

US00D983634S

(12) **United States Design Patent** (10) **Patent No.:** **US D983,634 S**
Chiang (45) **Date of Patent:** **** Apr. 18, 2023**

(54) **TUBE CUTTER**
(71) Applicant: **Hanlong Industrial Co., Ltd.**, New Taipei (TW)
(72) Inventor: **Wan-Yu Chiang**, New Taipei (TW)
(73) Assignee: **Hanlong Industrial Co., Ltd.**, New Taipei (TW)
(**) Term: **15 Years**

D693,196 S * 11/2013 Hutchfield D8/51
D693,197 S * 11/2013 Hutchfield D8/51
D693,198 S * 11/2013 Hutchfield D8/51
D713,707 S * 9/2014 Glockseisen D8/70
D749,391 S * 2/2016 Payne D8/98
D763,049 S * 8/2016 Lin D8/55
D796,287 S * 9/2017 Groten D8/60
D796,288 S * 9/2017 Groten D8/60
D826,666 S * 8/2018 Zhang D8/55
D885,159 S * 5/2020 Bar D8/105
D887,244 S * 6/2020 Bar D8/105

(Continued)

(21) Appl. No.: **29/764,831**

OTHER PUBLICATIONS

(22) Filed: **Jan. 4, 2021**

Micro Duct Tube, by Hanlong on hanlongtools.com. No date available. Found online [Oct. 3, 2022]. <http://hanlongtools.com/product-detail.php?id=161&cateId=23>.*

(51) **LOC (14) Cl.** **08-03**

(52) **U.S. Cl.**
USPC **D8/60**

(Continued)

(58) **Field of Classification Search**
USPC ... D8/60, 61, 62, 68, 69, 70, 71, 51, 55, 98, D8/105, 16, 449; D32/15, 17, 19; D3/24, 25, 207, 208, 210
CPC . B43M 7/007; B26B 5/00; B26B 3/04; B26B 3/08; B26B 3/00; B26B 29/00; B23D 61/006; B23D 65/00; B26D 7/086; B26D 7/2614; B25D 16/006; B25D 17/24; B25D 2211/003; B25D 2211/068; B25D 2250/065

Primary Examiner — Eliza Z Harvey
Assistant Examiner — Kayla Marie Bennett
(74) *Attorney, Agent, or Firm* — Alan D. Kamrath; Karin L. Williams; Mayer & Williams PC

See application file for complete search history.

(57) **CLAIM**

The ornamental design for a tube cutter, as shown and described.

(56) **References Cited**

DESCRIPTION

U.S. PATENT DOCUMENTS

D369,533 S * 5/1996 Luttmmer D8/52
D376,082 S * 12/1996 Adler D8/51
D408,239 S * 4/1999 Steiner D8/54
D472,119 S * 3/2003 Burrows D8/52
D521,340 S * 5/2006 Lin D8/68
D557,579 S * 12/2007 Steiner D8/52
D583,208 S * 12/2008 Huang D8/60
D584,584 S * 1/2009 Pieper D8/105
D600,995 S * 9/2009 Forsythe D8/48
D603,672 S * 11/2009 Baxter D8/5

FIG. 1 is a perspective view of a tube cutter, in accordance with the new design;
FIG. 2 is a front view thereof;
FIG. 3 is a rear view thereof;
FIG. 4 is a left view thereof;
FIG. 5 is a right view thereof;
FIG. 6 is a top view thereof; and,
FIG. 7 is a bottom view thereof.
The broken lines depict portions of the tube cutter that form no part of the claimed design.

1 Claim, 6 Drawing Sheets



(56)

References Cited

U.S. PATENT DOCUMENTS

D896,050 S * 9/2020 Heinsohn D8/52
D942,234 S * 2/2022 Zeng D8/51
2005/0050740 A1* 3/2005 Lin B26F 1/36
30/358

OTHER PUBLICATIONS

HT310C Fiber Micro Duct Cutter, by Hanlong on Youtube.com.
Nov. 15, 2021. Found online [Oct. 3, 2022]. <https://www.youtube.com/watch?v=9crORB7yFVs&t=1s>.*

* cited by examiner



FIG. 1

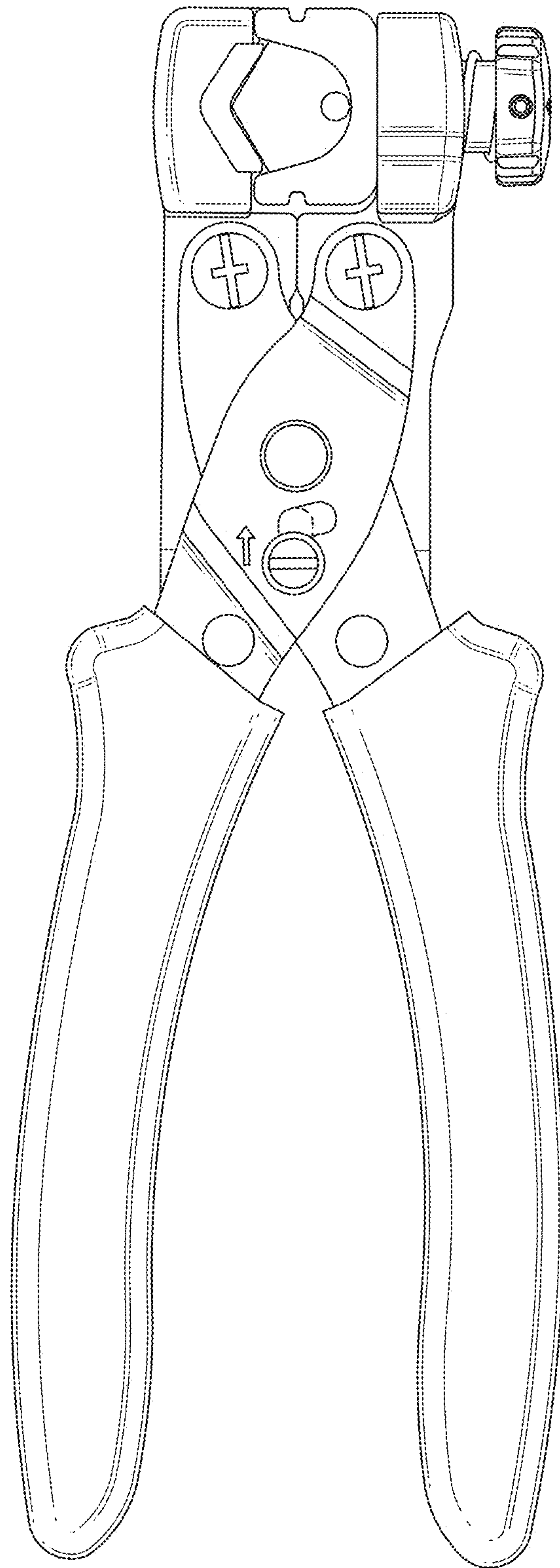


FIG. 2

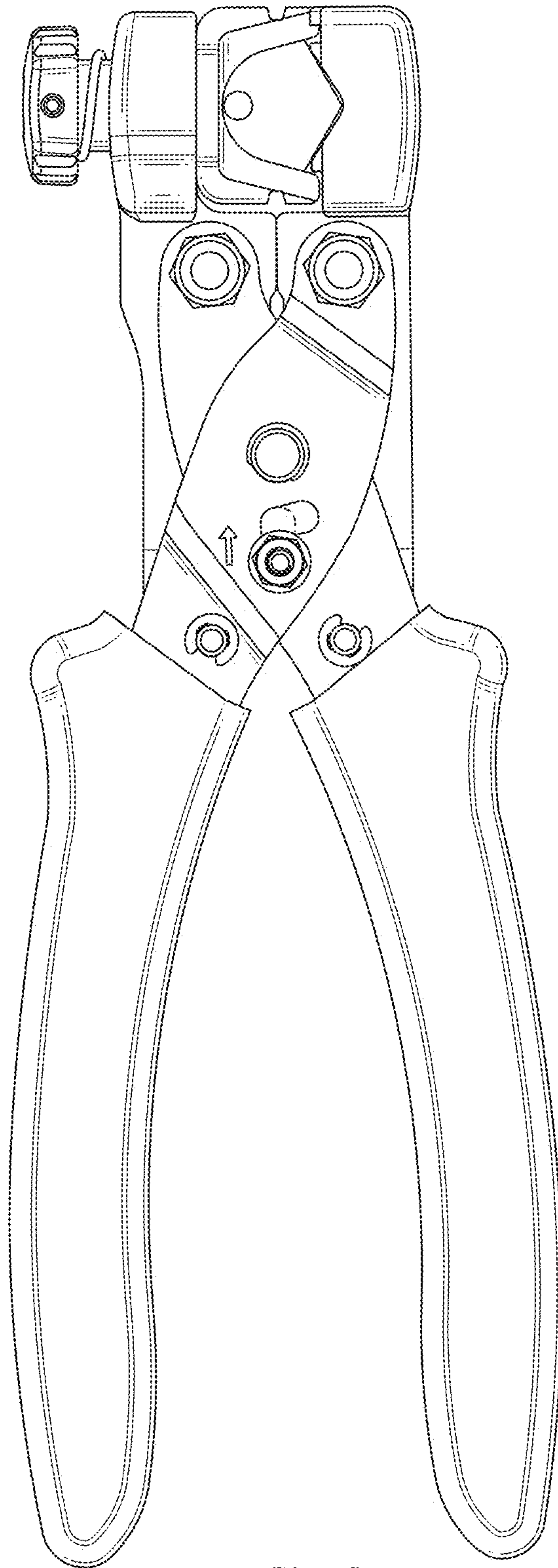


FIG. 3

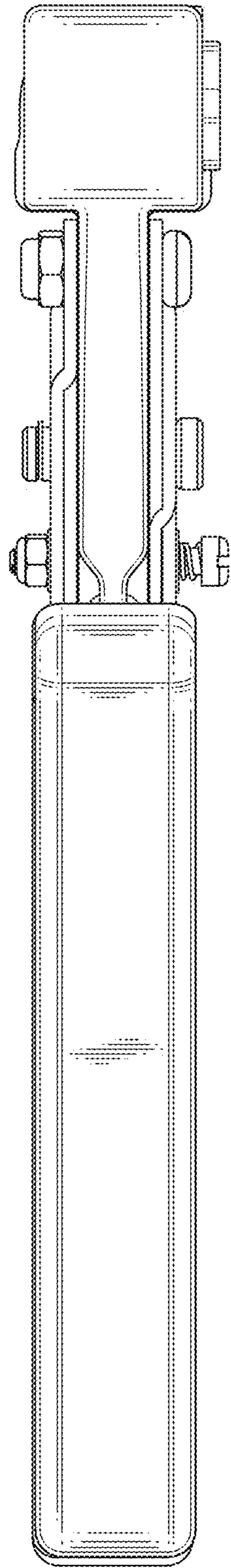


FIG. 4

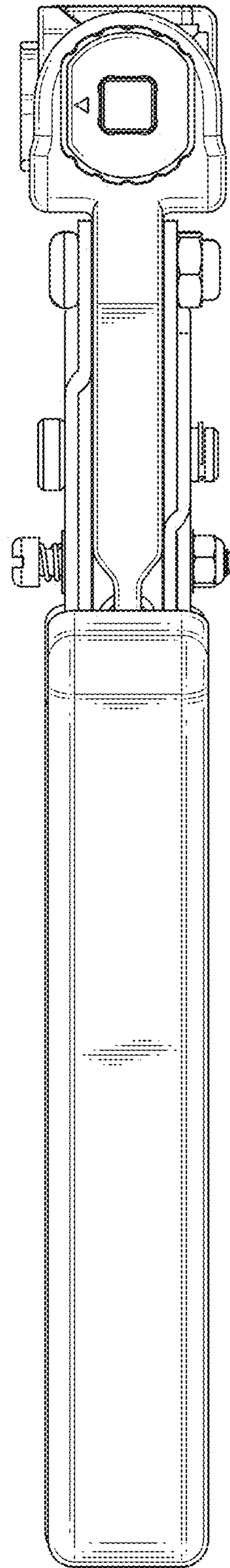


FIG. 5

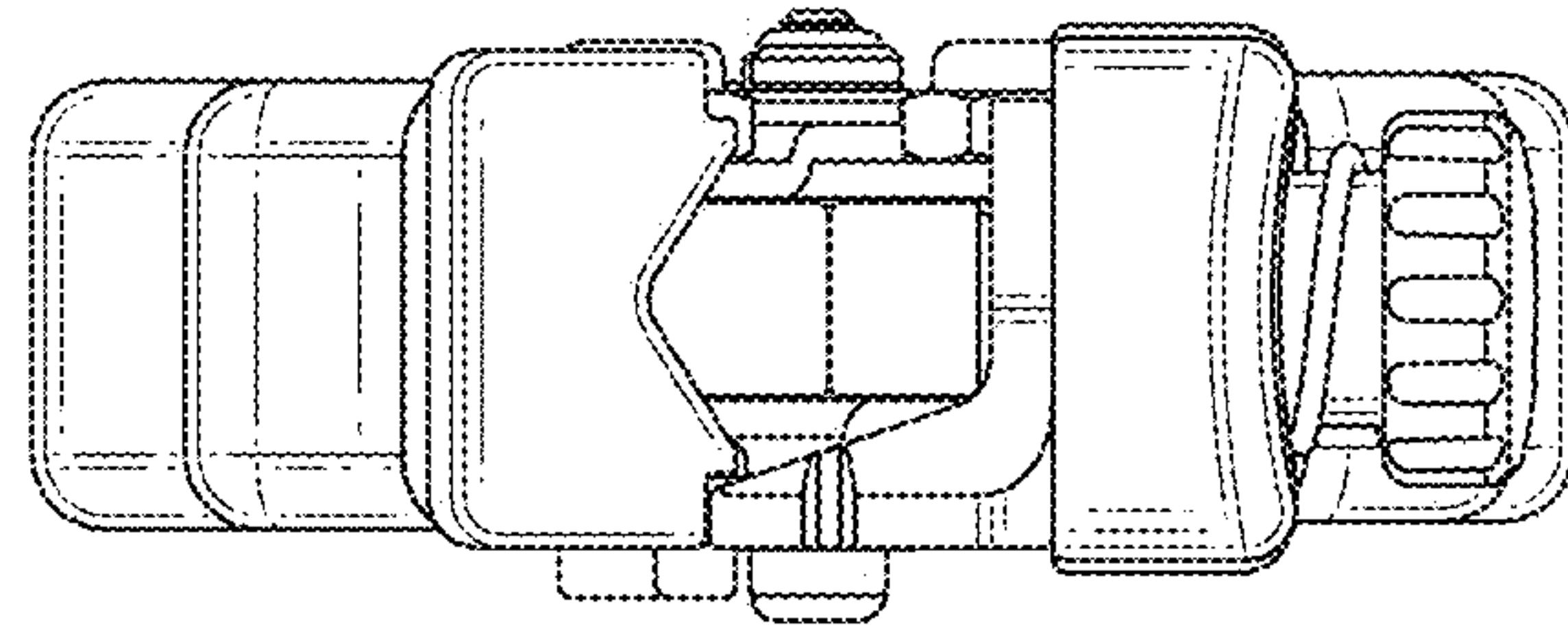


FIG. 6

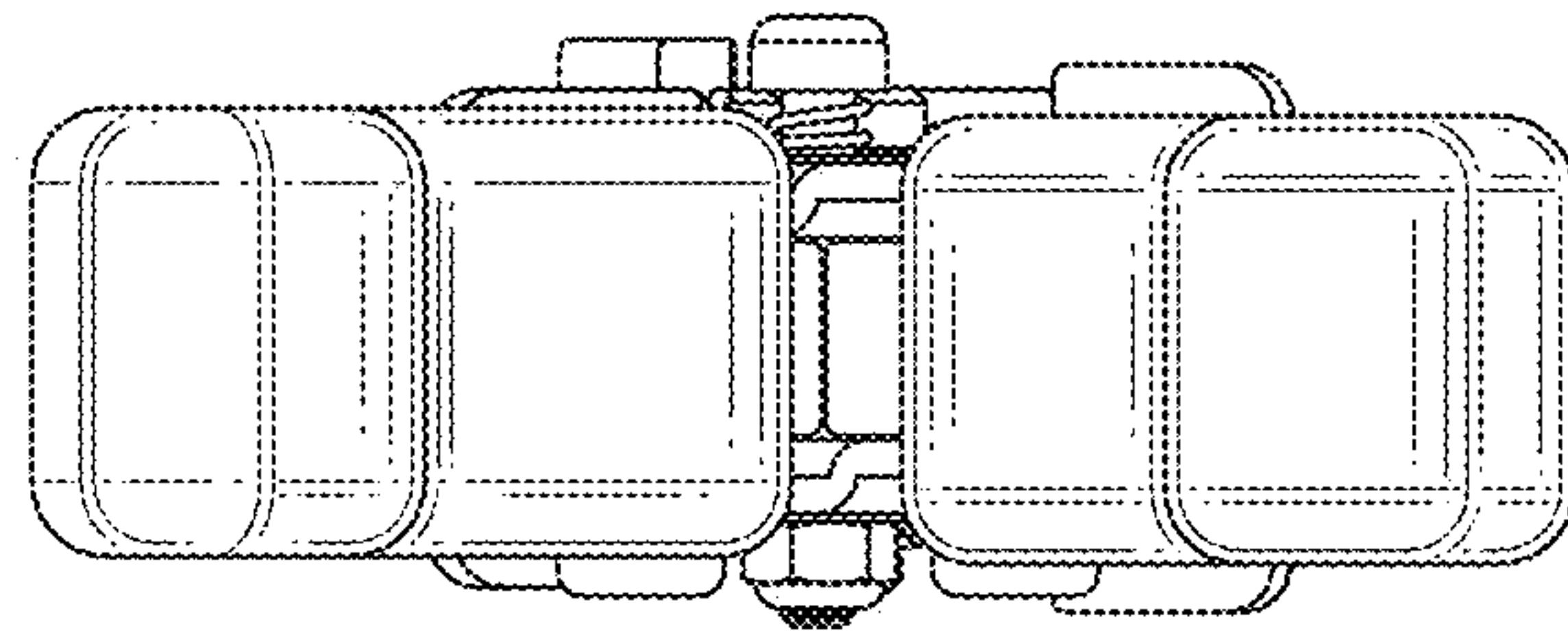


FIG. 7