



US00D983632S

(12) **United States Design Patent** (10) **Patent No.:** **US D983,632 S**
Chang (45) **Date of Patent:** **** Apr. 18, 2023**

(54) **SCISSORS BLADE**
(71) Applicant: **C. Jet INTL CO., LTD.**, Taichung (TW)
(72) Inventor: **Yin-Chi Chang**, Taichung (TW)
(**) Term: **15 Years**
(21) Appl. No.: **29/798,570**
(22) Filed: **Jul. 8, 2021**
(51) **LOC (14) Cl.** **08-03**
(52) **U.S. Cl.**
USPC **D8/57**
(58) **Field of Classification Search**
USPC D8/4, 5, 21, 26, 51-58, 92, 93, 105;
D22/149, 150; D24/146, 148, 149
CPC H02G 1/1209; B25B 7/02; B25B 7/14;
B25B 7/22; B25C 11/02; B25C 11/00;
A61B 17/076; A61B 17/03
See application file for complete search history.

D802,385 S * 11/2017 Sokka D8/5
D962,737 S * 9/2022 He D8/57
D972,387 S * 12/2022 He D8/57
2013/0091713 A1 * 4/2013 Wu A01G 3/02
30/254

OTHER PUBLICATIONS

C.Jet Tool, posted Aug. 15, 2020 [online], [retrieved Jan. 25, 2023]. Retrieved from internet, <https://www.amazon.com/C-JET-TOOL-Professional-Stainless-Multipurpose/dp/B08G442HMG/> (Year: 2020).*

* cited by examiner

Primary Examiner — David G Muller
Assistant Examiner — Christina Gabrielle Cosden
(74) *Attorney, Agent, or Firm* — Egbert, McDaniel & Swartz, PLLC

(57) **CLAIM**

The ornamental design for a scissors blade, as shown and described.

(56) **References Cited**

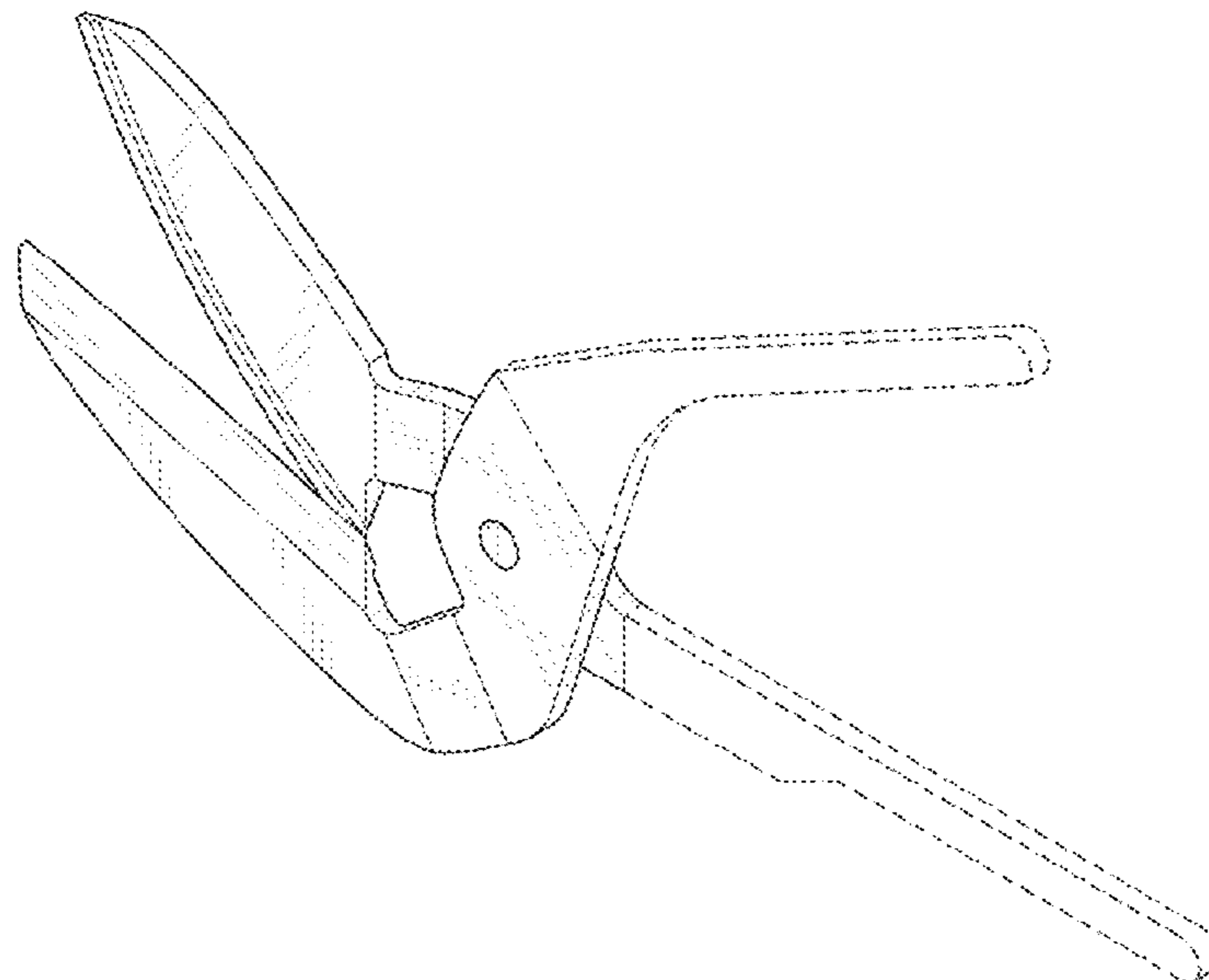
U.S. PATENT DOCUMENTS

D331,355 S * 12/1992 Viemeister D8/57
5,377,412 A * 1/1995 Schofield B26B 13/28
30/262
D537,311 S * 2/2007 Peterson D8/57
D565,373 S * 4/2008 Fazzi D8/57
D584,122 S * 1/2009 Caroca D8/57
D591,570 S * 5/2009 Lee D8/55
D592,923 S * 5/2009 Konopka D8/55
D594,723 S * 6/2009 Kim D8/57
D640,106 S * 6/2011 Molina D8/57
D642,035 S * 7/2011 Molina D8/57
D642,877 S * 8/2011 Bhasin D7/693
D646,944 S * 10/2011 Bhasin D8/57
D646,945 S * 10/2011 Bhasin D8/57
D651,493 S * 1/2012 Bhasin D8/57
D680,835 S * 4/2013 Bhasin D8/57
D786,039 S * 5/2017 Roberts D8/57

DESCRIPTION

FIG. 1 is a perspective view of a scissors blade showing my new design;
FIG. 2 is a side view thereof;
FIG. 3 is an opposite side view thereof;
FIG. 4 is a front view thereof;
FIG. 5 is a rear view thereof;
FIG. 6 is a top plan view thereof;
FIG. 7 is a bottom plan view thereof; and,
FIG. 8 is a cross sectional view taken along the line 8-8 shown in FIG. 2.
The broken lines in FIGS. 1-8 illustrate portions of the scissors blade that form no part of the claimed design.

1 Claim, 8 Drawing Sheets



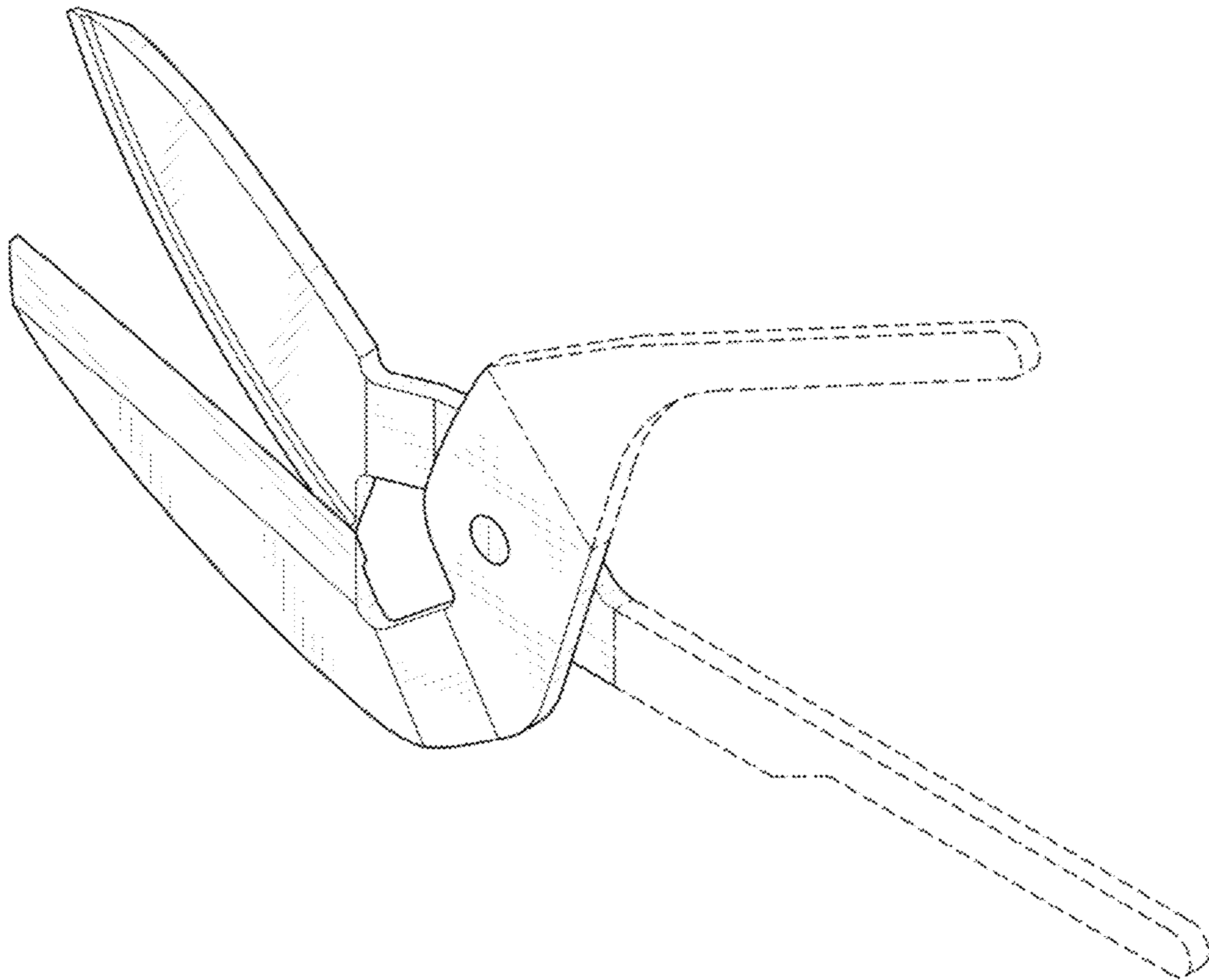


FIG.1

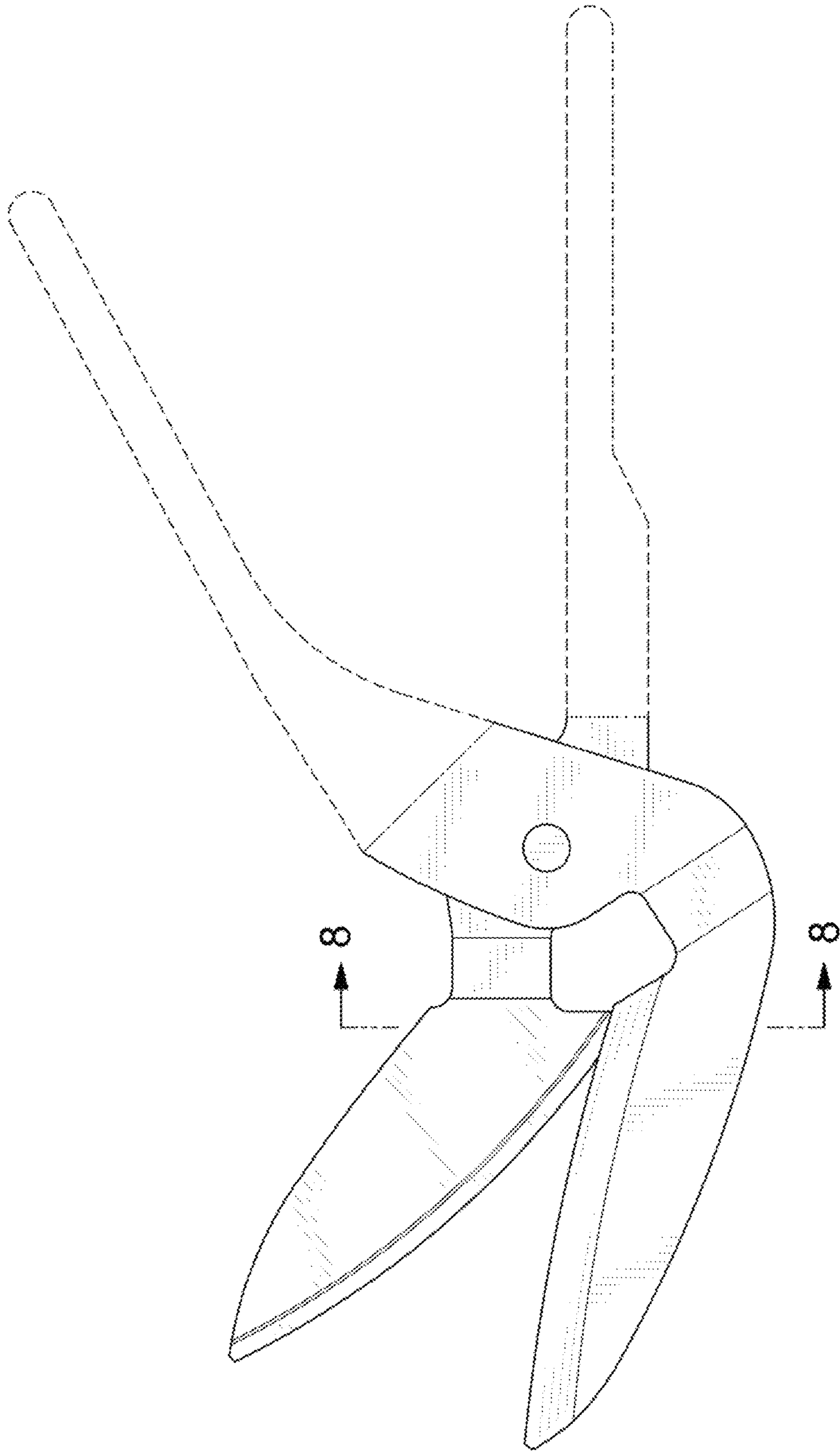


FIG.2

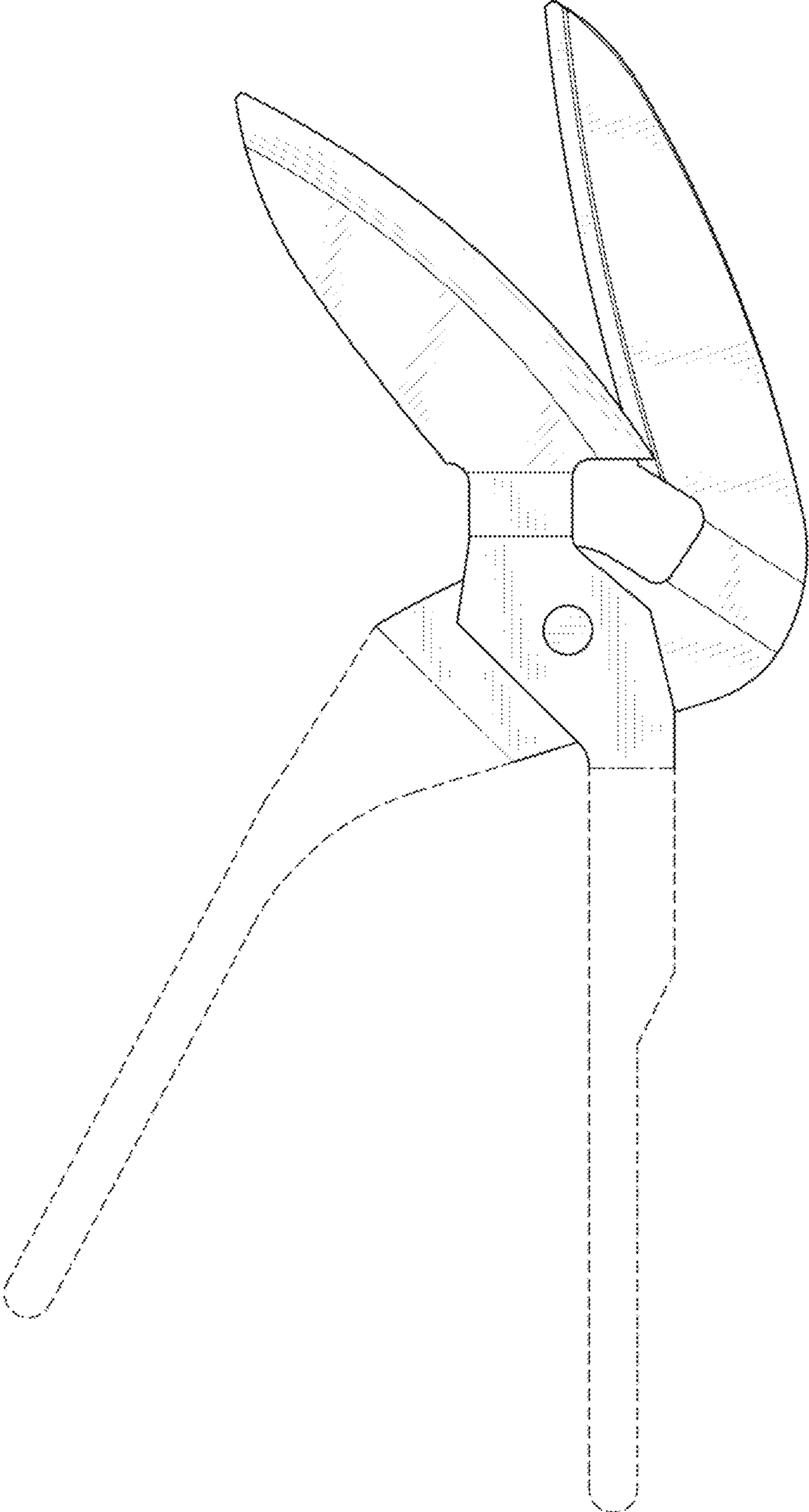


FIG.3

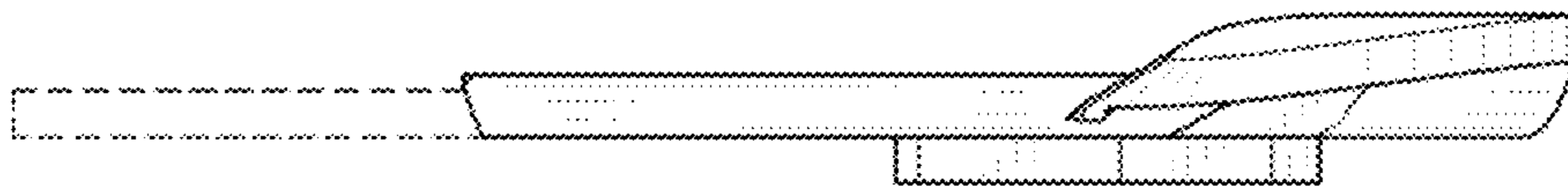


FIG.4

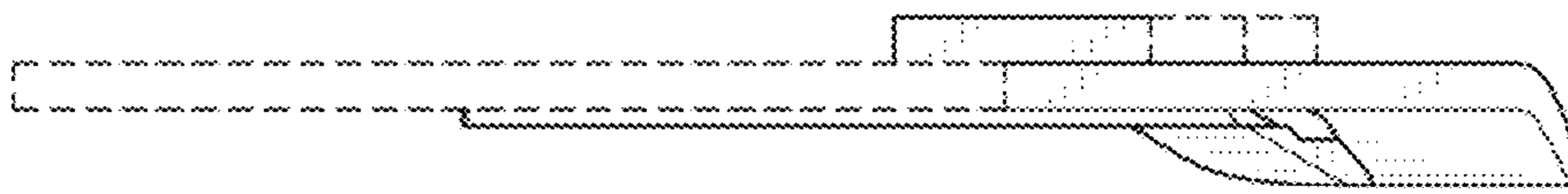


FIG.5

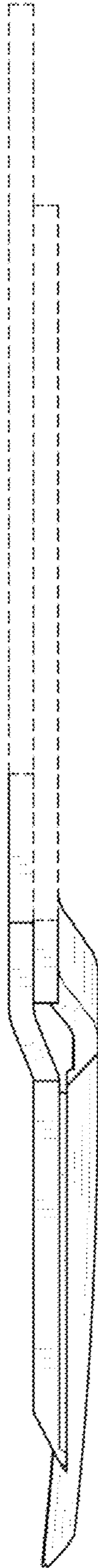


FIG.6



FIG.7

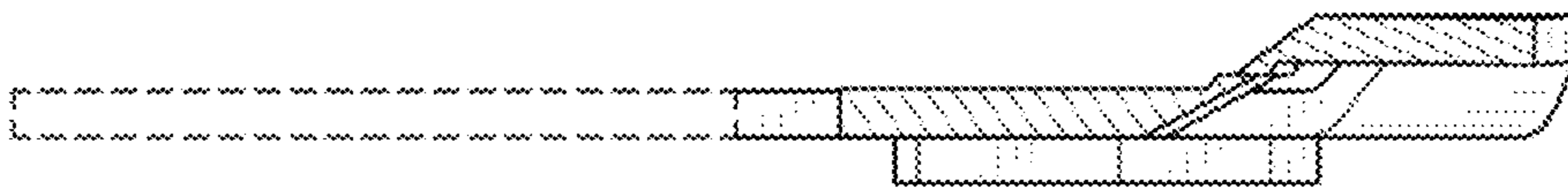


FIG.8