



US00D983627S

(12) United States Design Patent (10) Patent No.: US D983,627 S Blouin et al. (45) Date of Patent: ** Apr. 18, 2023

(54) **SHOVEL** 5,533,768 A * 7/1996 Mitchell B25G 1/01
294/54.5
(71) Applicant: **GARANT GP**, D393,991 S * 5/1998 Tisbo D8/10
Saint-François-de-la-Rivière-du-Sud D397,005 S * 8/1998 Whitehead D8/10
(CA) 5,951,078 A * 9/1999 Whitehead E01H 5/02
294/54.5

(Continued)

(72) Inventors: **Carl Blouin**, Lévis (CA);
Jean-Frédéric Beaudoin, Boisbriand
(CA); **Luc Bourgeois**, Terrebonne (CA)

FOREIGN PATENT DOCUMENTS

(73) Assignee: **GARANT GP**,
Saint-François-de-la-Rivière-du-Sud
(CA)

CN 301852008 * 3/2012
CN 301881227 * 4/2012

(Continued)

(**) Term: **15 Years**

OTHER PUBLICATIONS

(21) Appl. No.: **29/652,971**

Garant GP, YAG08D35, Grain Scoop, Aluminum Blade, Poly Handle, 80741, <https://www.garant.com/tools/s/winter-tools/snow-shovels/aluminum-snow-shovels/grain-scoop-aluminum-blade-poly-handle/>, Jan. 29, 2021.

(22) Filed: **Jan. 26, 2021**

(Continued)

(51) **LOC (14) Cl.** **08-01**

(52) **U.S. Cl.**
USPC **D8/10**

Primary Examiner — Sheryl Lane

(58) **Field of Classification Search**
USPC D8/9, 10; D21/532
CPC A01B 1/02; A01B 1/022; A01B 1/024;
A01B 1/028; A01B 1/04; A01B 1/222;
A01B 1/225; A01B 1/227; A01B 1/20;
E01H 5/02

Assistant Examiner — Ieisha N Price

(74) *Attorney, Agent, or Firm* — Lavery, De Billy, LLP;
Gwendoline Bruneau

See application file for complete search history.

(57) CLAIM

The ornamental design for a shovel, as shown and described.

(56) References Cited

DESCRIPTION

U.S. PATENT DOCUMENTS

1,898,590 A * 2/1933 Milligan A01B 1/02
76/113
3,186,750 A * 6/1965 Nelson A01B 1/02
294/59
D266,899 S * 11/1982 Moore D8/10
D267,468 S * 1/1983 Simms 294/54.5
D291,959 S * 9/1987 Eads D8/10
D328,553 S * 8/1992 Norton D8/10
D346,903 S * 5/1994 Hillmer D4/118
D360,564 S * 7/1995 Tisbo D8/10

FIG. 1 is a perspective view of a shovel showing our new design;

FIG. 2 is a front view thereof;

FIG. 3 is a back view thereof;

FIG. 4 is a side view thereof;

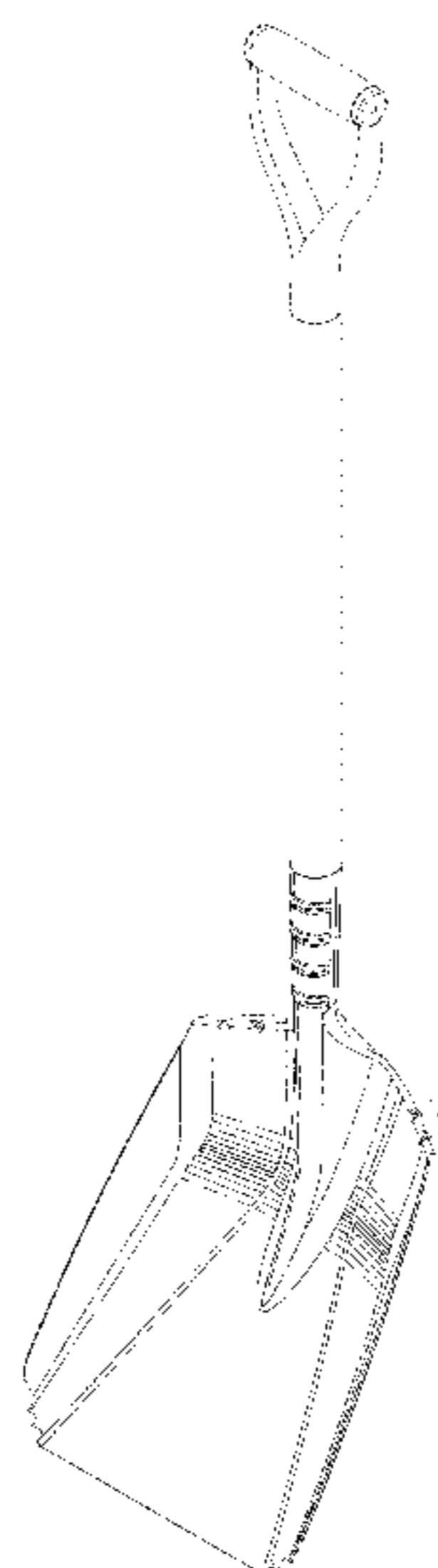
FIG. 5 is a side view thereof;

FIG. 6 is a top view thereof; and,

FIG. 7 is a bottom view thereof.

The broken lines in the drawings illustrate portions of the shovel and form no part of the claimed design.

1 Claim, 6 Drawing Sheets



(56)

References Cited

U.S. PATENT DOCUMENTS

6,412,843 B1 * 7/2002 Burbrink B25G 1/04
403/108
D487,680 S * 3/2004 Sickler D8/10
D546,645 S * 7/2007 Rosine D8/10
D553,920 S * 10/2007 Rosine D8/10
D673,822 S * 1/2013 Kopp D8/10
D676,723 S * 2/2013 Norwood D8/10
D708,495 S * 7/2014 Stein D8/10
D711,701 S * 8/2014 Hua D8/10
D711,702 S * 8/2014 Hua D8/10
D711,704 S * 8/2014 Hua D8/10
D758,152 S * 6/2016 Blouin D8/10
D766,053 S * 9/2016 Kunnas D8/10
D766,686 S * 9/2016 Kunnas D8/10
D788,551 S * 6/2017 Blouin D8/10
D847,591 S * 5/2019 Kopp D8/10
D862,182 S * 10/2019 Hua D8/10
D863,902 S * 10/2019 Hua D8/10
D875,485 S * 2/2020 Nieters D8/10
D905,515 S * 12/2020 Nieters D8/10
2005/0242598 A1 * 11/2005 Pin A01B 1/026
294/58
2007/0108782 A1 * 5/2007 Walker A01B 1/022
294/51
2007/0126250 A1 * 6/2007 Rosine A01B 1/02
294/51
2014/0237729 A1 * 8/2014 Saxton E01H 5/02
7/116
2014/0338231 A1 * 11/2014 Hung E01H 5/02
37/265
2015/0123413 A1 * 5/2015 Spataro E01H 5/02
294/54.5
2020/0190755 A1 * 6/2020 Werz E04H 15/02
2021/0243932 A1 * 8/2021 Hua E01H 5/02

FOREIGN PATENT DOCUMENTS

CN 303214167 * 5/2015
CN 303326582 * 8/2015
CN 303463176 * 11/2015
CN 306912957 * 11/2021
CN 307367370 * 5/2022
CN 307446563 * 7/2022
JP D1536010 * 10/2015
KR 300773428.0000 * 12/2014
RU 00123032 * 12/2020
WO WOD082827-001 * 2/2014

OTHER PUBLICATIONS

Garant GP, YA115D, Snow Shovel, Aluminum Blade, Steel D-Grip, 80642, <https://www.garant.com/tools/s/winter-tools/snow-shovels/aluminum-snow-shovels/snow-shovel-aluminum-blade-steel-d-grip/>, Jan. 29, 2021.
Garant GP, YA115L, Snow Shovel, Aluminum Handle, 11" Aluminum Blade, 80643, <https://www.garant.com/tools/s/winter-tools/snow-shovels/aluminum-snow-shovels/snow-shovel-aluminum-handle-11-aluminum-blade/>, Jan. 29, 2021.
Garant GP, AA110DS, Snow Shovel, 11" Aluminum Blade, 80638, <https://www.garant.com/tools/s/winter-tools/snow-shovels/aluminum-snow-shovels/snow-shovel-11-aluminum-blade-4/>, Jan. 29, 2021.
Garant GP, NA110LS, Snow Shovel, 11" Aluminum Blade, 78045, <https://www.garant.com/tools/s/winter-tools/snow-shovels/aluminum-snow-shovels/snow-shovel-11-aluminum-blade/>, Jan. 29, 2021.
Garant GP, LA110D, Snow Shovel, 11" Aluminum Blade, 80626, <https://www.garant.com/tools/s/winter-tools/snow-shovels/aluminum-snow-shovels/snow-shovel-11-aluminum-blade-2/>, Jan. 29, 2021.
Garant GP, LA110L, Snow Shovel, 11" Aluminum Blade, 80627, <https://www.garant.com/tools/s/winter-tools/snow-shovels/aluminum-snow-shovels/snow-shovel-11-aluminum-blade-3/>, Jan. 29, 2021.

* cited by examiner

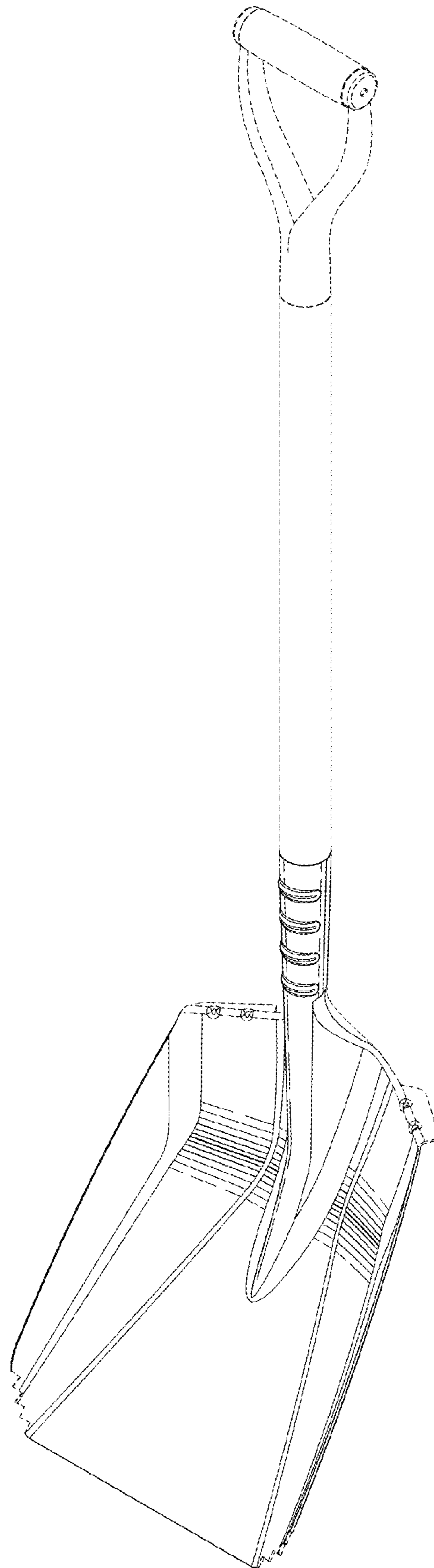
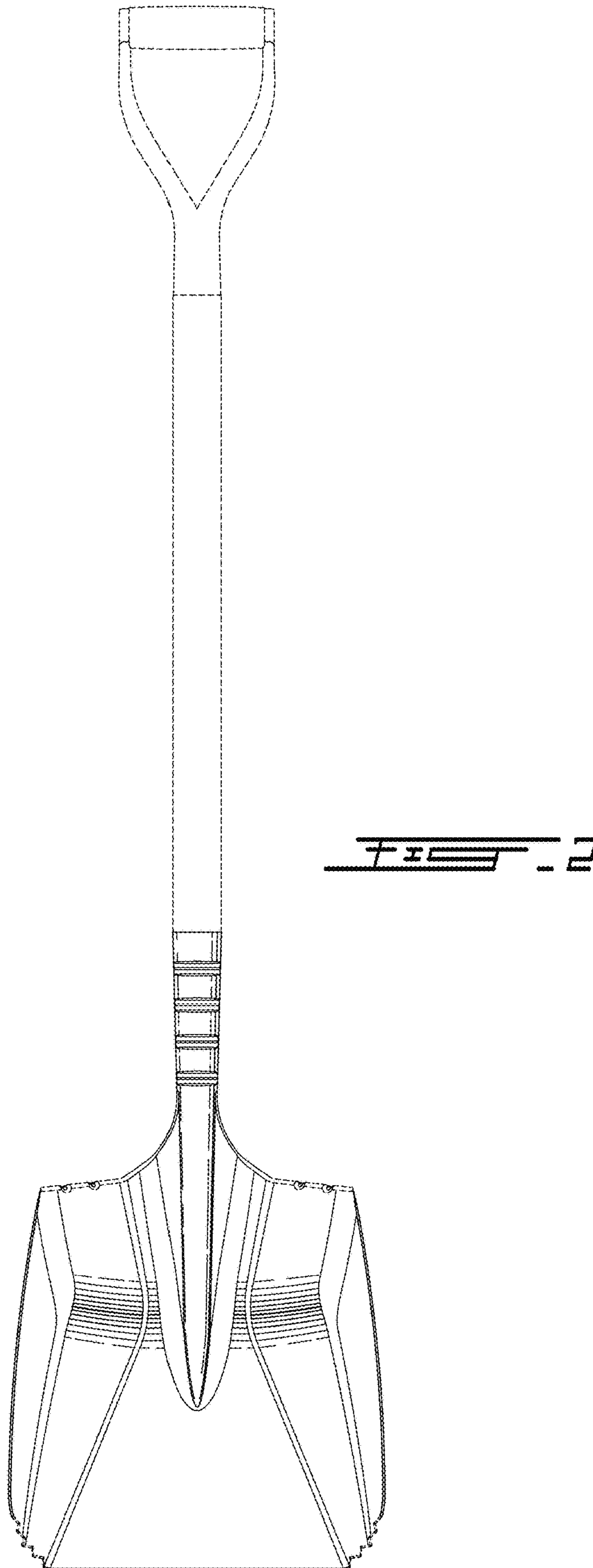


FIG. 1



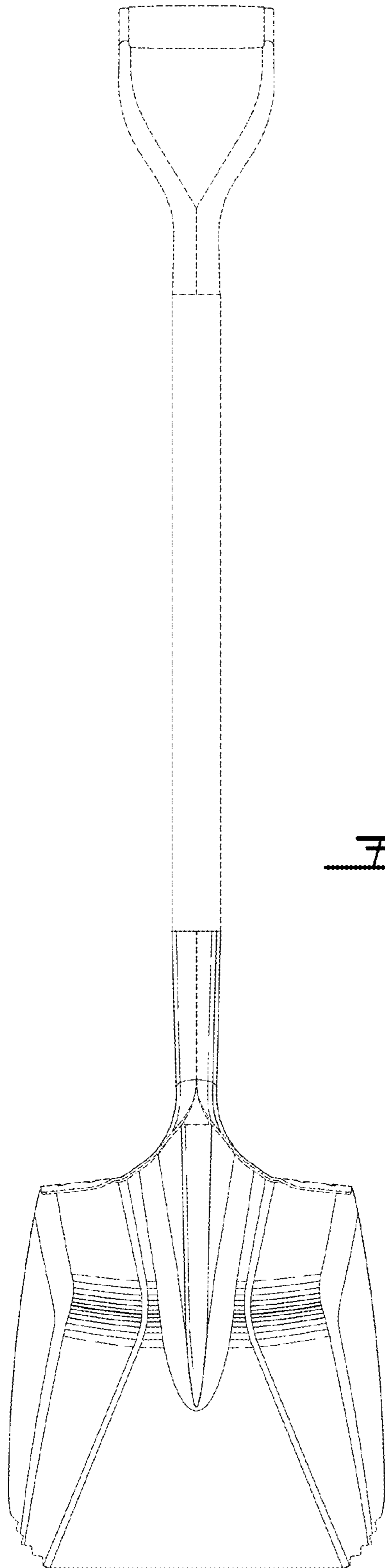


FIG. 3

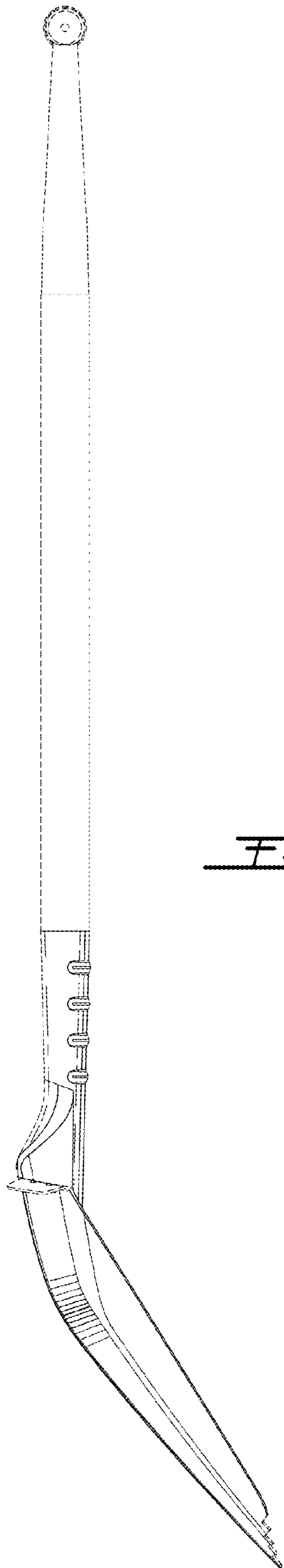
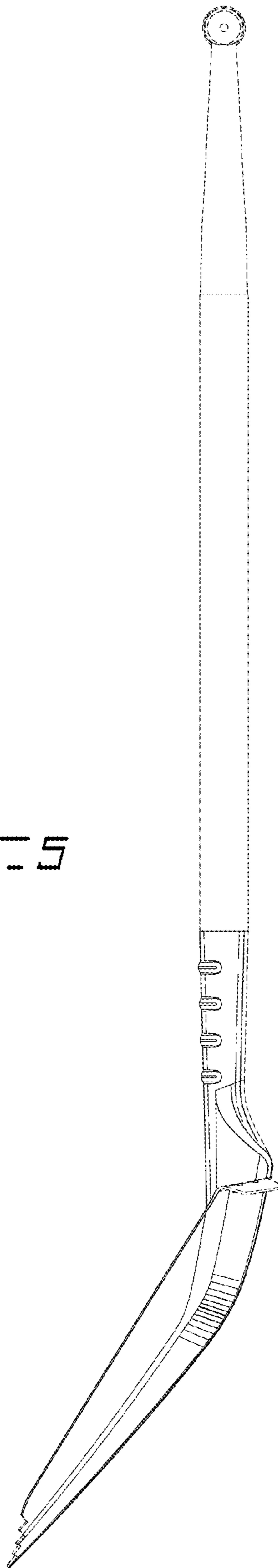


FIG. 4

FIG. 5



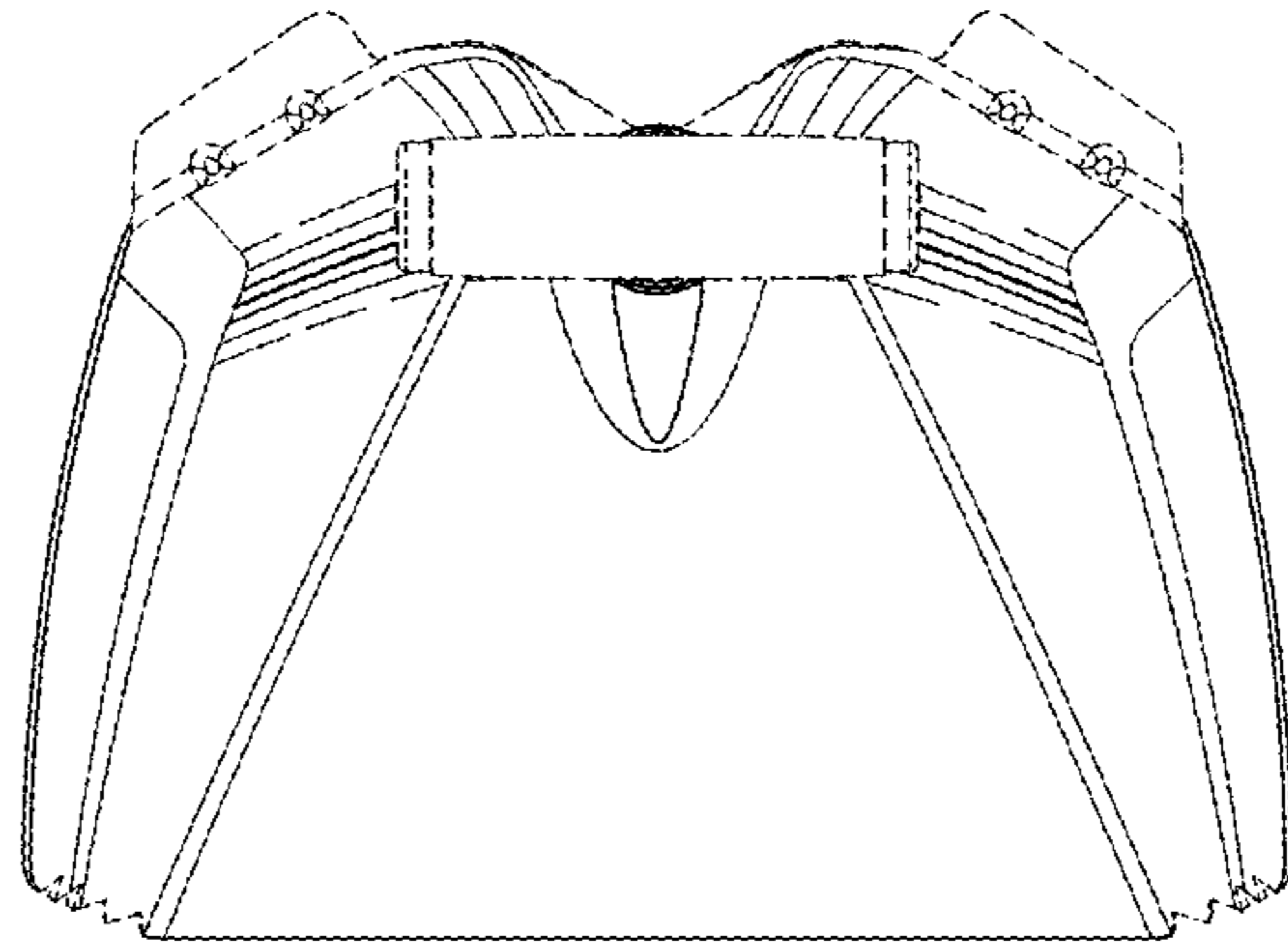


FIG. 6

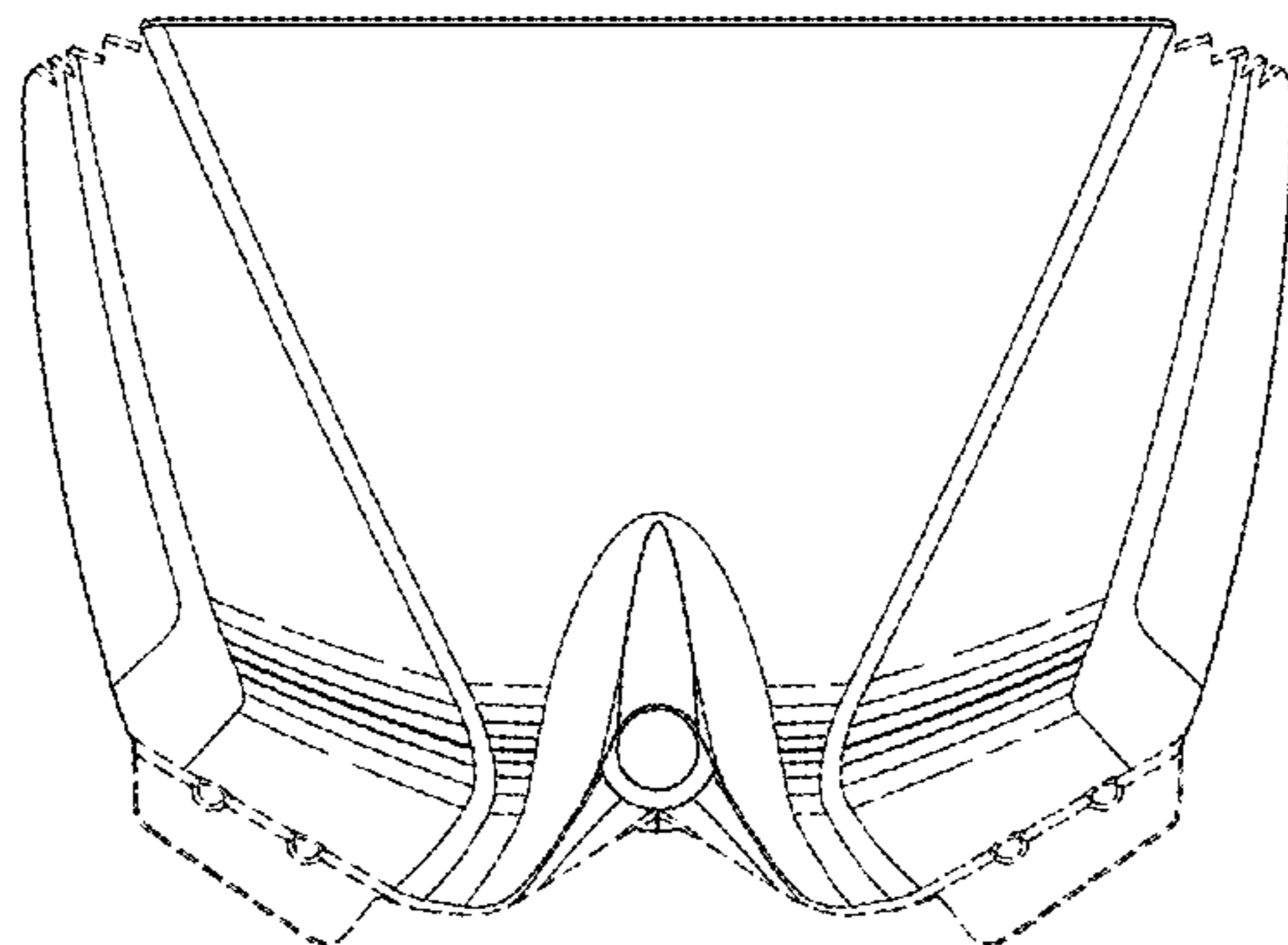


FIG. 7