



US00D983626S

(12) **United States Design Patent** (10) **Patent No.:** **US D983,626 S**
Li (45) **Date of Patent:** **** Apr. 18, 2023**

(54) **LUNCH BOX**

(71) Applicant: **Yunye Li**, Taizhou (CN)

(72) Inventor: **Yunye Li**, Taizhou (CN)

(**) Term: **15 Years**

(21) Appl. No.: **29/859,272**

(22) Filed: **Nov. 9, 2022**

(51) **LOC (14) Cl.** **07-07**

(52) **U.S. Cl.**

USPC **D7/703**; D7/629

(58) **Field of Classification Search**

USPC D3/201, 203.6, 203.8, 260, 283, 295,
D3/310, 311, 901, 903, 905; D7/553.2,
D7/553.4, 553.5, 554.3, 555, 560, 602,
D7/605, 607, 608, 629, 630, 701, 703,
D7/708, 708.1; D9/420, 517, 533,
D9/537-540, 565

CPC ... A45C 11/20; A45C 13/005; A45C 13/1084;
B65D 1/10; B65D 25/04; B65D
2543/00101; B65D 2543/00194; B65D
2543/00296; B65D 5/2047; B65D 81/34;
B65D 81/3813

See application file for complete search history.

(56) **References Cited**

U.S. PATENT DOCUMENTS

| | | | | |
|----------------|---------|------------|-------|------------|
| D251,214 S * | 2/1979 | Coleman | | D3/904 |
| D313,505 S * | 1/1991 | Leopoldi | | D3/295 |
| D353,518 S * | 12/1994 | Cautereels | | D30/129 |
| D464,196 S * | 10/2002 | Parker | | D3/273 |
| D472,774 S * | 4/2003 | Pelstring | | D7/629 |
| D605,896 S * | 12/2009 | Zalewski | | D7/553.1 |
| D698,206 S * | 1/2014 | Molayem | | D7/629 |
| D764,237 S * | 8/2016 | Yen | | B65D 43/16 |
| | | | | D7/629 |
| 9,414,701 B1 * | 8/2016 | Yen | | B65D 43/16 |

| | | | | |
|-----------------|--------|-------|-------|-----------|
| D814,885 S * | 4/2018 | Casey | | D7/629 |
| 10,005,573 B2 * | 6/2018 | Miros | | B65B 7/26 |
| D829,066 S | 9/2018 | Xu | | |

(Continued)

FOREIGN PATENT DOCUMENTS

| | | | |
|----|-----------|---|--------|
| CN | 305816696 | * | 6/2020 |
| CN | 307231177 | * | 4/2022 |

(Continued)

OTHER PUBLICATIONS

Waksox, "Waksox Bento Lunch Box," Apr. 22, 2022, Amazon.ca, www.amazon.ca/WAKSOX-Containers-Compartments-Thermos-Insulated/dp/B09YLXVMY7 (Year: 2022).*

(Continued)

Primary Examiner — Joseph Kukella

Assistant Examiner — Arva P Adams

(57)

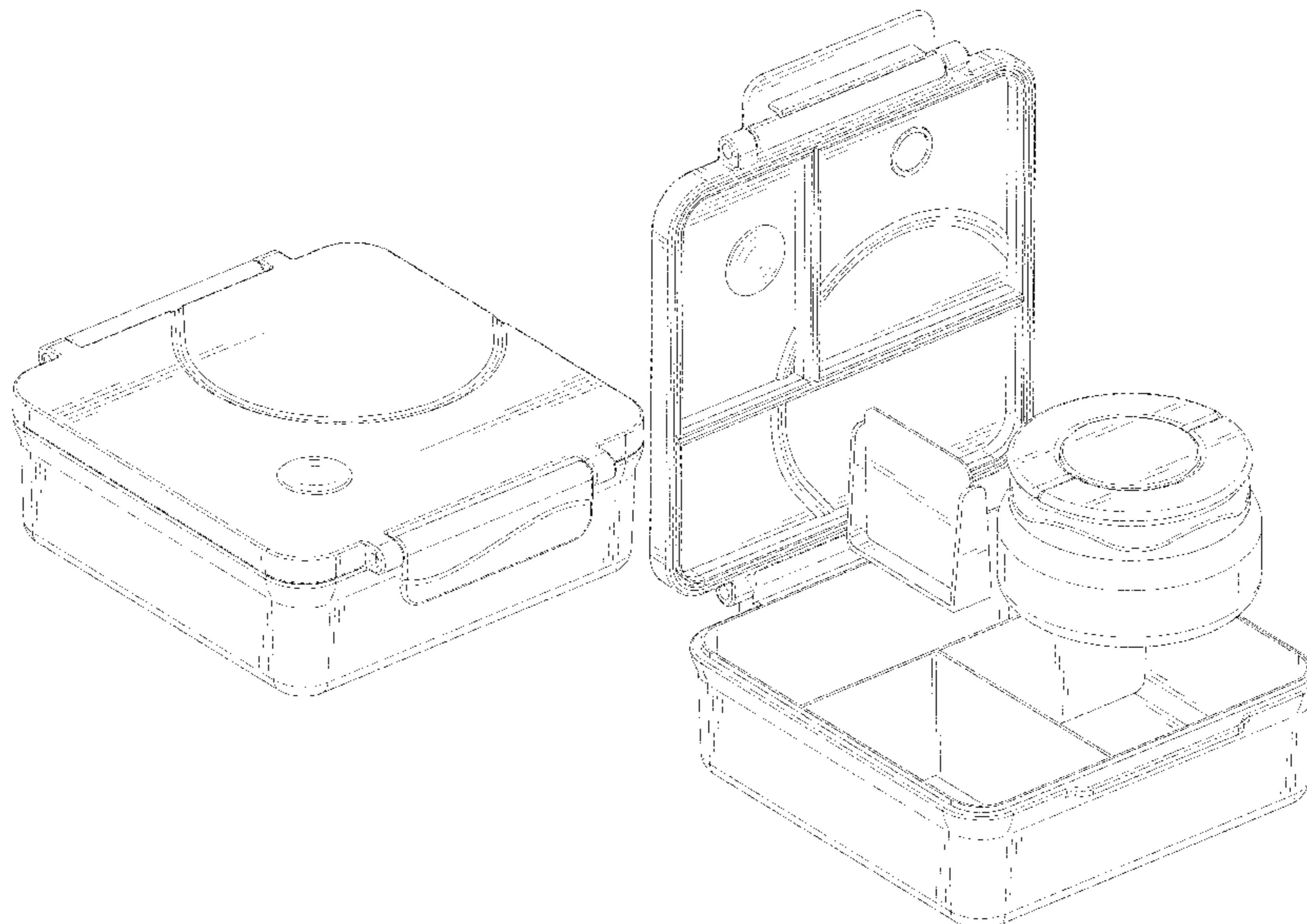
CLAIM

The ornamental design for a lunch box, as shown and described.

DESCRIPTION

FIG. 1 is a front, left, and top perspective view of a lunch box, showing my new design;
FIG. 2 is a rear, left, and bottom perspective view thereof;
FIG. 3 is a front elevational view thereof;
FIG. 4 is a rear elevational view thereof;
FIG. 5 is a left elevational view thereof;
FIG. 6 is a right elevational view thereof;
FIG. 7 is a top plan view thereof;
FIG. 8 is a bottom plan view thereof;
FIG. 9 is a front, left, and top perspective view thereof, when opened; and,
FIG. 10 is an exploded perspective view thereof, when opened.
The broken lines depict portions of the lunch box that form no part of the claimed design.

1 Claim, 10 Drawing Sheets



(56)

References Cited

U.S. PATENT DOCUMENTS

D866,268 S * 11/2019 Tan D7/709
 D874,920 S * 2/2020 Lindsay D9/420
 D880,956 S 4/2020 Tan
 D880,957 S * 4/2020 Xu D7/629
 D881,653 S * 4/2020 Serrahima D7/602
 D903,443 S 12/2020 Gispert
 D911,117 S * 2/2021 Xu A45C 11/20
 D7/602
 D911,119 S * 2/2021 Zhong A45C 11/20
 D7/629
 D932,255 S 10/2021 Dinkheller
 D938,236 S * 12/2021 Yen D7/629
 D939,210 S * 12/2021 Glines D3/289
 D944,608 S * 3/2022 Lu B65B 7/26
 D7/703
 D951,727 S * 5/2022 Zhong D7/703
 D953,129 S 5/2022 Swartz et al.
 D960,663 S 8/2022 Chung
 D962,020 S * 8/2022 Zhang D7/703
 D963,436 S 9/2022 Chen

D968,169 S * 11/2022 Wang D7/553.2
 2011/0114526 A1 * 5/2011 Neumann A45C 11/20
 206/459.5
 2020/0337428 A1 * 10/2020 Lane A45C 11/20

FOREIGN PATENT DOCUMENTS

CN 307468108 * 7/2022
 GB 6242350 * 11/2022
 ID D0000006057-0001 * 4/2004

OTHER PUBLICATIONS

“Two Temperature Zones Lunch Box with Thermos Food Jar,”
 Accessed Dec. 17, 2022, Alibaba.com, www.alibaba.com/product-detail/Two-Temperature-Zones-Lunch-Box-with_62390105280.html (Year: 2022).
 Tallarico, Maria, “8 bento-box style lunch kits for the back-to-school lunch rush,” Aug. 16, 2022, Richmond News, www.richmond-news.com/endorsed/best-back-to-school-bento-box-lunch-kits-canada-4205086 (Year: 2022).

* cited by examiner

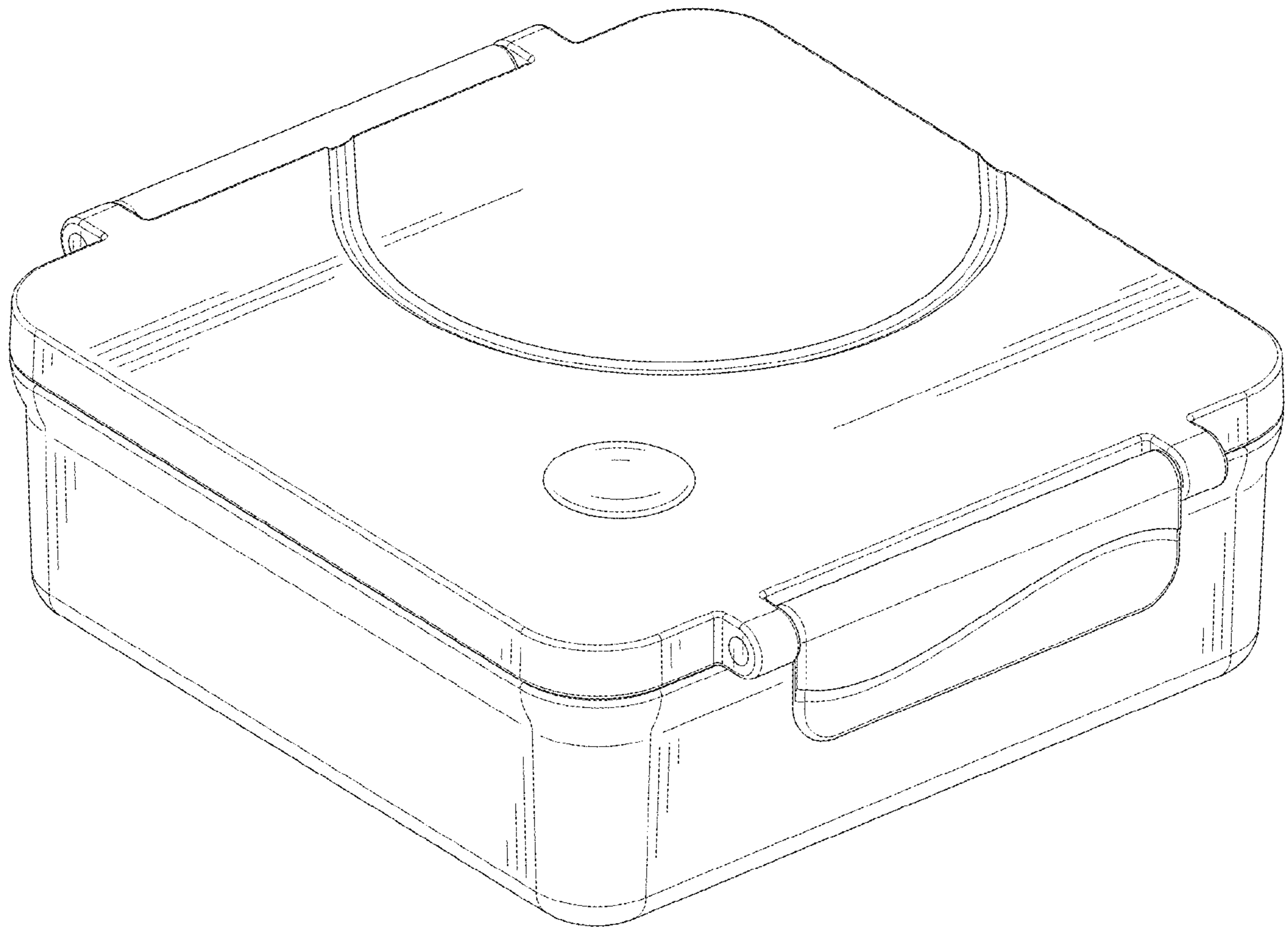


FIG. 1

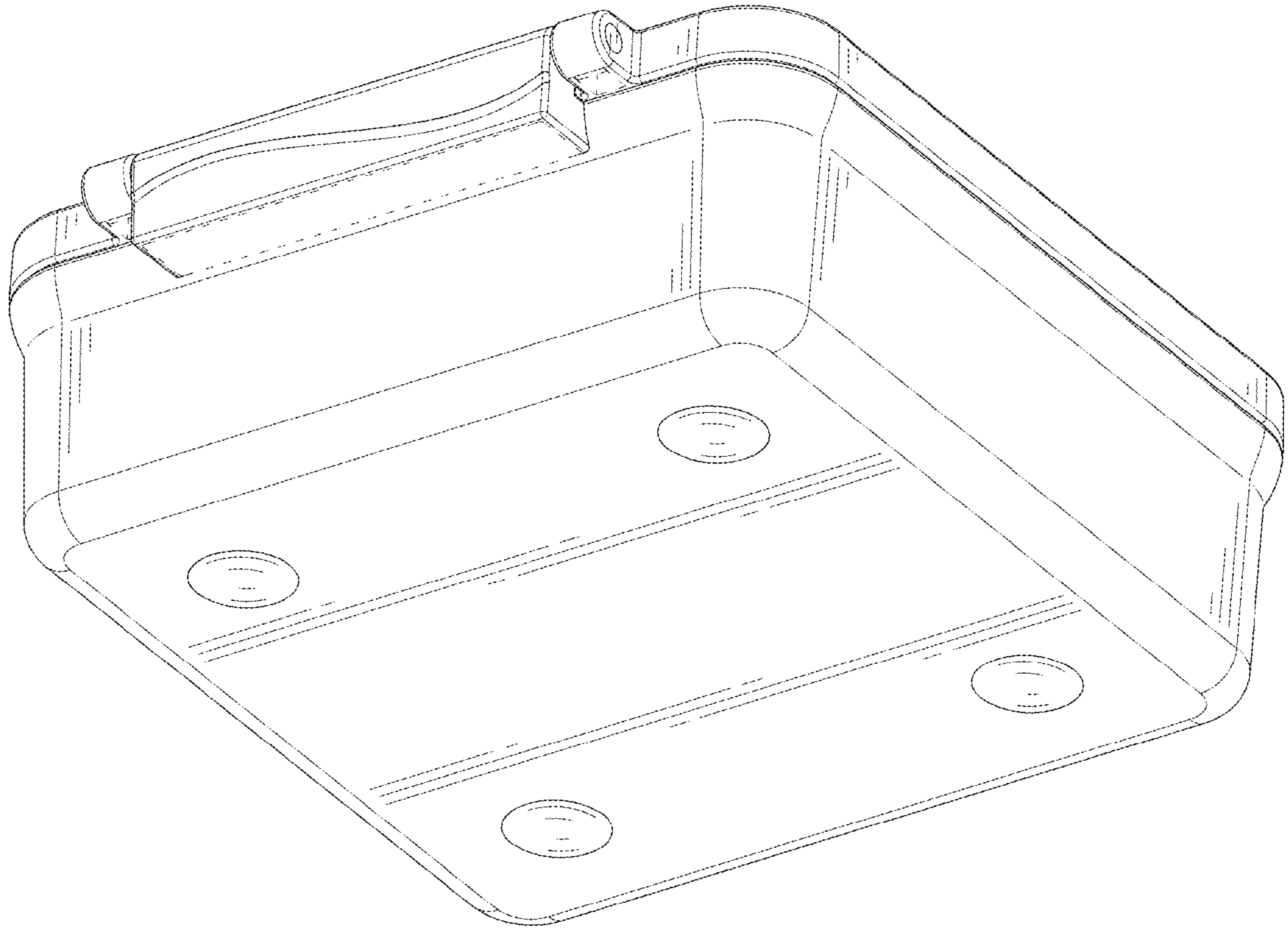


FIG. 2

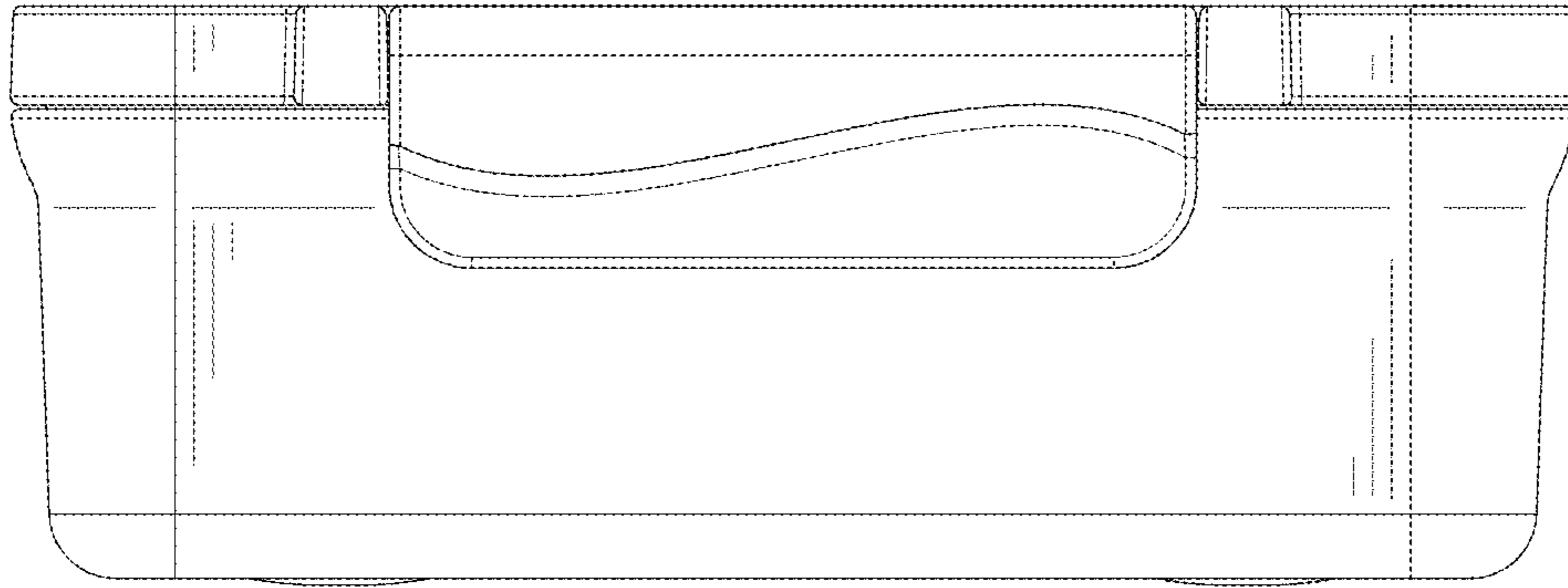


FIG. 3

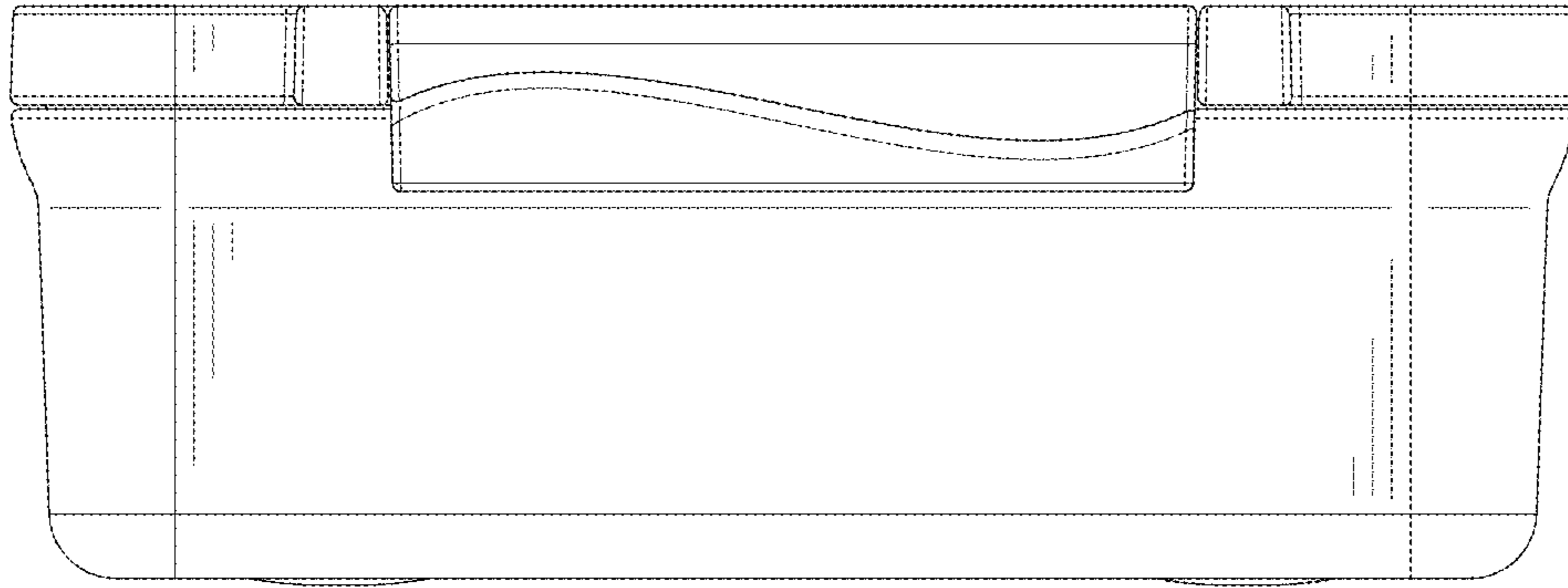


FIG. 4

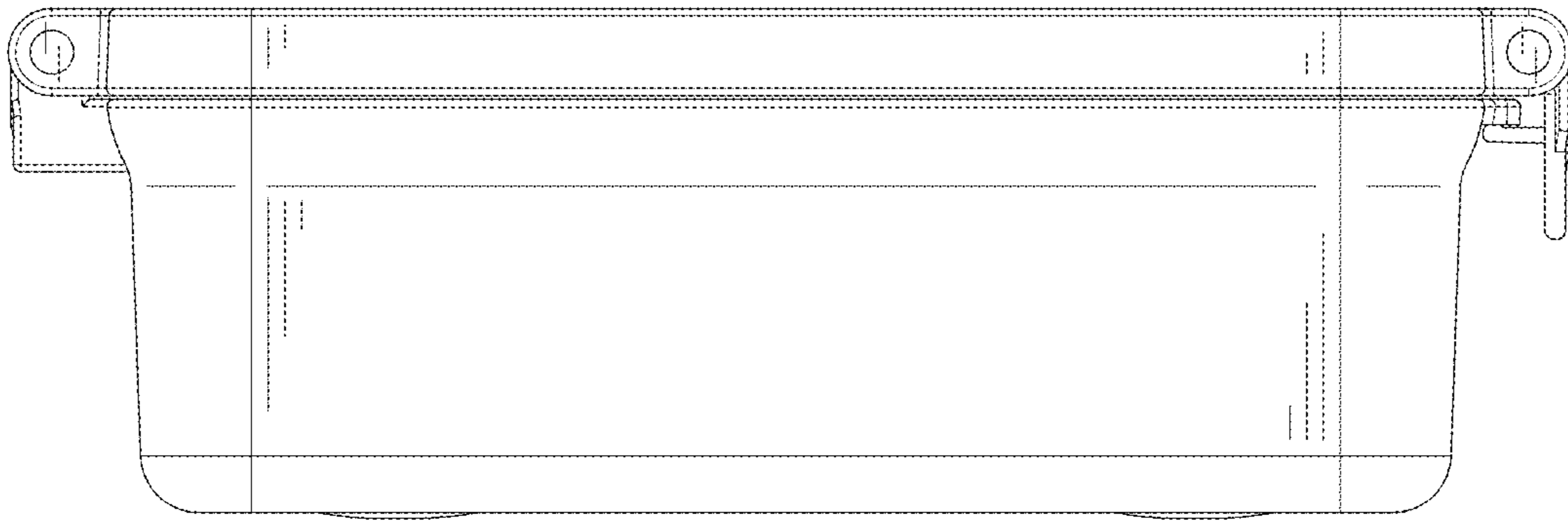


FIG. 5

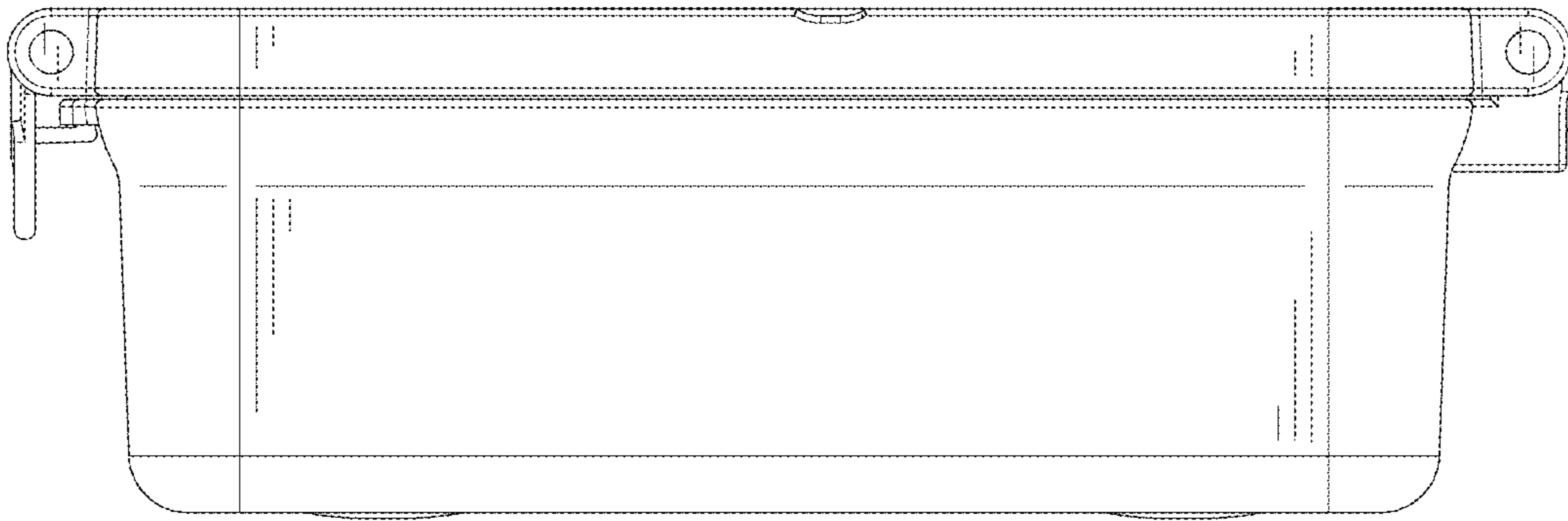


FIG. 6

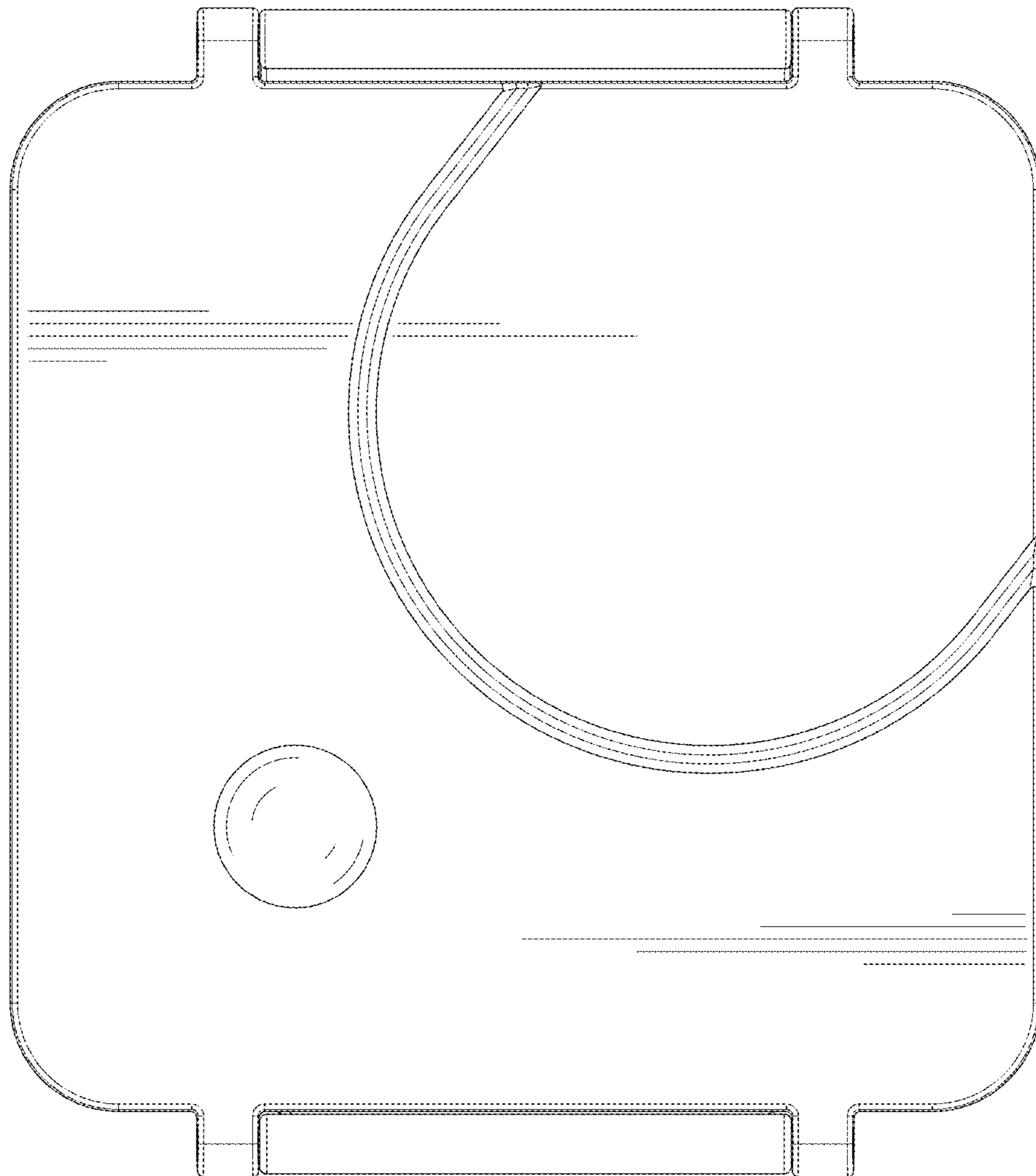


FIG. 7

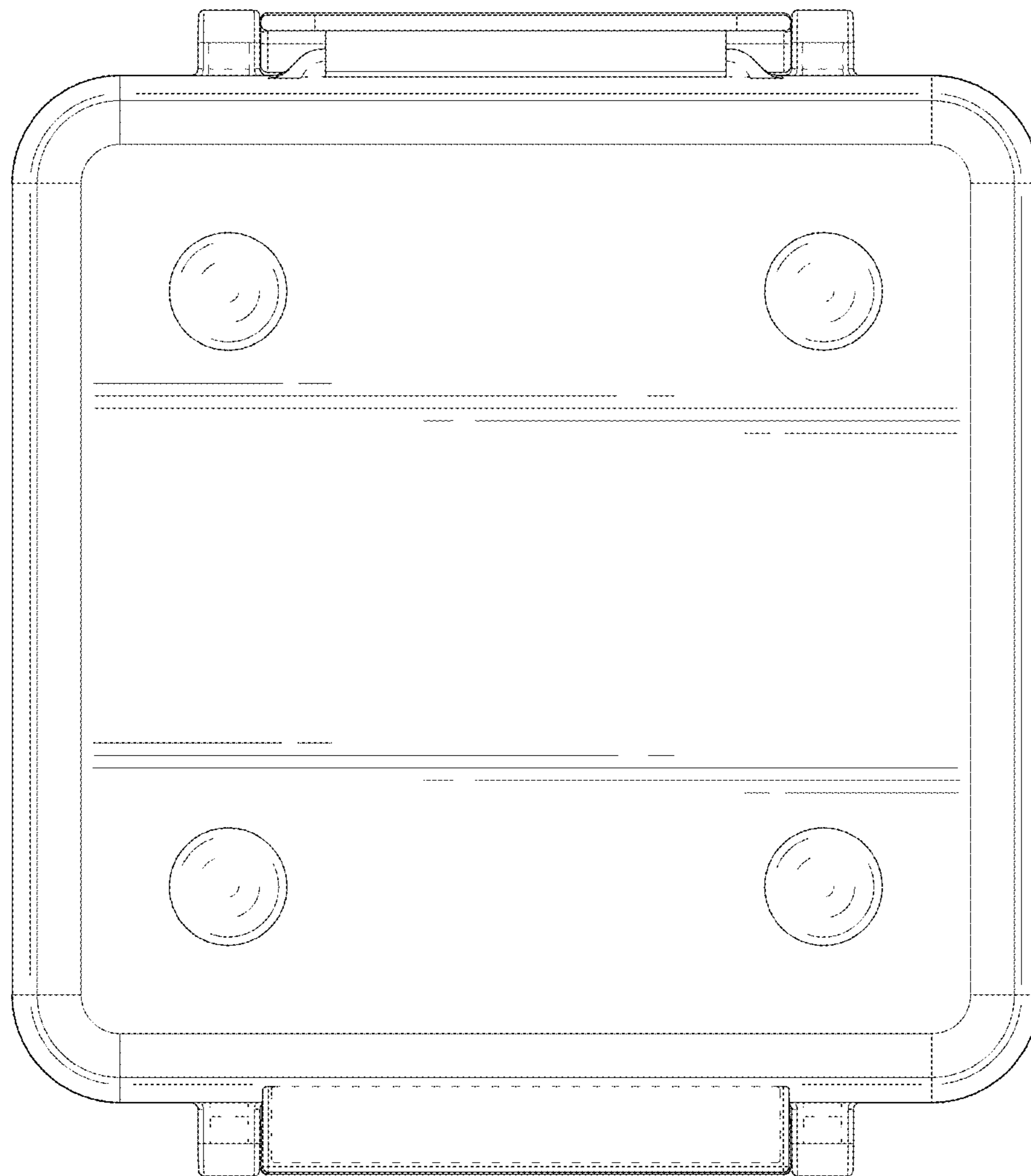


FIG. 8

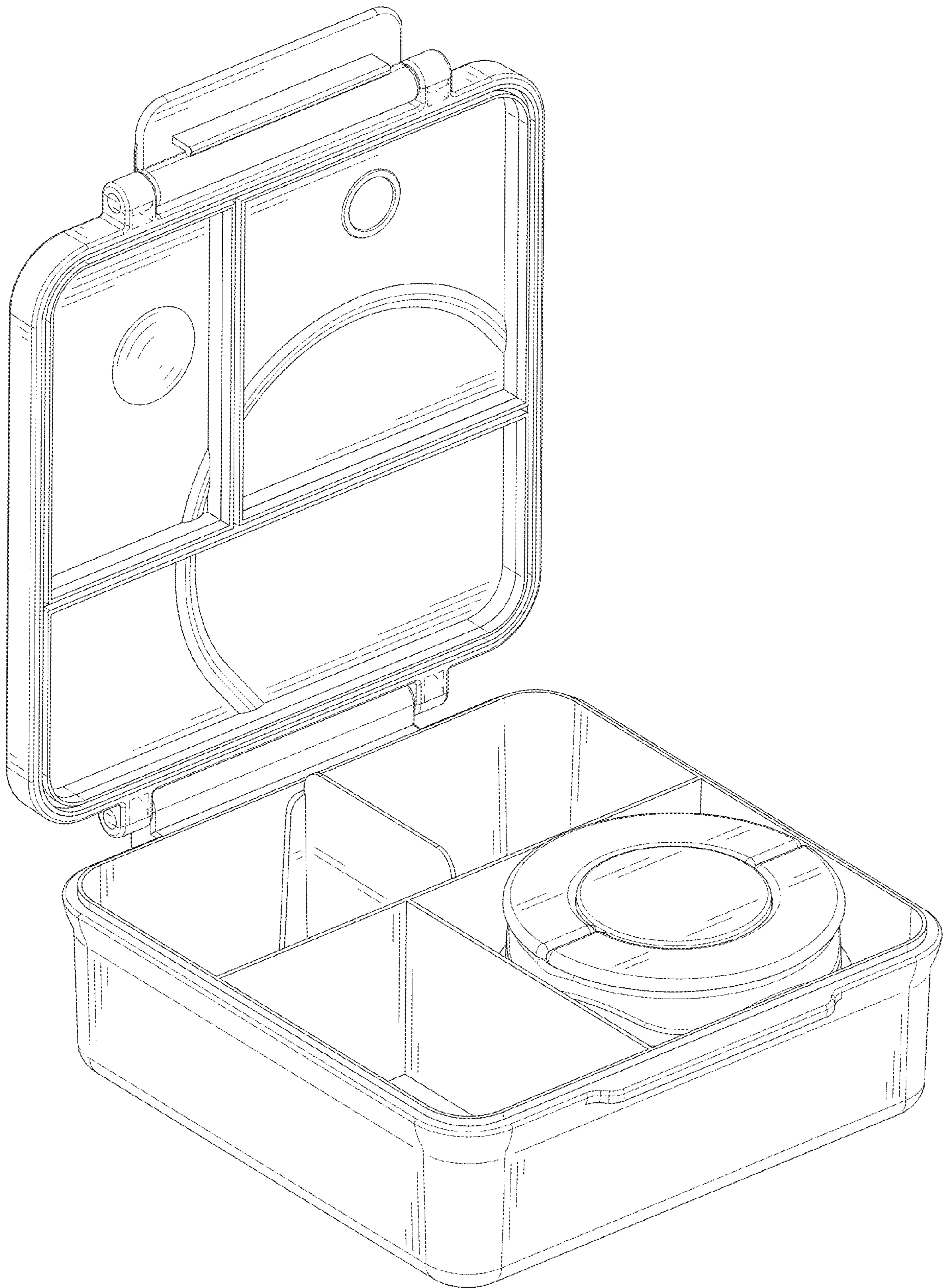


FIG. 9

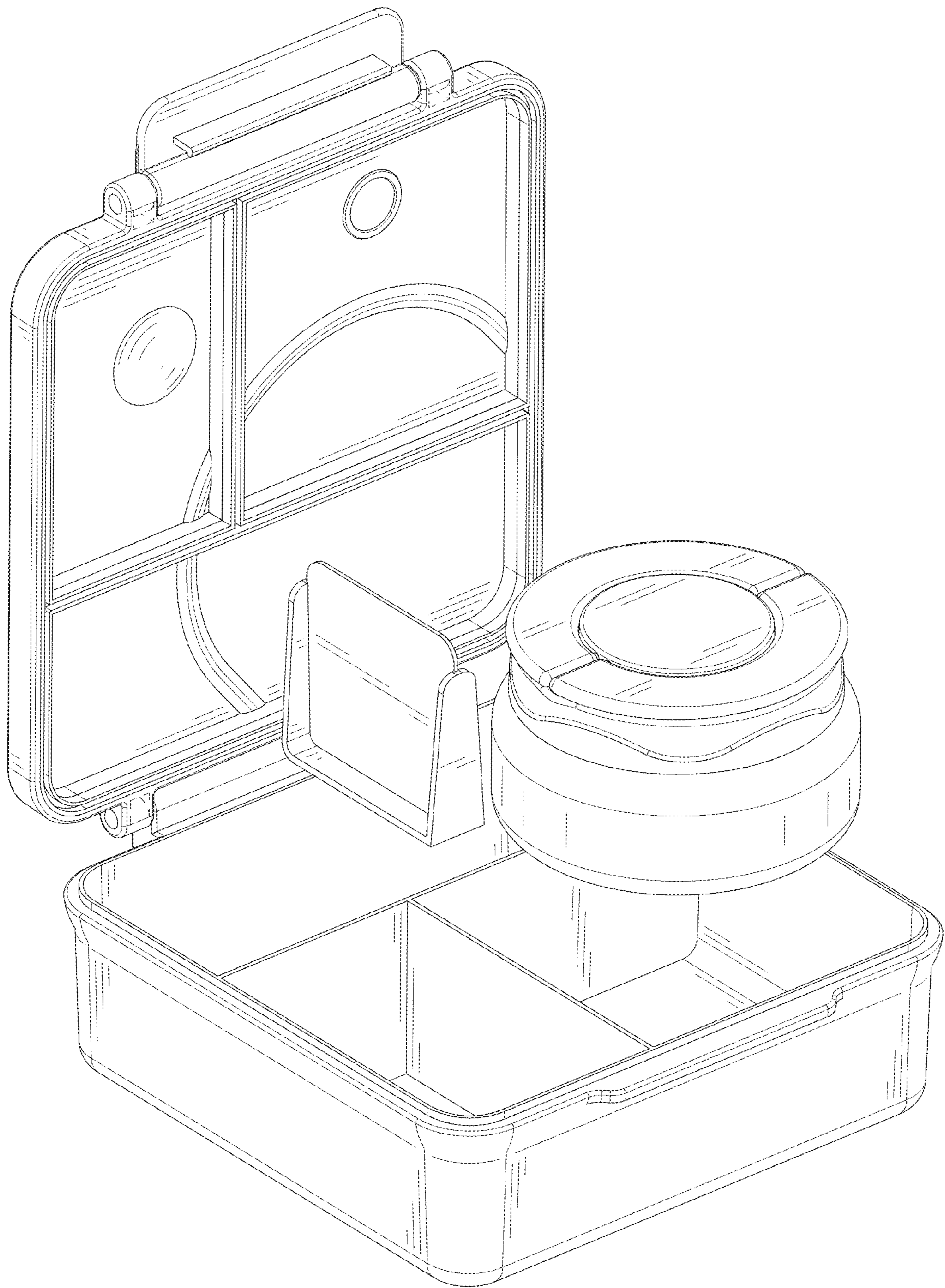


FIG. 10