



US00D983623S

(12) **United States Design Patent** (10) **Patent No.:** **US D983,623 S**
Liu (45) **Date of Patent:** **** Apr. 18, 2023**

(54) **VEGETABLE CHOPPER**

FOREIGN PATENT DOCUMENTS

(71) Applicant: **GUANGZHOU JIANGHU INTELLIGENT ELECTRICAL APPARATUS CO., LTD.**, Guangzhou (CN)

GB 6164718 * 9/2021

(72) Inventor: **Minji Liu**, Guangzhou (CN)

OTHER PUBLICATIONS

(73) Assignee: **GUANGZHOU JIANGHU INTELLIGENT ELECTRICAL APPARATUS CO., LTD.**, Guangzhou (CN)

Bampredepos Multi-Functional Chopper, available on waifair.com, year unknown, site visited Jan. 28, 2023, Internet URL: <https://www.wayfair.com/kitchen-tabletop/pdp/bampredepos-multi-functional-chopper-bmpw3321.html> (Year: 2023).*

(Continued)

(**) Term: **15 Years**

Primary Examiner — Andrew Kerr

Assistant Examiner — Courtney J Clark-Rasheed

(21) Appl. No.: **29/809,344**

(22) Filed: **Sep. 27, 2021**

(57) **CLAIM**

(51) **LOC (14) Cl.** **07-04**

The ornamental design for a vegetable chopper, as shown and described.

(52) **U.S. Cl.**

USPC **D7/674**

(58) **Field of Classification Search**

USPC D7/672, 673, 674, 675, 676, 678, 693, D7/381, 382, 383, 384, 385, 669

CPC A47J 43/25; A47J 3/0722; A47J 17/02; B26B 29/063

See application file for complete search history.

DESCRIPTION

FIG. 1 is a perspective view of a vegetable chopper showing my new design;
FIG. 2 is another perspective view thereof;
FIG. 3 is a front elevational view thereof;
FIG. 4 is a rear elevational view thereof;
FIG. 5 is a left side elevational view thereof;
FIG. 6 is a right side elevational view thereof;
FIG. 7 is a top plan view thereof;
FIG. 8 is a bottom plan view thereof;
FIG. 9 is a perspective view of the vegetable chopper where the vegetable chopper is in a closed state; and,
FIG. 10 is an enlarged view of portion 10 shown in FIG. 1. The dash-dash broken lines in the drawings depict portions of the vegetable chopper that form no part of the claimed design. The dot-dash broken lines represent the boundary of the enlarged portion and form no part of the claimed design.

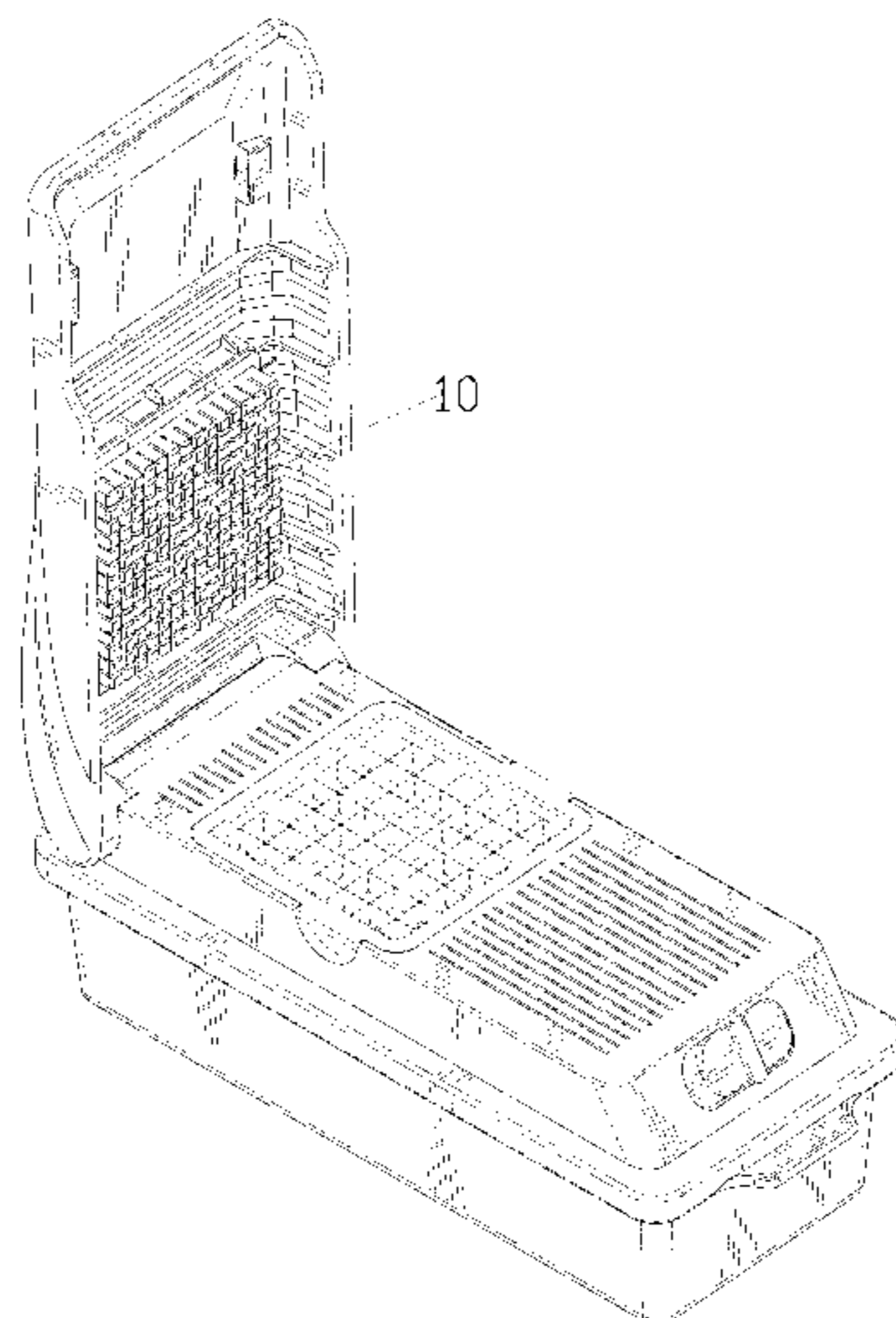
(56) **References Cited**

U.S. PATENT DOCUMENTS

1,834,717 A * 12/1931 Knapp A47J 43/25
241/84.4
1,922,973 A * 8/1933 Mischanski A47J 43/25
241/273.1
2,615,486 A * 10/1952 Marcus A47J 43/25
241/168
2,720,234 A * 10/1955 Fett A47J 43/25
241/95
4,546,928 A * 10/1985 Suzuki A47J 43/25
241/285.3
D543,422 S * 5/2007 Kaposi D7/674
D548,025 S * 8/2007 Kaposi D7/674

(Continued)

1 Claim, 10 Drawing Sheets



(56)

References Cited

U.S. PATENT DOCUMENTS

D618,517 S * 6/2010 Wong D7/672
D729,595 S * 5/2015 Hauser D7/693
D776,495 S * 1/2017 Repac D7/672
D776,987 S * 1/2017 Repac D7/672
D776,988 S * 1/2017 Repac D7/672
D823,075 S * 7/2018 Repac D7/672
D858,218 S * 9/2019 Kaposi D7/693
D929,825 S * 9/2021 Lu D7/673
D951,721 S * 5/2022 Chen D7/673
D962,726 S * 9/2022 Lu D7/672
2004/0055437 A1 * 3/2004 Engdahl B26D 1/553
30/299
2004/0217219 A1 * 11/2004 Bitonto A47J 43/255
241/95
2006/0090352 A1 * 5/2006 Kaposi B26D 3/185
30/299
2014/0246528 A1 * 9/2014 Lee A47J 43/25
241/95
2015/0367525 A1 * 12/2015 Repac B26D 3/18
83/167
2019/0263012 A1 * 8/2019 Kaposi B26D 3/26
2021/0237300 A1 * 8/2021 Liberman A47J 37/1214

OTHER PUBLICATIONS

Gladicer, available in Amazon.com, date first available Feb. 10, 2022, site visited Jan. 28, 2023, Available from the internet URL: <<https://www.amazon.com/GLADICER-Vegetable-Multi-functional-Mandoline-Container>> (Year: 2022).*

* cited by examiner

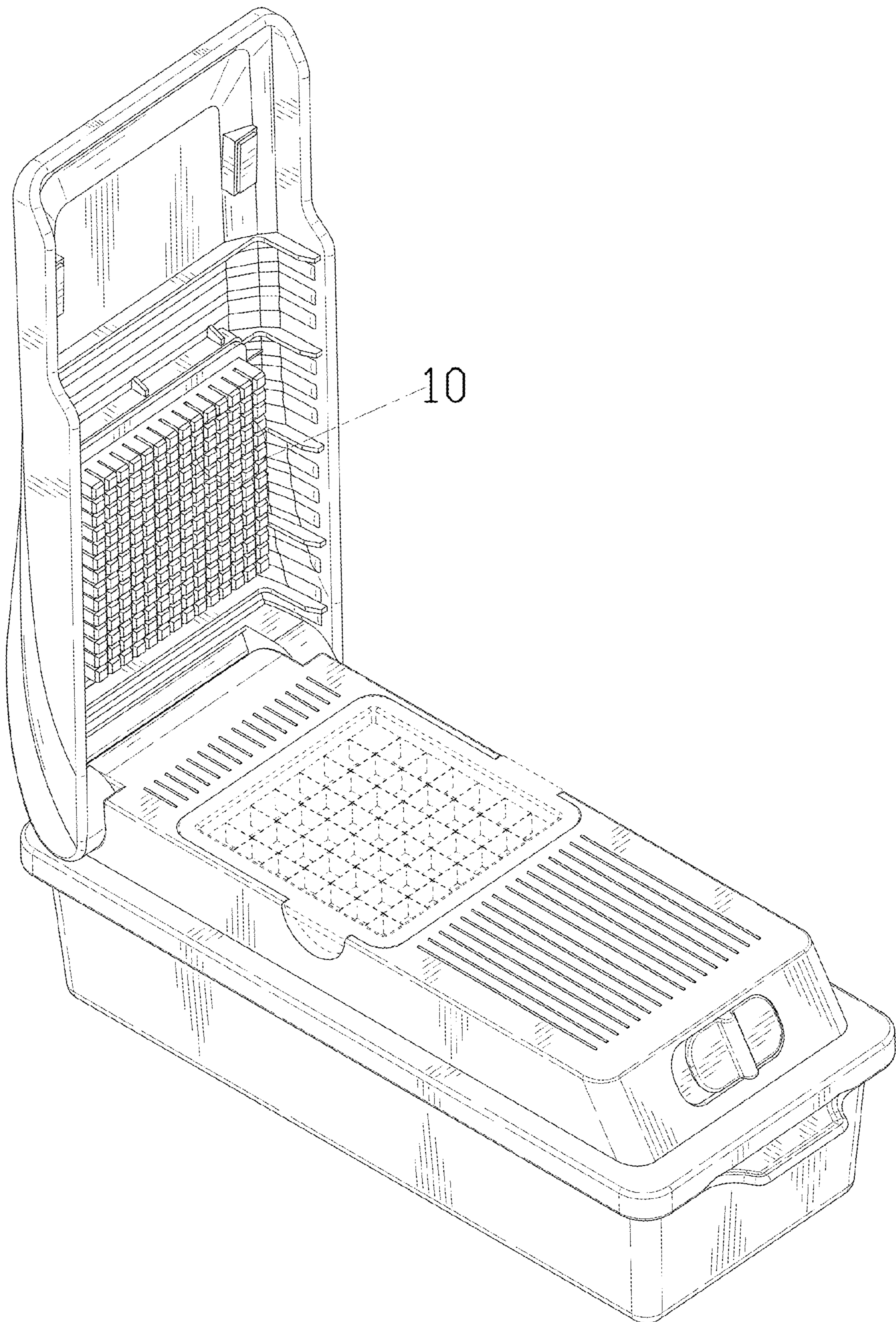


FIG. 1

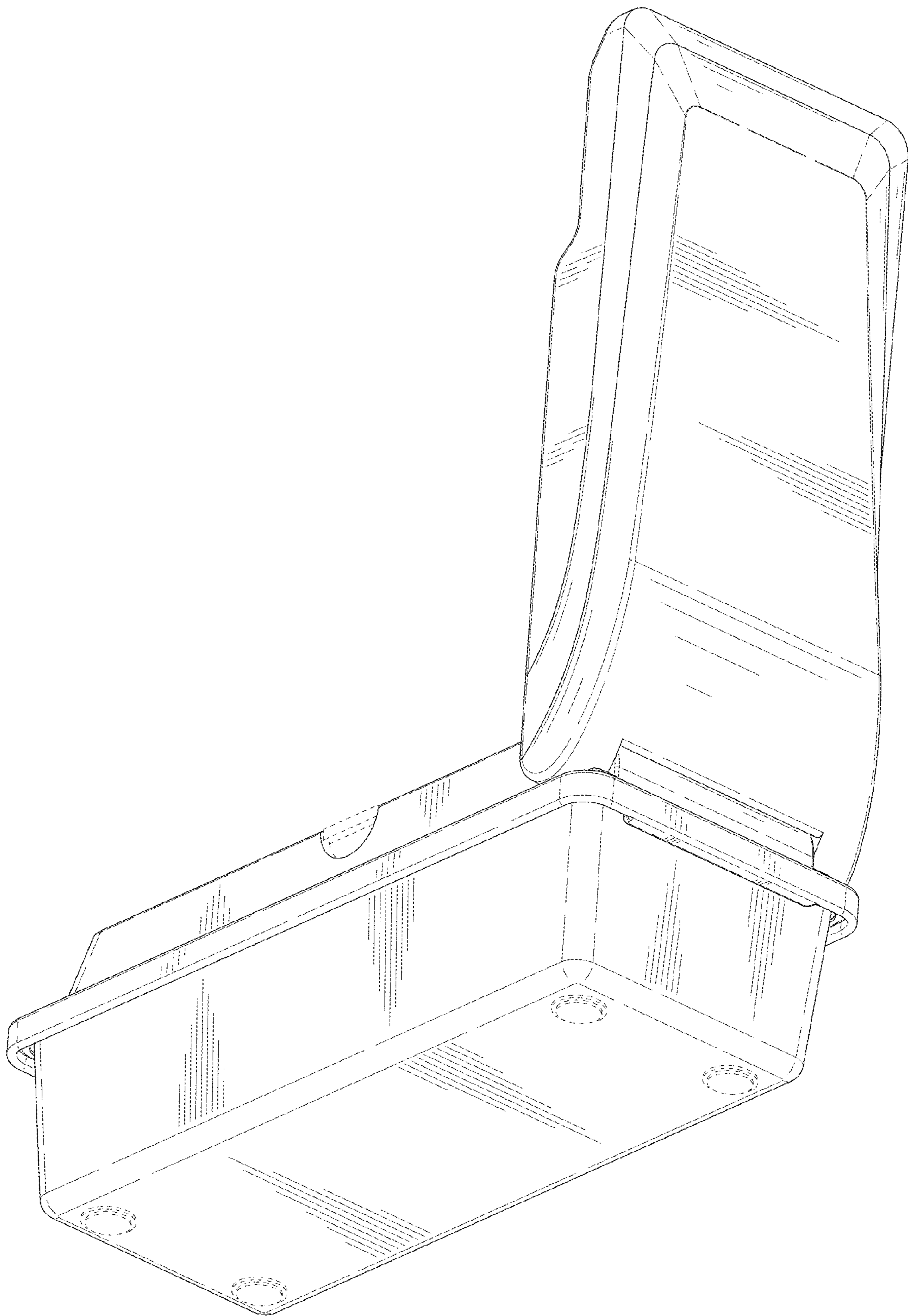


FIG. 2

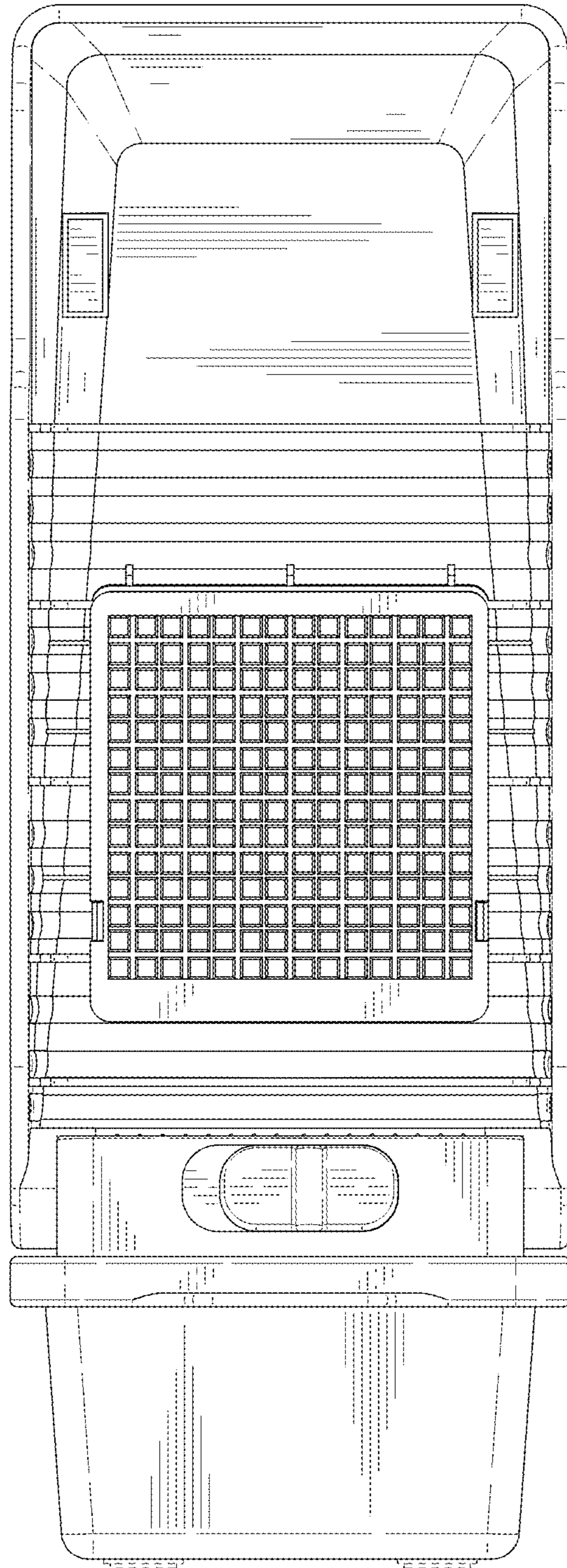


FIG. 3

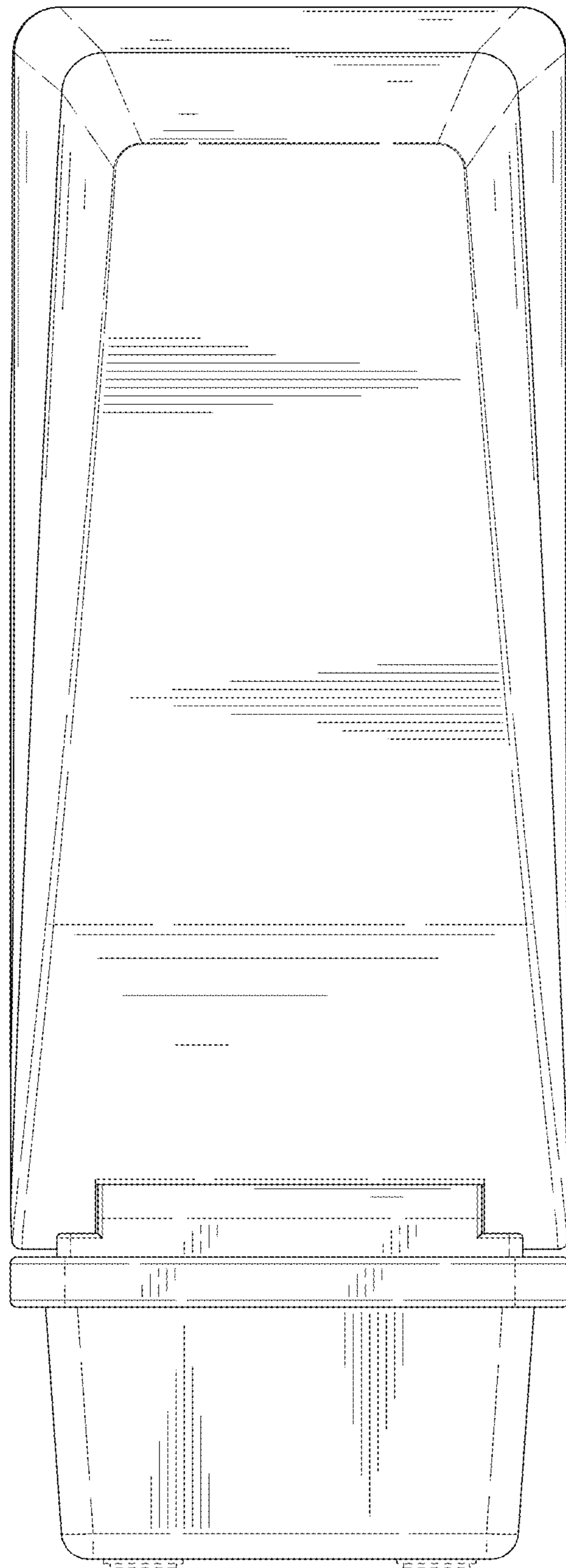


FIG. 4

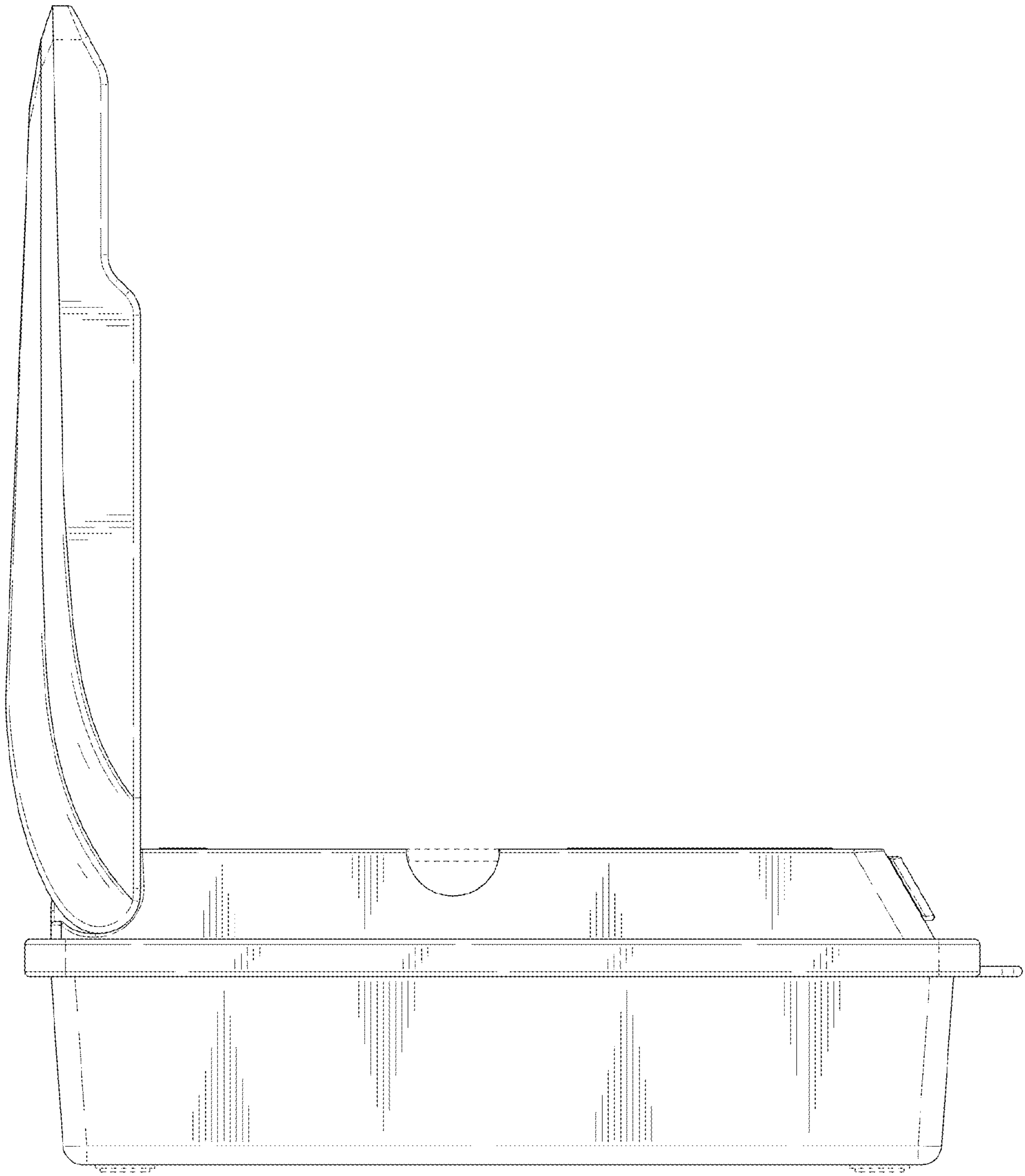


FIG. 5

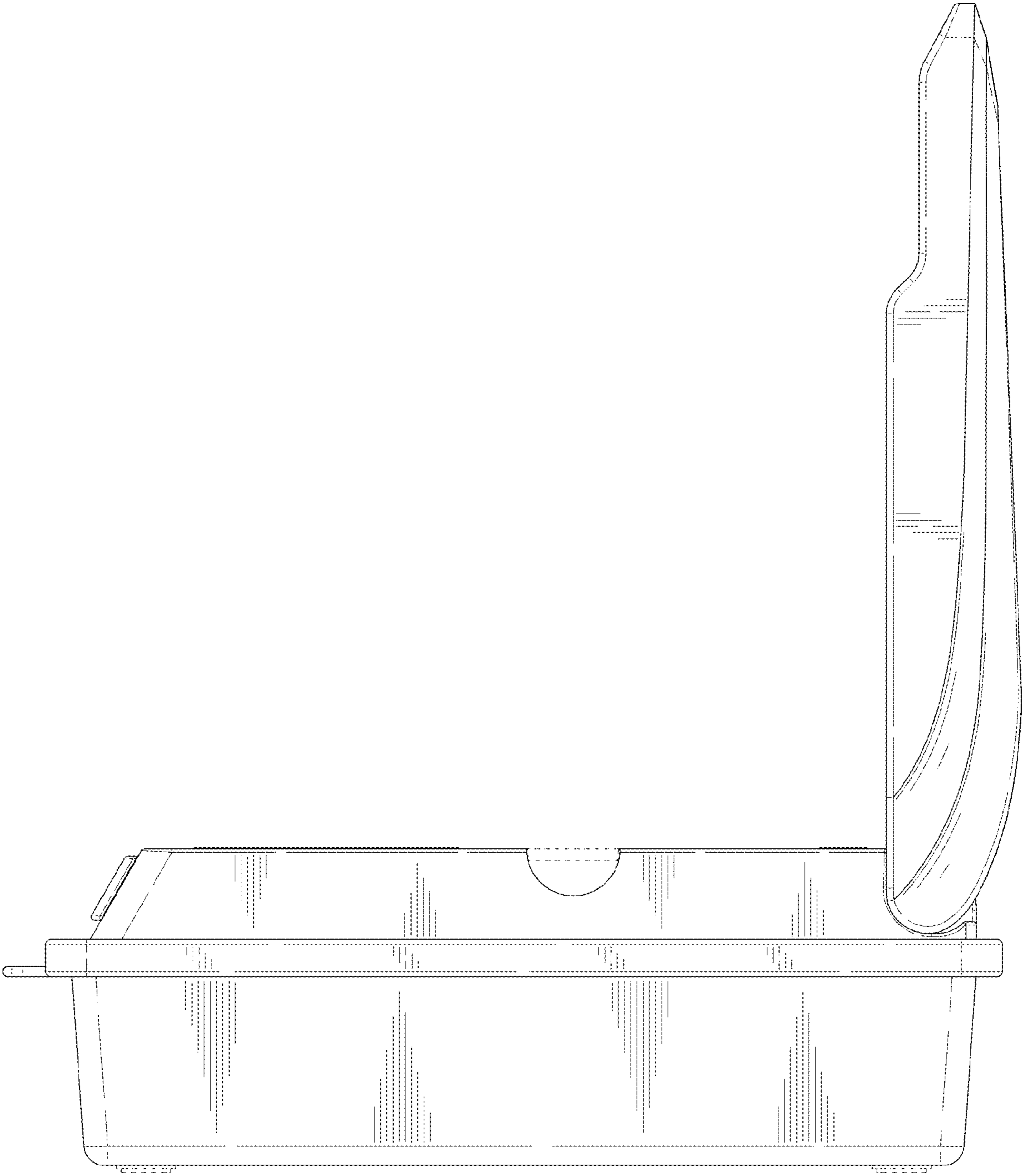


FIG. 6

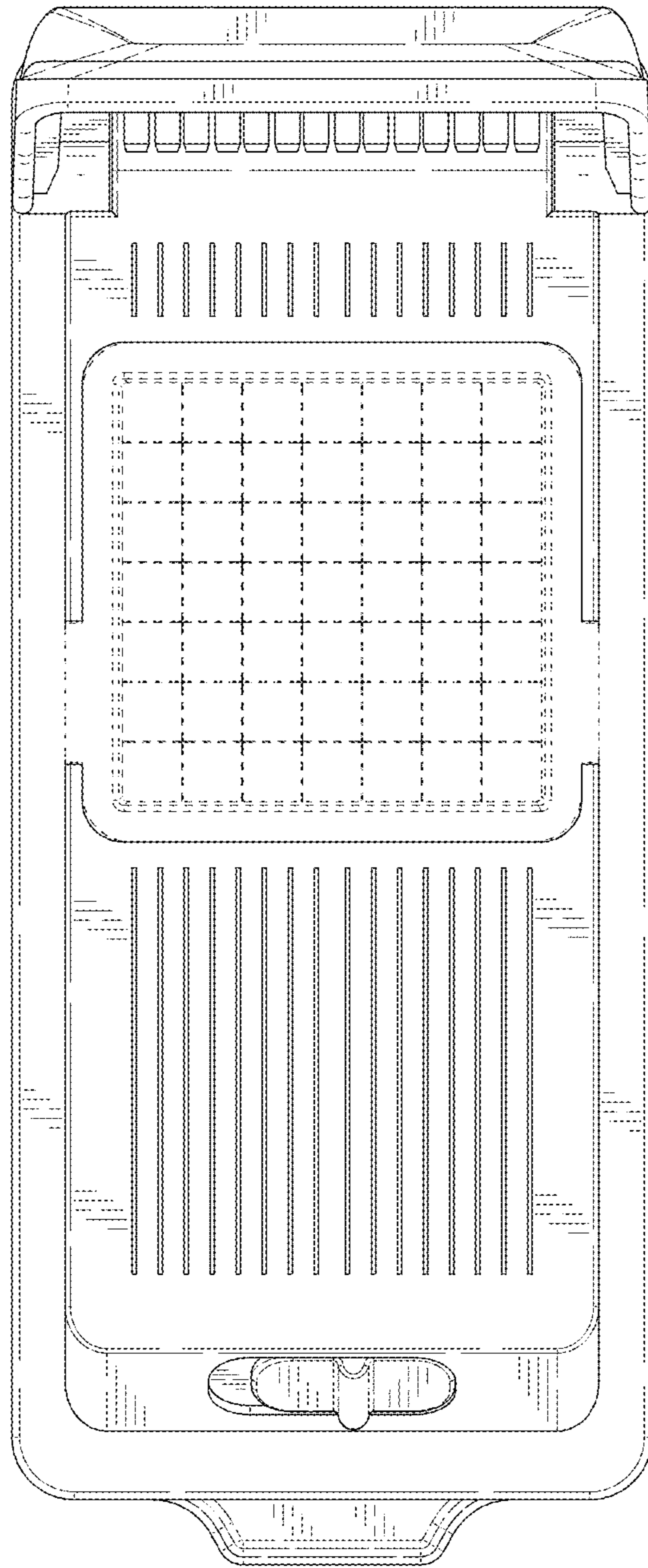


FIG. 7

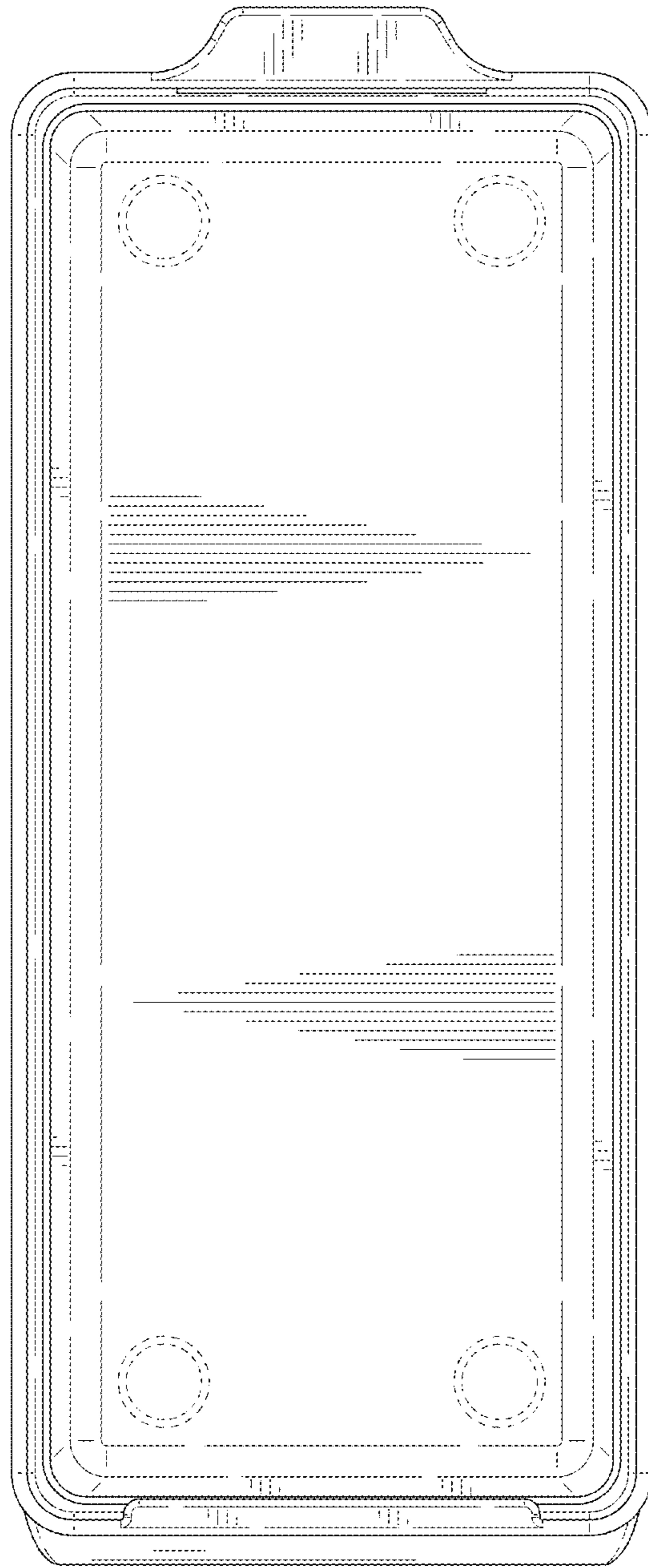


FIG. 8

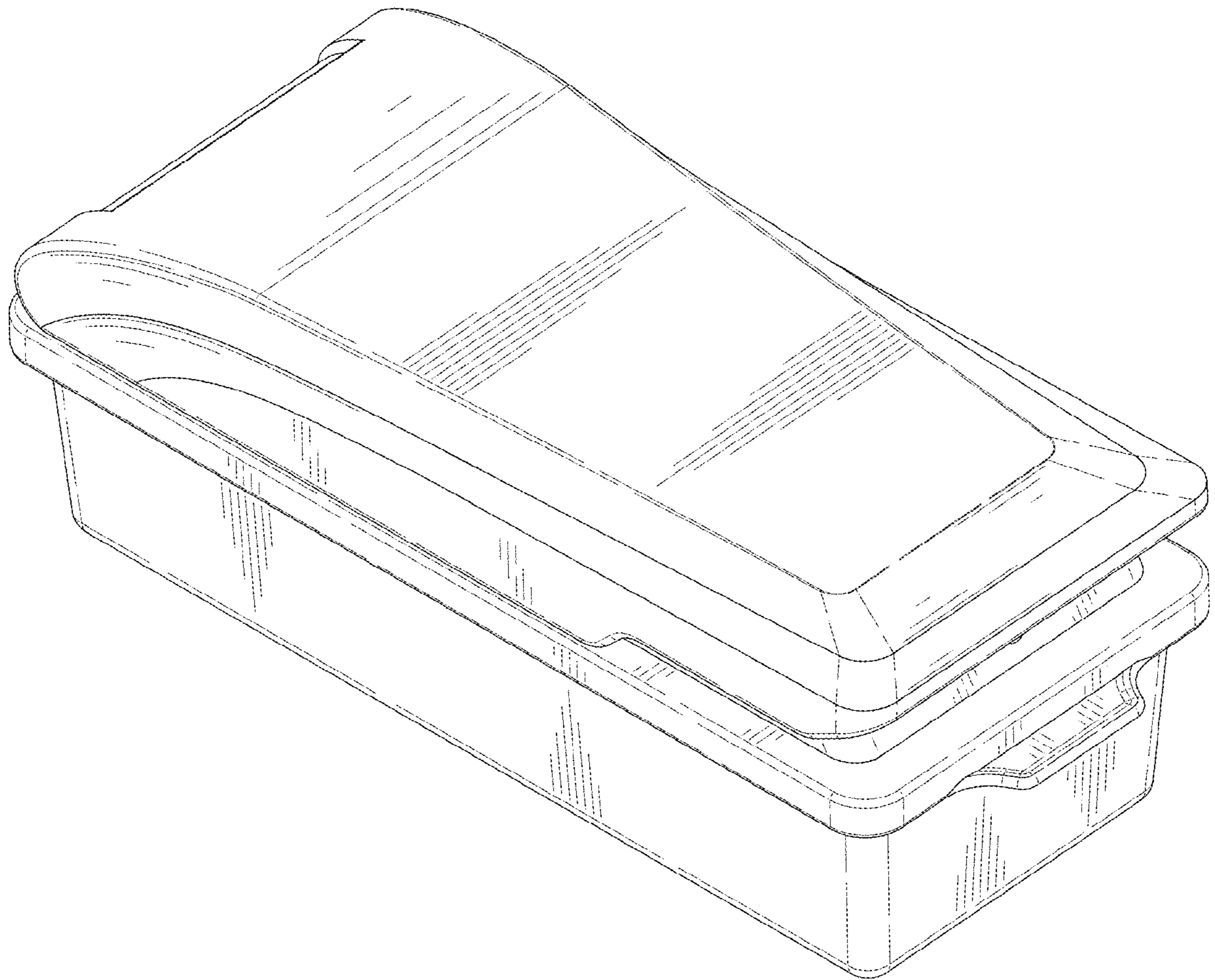


FIG. 9

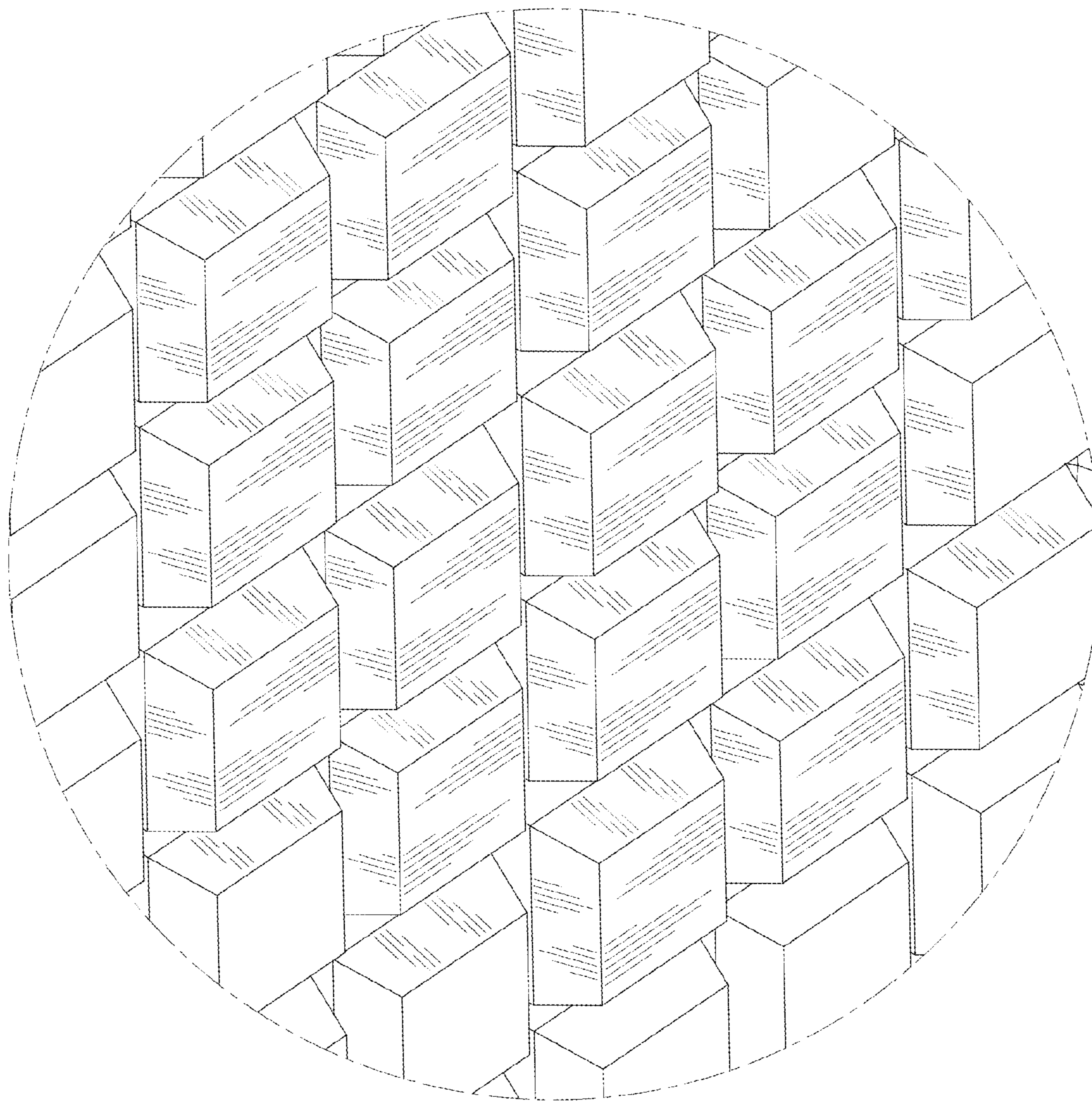


FIG. 10