



US00D983622S

(12) **United States Design Patent**
Ni et al.

(10) **Patent No.:** **US D983,622 S**

(45) **Date of Patent:** **** Apr. 18, 2023**

(54) **JUICER**

(71) Applicant: **DONGGUAN ZHEN ZHONG KANG
PRECISION TRANSMISSION
TECHNOLOGY CO., LTD**, Dongguan
(CN)

(72) Inventors: **Tangrong Ni**, Dongguan (CN);
Chaojian Lei, Dongguan (CN)

(73) Assignee: **DONGGUAN ZHEN ZHONG KANG
PRECISION TRANSMISSION
TECHNOLOGY CO., LTD**, Dongguan
(CN)

(**) Term: **15 Years**

(21) Appl. No.: **29/804,326**

(22) Filed: **Aug. 19, 2021**

(30) **Foreign Application Priority Data**

Aug. 2, 2021 (CN) 202130496379.0

(51) **LOC (14) Cl.** **31-00**

(52) **U.S. Cl.**
USPC **D7/665; D7/667**

(58) **Field of Classification Search**

USPC D7/370, 372, 376, 378, 381, 382, 384,
D7/386, 412, 665, 666, 667, 668

CPC A47J 19/023; A47J 19/02; A47J 19/027;
A47J 19/06; A47J 19/00; A47J 19/025;
A47J 43/00; A47J 43/042; A47J 43/07;
A47J 2043/04454; A23N 1/02; A23N
1/003; A23N 1/00; A23N 1/006

See application file for complete search history.

(56) **References Cited**

U.S. PATENT DOCUMENTS

D526,539 S * 8/2006 Yip D7/665
D601,391 S * 10/2009 Chiang D7/665

D610,396 S * 2/2010 Chiang D7/372
D712,696 S * 9/2014 Huber D7/372
D725,439 S * 3/2015 Kim D7/665
D725,440 S * 3/2015 Kim D7/665
D772,023 S * 11/2016 Allende Fritsch D7/665

(Continued)

FOREIGN PATENT DOCUMENTS

CN 306043302 * 9/2020
CN 306219925 * 12/2020

(Continued)

OTHER PUBLICATIONS

Omega Juicer, Sep. 9, 2019, <https://www.amazon.com/Omega-MM900HDS-Masticating-Celery-Juicer/dp/B07XPPNFQQ> (Year: 2019).*

(Continued)

Primary Examiner — Brett Miller

Assistant Examiner — Nader Abadir

(74) *Attorney, Agent, or Firm* — Westbridge IP LLC

(57) **CLAIM**

The ornamental design for a juicer, as shown and described.

DESCRIPTION

FIG. 1 is a front perspective view of a juicer showing our new design;

FIG. 2 is a rear perspective view thereof;

FIG. 3 is a front elevation view thereof;

FIG. 4 is a rear elevation view thereof;

FIG. 5 is a left side elevation view thereof;

FIG. 6 is a right side elevation view thereof;

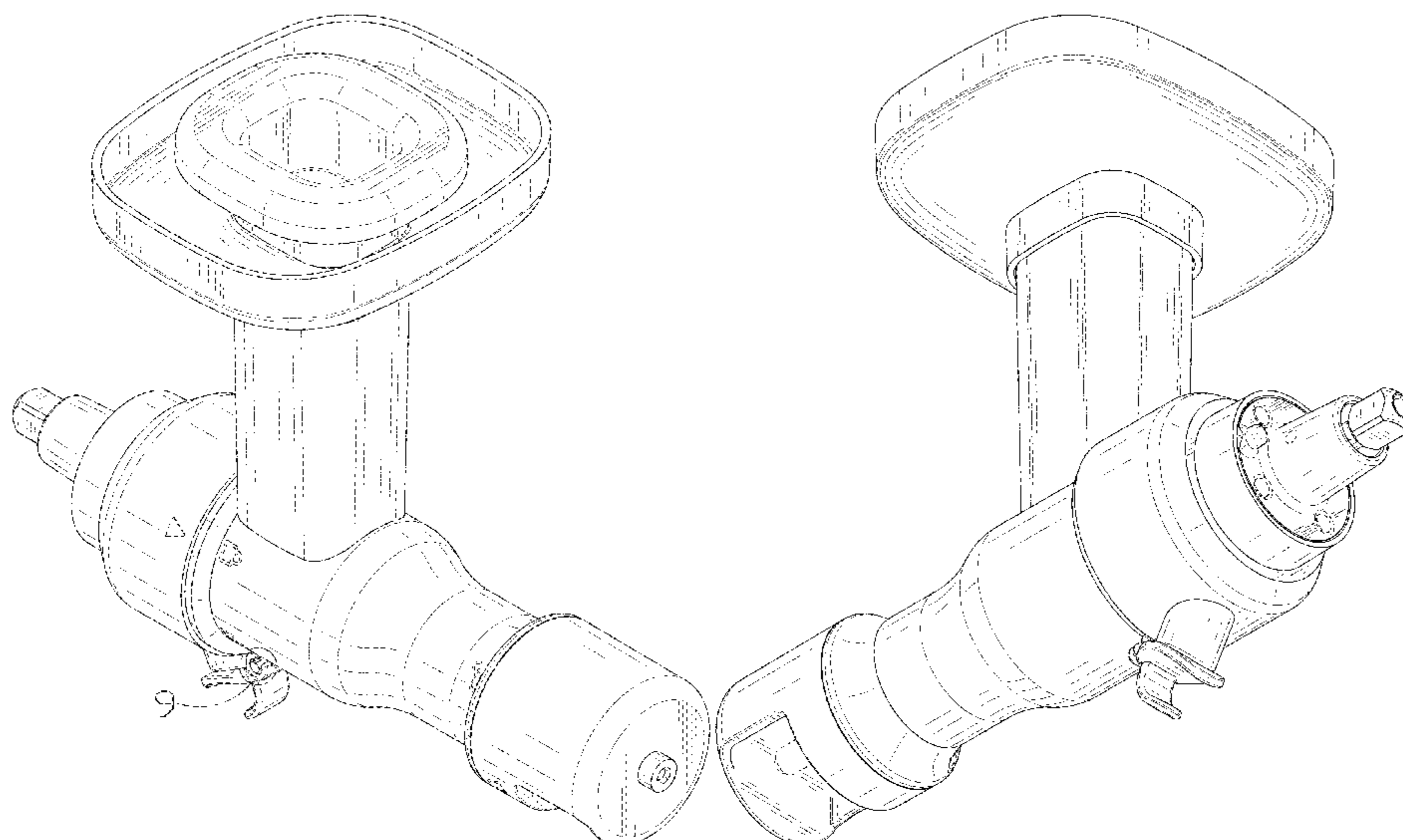
FIG. 7 is a top plan view thereof;

FIG. 8 is a bottom plan view thereof; and,

FIG. 9 is an enlarged view of portion 9 of FIG. 1.

The broken lines in the drawings illustrate the portions of the juicer which form no part of the claimed design.

1 Claim, 9 Drawing Sheets



(56)

References Cited

U.S. PATENT DOCUMENTS

10,531,759 B2 * 1/2020 Holzbauer A47J 19/06
 D892,552 S * 8/2020 Liu D7/381
 D900,561 S * 11/2020 Chen D7/665
 D906,769 S * 1/2021 Shen D7/665
 D914,466 S * 3/2021 Bao D7/665
 D927,266 S * 8/2021 Wang D7/643
 2007/0277682 A1 * 12/2007 Wong A47J 19/025
 99/495
 2014/0245906 A1 * 9/2014 Lee A23N 1/00
 99/510
 2019/0167026 A1 * 6/2019 Lee H02K 9/04

FOREIGN PATENT DOCUMENTS

CN 306427433 * 3/2021
 CN 306583505 * 6/2021
 CN 306616252 * 6/2021
 WO D214501-001 * 7/2021

OTHER PUBLICATIONS

Aeitto Juicer Machine, Nov. 27, 2020, <https://www.amazon.com/Aeitto-Masticating-Extractor-Machines-Vegetables/dp/B08PFJNTDF> (Year: 2020).*

Jocuu Slow Masticating Juicer, May 2, 2019, <https://www.amazon.com/Jocuu-Masticating-Juicer-Machine-Extractor/dp/B07RJBW6> (Year: 2019).*

Koios Juicer, Feb. 28, 2018, <https://www.amazon.com/KOIOS-Masticating-Extractor-Function-Vegetable/dp/B07FMFBZ9C> (Year: 2018).*

Aobosi Slow Masticating Juicer, Jul. 14, 2018, <https://www.amazon.com/Masticating-Extractor-Function-Nutrient-Vegetable/dp/B07R3S8CBI> (Year: 2018).*

Amzchef Slow Juicer, Sep. 12, 2019, <https://www.amazon.com/Masticating-Extractor-Professional-Function-Vegetable/dp/B0833NB31H> (Year: 2019).*

* cited by examiner

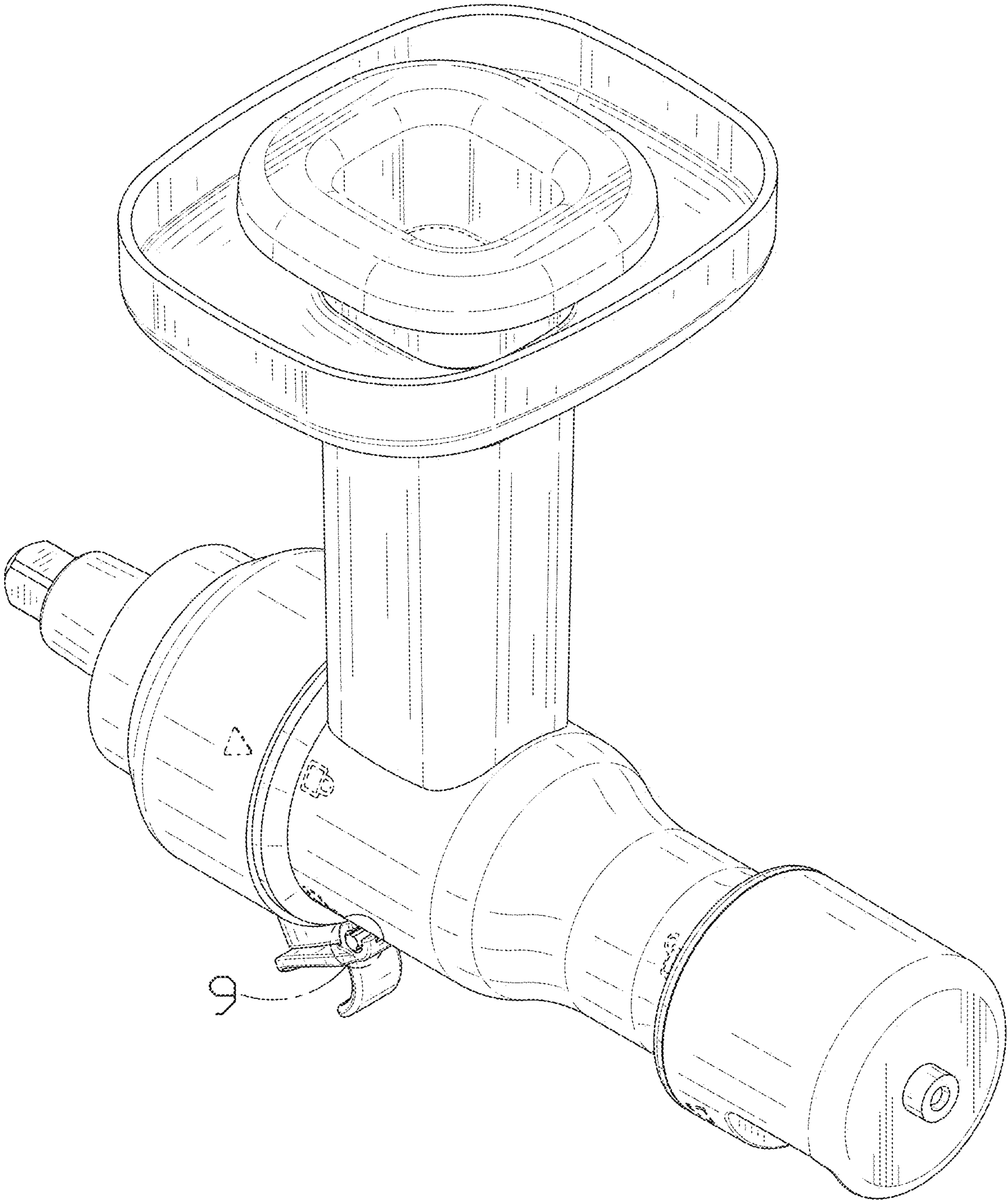


FIG. 1

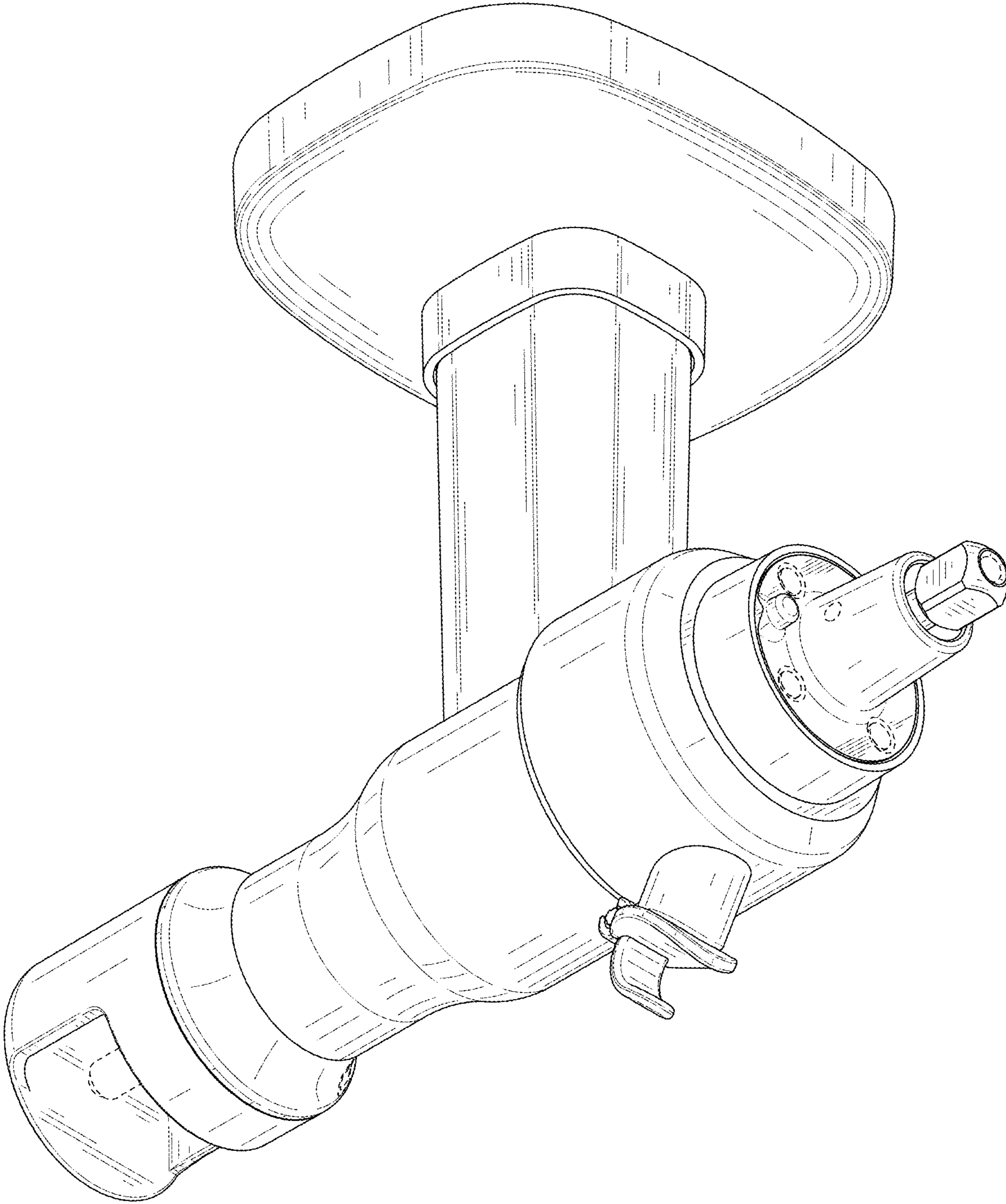


FIG. 2

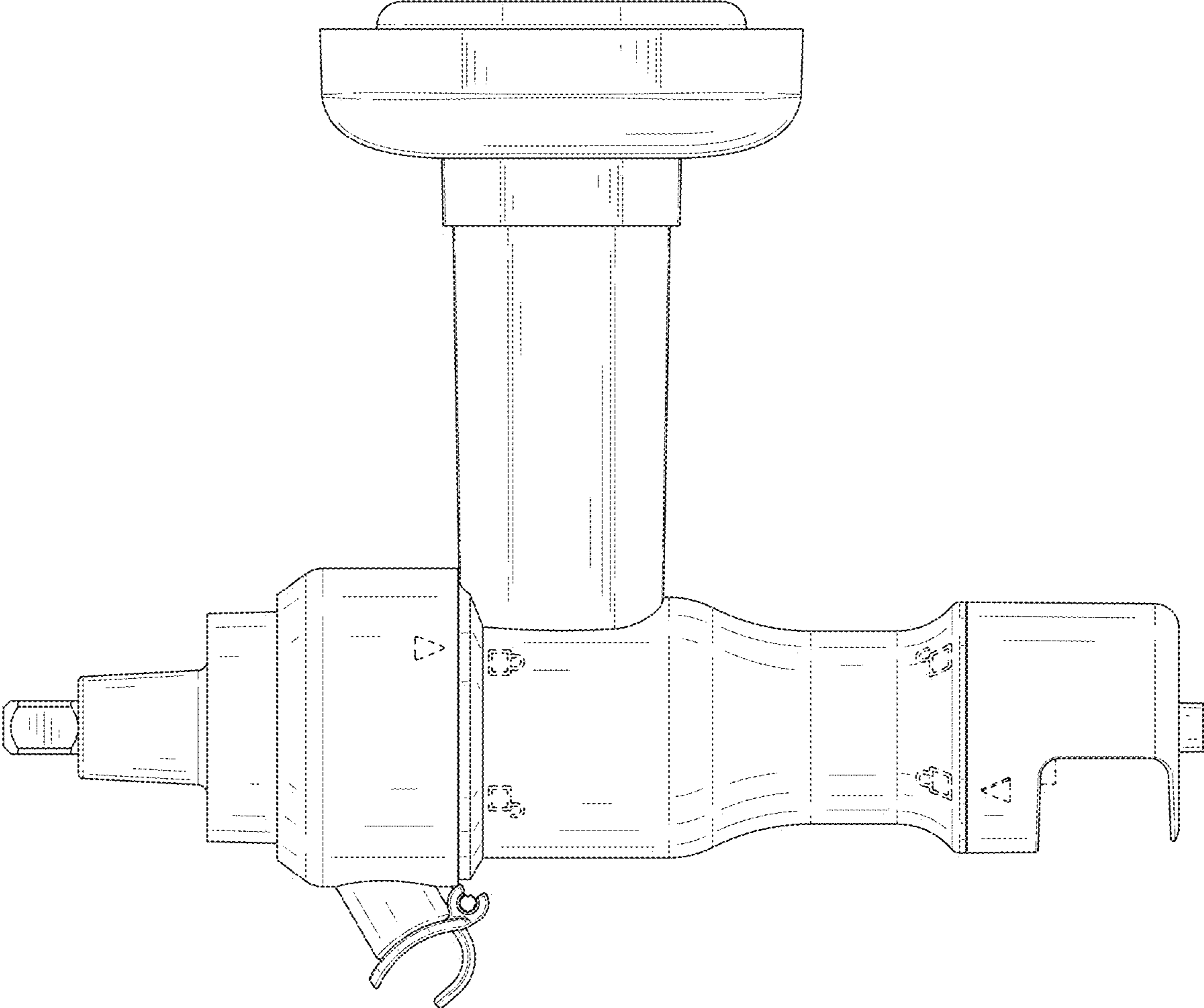


FIG. 3

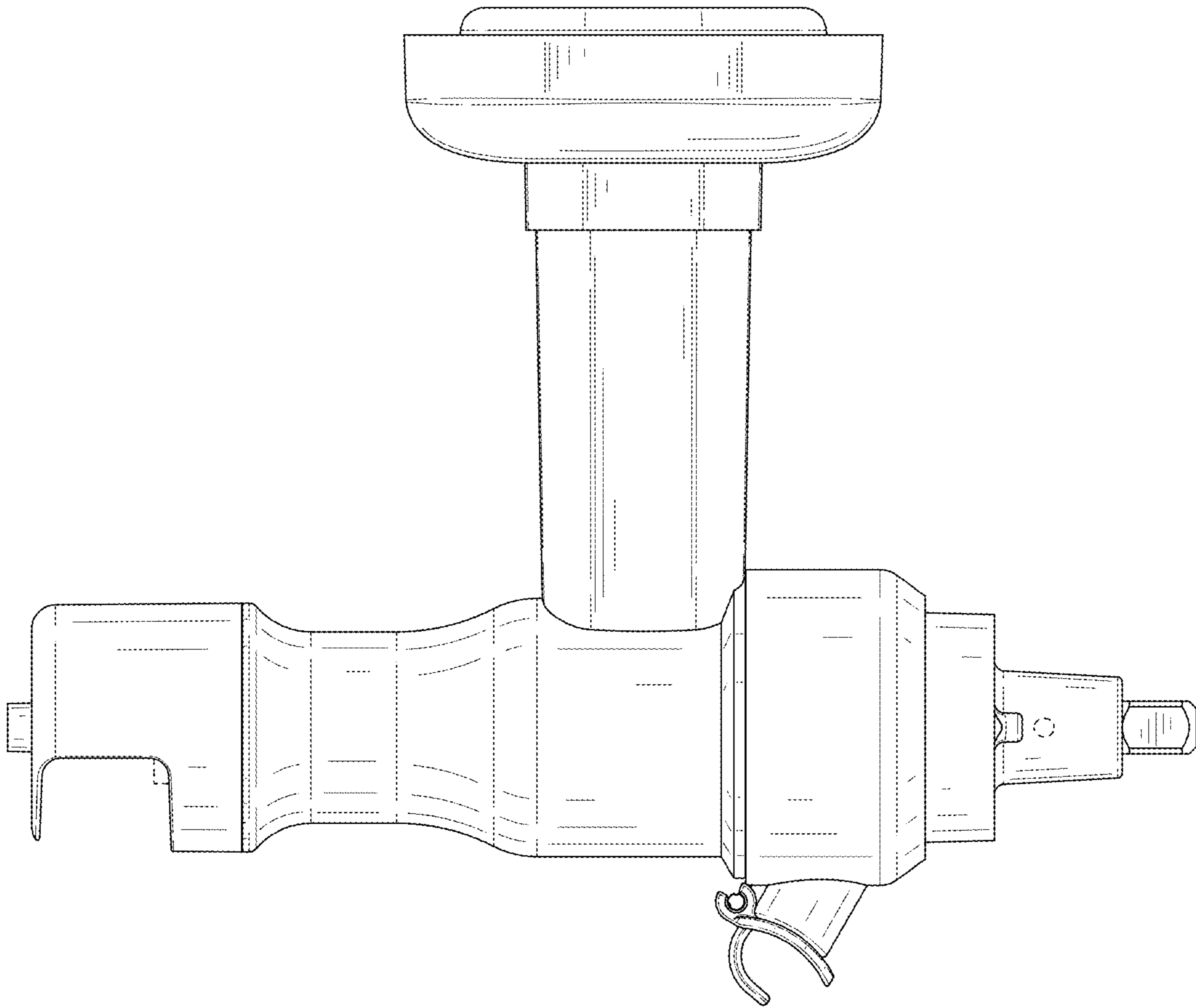


FIG. 4

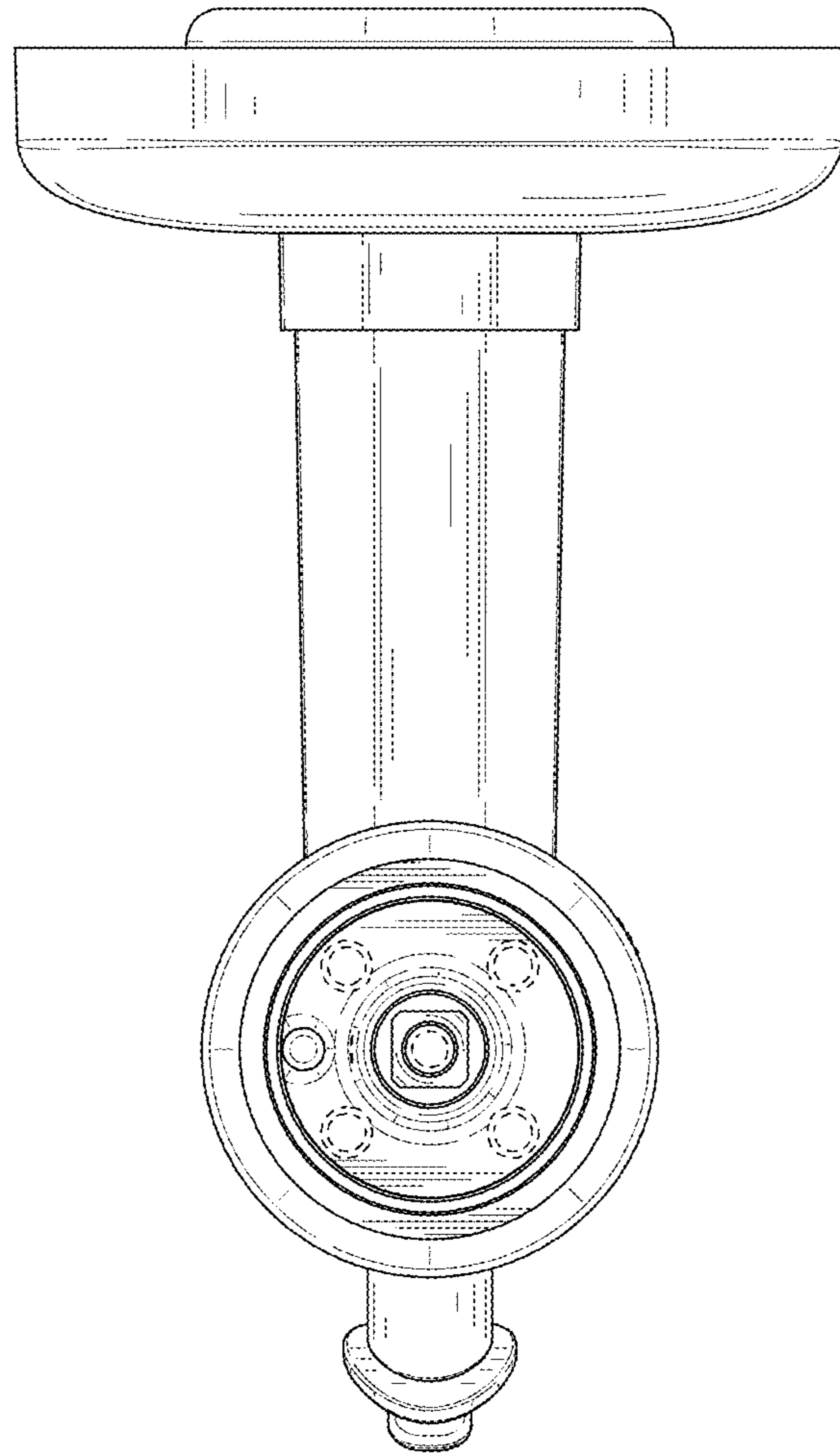


FIG. 5

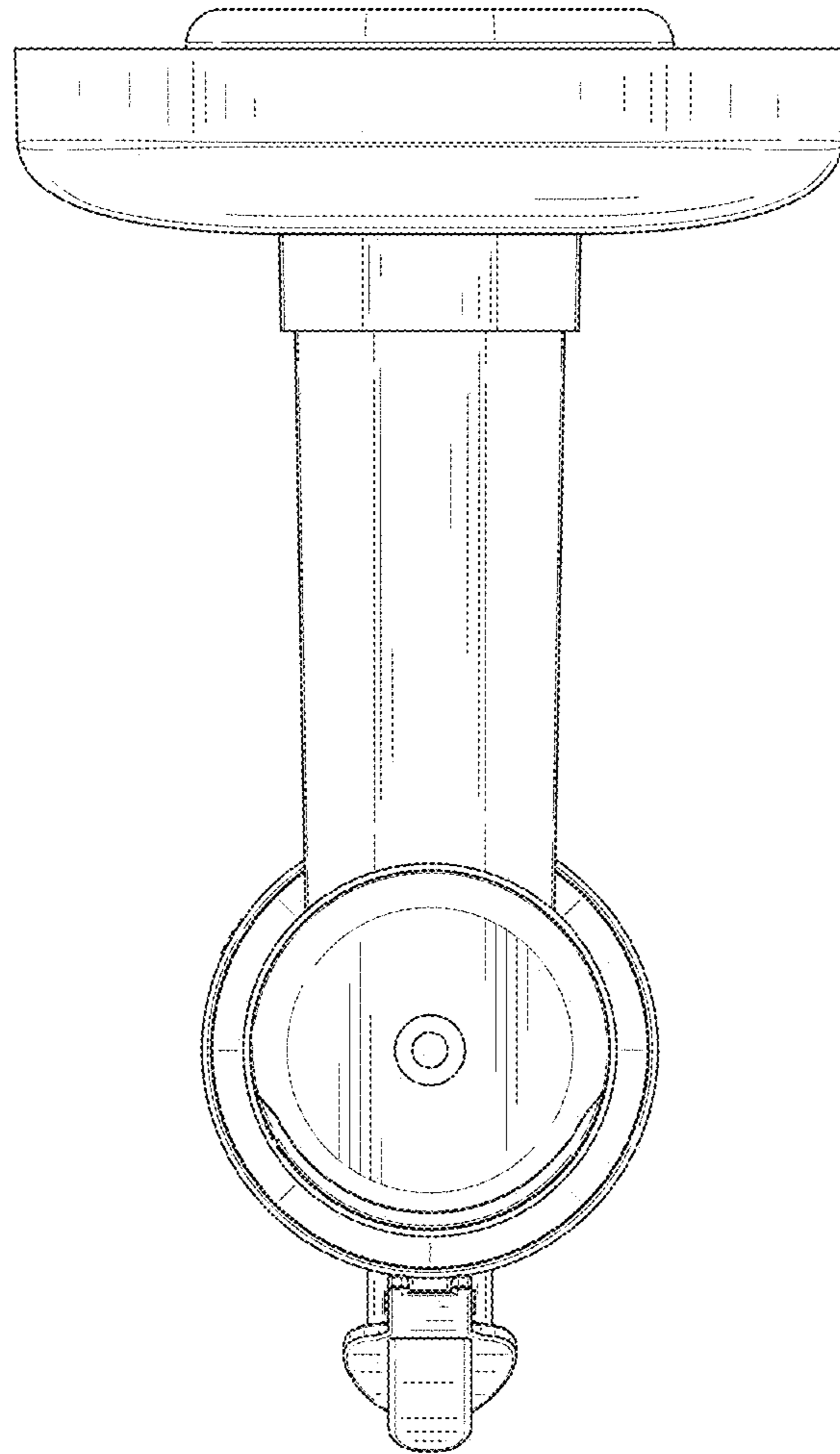


FIG. 6

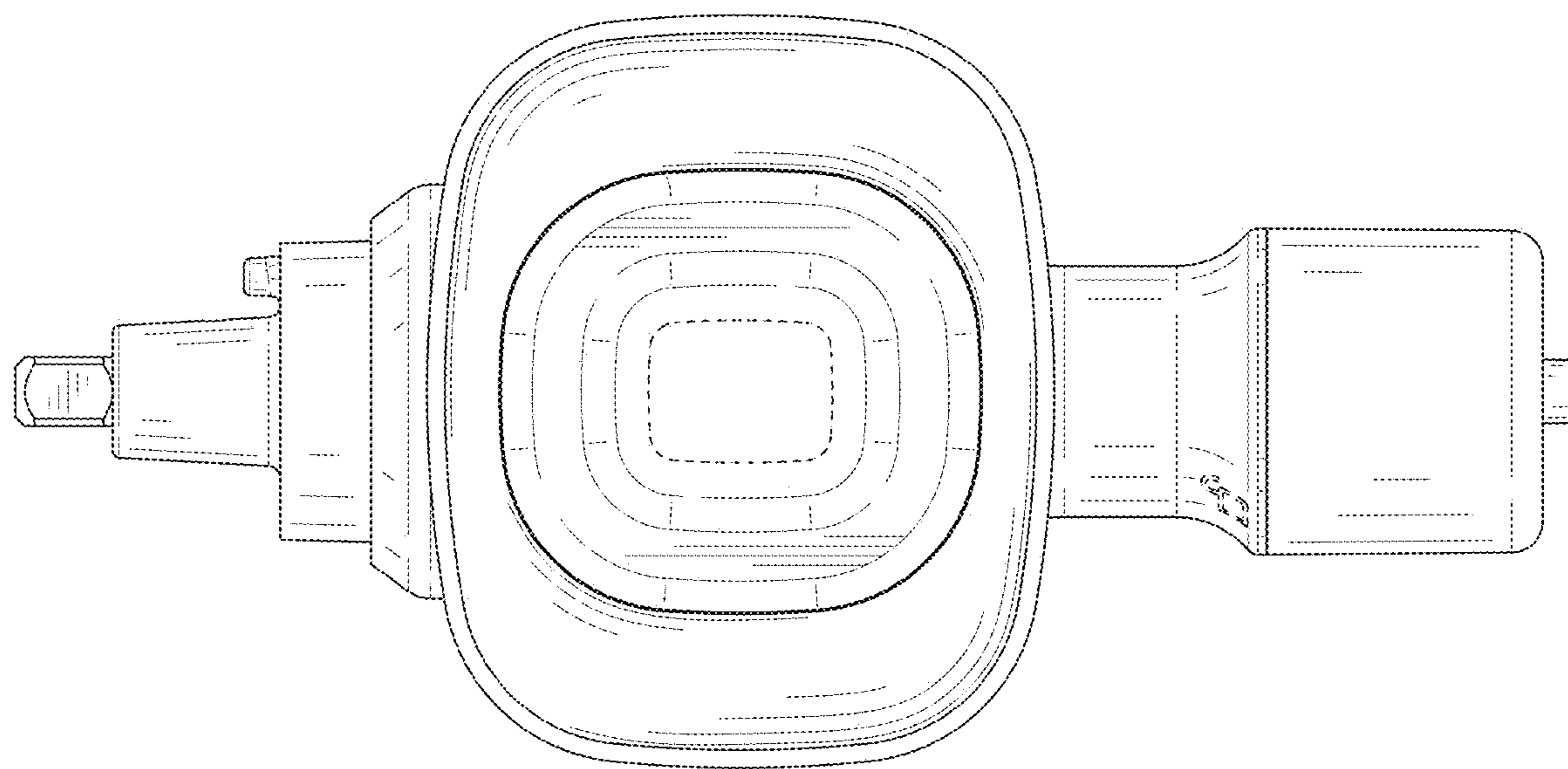


FIG. 7

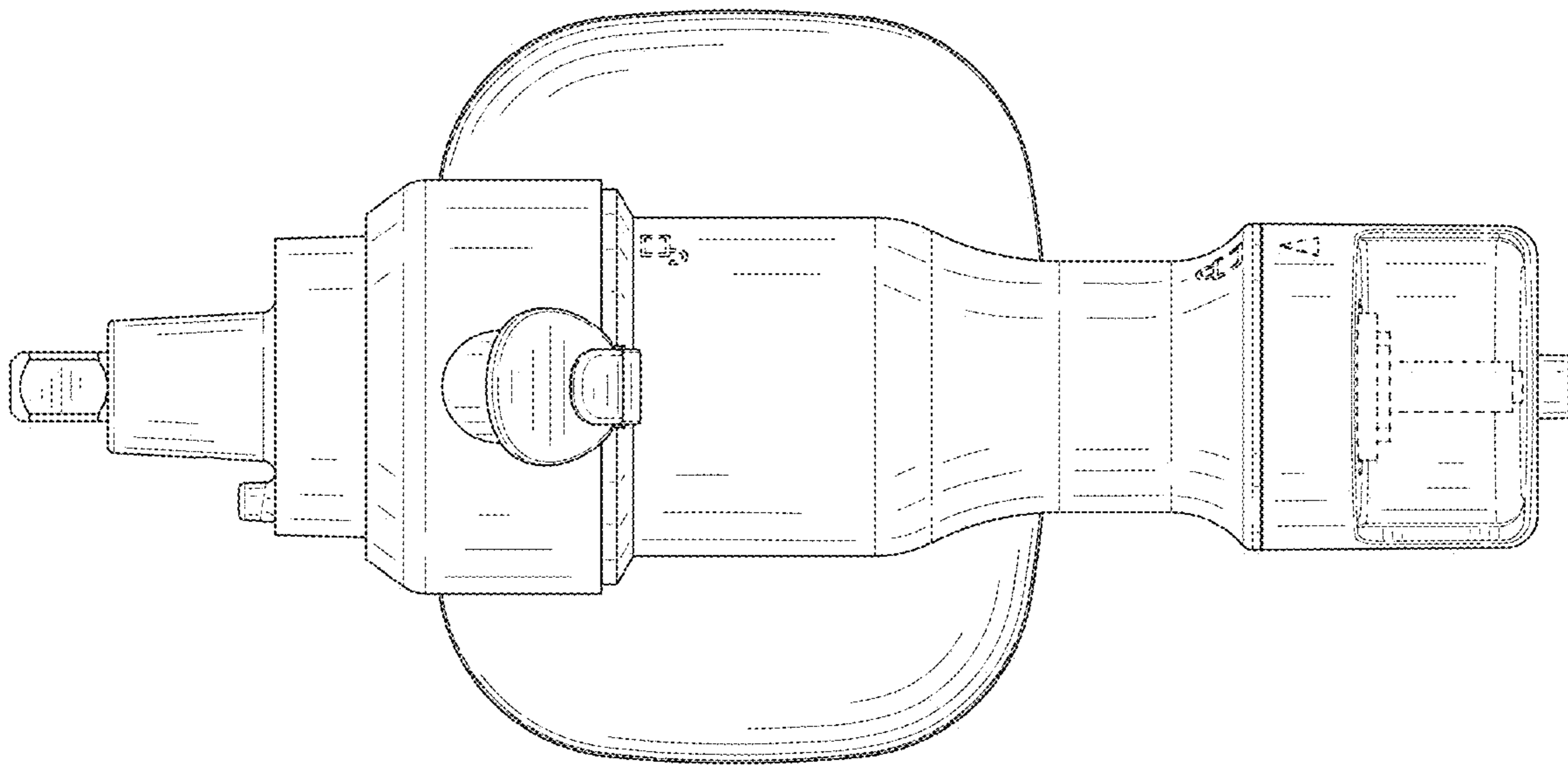


FIG. 8

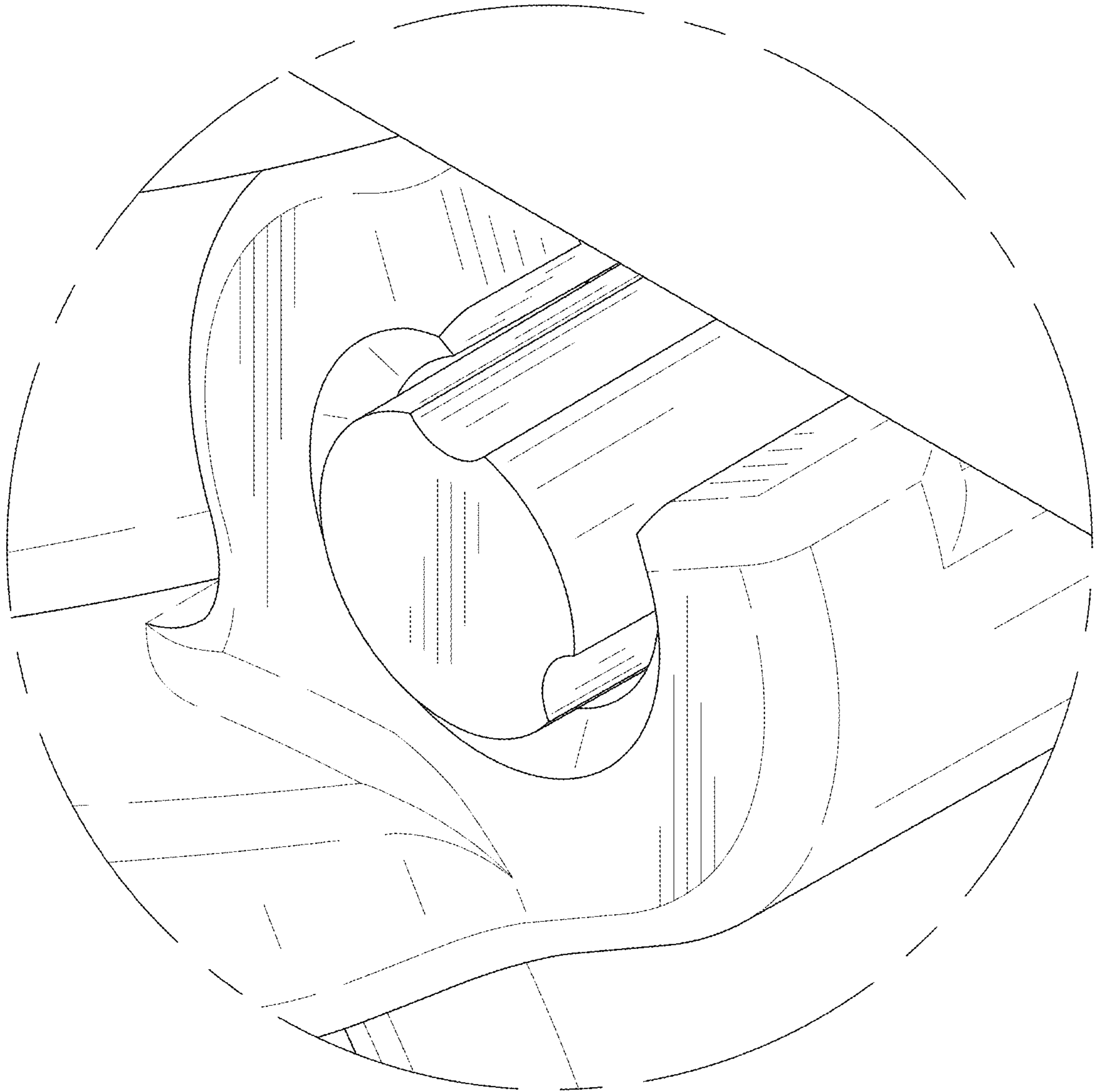


FIG. 9