



US00D983621S

(12) **United States Design Patent** (10) **Patent No.:** **US D983,621 S**
Liu (45) **Date of Patent:** **** Apr. 18, 2023**

(54) **TOFU PRESS**

(71) Applicant: **Meijuan Liu**, Shanghai (CN)

(72) Inventor: **Meijuan Liu**, Shanghai (CN)

(73) Assignee: **Meijuan Liu**, Shanghai (CN)

(**) Term: **15 Years**

(21) Appl. No.: **29/769,776**

(22) Filed: **Feb. 8, 2021**

(30) **Foreign Application Priority Data**

Jan. 15, 2021 (CN) 202130029243.9

(51) **LOC (14) Cl.** **07-04**

(52) **U.S. Cl.**
USPC **D7/665**

(58) **Field of Classification Search**

USPC D7/368, 667, 668, 665

(Continued)

(56) **References Cited**

U.S. PATENT DOCUMENTS

133,791 A * 12/1872 Mingay A47J 19/02
220/314

2,788,736 A * 4/1957 Bardini A47J 19/02
100/246

(Continued)

OTHER PUBLICATIONS

Amazon.com, Noya Adjustable Tofu Press Vegan Tofu Presser, ASIN: B088D3NV7S, 13 pages, date first available May 9, 2020 (Year: 2020).*

Primary Examiner — Terry A Wallace

(74) *Attorney, Agent, or Firm* — Bayramoglu Law Offices LLC

(57) **CLAIM**

The ornamental design for a tofu press, as shown and described.

DESCRIPTION

The patent or application file contains at least one drawing executed in color. Copies of this patent or patent application publication with color drawing(s) will be provided by the Office upon request and payment of the necessary fee.

FIG. 1 is a top, front and right perspective view of a tofu press showing my new design;

FIG. 2 is a top, front and right perspective view of a cover of the tofu press;

FIG. 3 is a front view thereof;

FIG. 4 is a rear view thereof;

FIG. 5 is a left side view thereof;

FIG. 6 is a right side view thereof;

FIG. 7 is a top view thereof;

FIG. 8 is a bottom view thereof;

FIG. 9 is a bottom, front and left perspective view thereof;

FIG. 10 is a top, front and right perspective view of a holder of the tofu press;

FIG. 11 is a front view thereof, a rear view being a mirror image of the front view;

FIG. 12 is a left side view thereof, a right side view being a mirror image of the left side view;

FIG. 13 is a top view thereof;

FIG. 14 is a bottom view thereof;

FIG. 15 is a bottom, front and left perspective view thereof;

FIG. 16 is a perspective view thereof in an unfolding configuration;

FIG. 17 is a top, front and right perspective view of a container of the tofu press;

FIG. 18 is a front view thereof, a rear view being a mirror image of the front view;

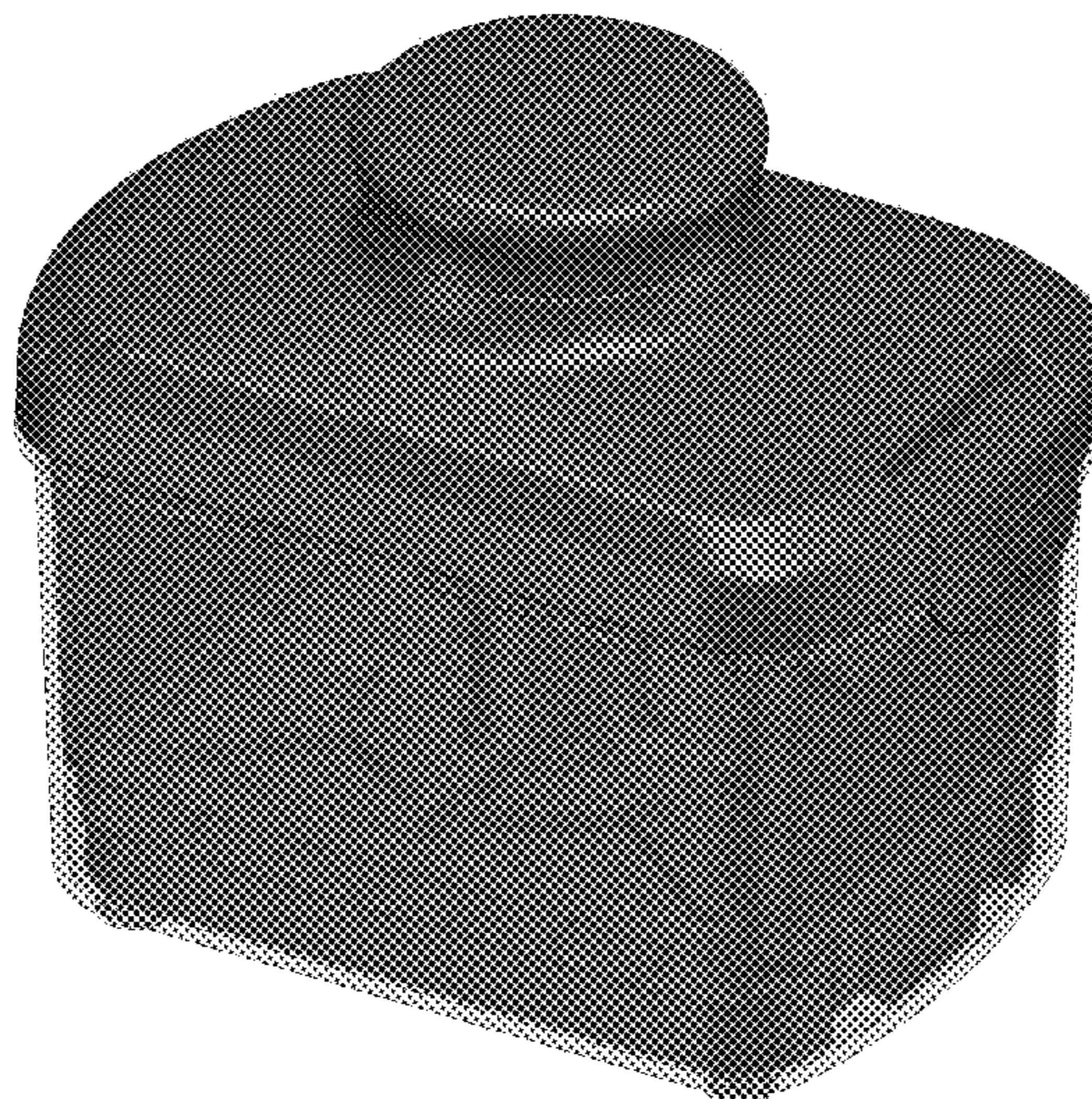
FIG. 19 is a left side view thereof, a right side view being a mirror image of the left side view;

FIG. 20 is a top view thereof, a bottom view being omitted since the bottom view is invisible in normal use; and,

FIG. 21 is an exploded view of the tofu press.

The tofu press is shown separately in FIGS. 2-20 for clarity of illustration.

1 Claim, 21 Drawing Sheets
(17 of 21 Drawing Sheet(s) Filed in Color)



(58) **Field of Classification Search**

CPC A47J 19/02; A47J 19/023; A47J 19/025;
A47J 19/06; A47J 19/00; A23P 30/10;
A23P 30/00; A23L 11/45; B30B 9/00

See application file for complete search history.

(56) **References Cited**

U.S. PATENT DOCUMENTS

D540,628 S * 4/2007 Meyers D7/665
10,717,249 B1 * 7/2020 Kim A23P 30/10
2017/0318856 A1 * 11/2017 Kittow A23L 11/45

* cited by examiner



FIG. 1

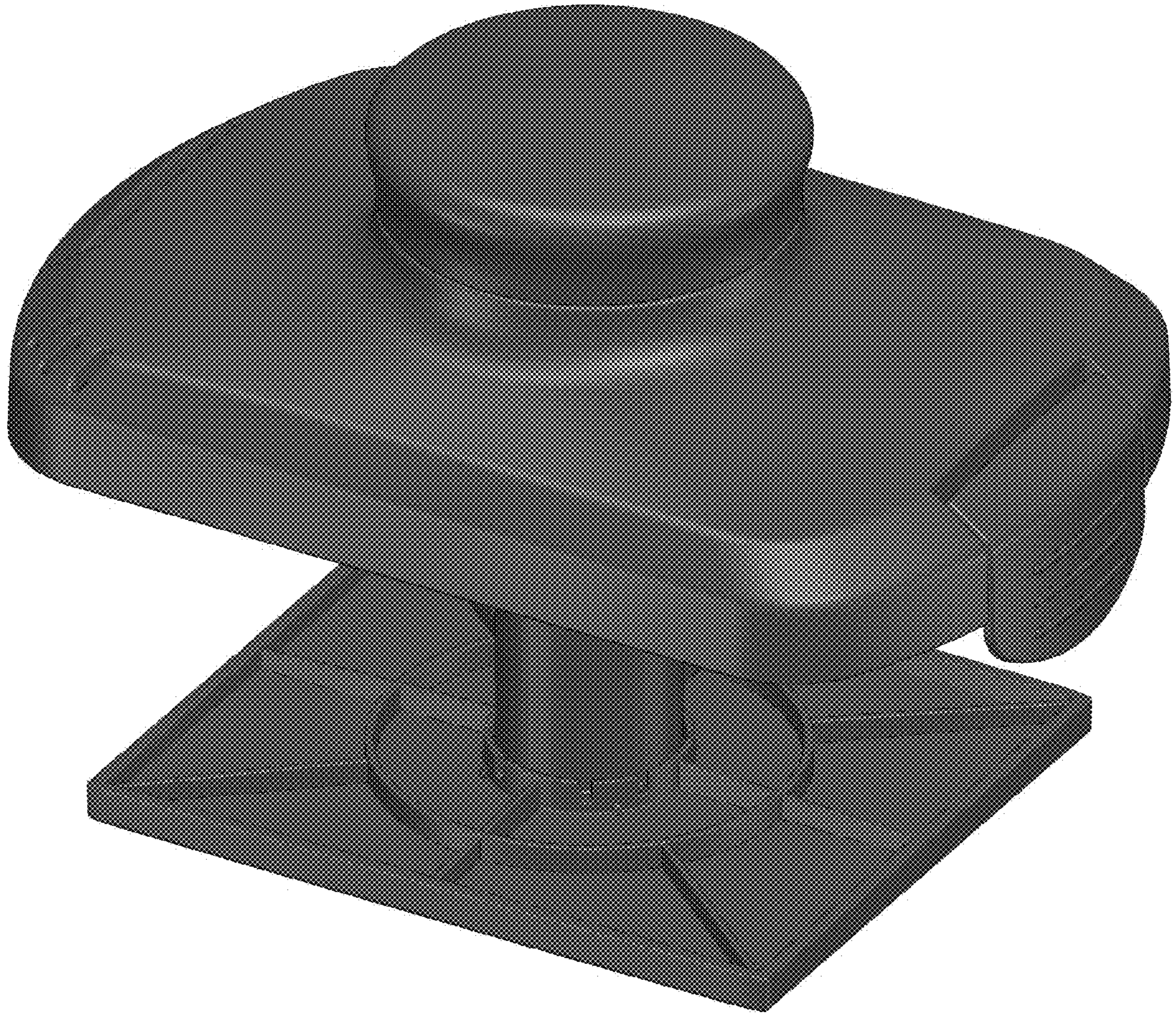


FIG. 2

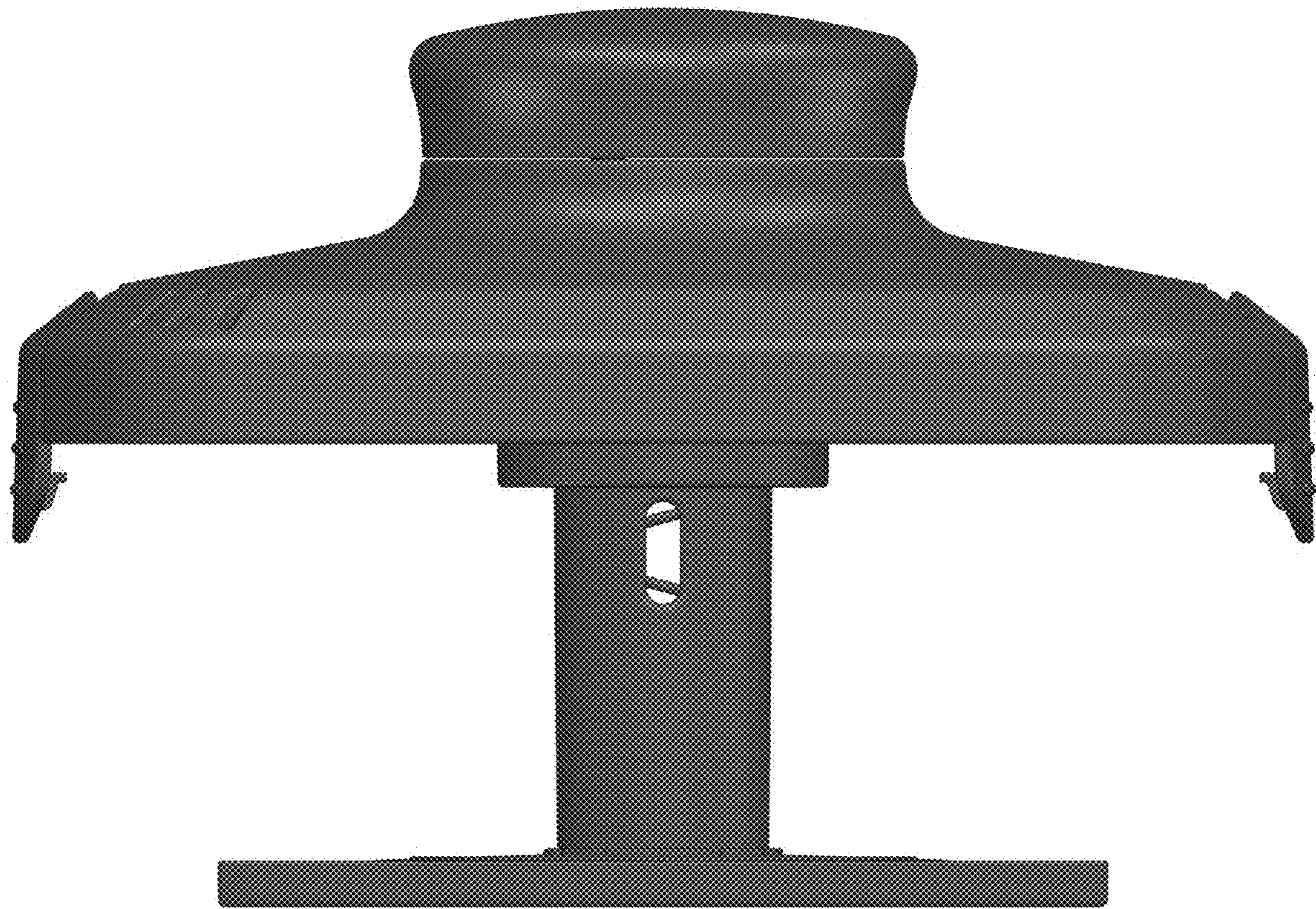


FIG. 3

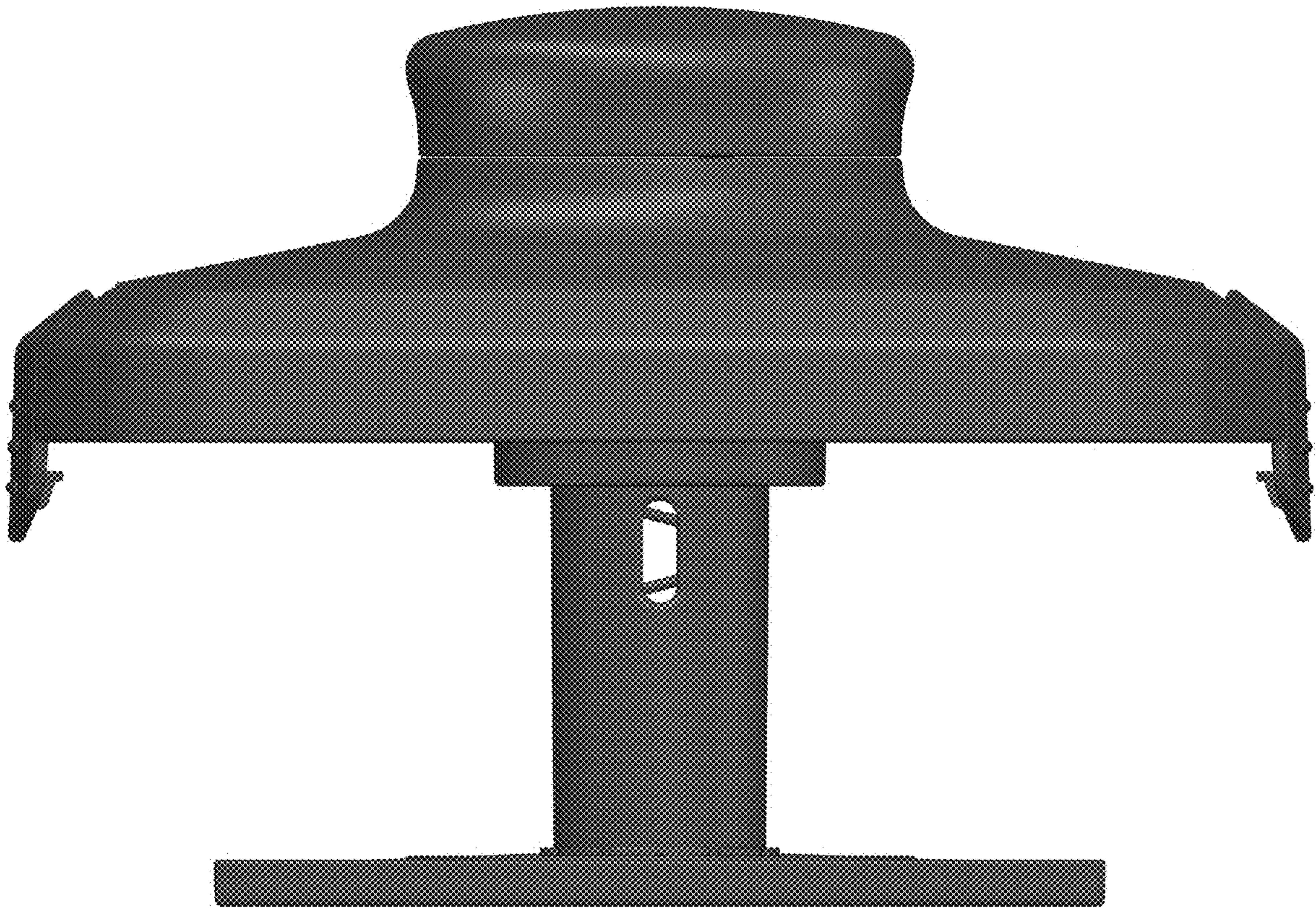


FIG. 4

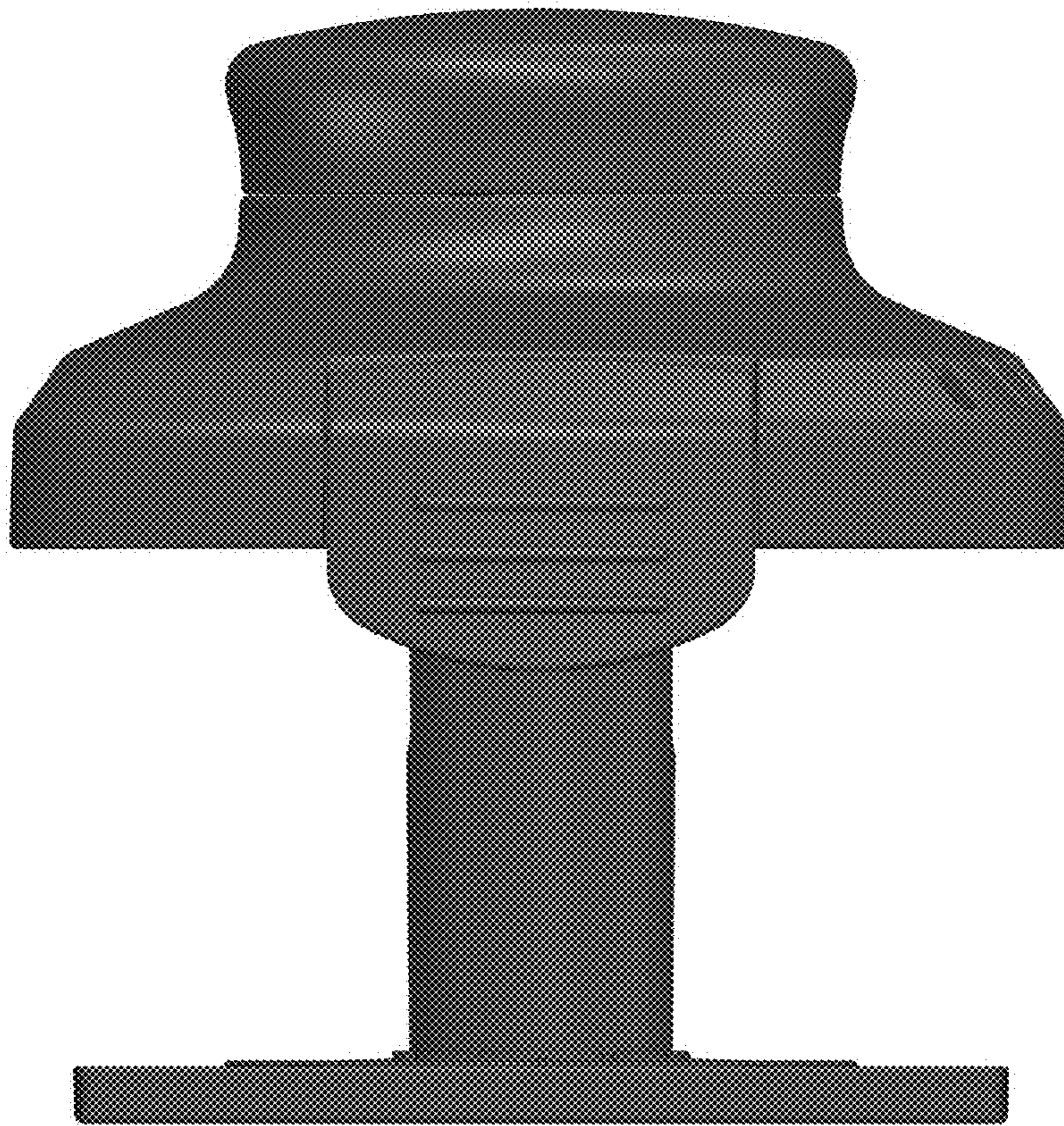


FIG. 5

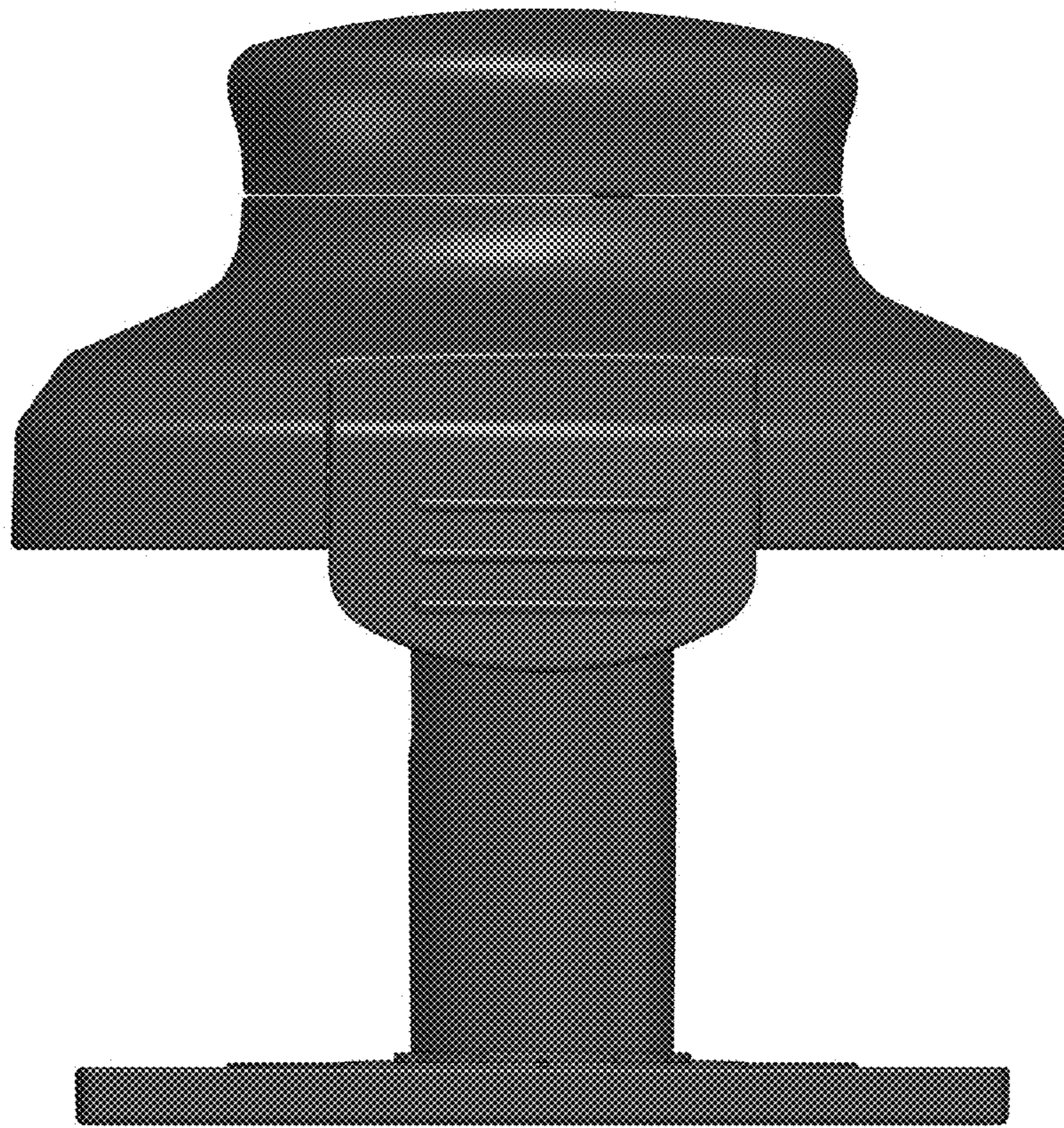


FIG. 6

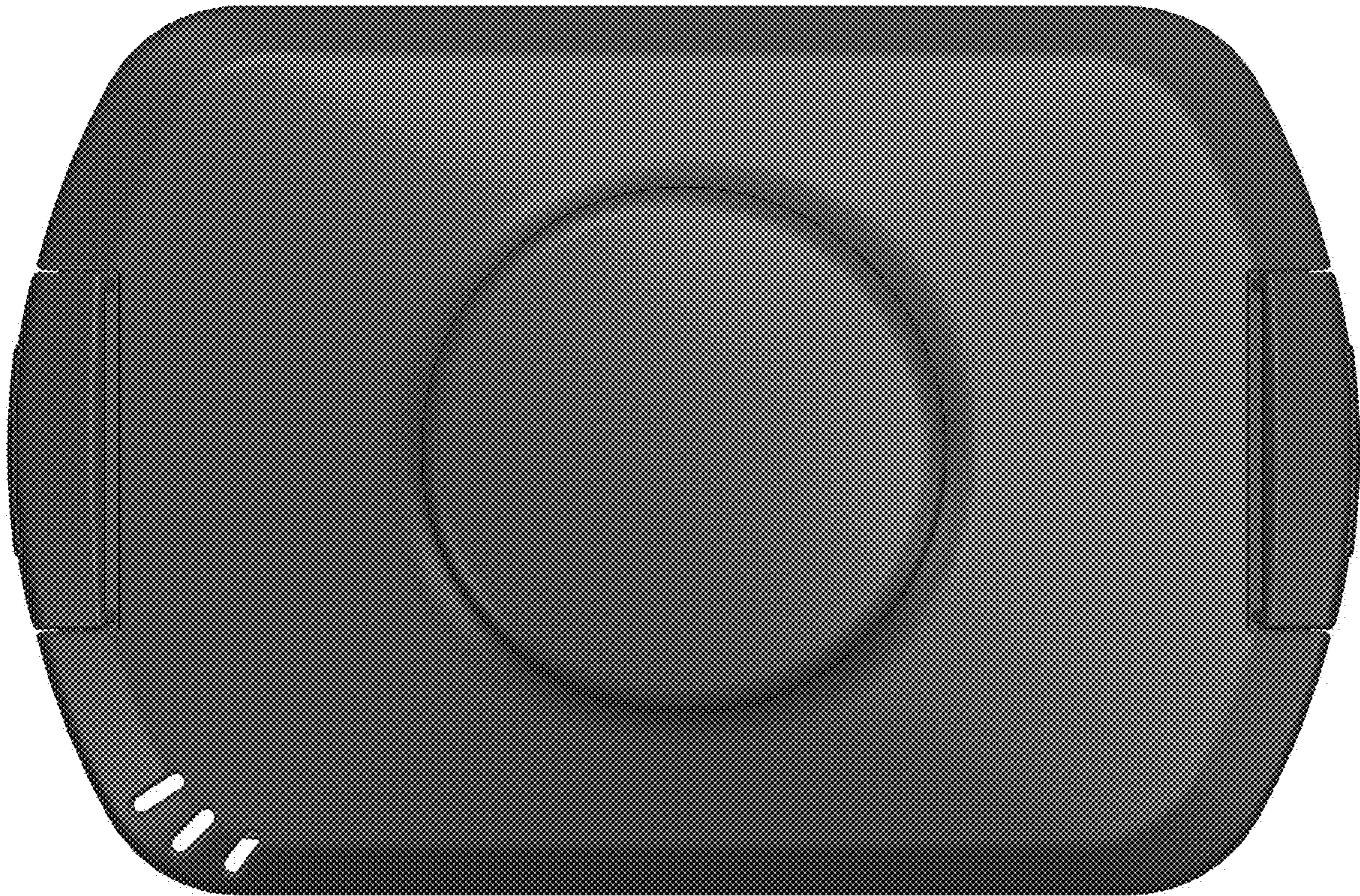


FIG. 7

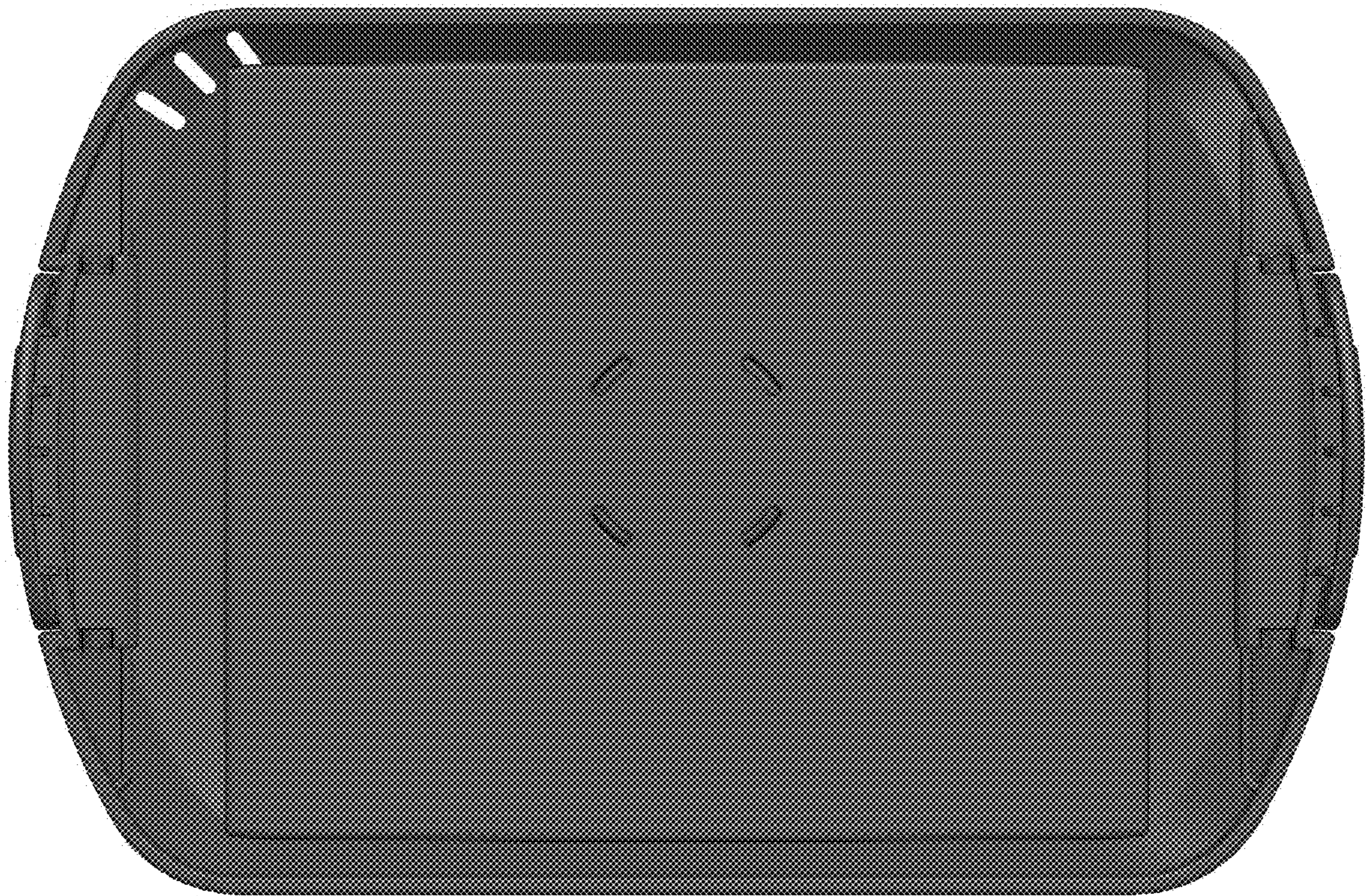


FIG. 8

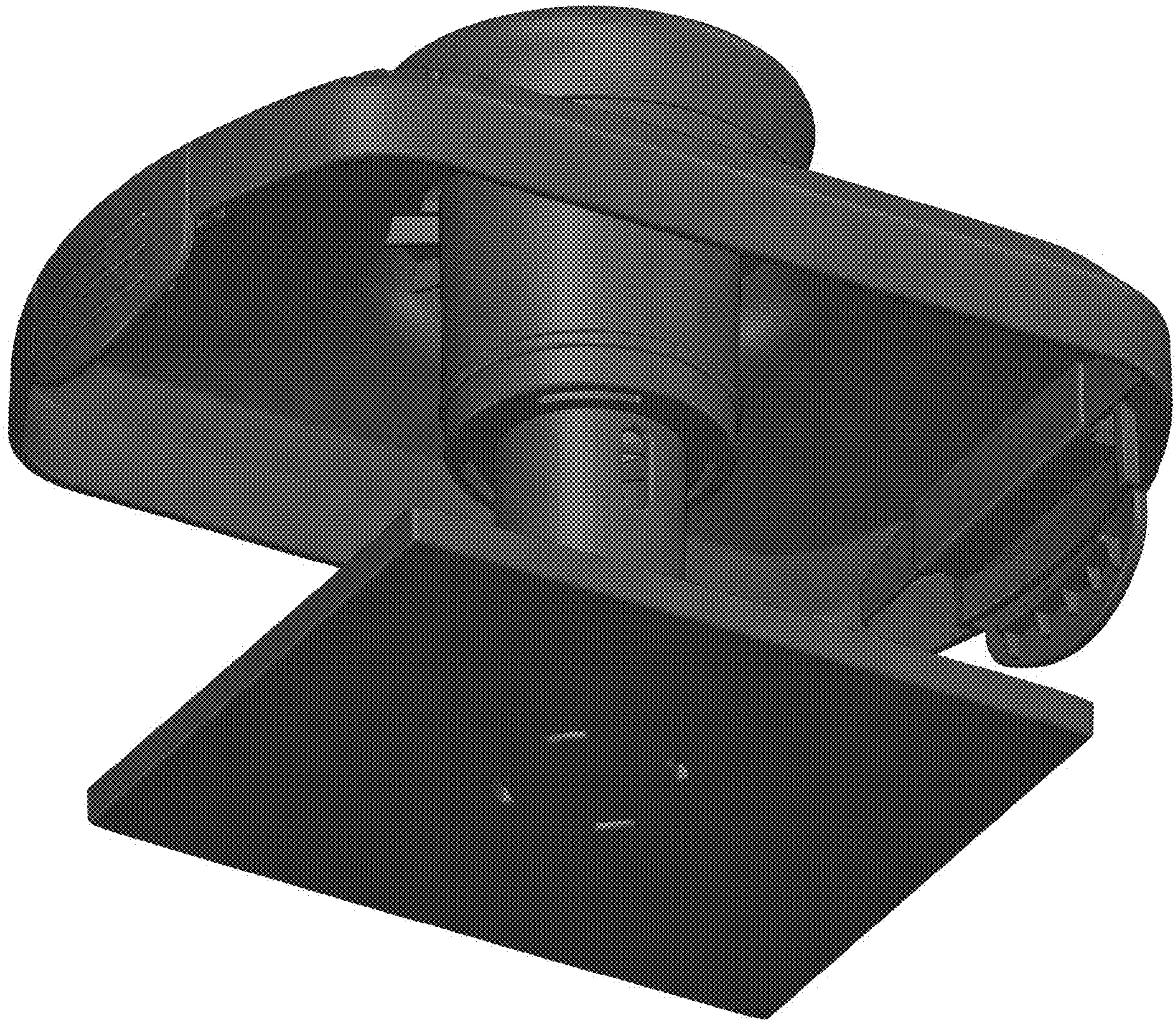


FIG. 9

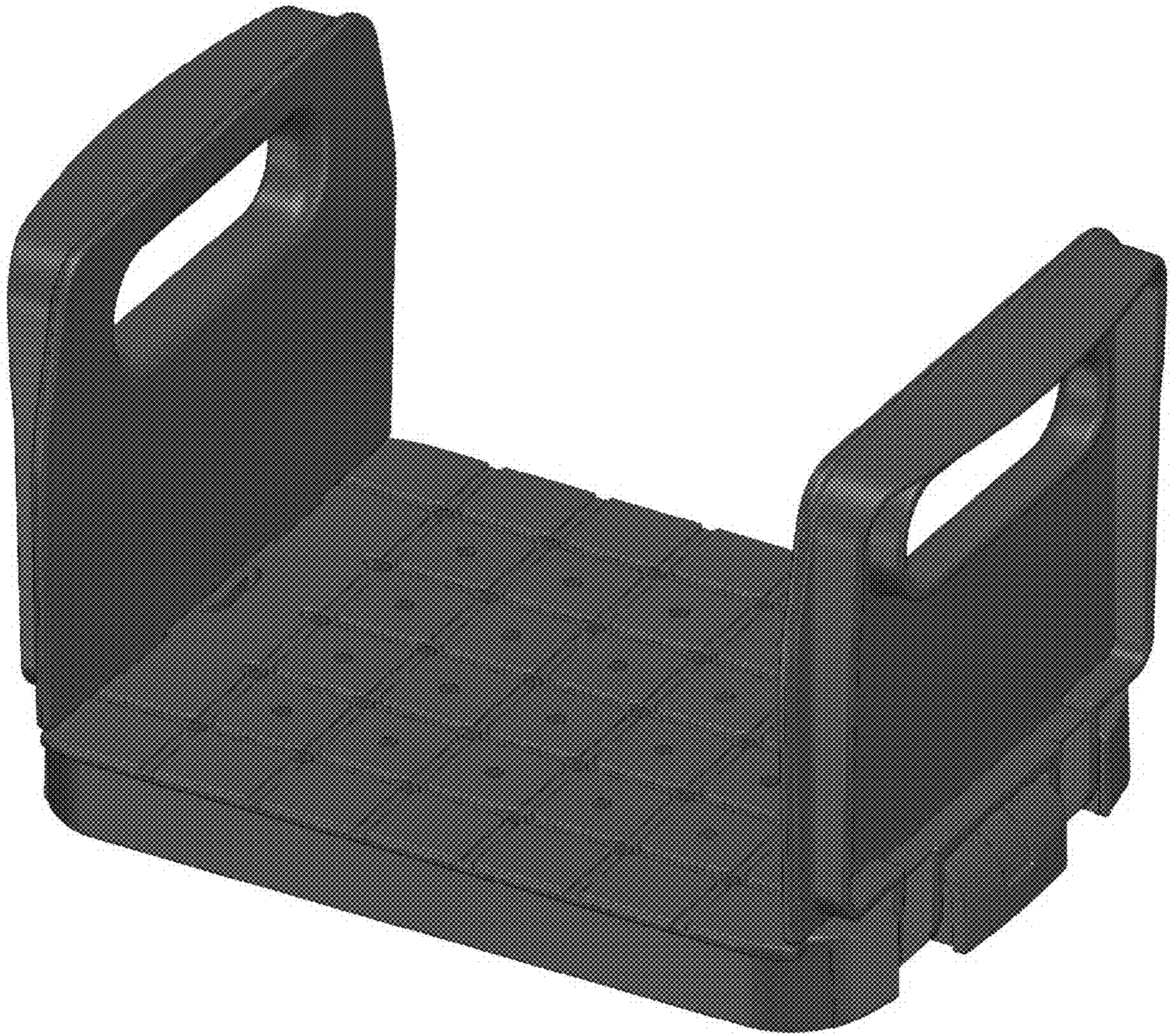


FIG. 10

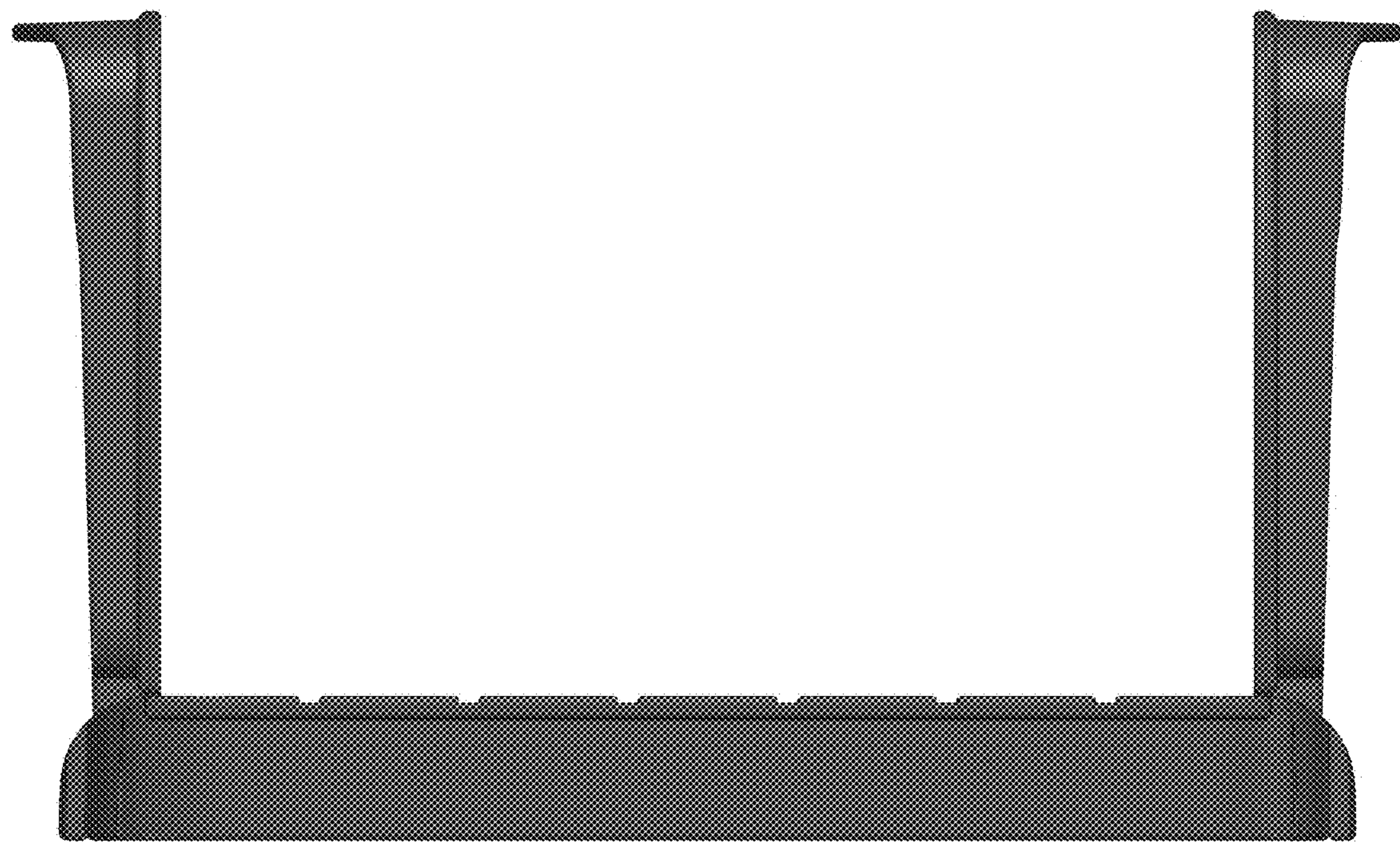


FIG. 11



FIG. 12

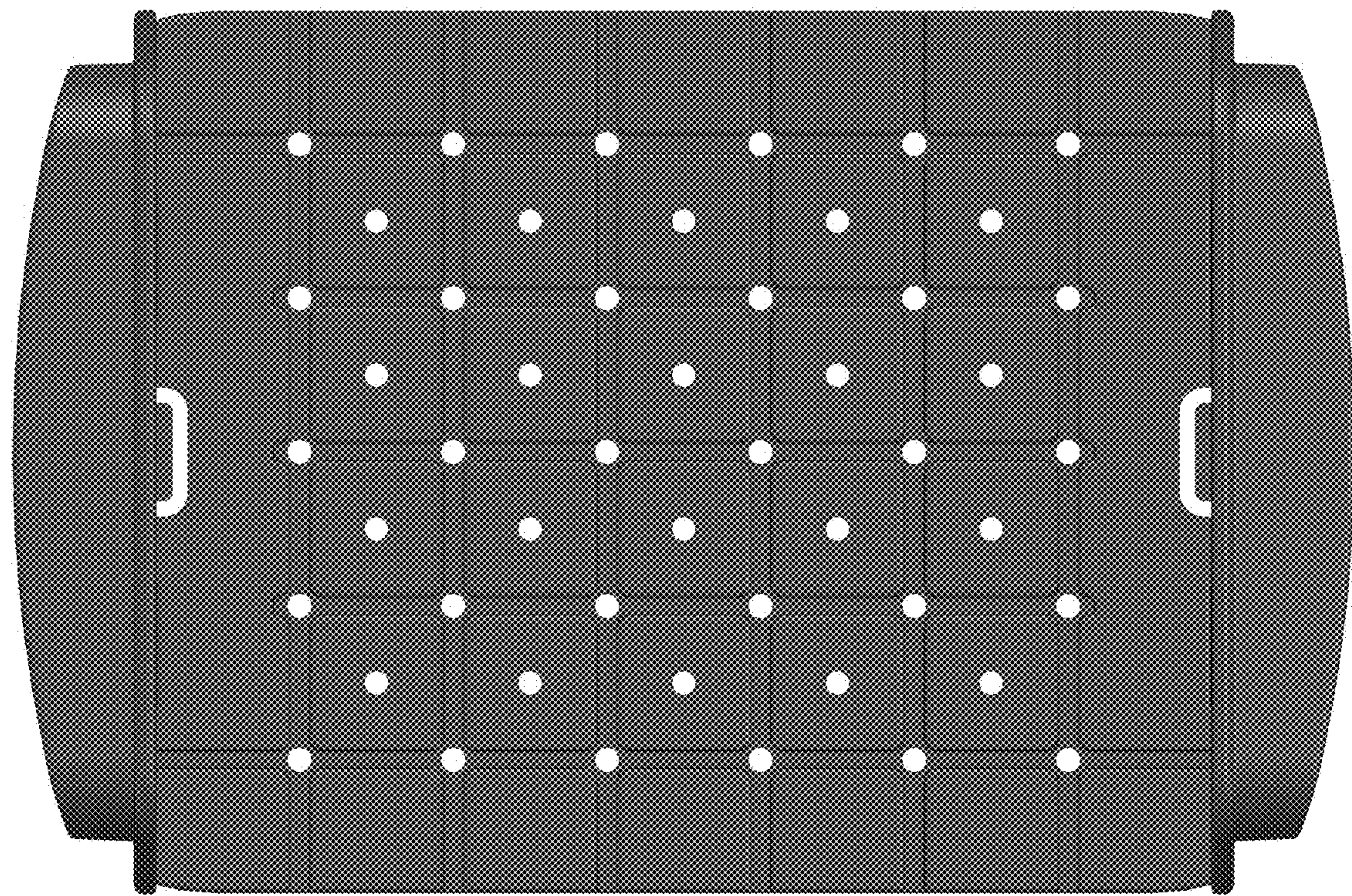


FIG. 13

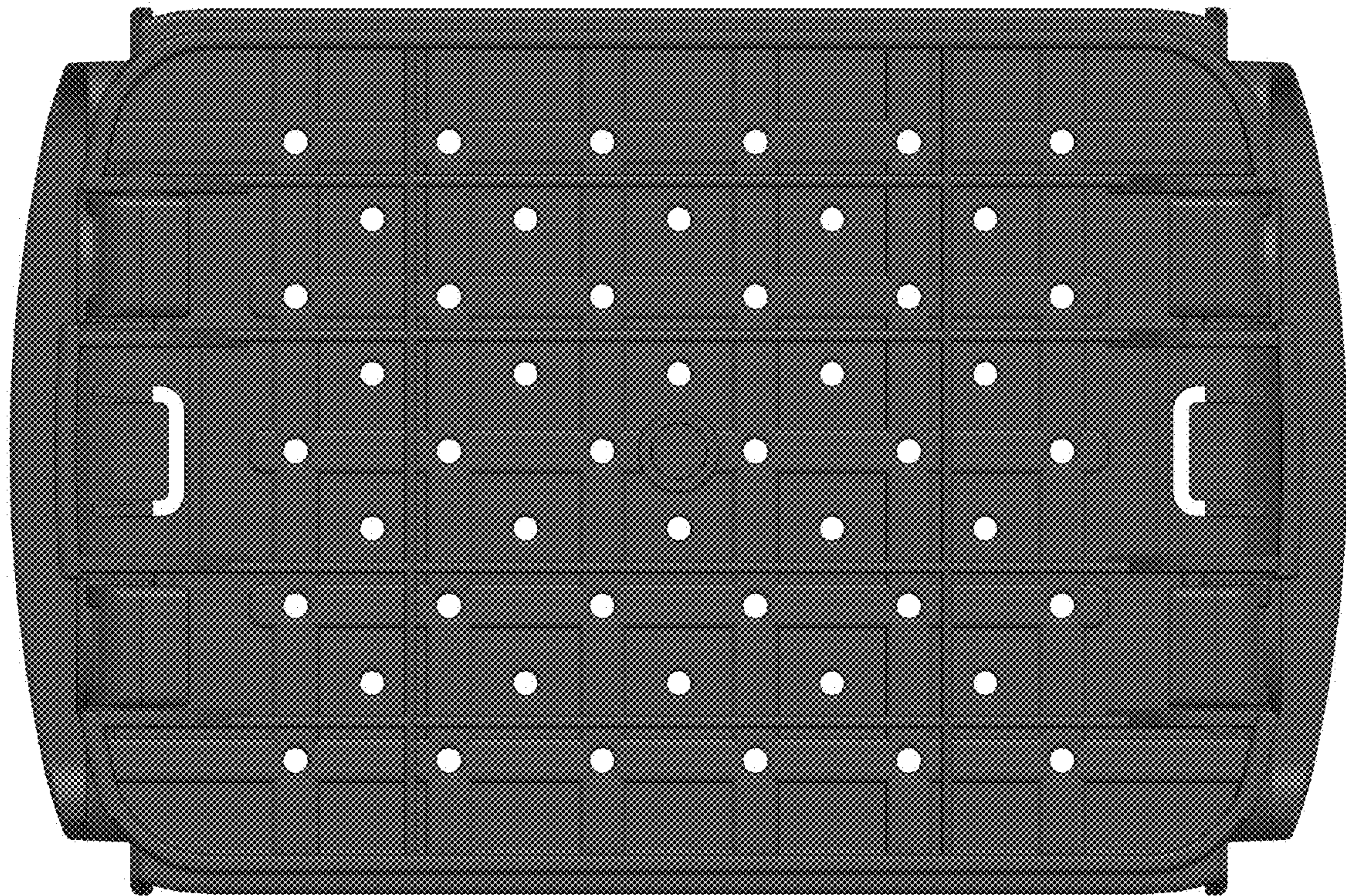


FIG. 14



FIG. 15



FIG. 16

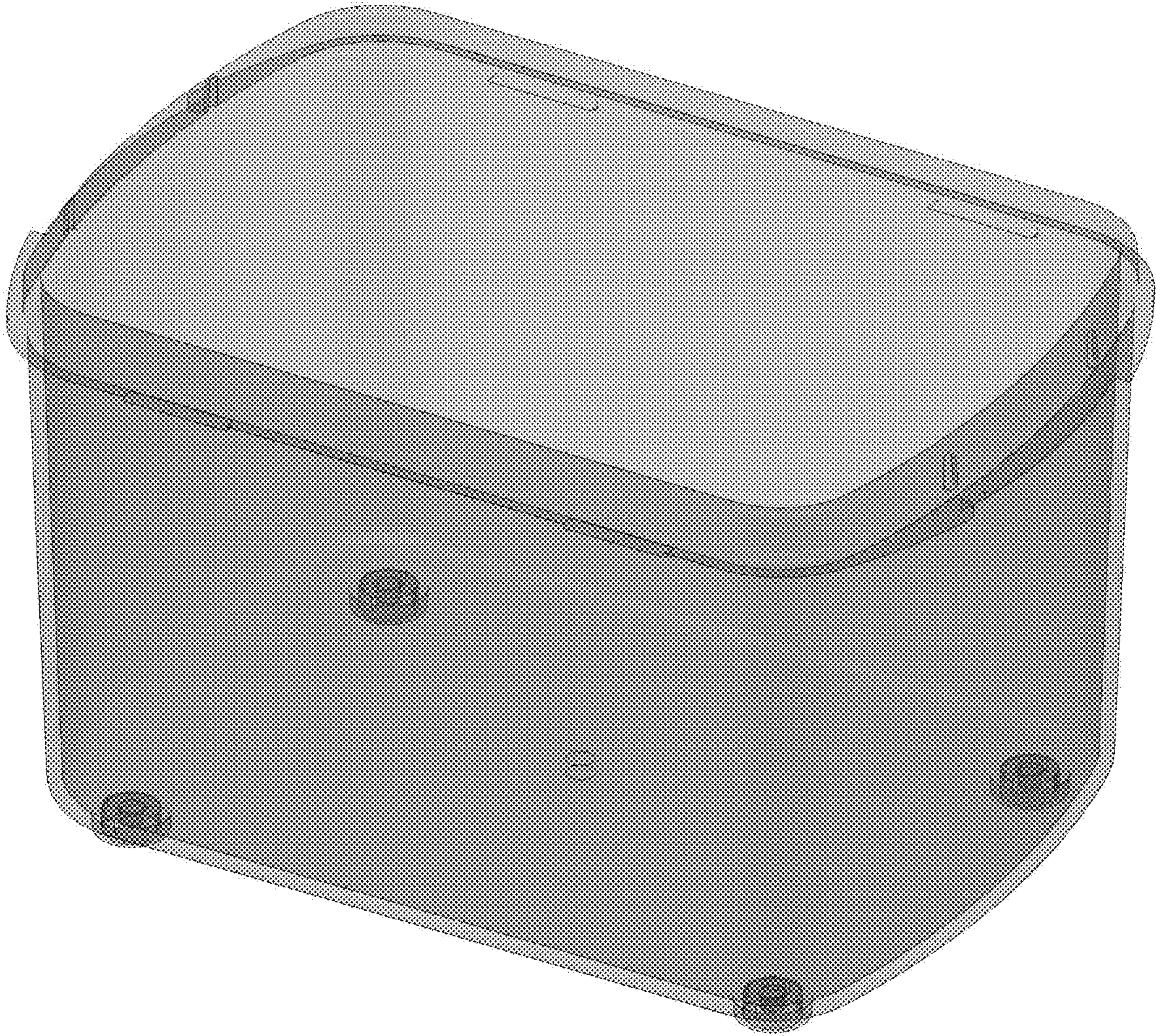


FIG. 17

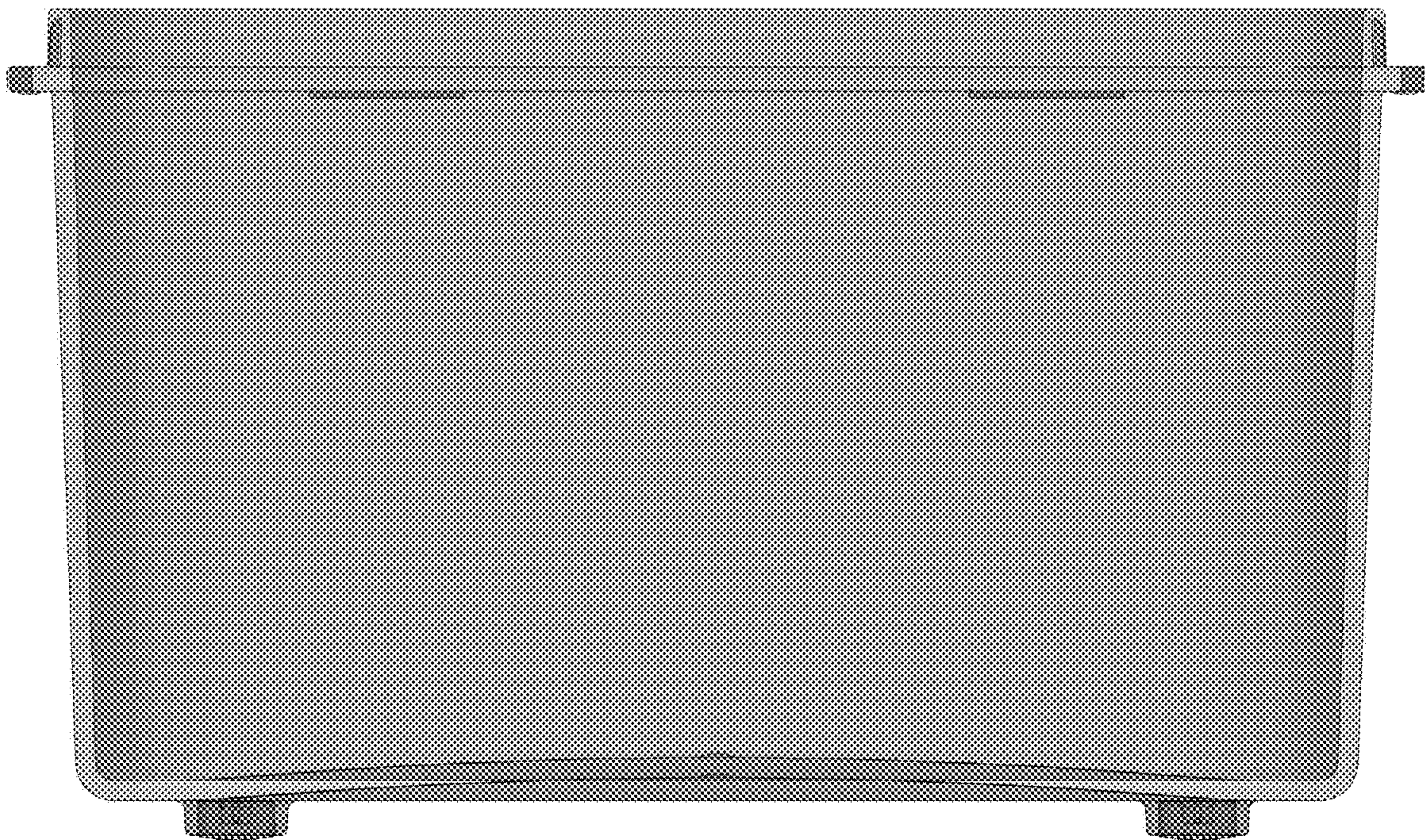


FIG. 18

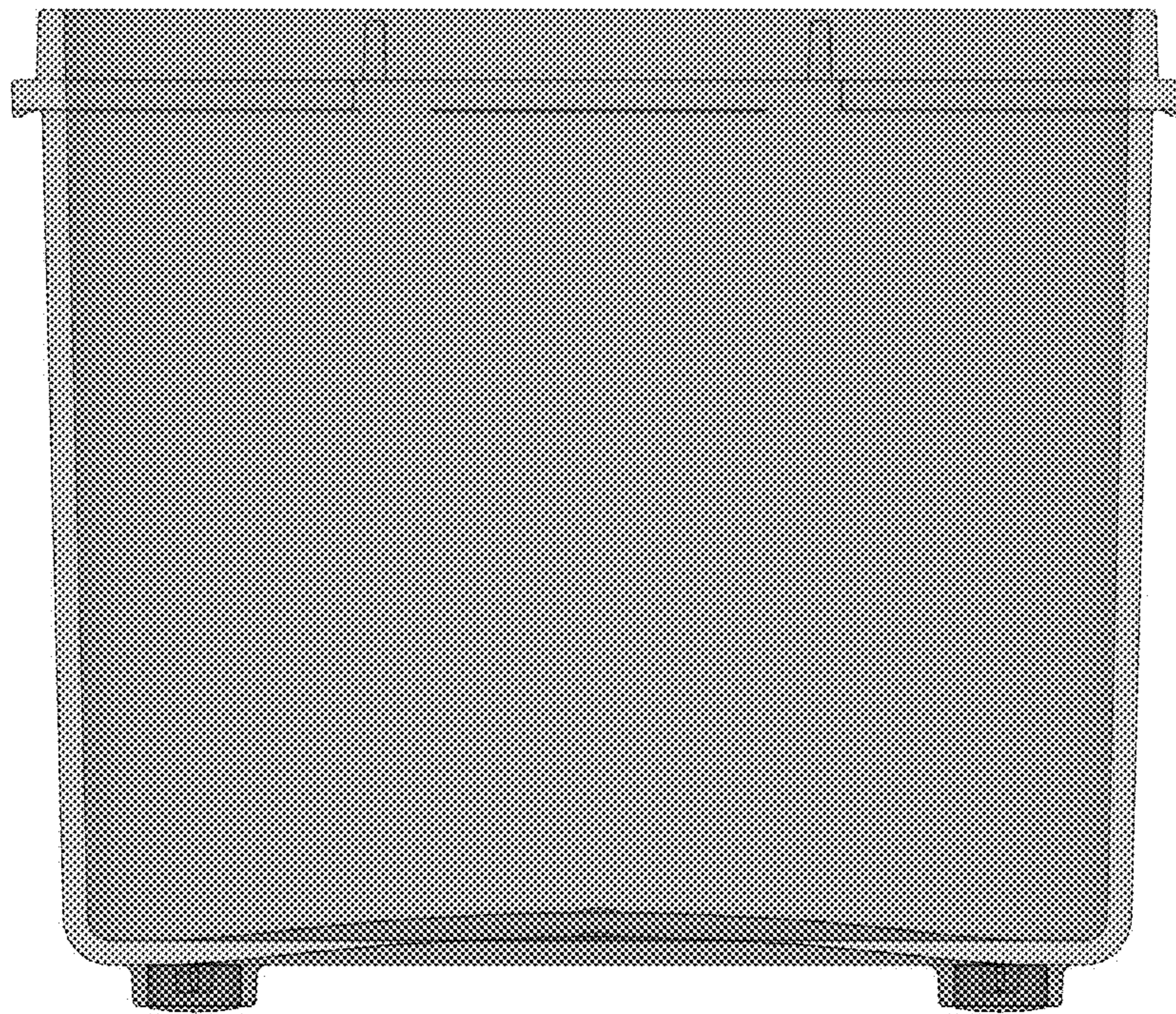


FIG. 19

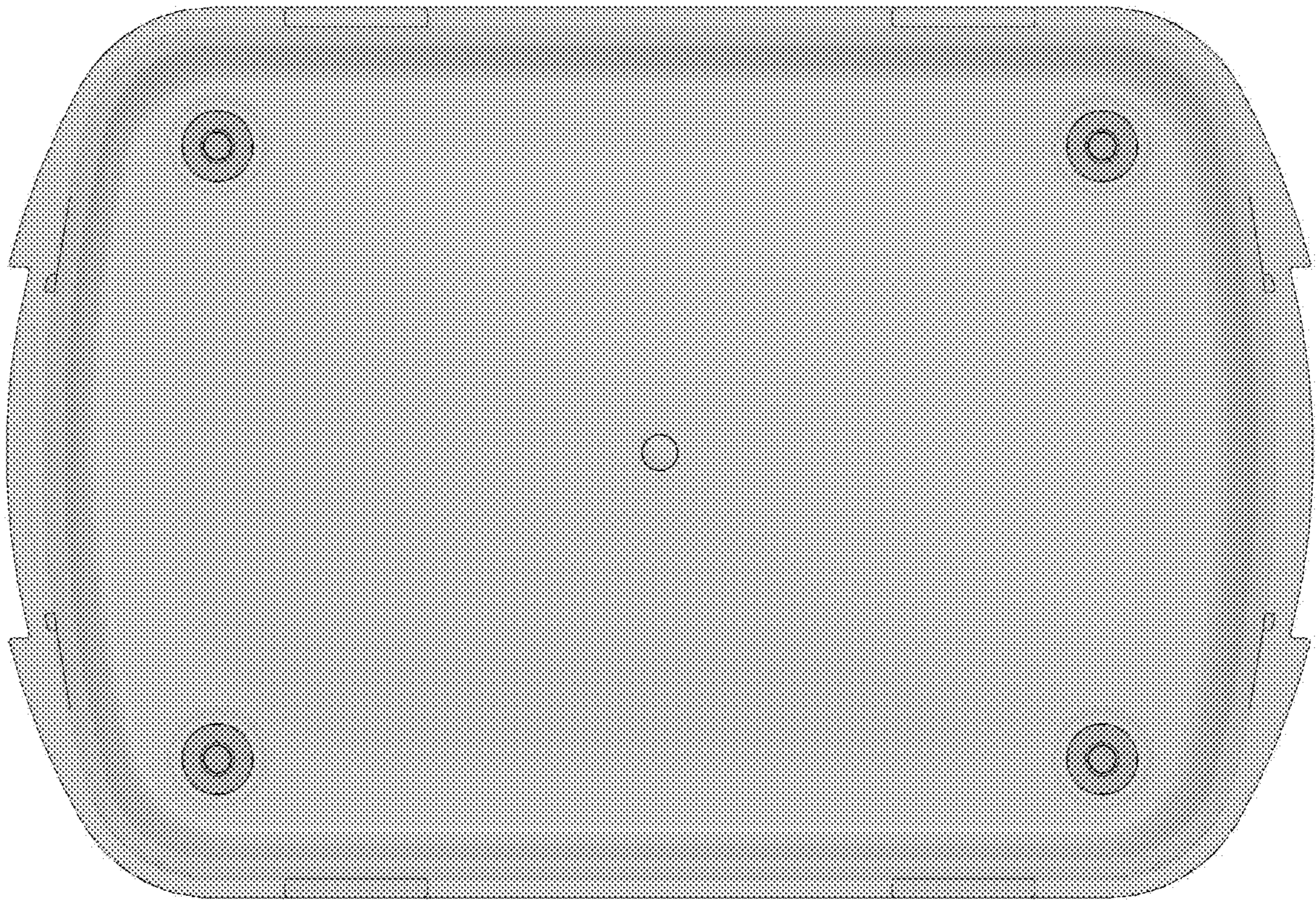


FIG. 20

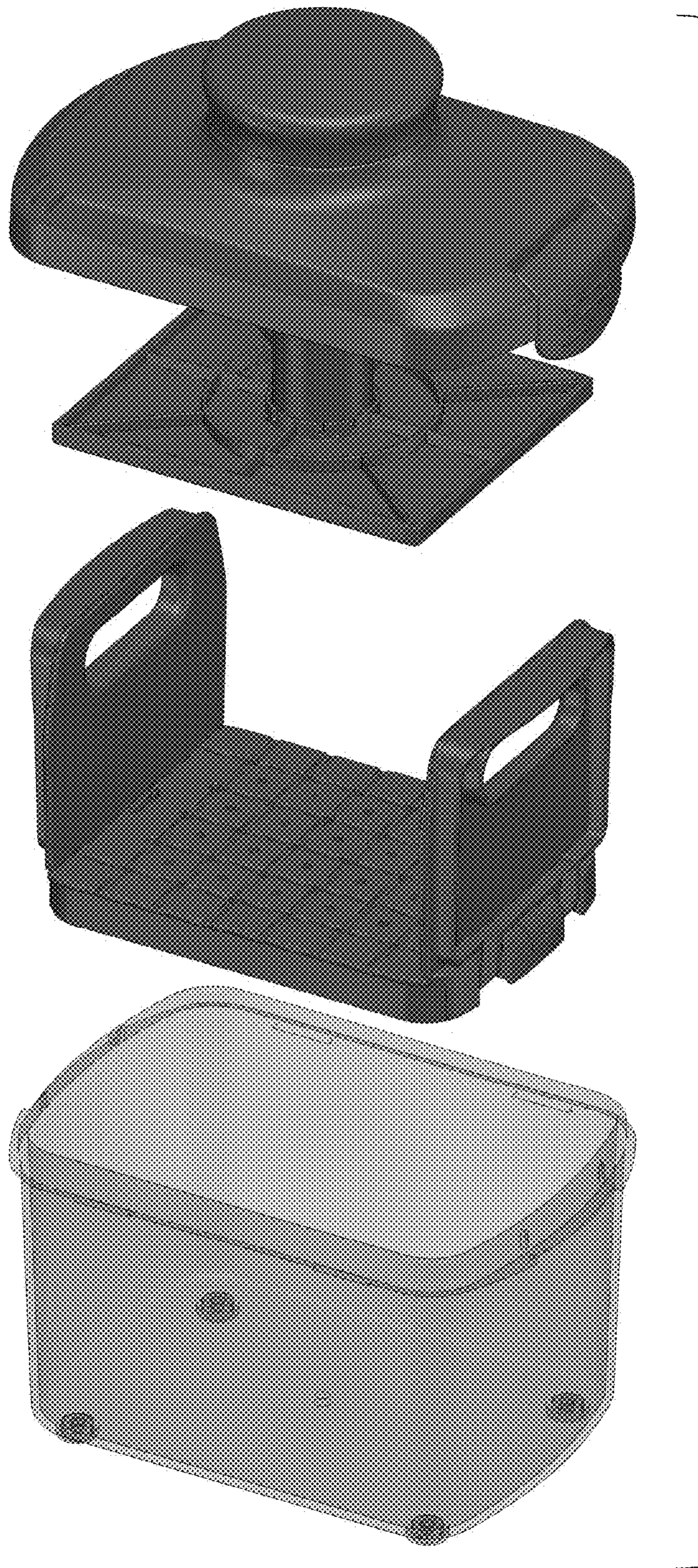


FIG. 21