



US00D983619S

(12) **United States Design Patent**
Qiu

(10) **Patent No.:** **US D983,619 S**
(45) **Date of Patent:** **** Apr. 18, 2023**

(54) **FOLDABLE PIZZA STORAGE CONTAINER**

(71) Applicant: **SHENZHEN GUANGHUI
CHUANGJIA TRADING CO., LTD,**
Shenzhen (CN)

(72) Inventor: **Mingming Qiu,** Dongguan (CN)

(73) Assignee: **SHENZHEN GUANGHUI
CHUANGJIA TRADING CO., LTD,**
Shenzhen (CN)

(**) Term: **15 Years**

(21) Appl. No.: **29/870,381**

(22) Filed: **Jan. 24, 2023**

(51) **LOC (14) Cl.** **07-07**

(52) **U.S. Cl.**
USPC **D7/629**

(58) **Field of Classification Search**
USPC D7/538-542, 584, 586, 587, 601, 602,
D7/612, 615, 628-630, 701;
D9/424-426, 428, 643
CPC . A45C 11/20; A47J 47/02; A47J 47/04; A47J
47/06; A47J 47/08; A47J 47/10; A47J
47/14; A47J 47/145; B65D 21/086; B65D
2543/00111; B65D 2543/0012; B65D
2543/00157; B65D 2543/00296; B65D
2585/366

See application file for complete search history.

(56) **References Cited**

U.S. PATENT DOCUMENTS

D336,589 S * 6/1993 Schindler D7/629
D391,808 S * 3/1998 Voegel D7/610
D418,371 S * 1/2000 Whitehead D7/629
D455,318 S * 4/2002 Miller D7/602
D455,614 S * 4/2002 Miller D7/629
D480,512 S * 10/2003 Sheng D7/629
D530,197 S * 10/2006 LaMasney D9/420
D542,507 S 5/2007 Holland

D604,118 S * 11/2009 Braidotti D7/628
D670,162 S * 11/2012 Segal D9/424
D688,920 S * 9/2013 Manley D7/629
D697,375 S 1/2014 Dimeo
D698,613 S 2/2014 Dimeo
D705,612 S * 5/2014 Tran D7/629
D867,872 S * 11/2019 Labonté D9/424

(Continued)

FOREIGN PATENT DOCUMENTS

GB 6255405 * 1/2023

OTHER PUBLICATIONS

Pristain Platinum 100% Silicone Food-grade Plastic-free Collapsible Container, first available Mar. 17, 2021, Amazon, [online], [site visited Mar. 7, 2023], Available from internet URL: <https://www.amazon.com/dp/B08Z9S119F/> (Year: 2021).*

(Continued)

Primary Examiner — Catherine Ho
Assistant Examiner — Natalya M Rapundalo

(57) **CLAIM**

The ornamental design for a foldable pizza storage container, as shown and described.

DESCRIPTION

FIG. 1 is a top perspective view of a foldable pizza storage container showing my new design;
FIG. 2 is a front view thereof;
FIG. 3 is a rear view thereof;
FIG. 4 is a left side view thereof;
FIG. 5 is a right side view thereof;
FIG. 6 is a top view thereof;
FIG. 7 is a bottom view thereof;
FIG. 8 is a bottom perspective view thereof; and,
FIG. 9 is a top perspective view thereof shown with the lid in an open configuration.

1 Claim, 9 Drawing Sheets



(56)

References Cited

U.S. PATENT DOCUMENTS

D974,123 S * 1/2023 Koenig B65D 1/0292
D7/629
2015/0251795 A1* 9/2015 Tsui B65D 1/0292
215/379
2021/0047081 A1* 2/2021 Johnson B65D 43/0222

OTHER PUBLICATIONS

Extendable Pizza Slice Container, first available Aug. 28, 2022, Amazon, [online], [site visited Mar. 6, 2023], Available from internet URL: <https://www.amazon.com/Extendable-Container-Microwavable-Microwave-Dishwasher/dp/B0BC6FBCW8> (Year: 2022).*

* cited by examiner



FIG. 1

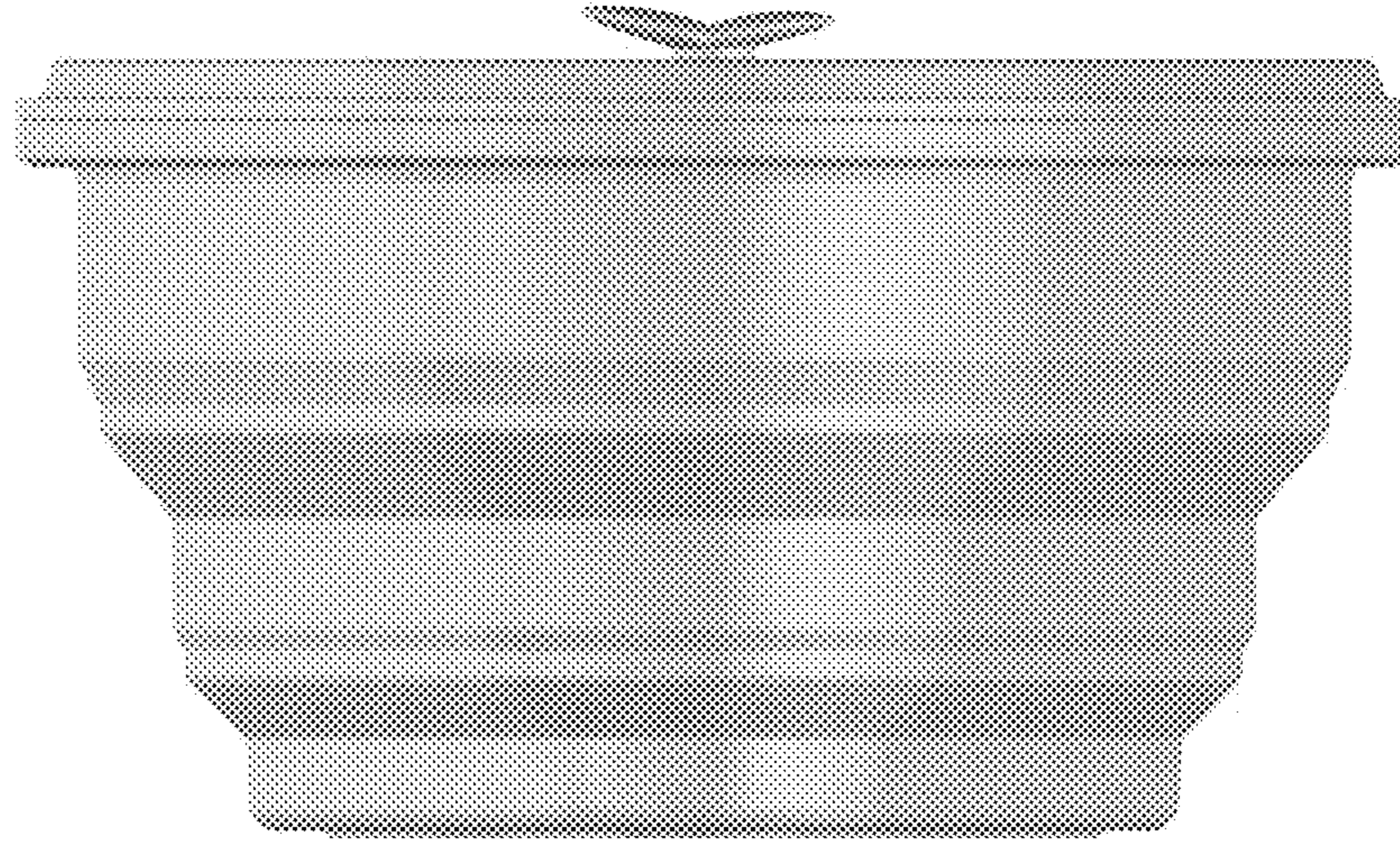


FIG. 2

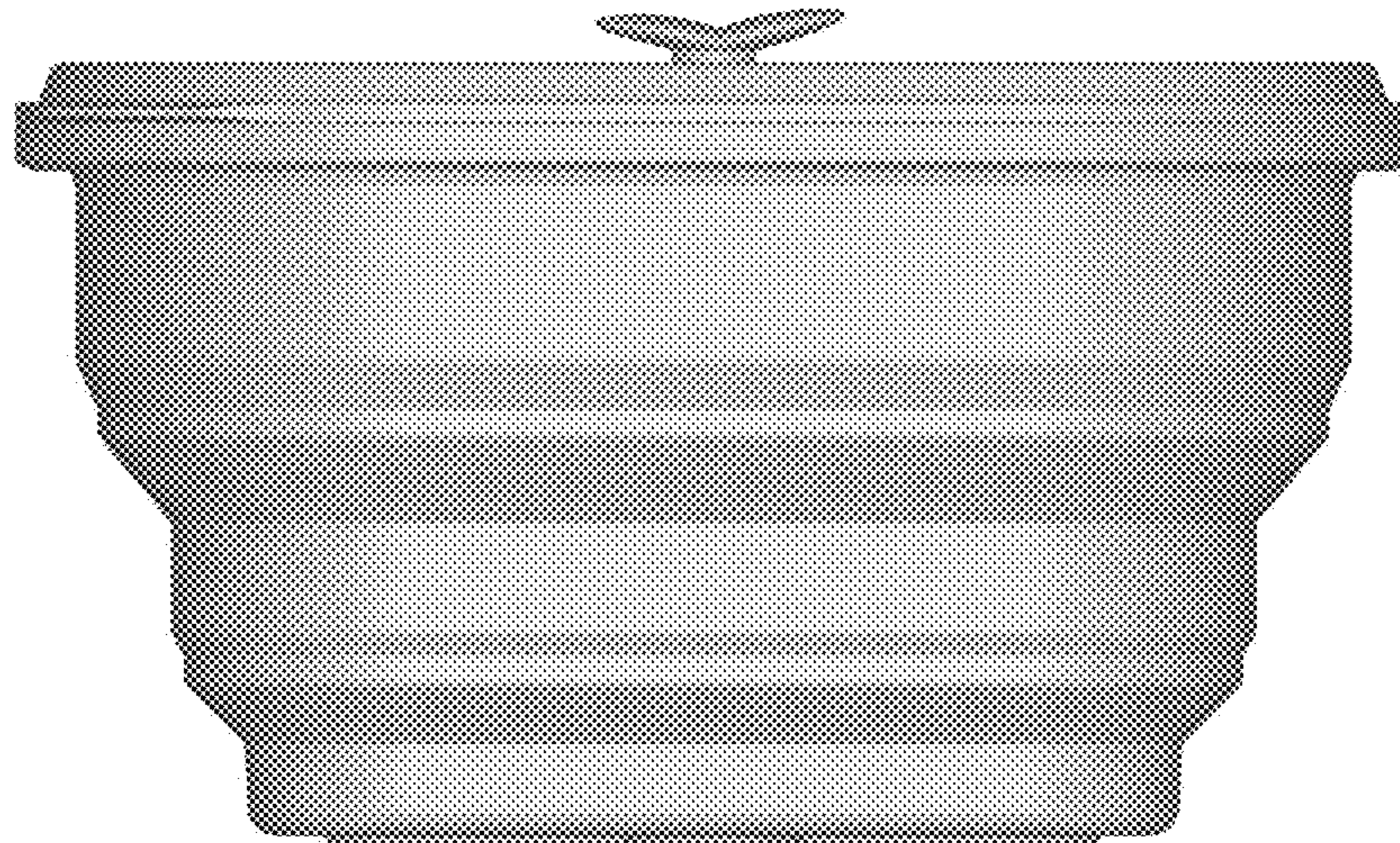


FIG. 3

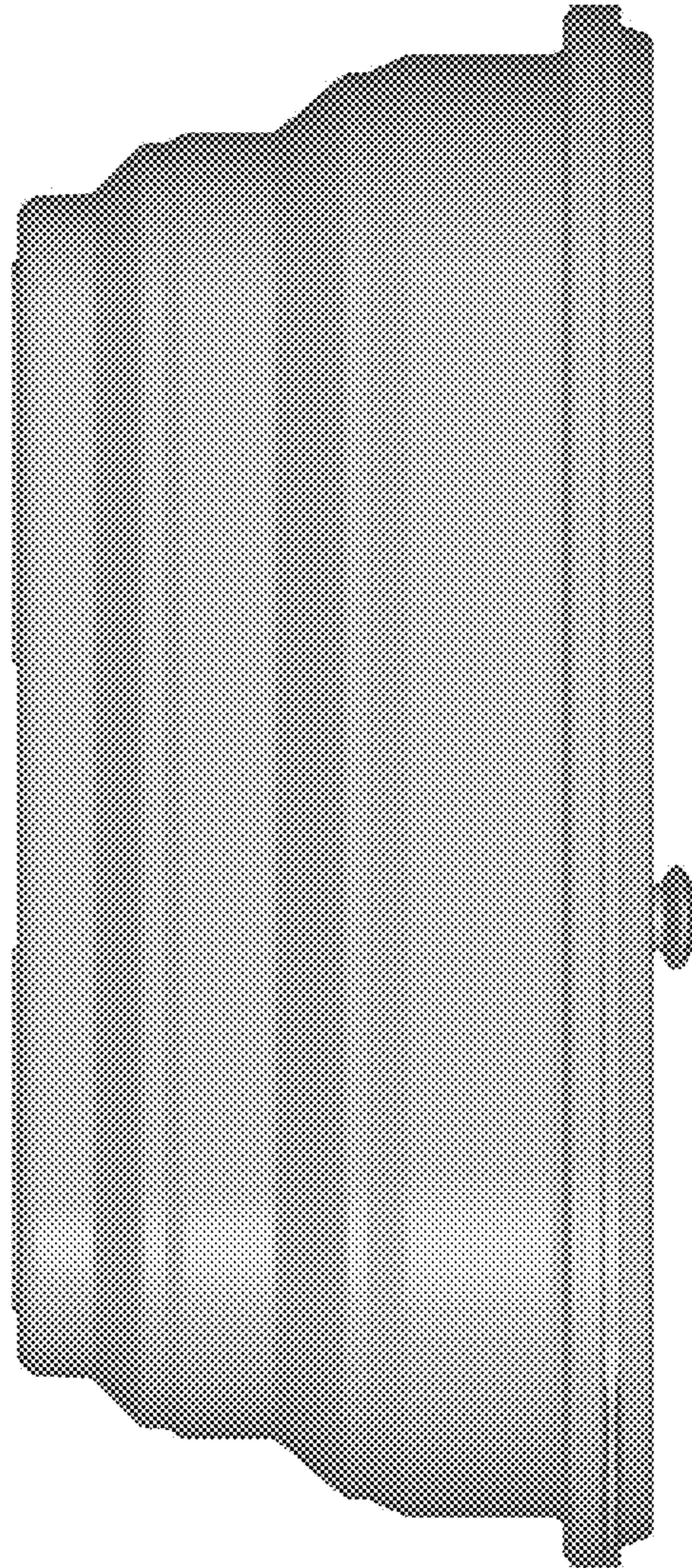


FIG. 4

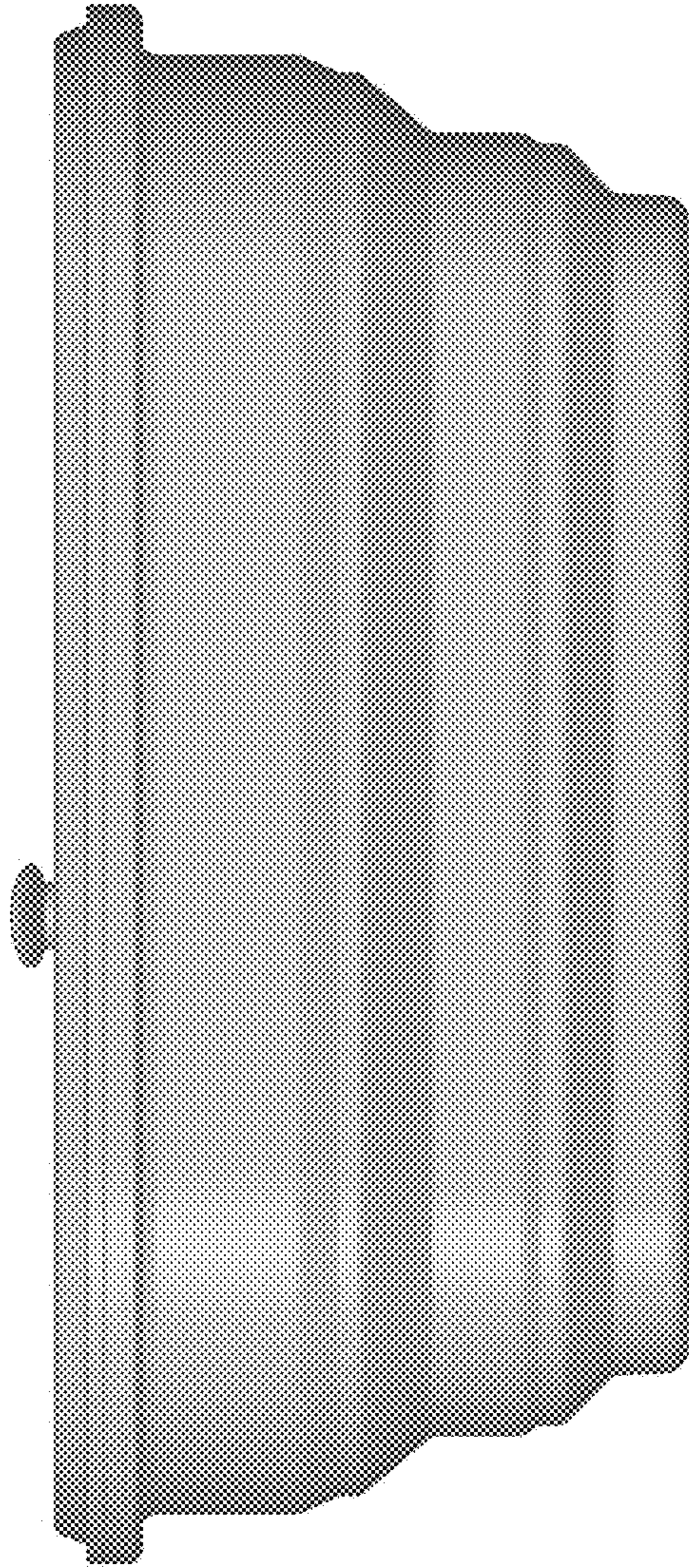


FIG. 5

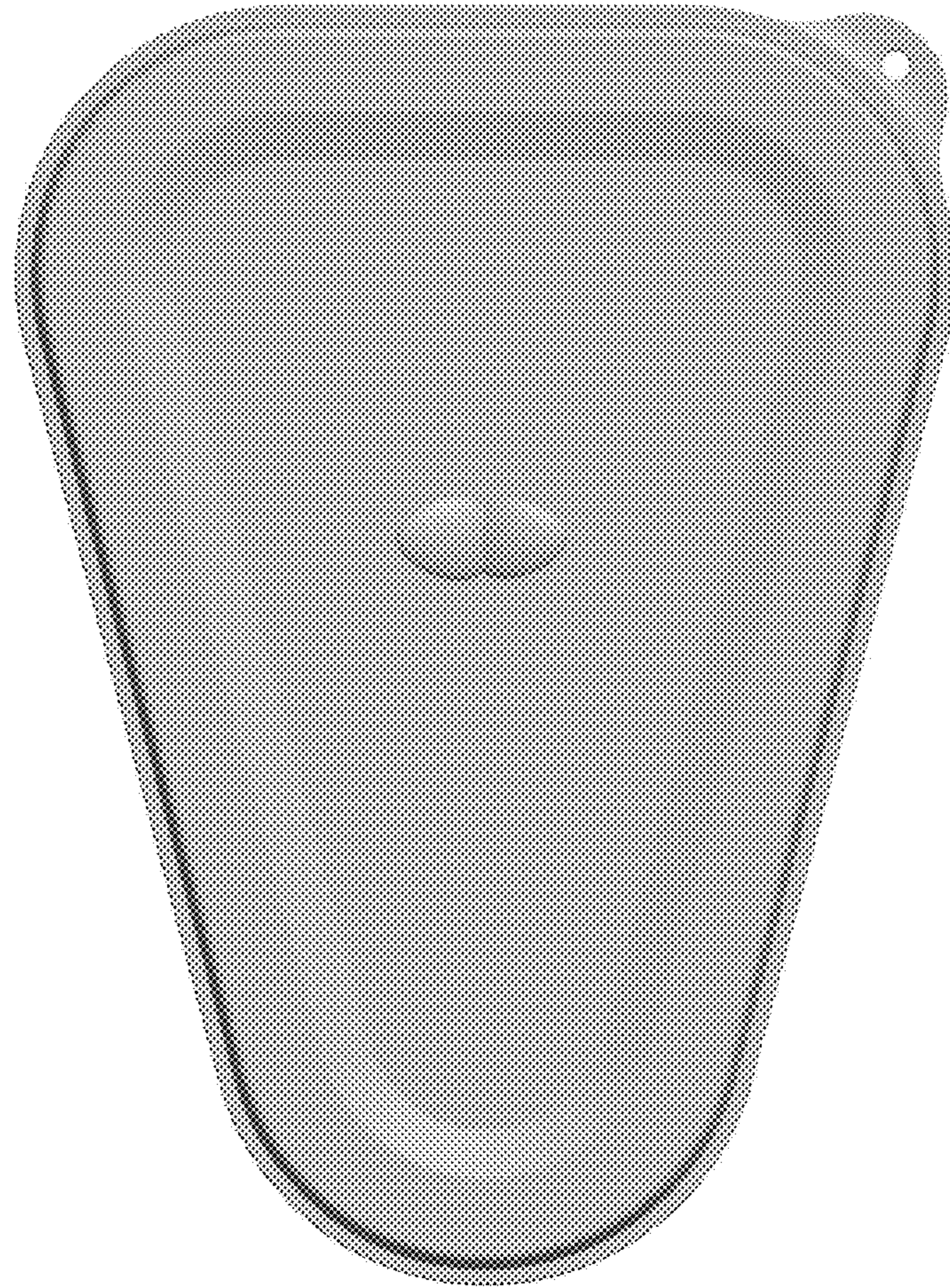


FIG. 6



FIG. 7

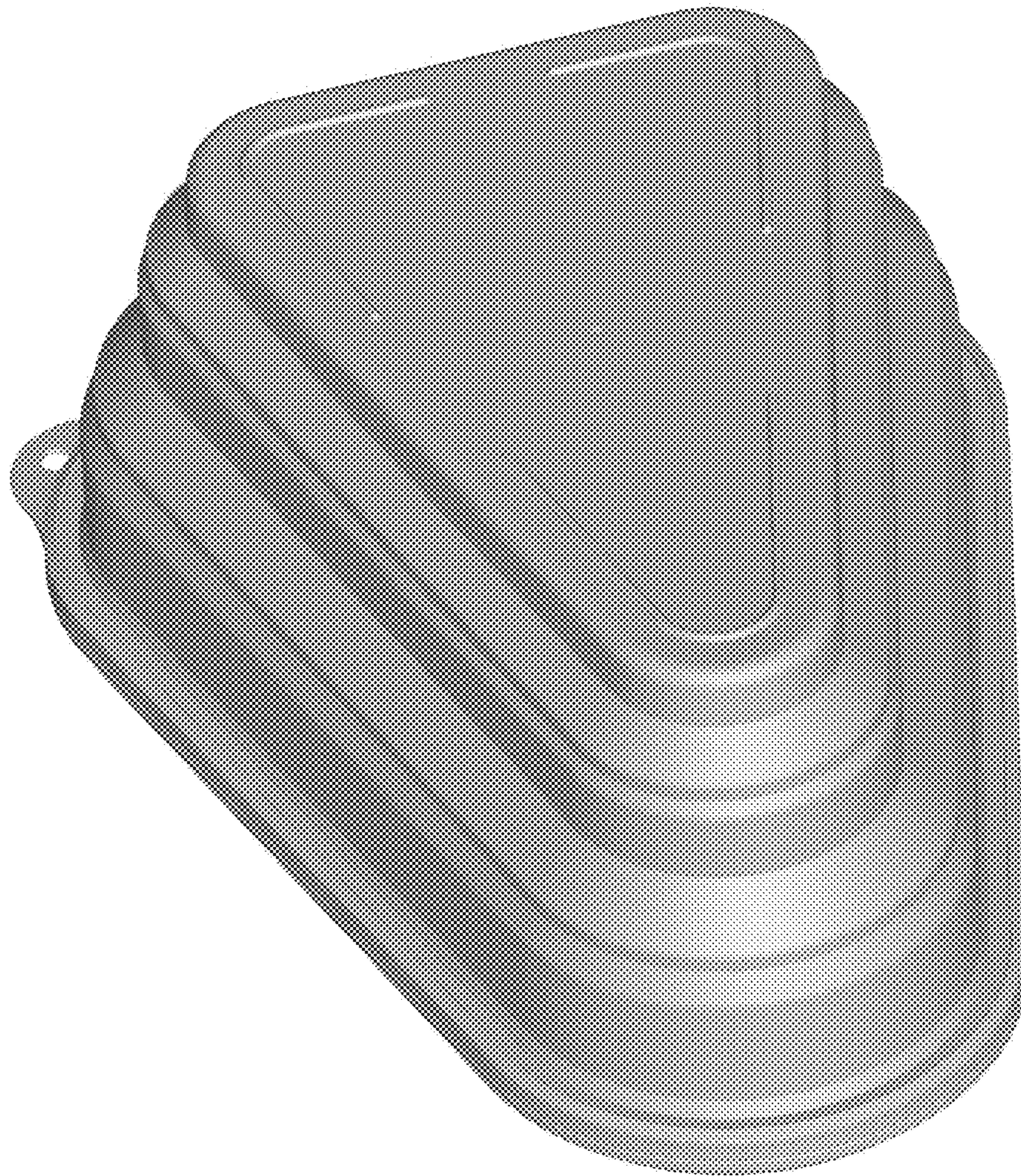


FIG. 8

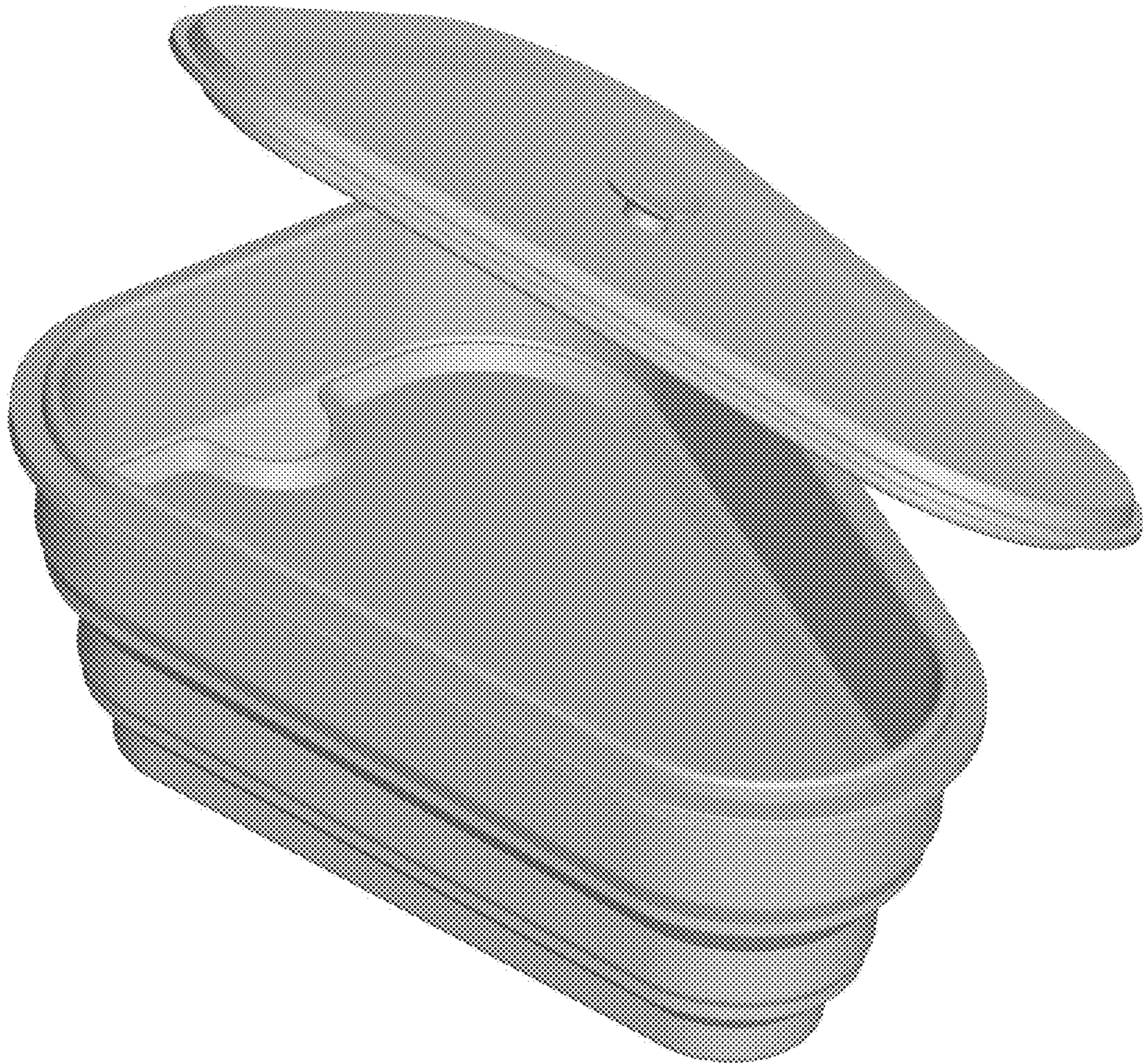


FIG. 9