



US00D983618S

(12) **United States Design Patent**
Peralta

(10) **Patent No.:** **US D983,618 S**
(45) **Date of Patent:** **** Apr. 18, 2023**

- (54) **CONTAINER FOR FOOD**
- (71) Applicant: **Bear Down Brands, LLC**, Huntington Beach, CA (US)
- (72) Inventor: **Samantha Peralta**, Huntington Beach, CA (US)
- (73) Assignee: **Bear Down Brands, LLC**, Santa Ana, CA (US)

D305,409 S *	1/1990	Michaud	D9/759
D494,857 S *	8/2004	Chen	D9/759
D572,148 S *	7/2008	Mangino	D9/737
D763,706 S *	8/2016	Shum	D9/737
D830,796 S *	10/2018	Chen	D7/703
D880,956 S *	4/2020	Tan	D7/629
D900,640 S *	11/2020	Huang	D9/425
D905,573 S *	12/2020	Flanagan	D9/425
2009/0200701 A1 *	8/2009	Kovacevich	A47G 23/06 264/250
2018/0086500 A1 *	3/2018	Kuo	B65D 21/0233
2019/0375551 A1 *	12/2019	Bell	B65D 25/06

(**) Term: **15 Years**

(21) Appl. No.: **29/771,911**

(22) Filed: **Feb. 25, 2021**

(51) **LOC (14) Cl.** **07-07**

(52) **U.S. Cl.**
USPC **D7/629; D7/703**

(58) **Field of Classification Search**
USPC D7/629, 709, 701-708; D9/761, 424-432
CPC A47G 19/06; A47G 19/08; A47G 19/00;
A47G 19/02; A47G 23/02; A47G 23/06;
B65D 1/36; B65D 1/34; B65D 43/0212;
B65D 43/00; B65D 43/0214; B65D
43/0222; B65D 45/20; B65D 25/00;
B65D 25/04; B65D 21/00; B65D
21/0233; A47J 47/14; A45C 11/20
See application file for complete search history.

(56) **References Cited**

U.S. PATENT DOCUMENTS

D272,029 S *	1/1984	Grusin	D7/629
D285,413 S *	9/1986	Carlson	D9/425

* cited by examiner

Primary Examiner — Terry A Wallace

(74) *Attorney, Agent, or Firm* — Gloria Tsui-Yip;
Gottlieb, Rackman & Reisman P.C.

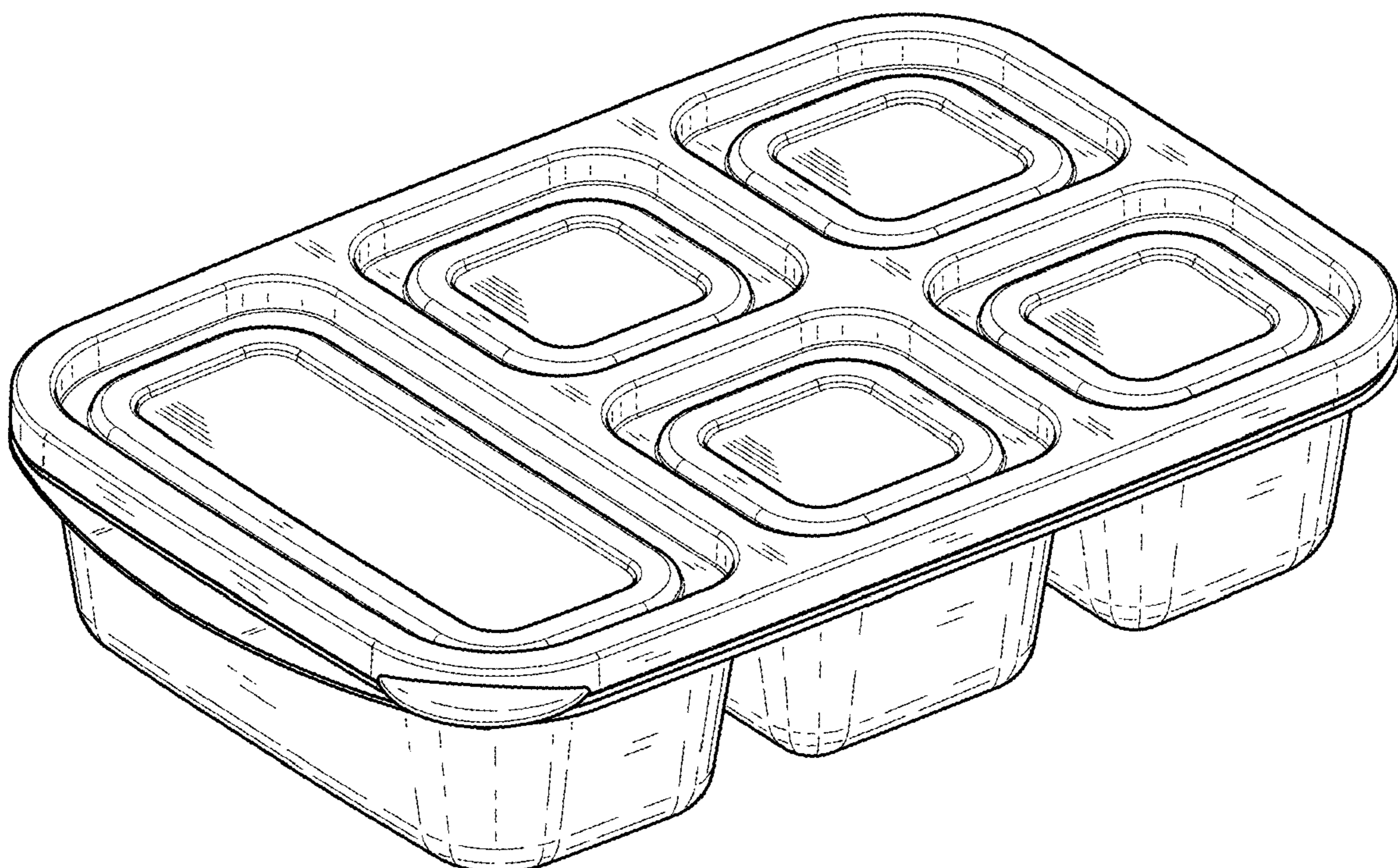
(57) **CLAIM**

The ornamental design for a container for food, as shown and described.

DESCRIPTION

FIG. 1 is a perspective view of a container for food showing my new design;
FIG. 2 is a front elevational view thereof;
FIG. 3 is a top plan view thereof;
FIG. 4 is a rear elevational view thereof;
FIG. 5 is a bottom plan view thereof;
FIG. 6 is a left side view thereof;
FIG. 7 is a right view thereof;
FIG. 8 is another perspective view thereof; and,
FIG. 9 is the perspective view of FIG. 1 showing the container for food of my new design in an open configuration.

1 Claim, 6 Drawing Sheets



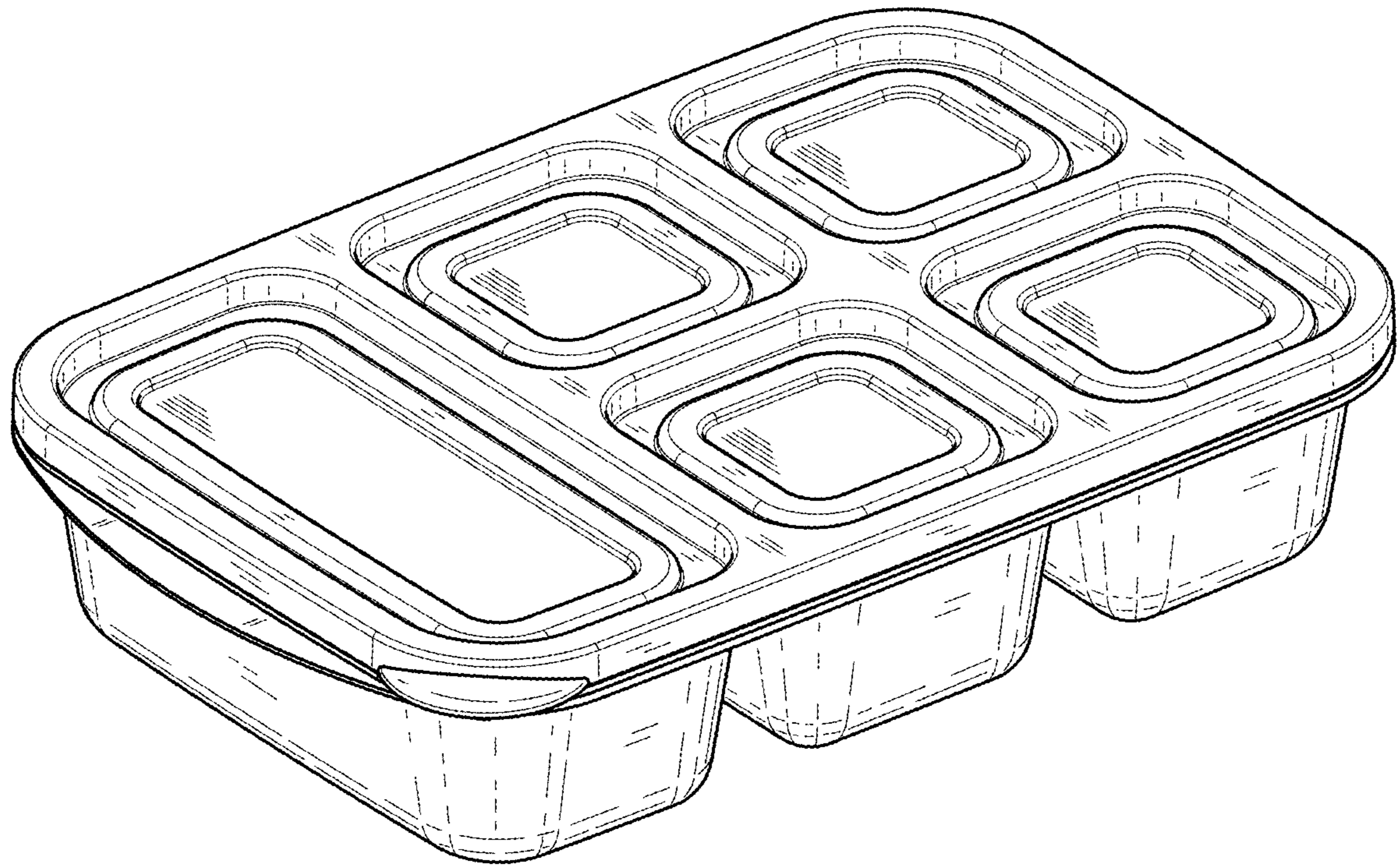


FIG.1

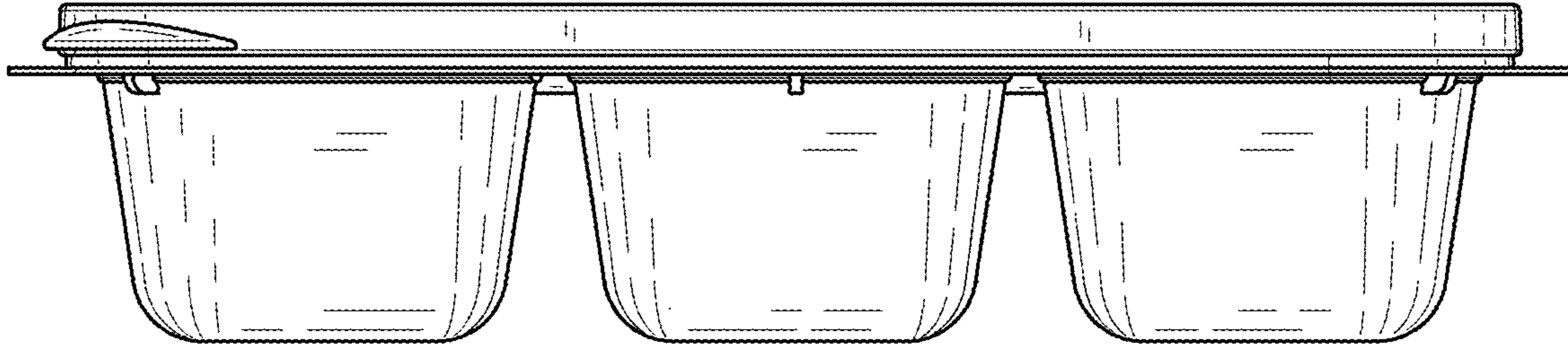


FIG. 2

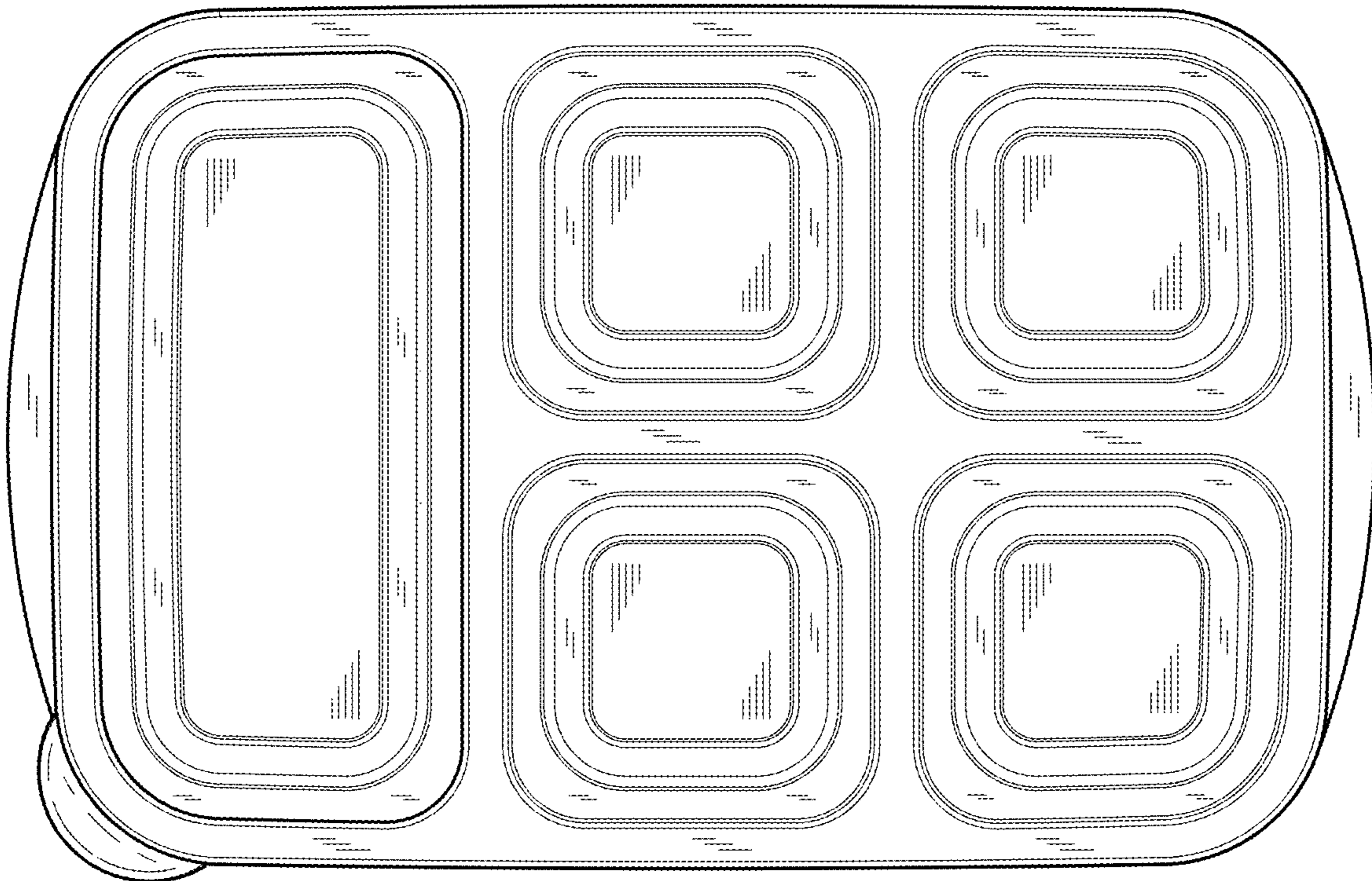


FIG. 3

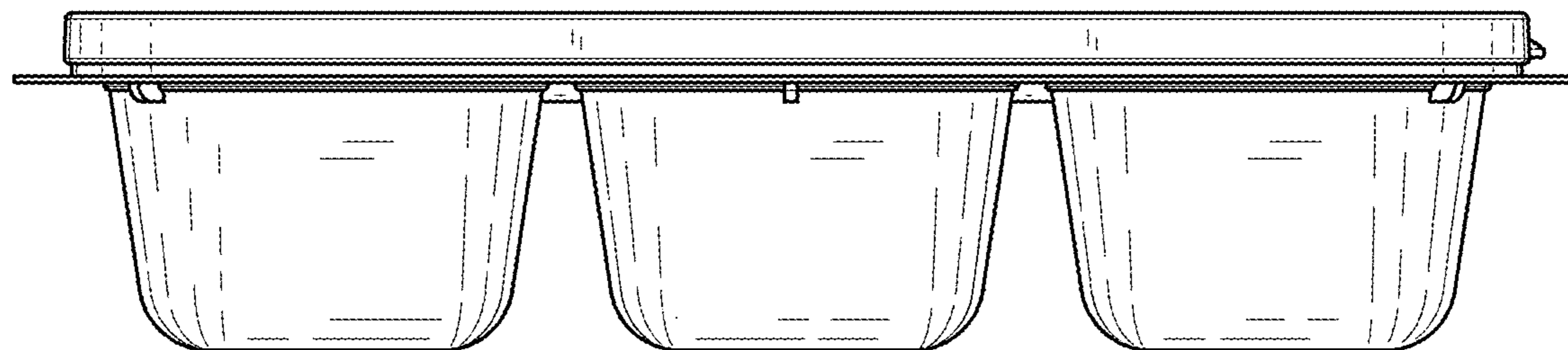


FIG. 4

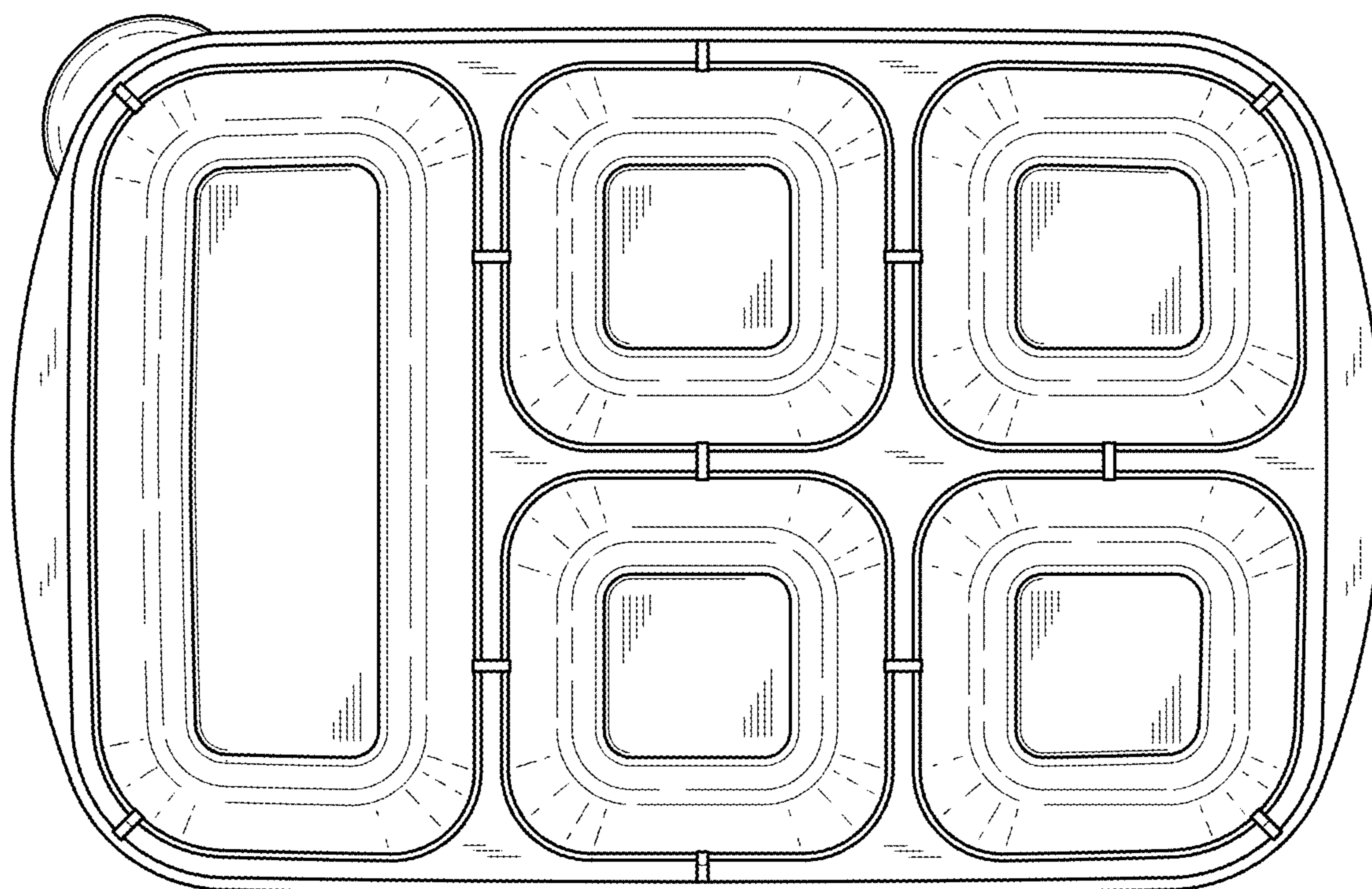


FIG. 5

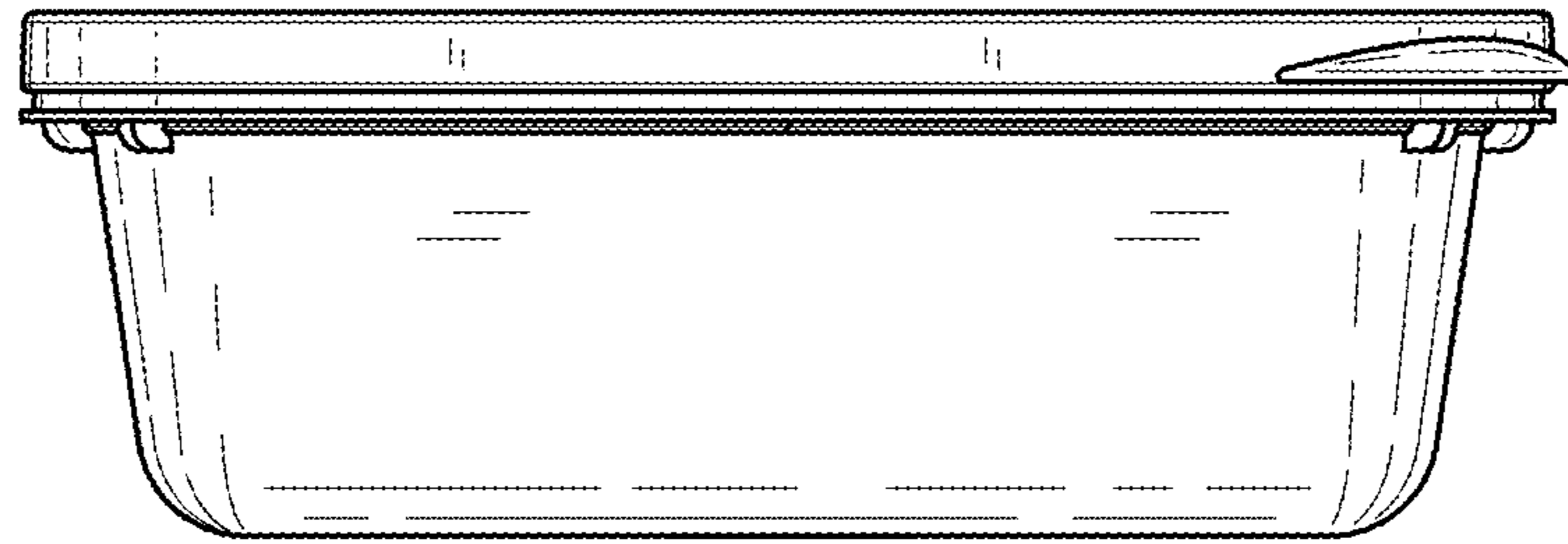


FIG. 6

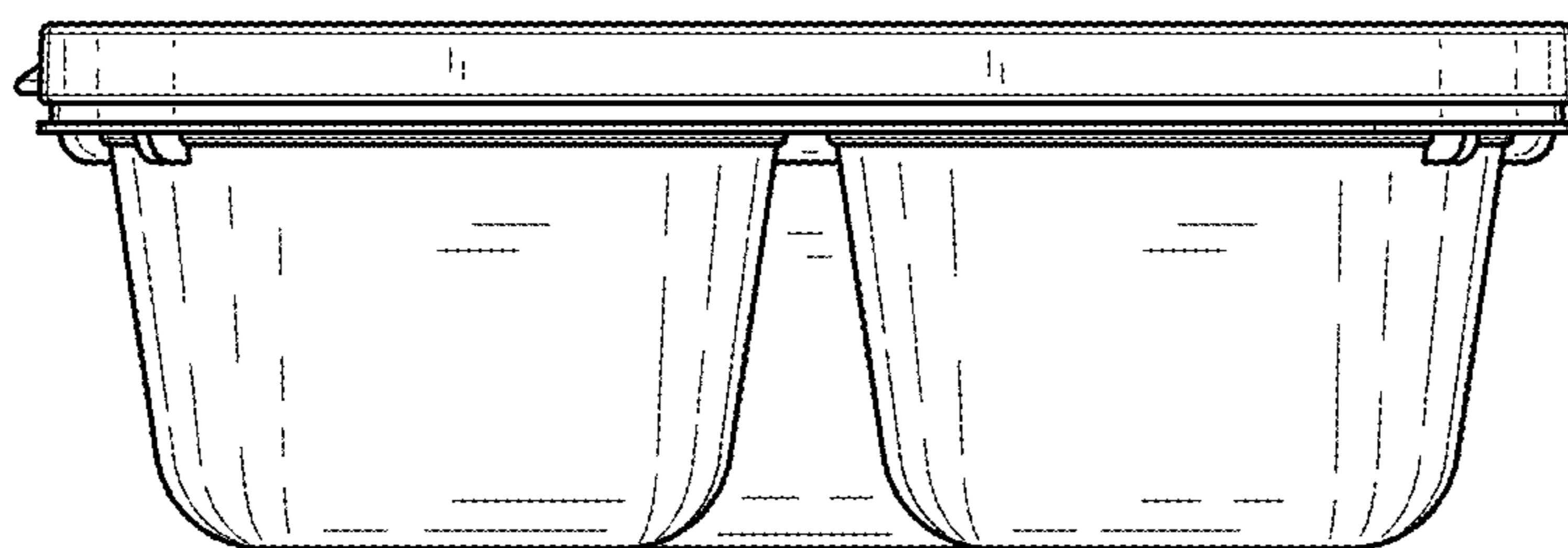


FIG. 7

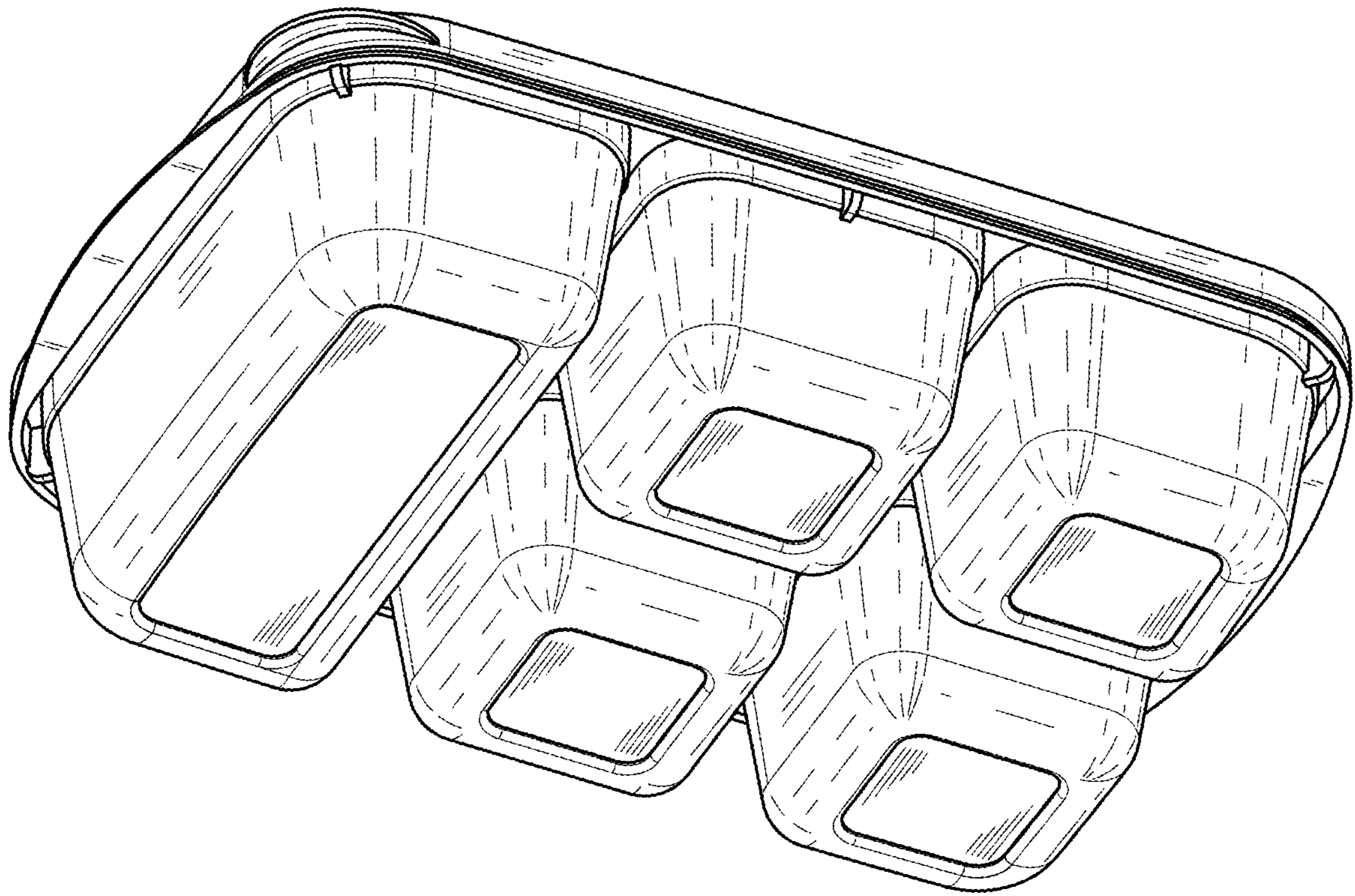


FIG.8



FIG.9