



US00D983615S

(12) **United States Design Patent** (10) **Patent No.:** **US D983,615 S**
Xie (45) **Date of Patent:** **** Apr. 18, 2023**

(54) **CUP HOLDER**
(71) Applicant: **SHENZHEN JOYREN MATERNAL AND BABY PRODUCTS CO., LTD,** Shenzhen (CN)
(72) Inventor: **Qiong Xie,** Shenzhen (CN)
(73) Assignee: **SHENZHEN JOYREN MATERNAL AND BABY PRODUCTS CO., LTD,** Shenzhen (CN)

D501,118 S * 1/2005 Schrock D7/619.1
D580,233 S * 11/2008 Camarota B60N 3/103
D7/619.1
D767,279 S * 9/2016 Gummo D3/315
D858,226 S * 9/2019 Escontrela D7/624.2
D864,673 S * 10/2019 Webb D7/619.1
D906,229 S * 12/2020 Han D12/419
D948,961 S * 4/2022 Robinson D7/620
D967,748 S * 10/2022 Han D12/419

(**) Term: **15 Years**

(21) Appl. No.: **29/783,420**

(22) Filed: **May 13, 2021**

(51) **LOC (14) Cl.** **07-09**

(52) **U.S. Cl.**
USPC **D7/619.1**

(58) **Field of Classification Search**
USPC D7/387, 396.1, 396.2, 396.6, 601, 602, D7/619.1-623, 624.2, 701; D3/202; D6/512; D9/455; D12/419, 420
CPC A47G 23/02; A47G 23/0208; A47G 23/0216; A47G 23/0225; A47G 23/0233; A47G 23/0241; B60N 3/10; B60N 3/101; B60N 3/102; B60N 3/103; B60N 3/105; B60N 3/106; B60N 3/107; B60N 3/108
See application file for complete search history.

(56) **References Cited**

U.S. PATENT DOCUMENTS

5,088,673 A * 2/1992 Chandler B60N 3/103
D7/619.1
D361,017 S * 8/1995 Keven D7/619.1
D380,650 S * 7/1997 Norris D7/619.1
D399,395 S * 10/1998 Persons D7/620
D400,763 S * 11/1998 Taylor D7/619.1
D439,116 S * 3/2001 White D7/619.1

OTHER PUBLICATIONS

Design No. 008535736-0001, May 13, 2021—European Union Intellectual Property Office (EUIPO) Publication Date—May 18, 2021 Owner—Shenzhen Joyren Maternal and Baby Products Co., LTD, Designer—Qiong Xie DesignView, available at www.tmdn.org/tmdsview-web/welcome (Year: 2021).*

(Continued)

Primary Examiner — Mary Ann Calabrese
Assistant Examiner — Natalya M Rapundalo

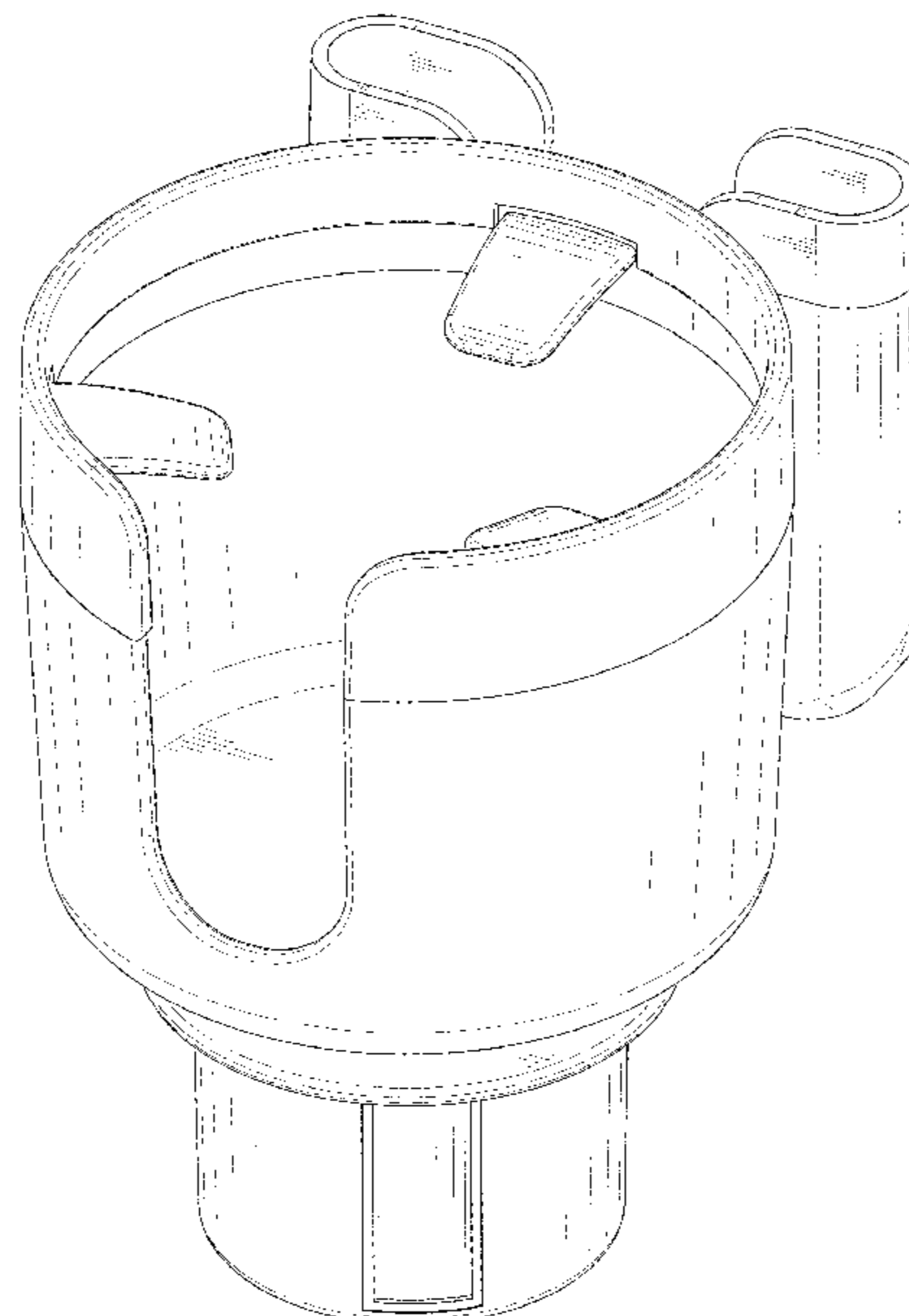
(57) **CLAIM**

The ornamental design for a cup holder, as shown and described.

DESCRIPTION

FIG. 1 is a top perspective view of a cup holder showing my new design;
FIG. 2 is a bottom perspective view thereof;
FIG. 3 is a front elevational view thereof;
FIG. 4 is a rear elevational view thereof;
FIG. 5 is a left side elevational view thereof;
FIG. 6 is a right side elevational view thereof;
FIG. 7 is a top plan view thereof; and,
FIG. 8 is a bottom plan view thereof.
The broken lines in the drawings depict portions of the cup holder that form no part of the claimed design.

1 Claim, 8 Drawing Sheets



(56)

References Cited

OTHER PUBLICATIONS

Design No. 307494611, Apr. 29, 2022—China National Intellectual Property Administration (CNIPA) Publication Date—Aug. 12, 2022
Owner—Zheng Hui WIPO, available at <https://www3.wipo.int/designdb/en/index.jsp> (Year: 2022).*

Sojoy Cup Holder Expander Adapter with Phone Holder, first available Jul. 19, 2022, Amazon, [online], [site visited Feb. 13, 2023], Available from internet URL: <https://www.amazon.com/Sojoy-Expander-Adjustable-Compatible-Camelback/dp/B0B71F3ZF6> (Year: 2023).*

Accmor 2-in-1 Car Cup Holder Expander Adapter with Adjustable Base, first available Mar. 31, 2022, Amazon, [online], [site visited Feb. 14, 2023], Available from internet URL: <https://www.amazon.com/dp/B09WXQXPDC> (Year: 2023).*

* cited by examiner

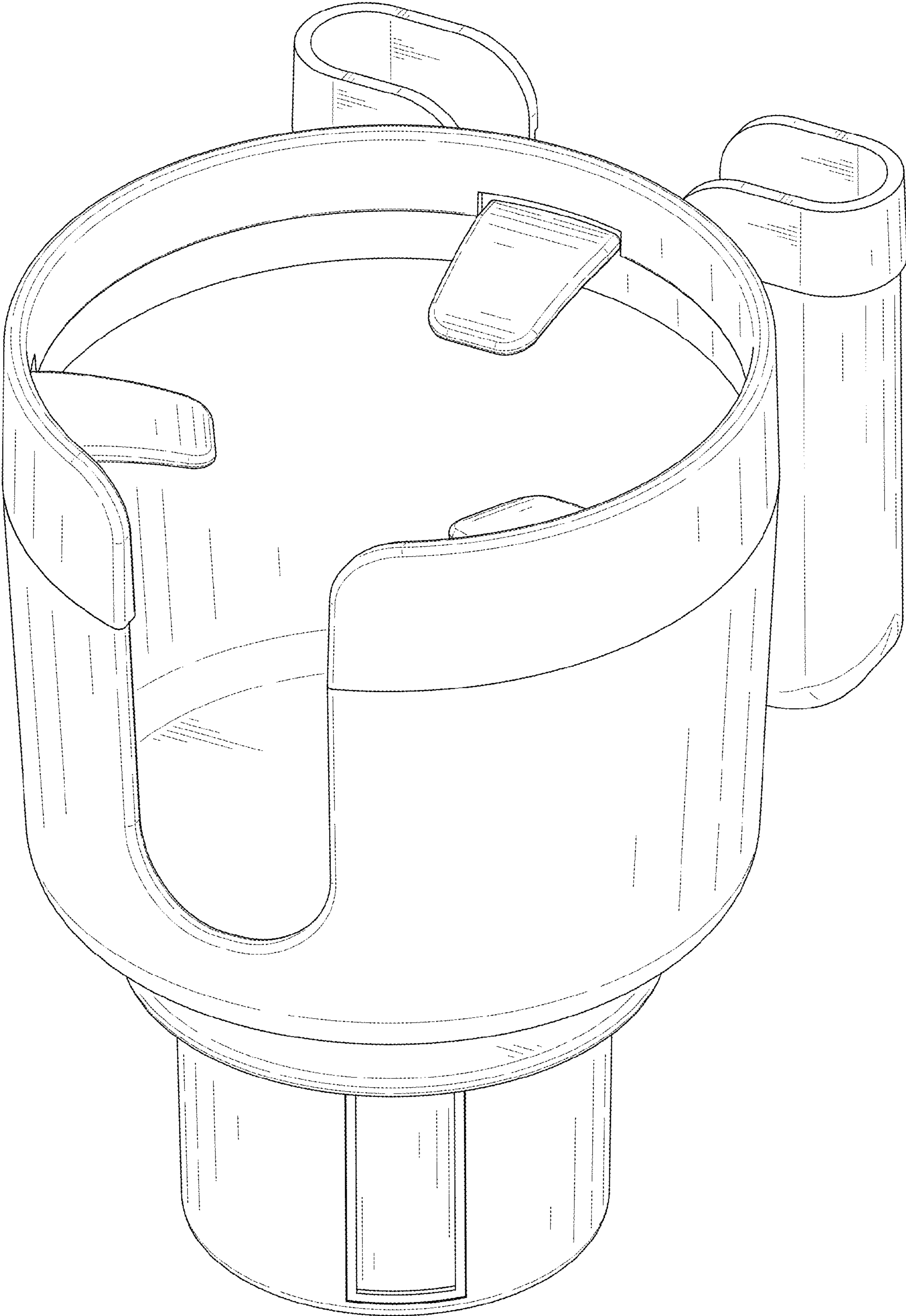


FIG. 1

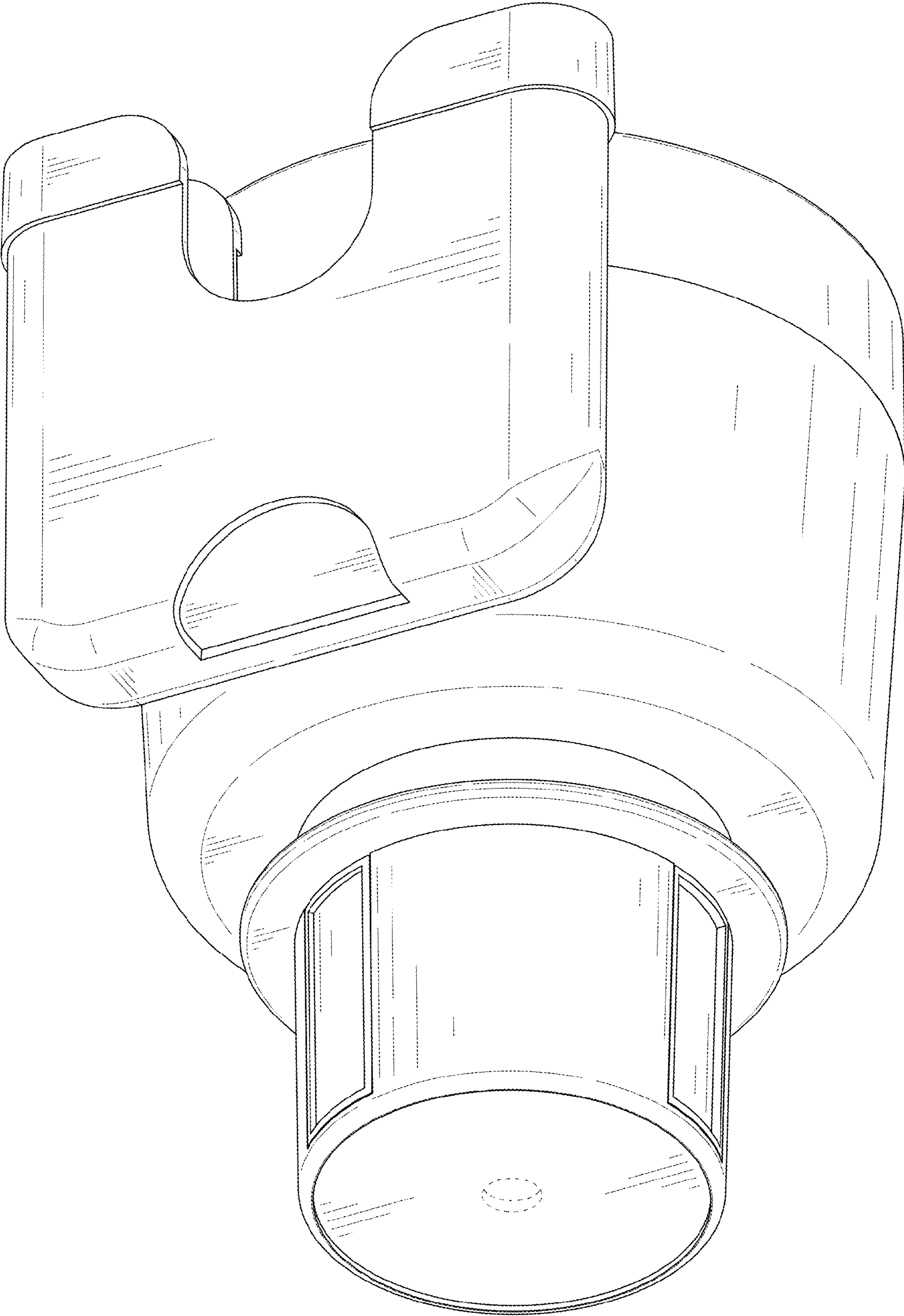


FIG. 2

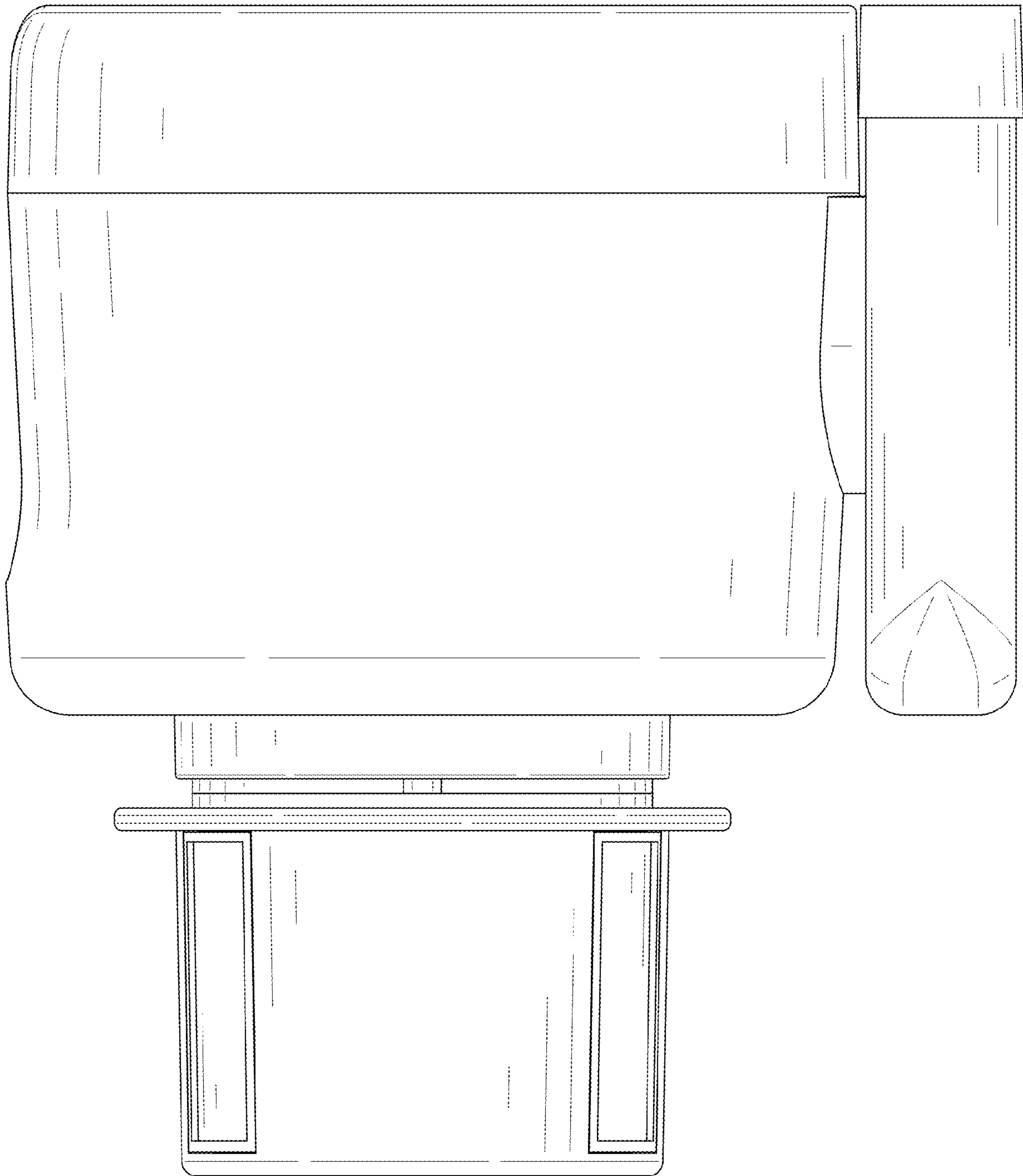


FIG. 3

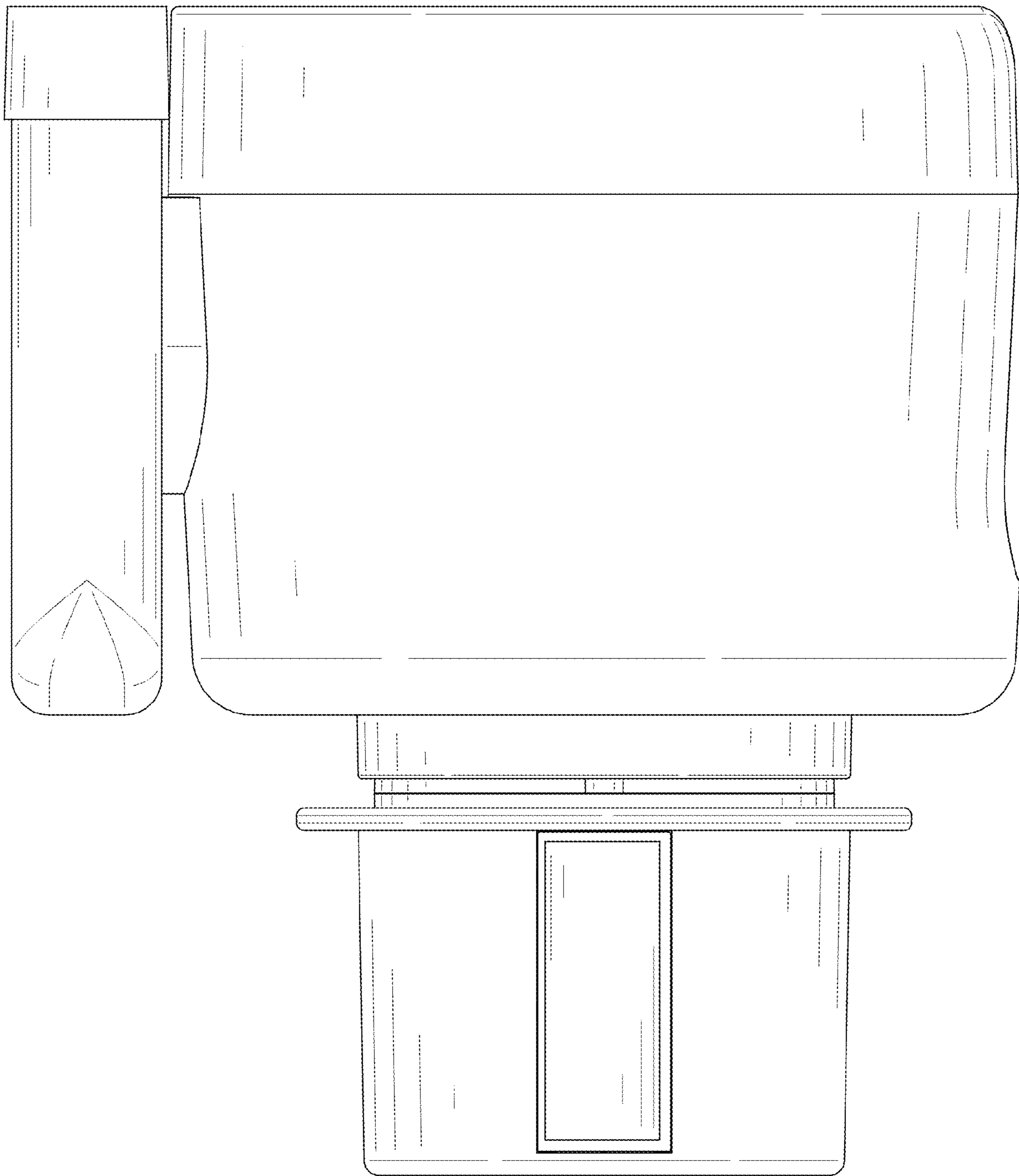


FIG. 4

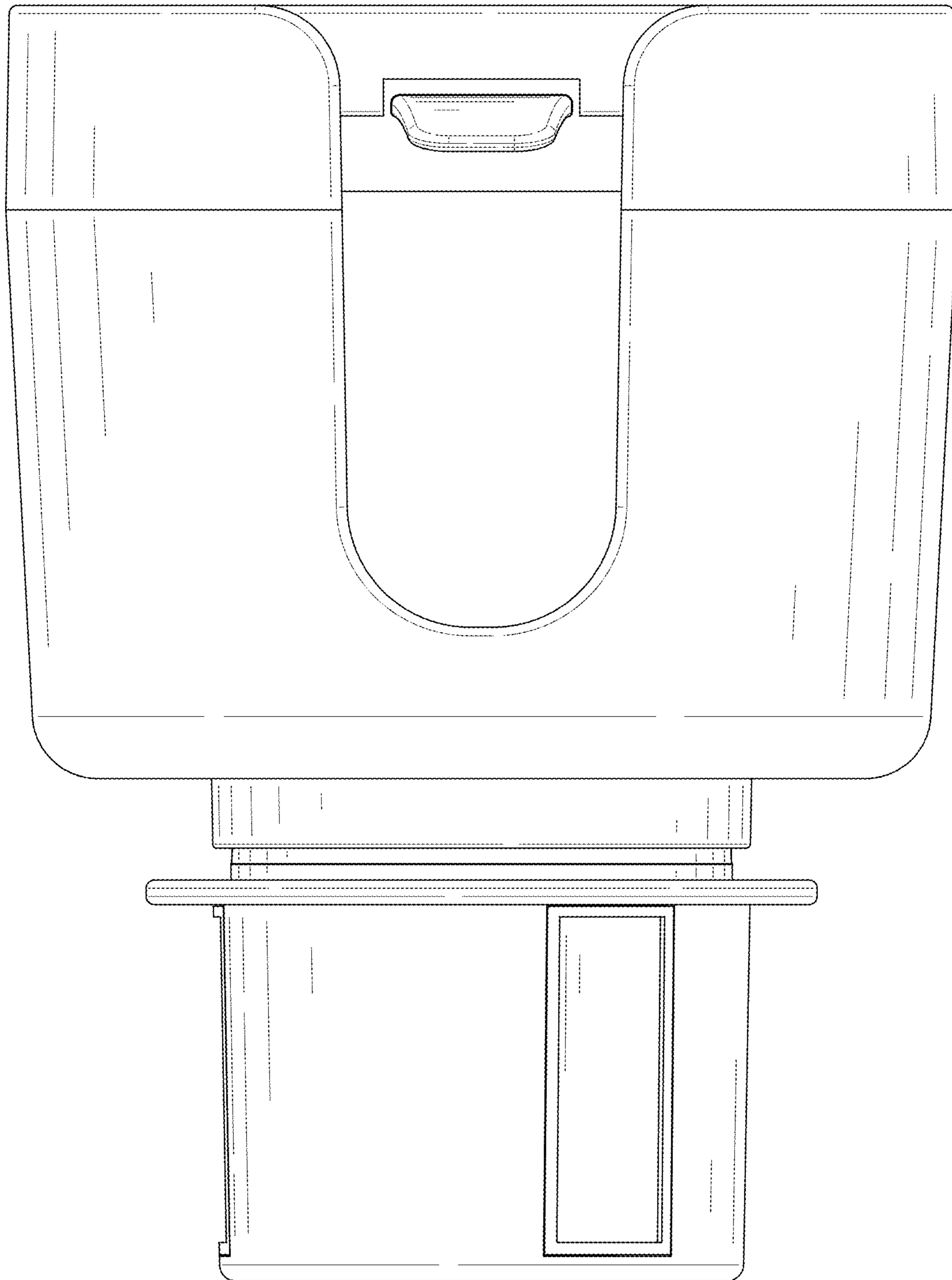


FIG. 5

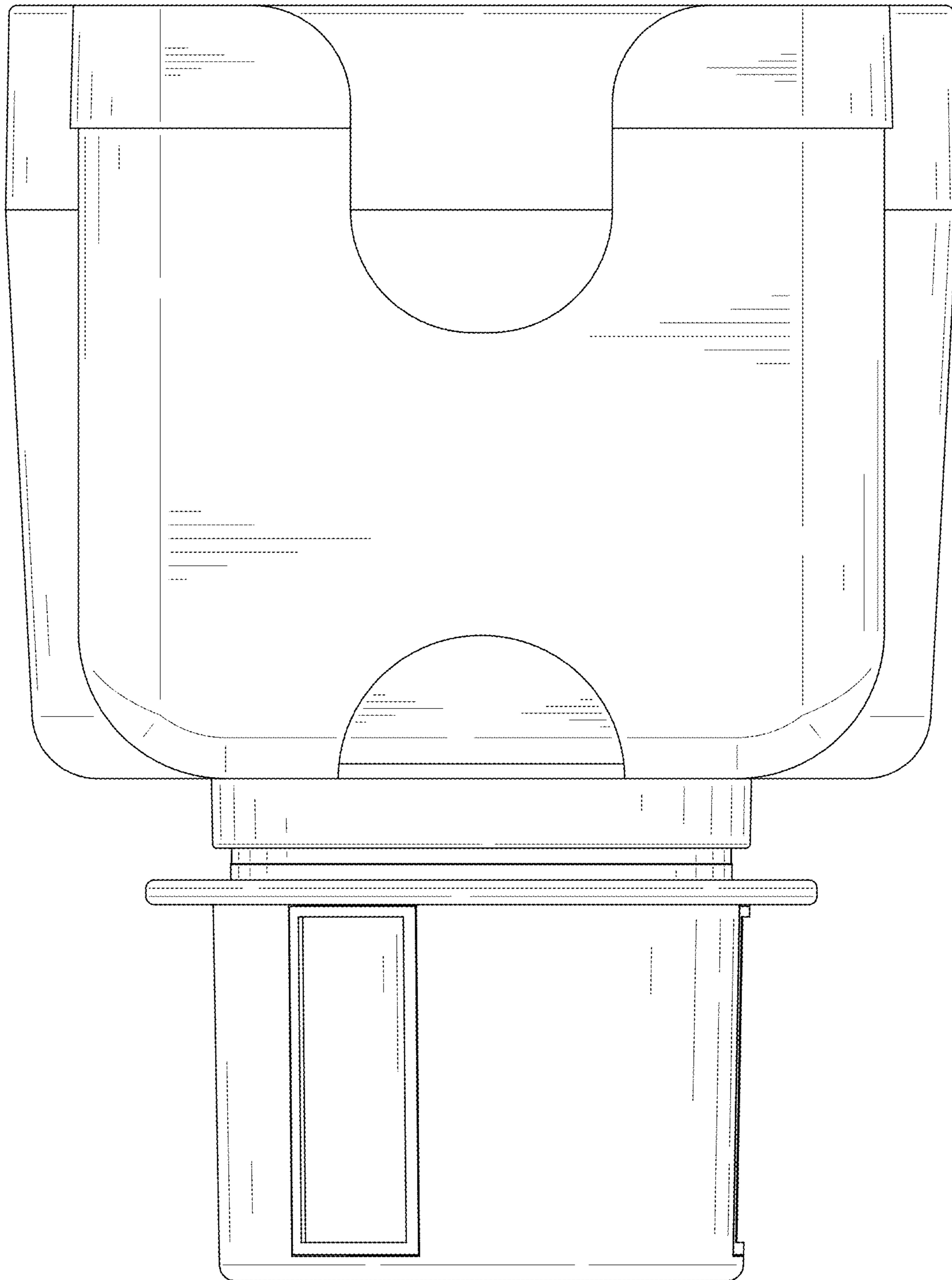


FIG. 6

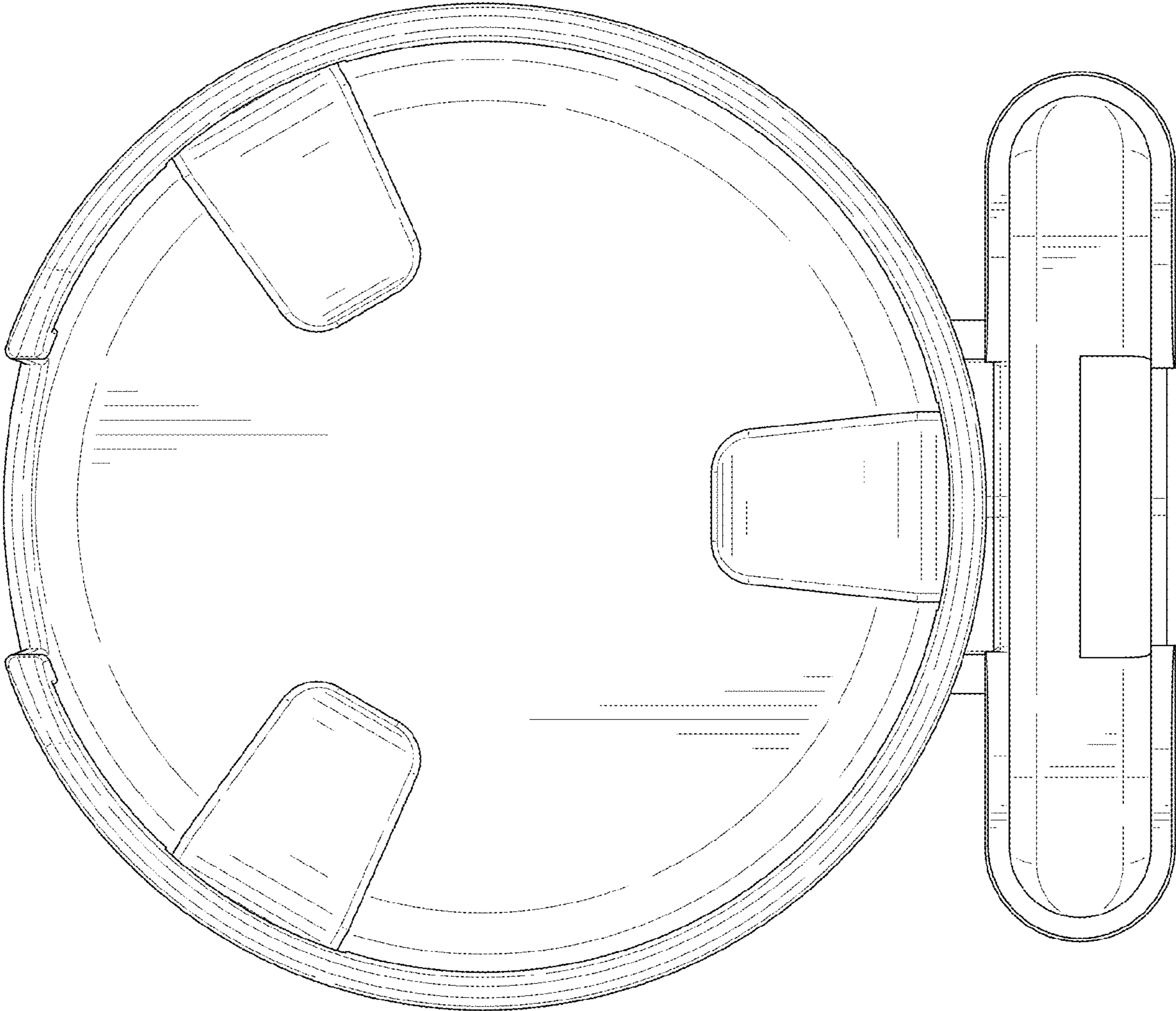


FIG. 7

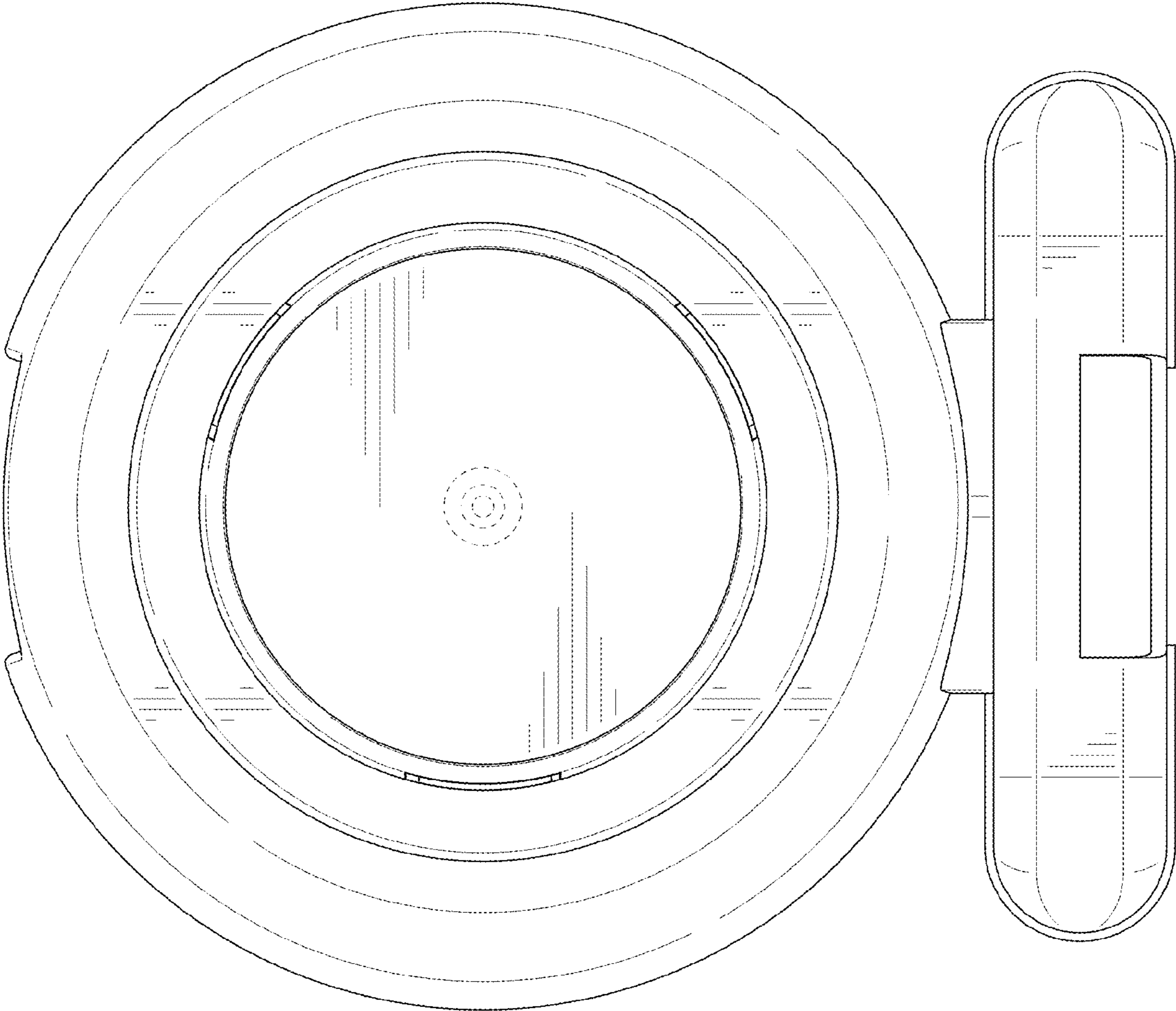


FIG. 8