



US00D983613S

(12) **United States Design Patent**  
**Chen**

(10) **Patent No.:** **US D983,613 S**

(45) **Date of Patent:** **\*\* Apr. 18, 2023**

(54) **LUNCH BAG**

(71) Applicant: **Shanghai Bingyu Technology Co., Ltd.**, Shanghai (CN)

(72) Inventor: **Jinyu Chen**, Shanghai (CN)

(\*\*) Term: **15 Years**

(21) Appl. No.: **29/841,326**

(22) Filed: **Jun. 5, 2022**

(51) **LOC (14) Cl.** ..... **07-01**

(52) **U.S. Cl.**

USPC ..... **D7/607**

CPC ..... **A47K 10/32** (2013.01)

(58) **Field of Classification Search**

USPC ..... D3/201, 232, 245, 246, 273, 276, 301;  
D7/601, 602, 605, 607, 701, 709

CPC A47K 10/32; A47K 2010/3266; A45C 11/20;  
A45C 13/02; A45C 13/103; A45C  
2011/007

See application file for complete search history.

(56) **References Cited**

**U.S. PATENT DOCUMENTS**

D340,387 S	10/1993	Melk	
D341,026 S	11/1993	Barker	
D387,249 S	12/1997	Mogil	
D412,269 S	7/1999	Wyant	
D432,871 S	10/2000	Nottingham et al.	
D434,954 S *	12/2000	Daw	D7/607
D464,235 S *	10/2002	Jeong	D3/289
D465,134 S *	11/2002	Joss	D3/289
D472,431 S	4/2003	Spence, Jr.	
6,547,436 B2 *	4/2003	Sutton	A45C 13/26 D3/315
D563,105 S *	3/2008	Rothschild	D3/276
D575,461 S *	8/2008	Cannon	D3/273
D582,676 S *	12/2008	Rothschild	D3/276
9,462,874 B1 *	10/2016	Samuel	A45C 11/20
D772,655 S *	11/2016	Jacobsen	D7/605

9,498,036 B1 *	11/2016	Osorio	A45C 13/02
D783,371 S *	4/2017	Burton	D3/290
D842,048 S	3/2019	Wells	
D847,582 S	5/2019	Jacobsen	
D858,227 S *	9/2019	Wiles	D7/709
10,426,241 B2 *	10/2019	Nash	A45F 3/46
10,544,976 B2 *	1/2020	Triska	A45C 11/20
D875,389 S *	2/2020	Potts	D3/232
D875,390 S *	2/2020	Potts	D3/232
D881,655 S *	4/2020	Jacobsen	D7/607
D883,047 S *	5/2020	Kou	D7/607
D883,753 S *	5/2020	Zheng	D7/607
D886,538 S *	6/2020	Jacobsen	D7/607
D886,539 S *	6/2020	Jacobsen	D7/607
D893,183 S	8/2020	Eisenhardt et al.	
D897,102 S *	9/2020	Seiders	D3/289
D903,430 S *	12/2020	Eisenhardt	D7/607
D904,830 S *	12/2020	Meda	D7/607
D909,835 S	2/2021	Lin	
D911,792 S *	3/2021	Candela	D7/709
D915,769 S *	4/2021	Wang	D3/315
D919,376 S	5/2021	Seiders et al.	

(Continued)

Primary Examiner — Richard E Chilcot

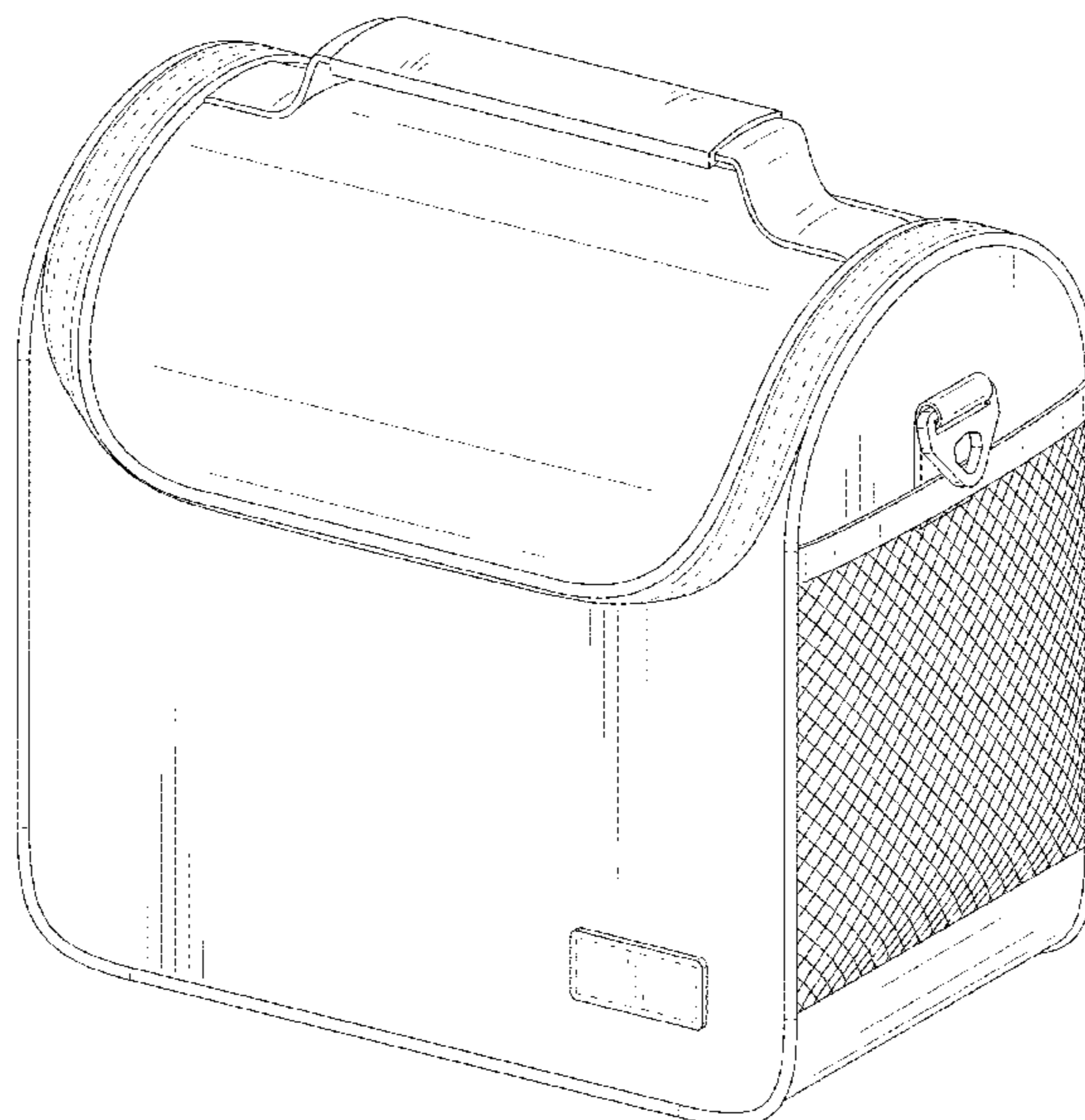
(57) **CLAIM**

The ornamental design for a lunch bag, as shown and described.

**DESCRIPTION**

FIG. 1 is a perspective view of a lunch bag, showing my new design;  
FIG. 2 is another perspective view thereof;  
FIG. 3 is a front elevational view thereof;  
FIG. 4 is a rear elevational view thereof;  
FIG. 5 is a left elevational view thereof;  
FIG. 6 is a right elevational view thereof;  
FIG. 7 is a top plan view thereof; and,  
FIG. 8 is a bottom plan view thereof.  
The broken lines in the drawings depict portions of the lunch bag that form no part of the claimed design.

**1 Claim, 8 Drawing Sheets**



(56)

**References Cited**

U.S. PATENT DOCUMENTS

D920,588	S *	5/2021	Chen	.....	D30/108
D923,424	S	6/2021	Rong		
D927,261	S	8/2021	Rong		
D938,729	S *	12/2021	Cardenas	.....	D3/246
11,219,326	B1 *	1/2022	Gutierrez	.....	A47G 23/04
11,284,692	B2 *	3/2022	Simon	.....	A45C 11/20
11,297,920	B2 *	4/2022	Royce	.....	A45C 3/10
D959,012	S *	7/2022	Ou Yang	.....	B65D 47/18
					D24/217
D959,919	S *	8/2022	Wang	.....	D7/607
D960,560	S *	8/2022	Lin	.....	D3/217
11,407,579	B2 *	8/2022	Munie	.....	B65D 81/3858
D968,716	S *	11/2022	Wang	.....	D30/109
2007/0186579	A1 *	8/2007	Barker	.....	F25D 3/08
					62/457.2
2009/0120978	A1 *	5/2009	Lesser	.....	A45C 15/00
					224/191
2013/0233865	A1 *	9/2013	Hutchinson	.....	A45C 11/20
					220/592.2
2015/0335119	A1 *	11/2015	Baker	.....	A45C 13/30
					206/545
2019/0170422	A1 *	6/2019	Dexter	.....	F25D 31/002
2021/0267333	A1 *	9/2021	Barnes	.....	A47K 10/32

\* cited by examiner

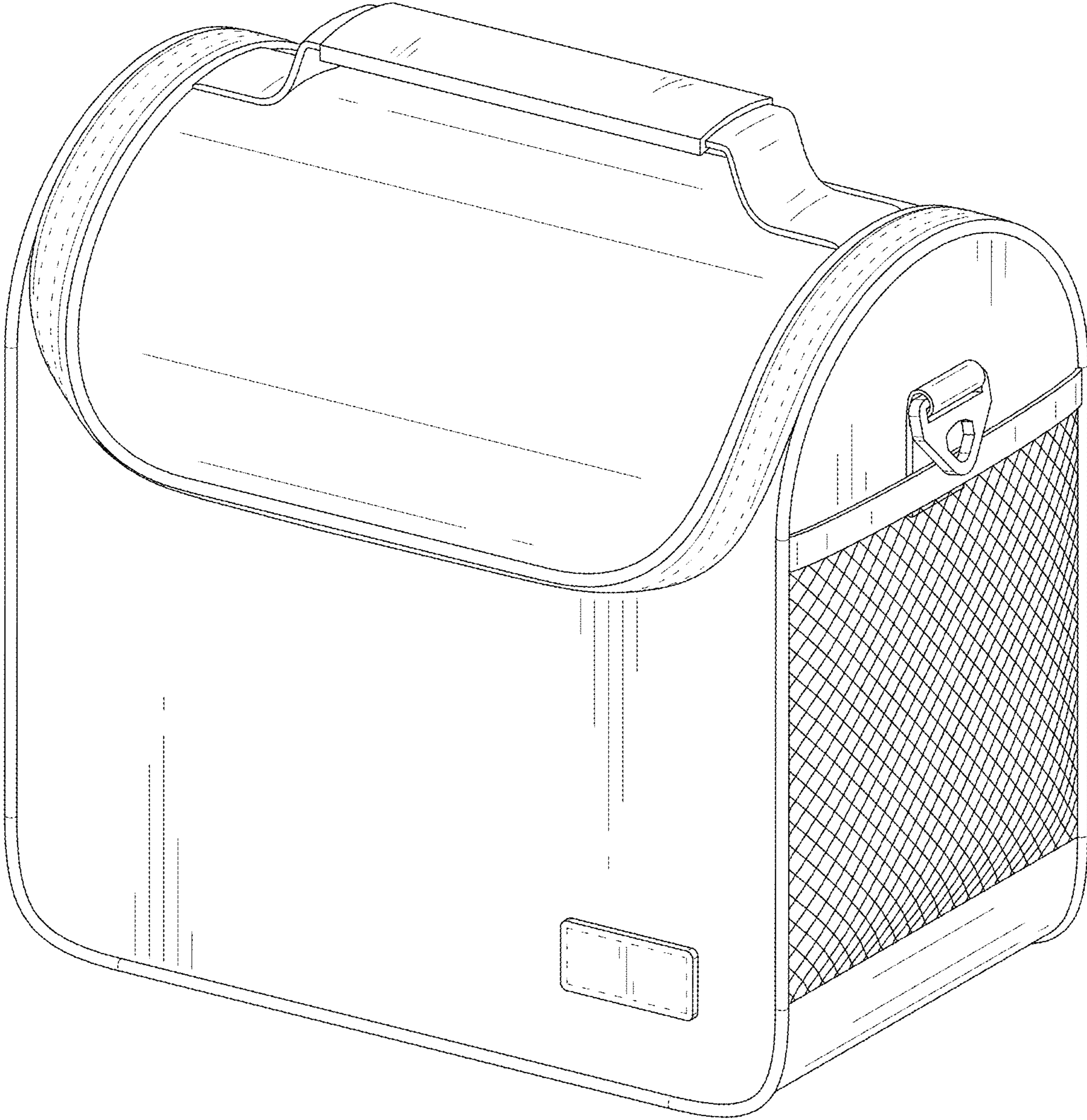


FIG. 1

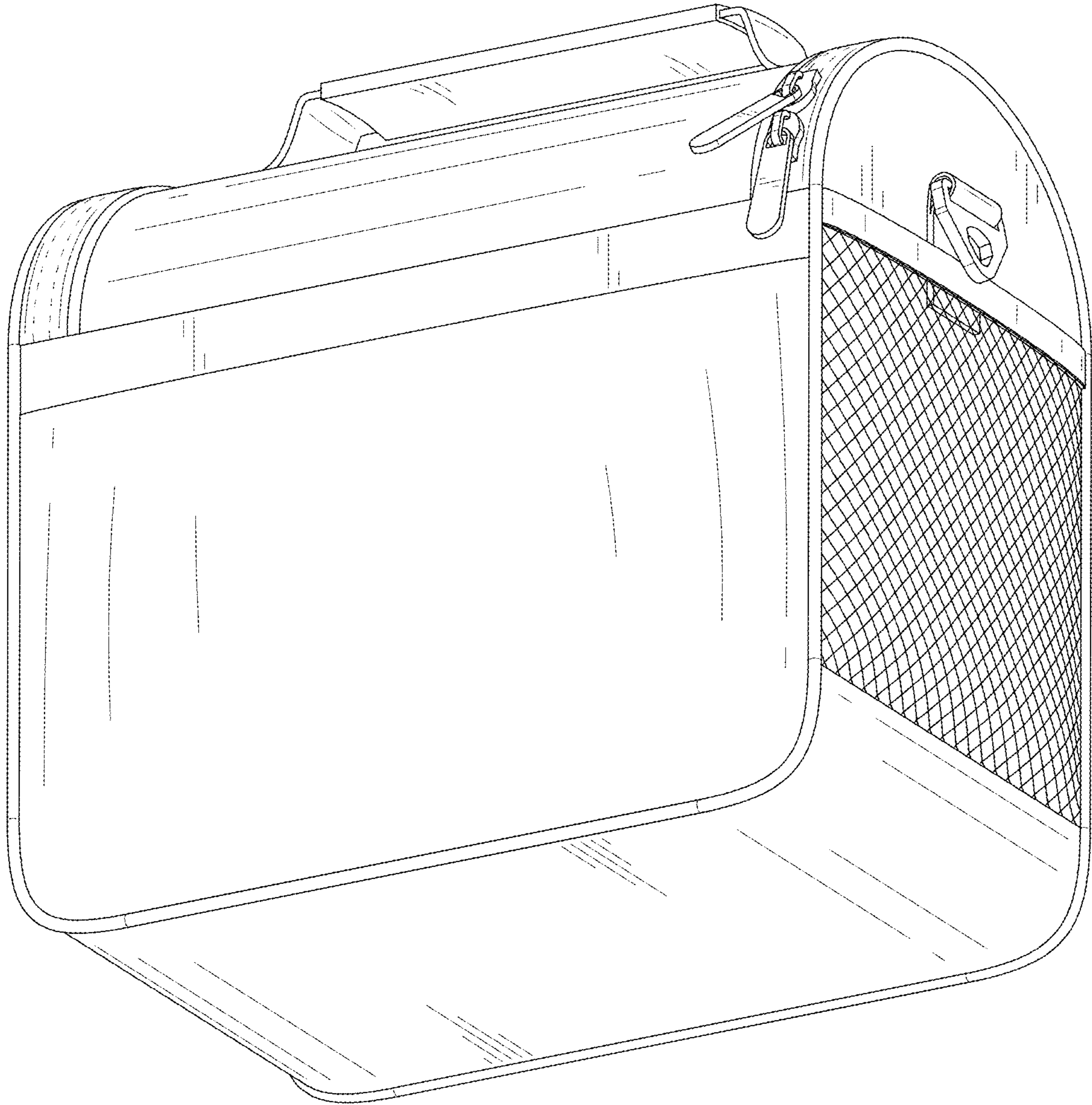


FIG. 2



FIG. 3



FIG.4

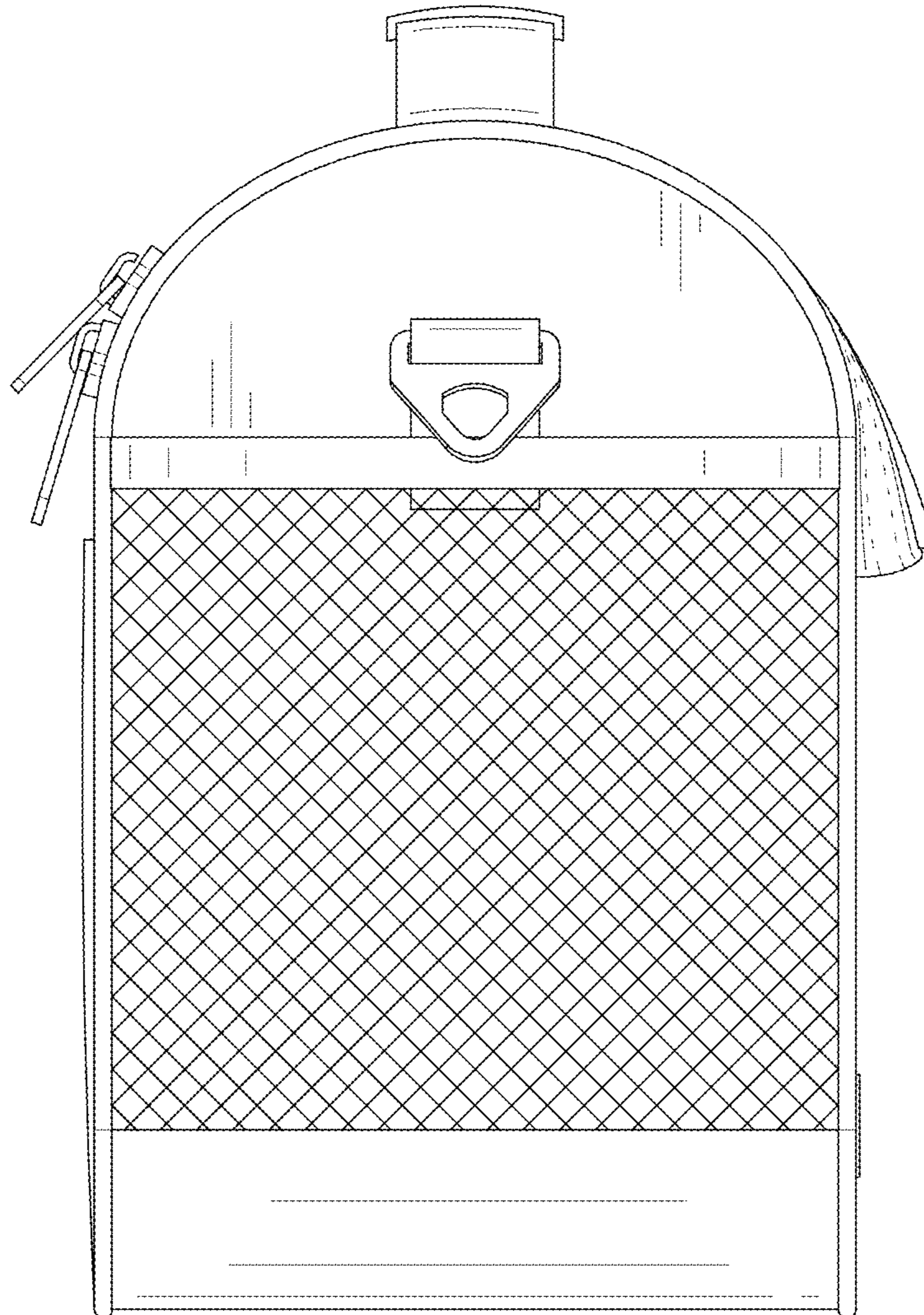


FIG. 5

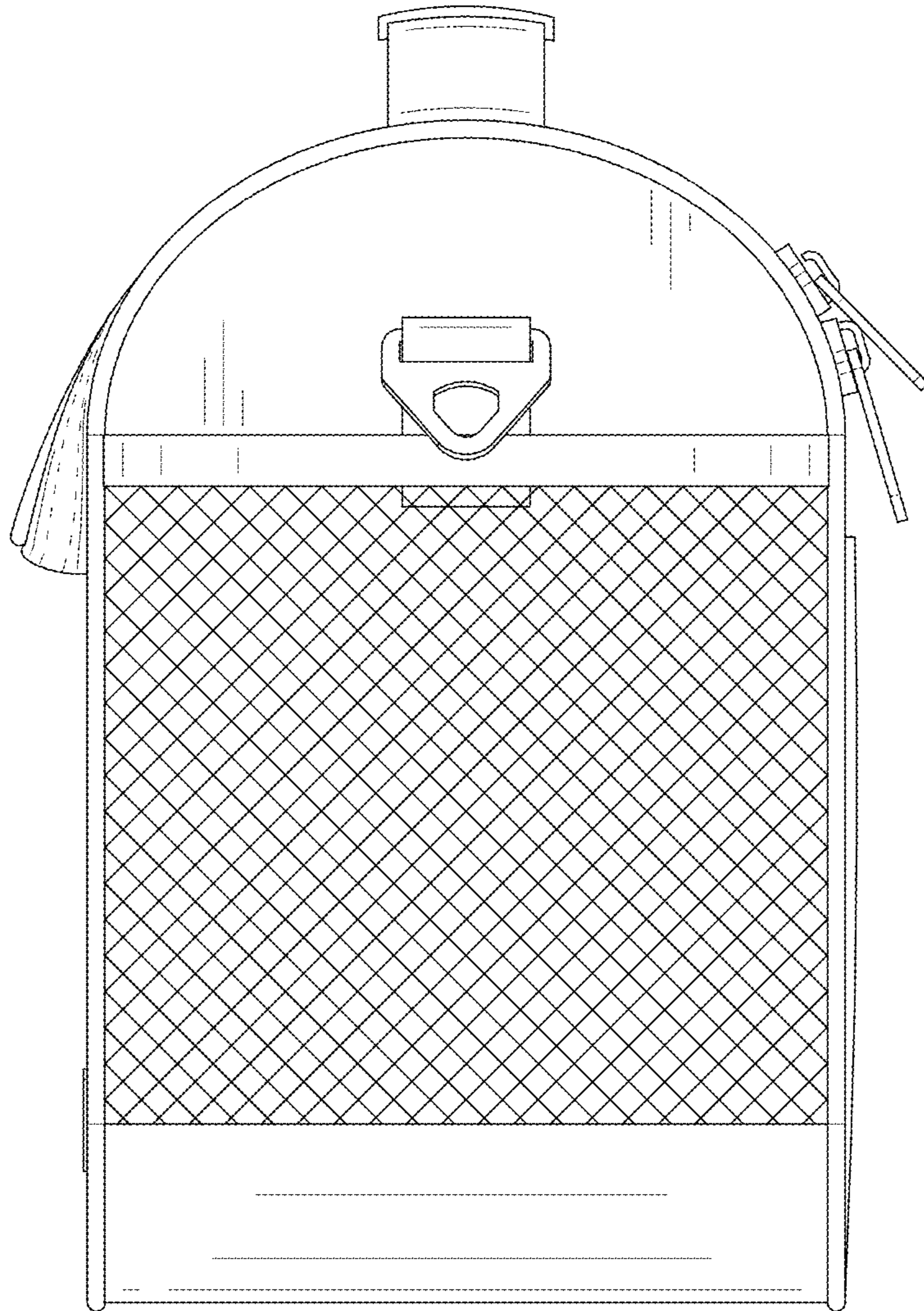


FIG. 6



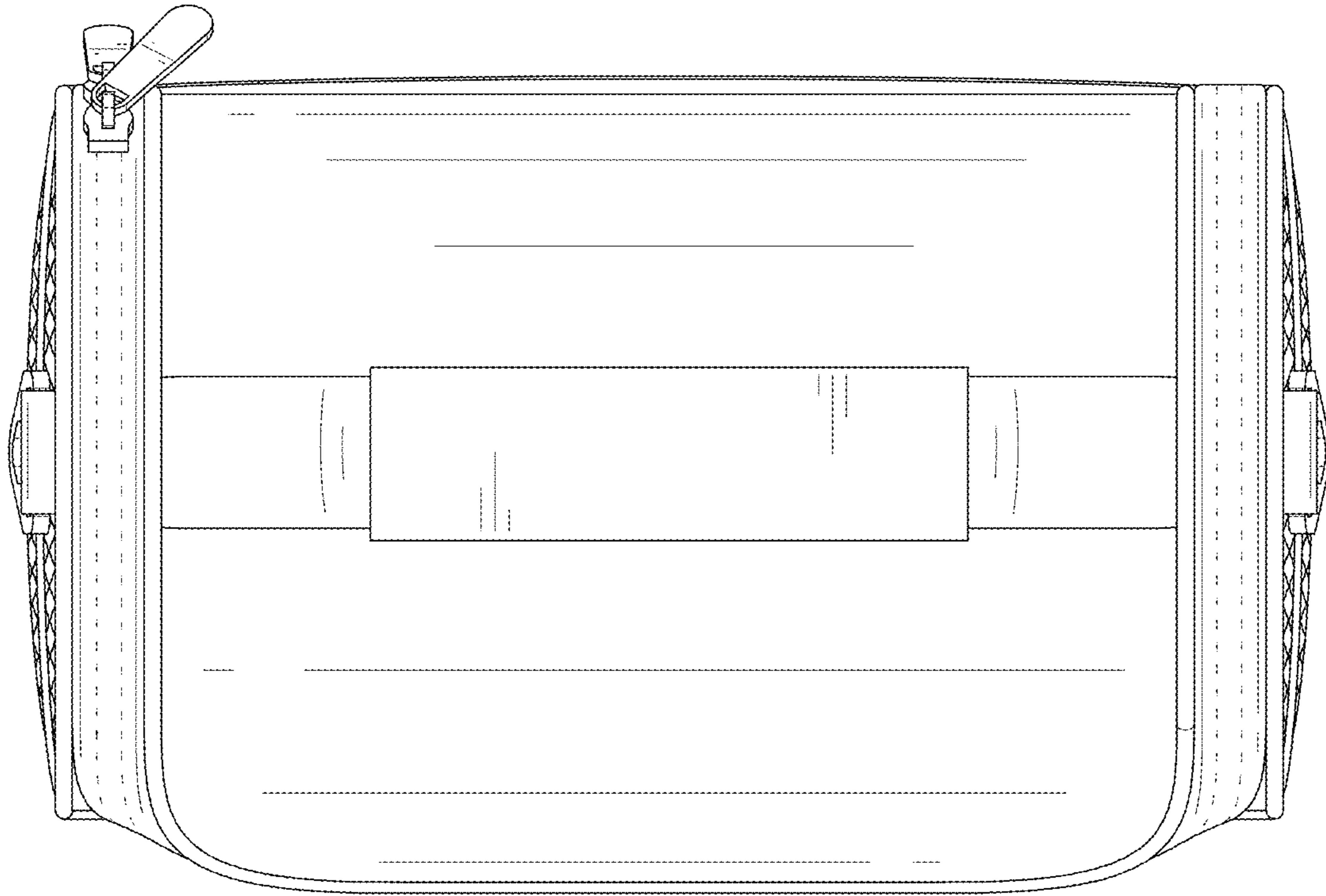


FIG. 7

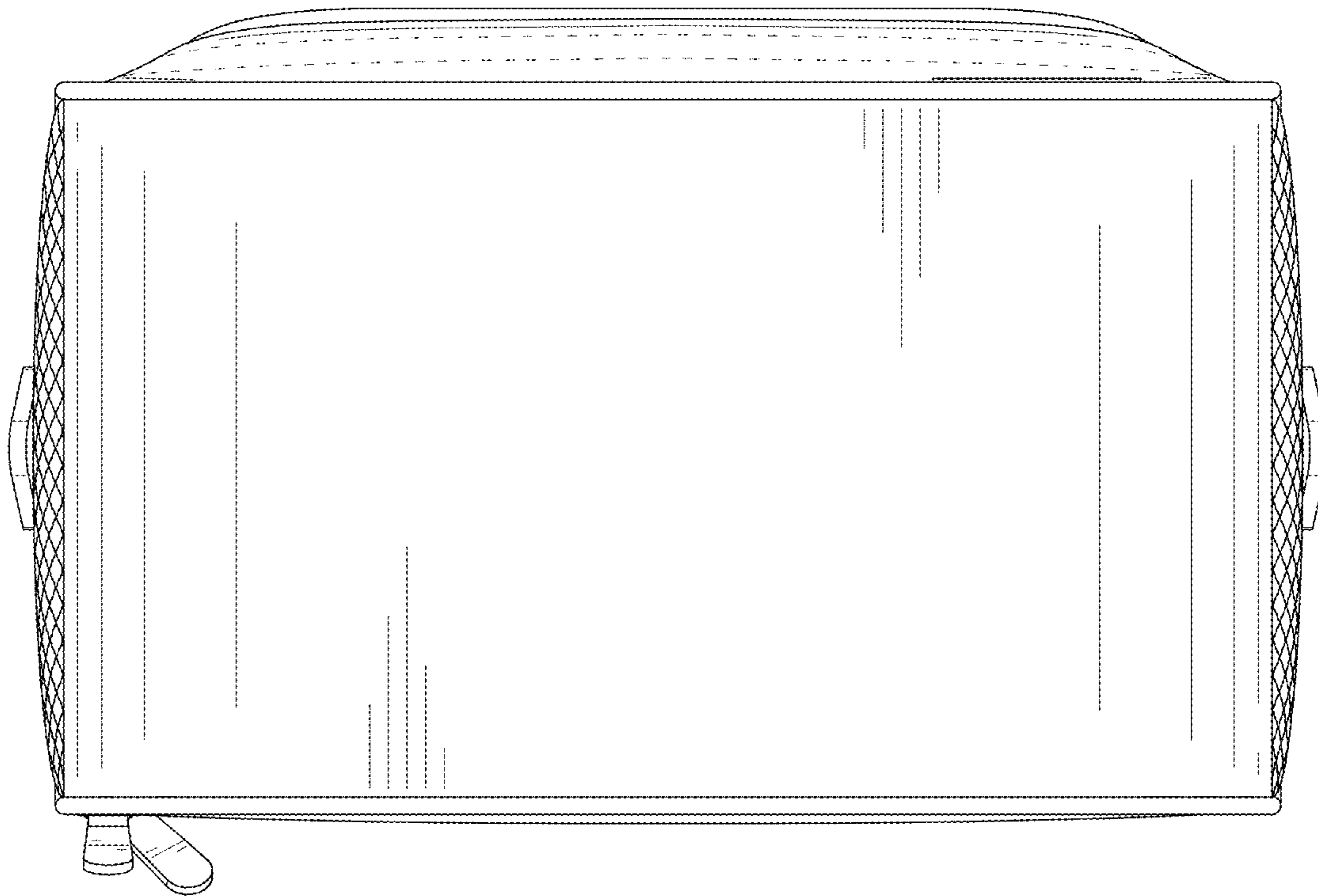


FIG. 8