



US00D983612S

(12) **United States Design Patent**  
**Zhong**

(10) **Patent No.:** **US D983,612 S**  
(45) **Date of Patent:** **\*\* Apr. 18, 2023**

- (54) **STORAGE BOX FOR COFFEE CAPSULES**
- (71) Applicant: **XIAMEN LEGENDA ELECTRONIC TECHNOLOGY COMPANY LIMITED**, Xiamen (CN)
- (72) Inventor: **Wenda Zhong**, Xiamen (CN)
- (73) Assignee: **XIAMEN LEGENDA ELECTRONIC TECHNOLOGY COMPANY LIMITED**, Xiamen (CN)
- (\*\*) Term: **15 Years**
- (21) Appl. No.: **29/771,948**
- (22) Filed: **Feb. 26, 2021**

D722,831 S *	2/2015	Tuang .....	D7/600.1
D743,748 S *	11/2015	Tiemann .....	D7/600.1
D755,574 S *	5/2016	Lee .....	D7/600.1
D764,236 S *	8/2016	Hertaus .....	D7/600.1
D802,369 S *	11/2017	Hertaus .....	D7/600.1
D815,494 S *	4/2018	Lipper McCauley .....	D7/600.1
D831,430 S *	10/2018	Hertaus .....	D7/600.1
D947,619 S *	4/2022	Zhong .....	D7/600.1

**Related U.S. Application Data**

- (63) Continuation of application No. 29/719,808, filed on Jan. 8, 2020, now Pat. No. Des. 920,750.

**Foreign Application Priority Data**

- Sep. 10, 2019 (CN) ..... 201930497753.1
- (51) **LOC (14) Cl.** ..... **07-99**
- (52) **U.S. Cl.** ..... **D7/600.1**  
USPC .....
- (58) **Field of Classification Search**  
USPC ... D7/590, 600.1-600.4, 601, 602, 629, 630,  
D7/632, 701-704, 708; D3/201, 273,  
D3/297, 315; D6/705; D19/75  
CPC ..... A47B 88/00; A47B 88/40; A47J 31/44;  
A47J 47/16  
See application file for complete search history.

**References Cited**

**U.S. PATENT DOCUMENTS**

- D644,491 S \* 9/2011 Snider ..... D7/600.1
- D701,090 S \* 3/2014 Sabounjian ..... D7/600.1
- D713,692 S \* 9/2014 Tsai ..... D7/600.1

**OTHER PUBLICATIONS**

Everie Crystal Tempered Glass Top Organizer Drawer Holder, first available Oct. 14, 2019, Amazon, [online], [site visited Apr. 2, 2021], Available from internet URL: <https://www.amazon.com/EVERIE-Tempered-Organizer-Nespresso-Vertuoline/dp/B07Z3YSJF7> (Year: 2019).\*

\* cited by examiner

*Primary Examiner* — Mary Ann Calabrese

*Assistant Examiner* — Natalya M Rapundalo

(74) *Attorney, Agent, or Firm* — Batramoglu Law Offices LLC

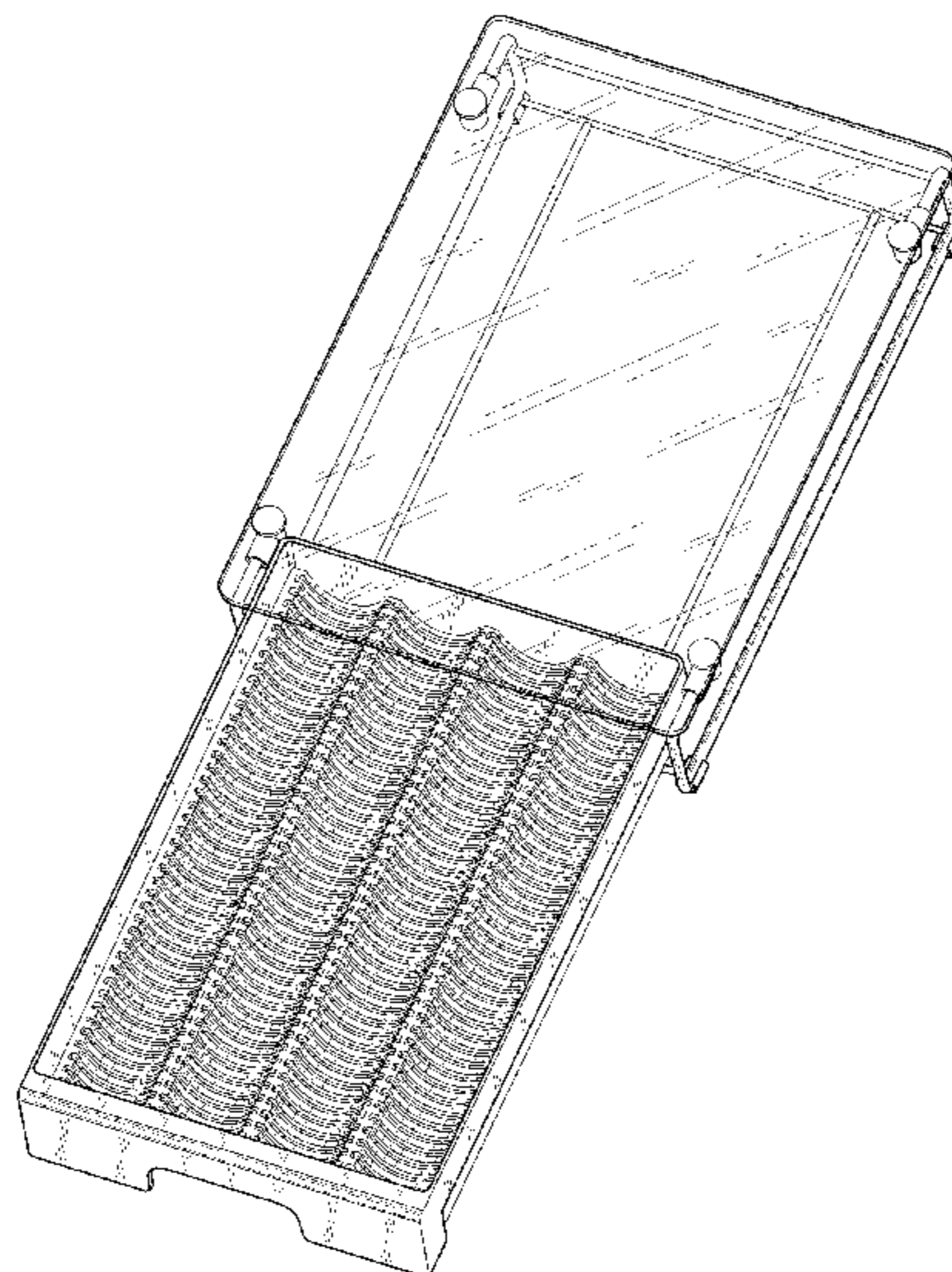
(57) **CLAIM**

The ornamental design for a storage box for coffee capsules, as shown and described.

**DESCRIPTION**

FIG. 1 is a front and bottom perspective view of a storage box for coffee capsules, showing my new design;  
 FIG. 2 is a top plan view thereof;  
 FIG. 3 is a bottom plan view thereof;  
 FIG. 4 is a left side view thereof;  
 FIG. 5 is a front view thereof;  
 FIG. 6 is a rear view thereof;  
 FIG. 7 is a rear and bottom perspective view thereof; and,  
 FIG. 8 is a top perspective view thereof with a drawer pulled out.  
 A right side view is omitted since the right side view is a mirror image of the left side view.

**1 Claim, 8 Drawing Sheets**





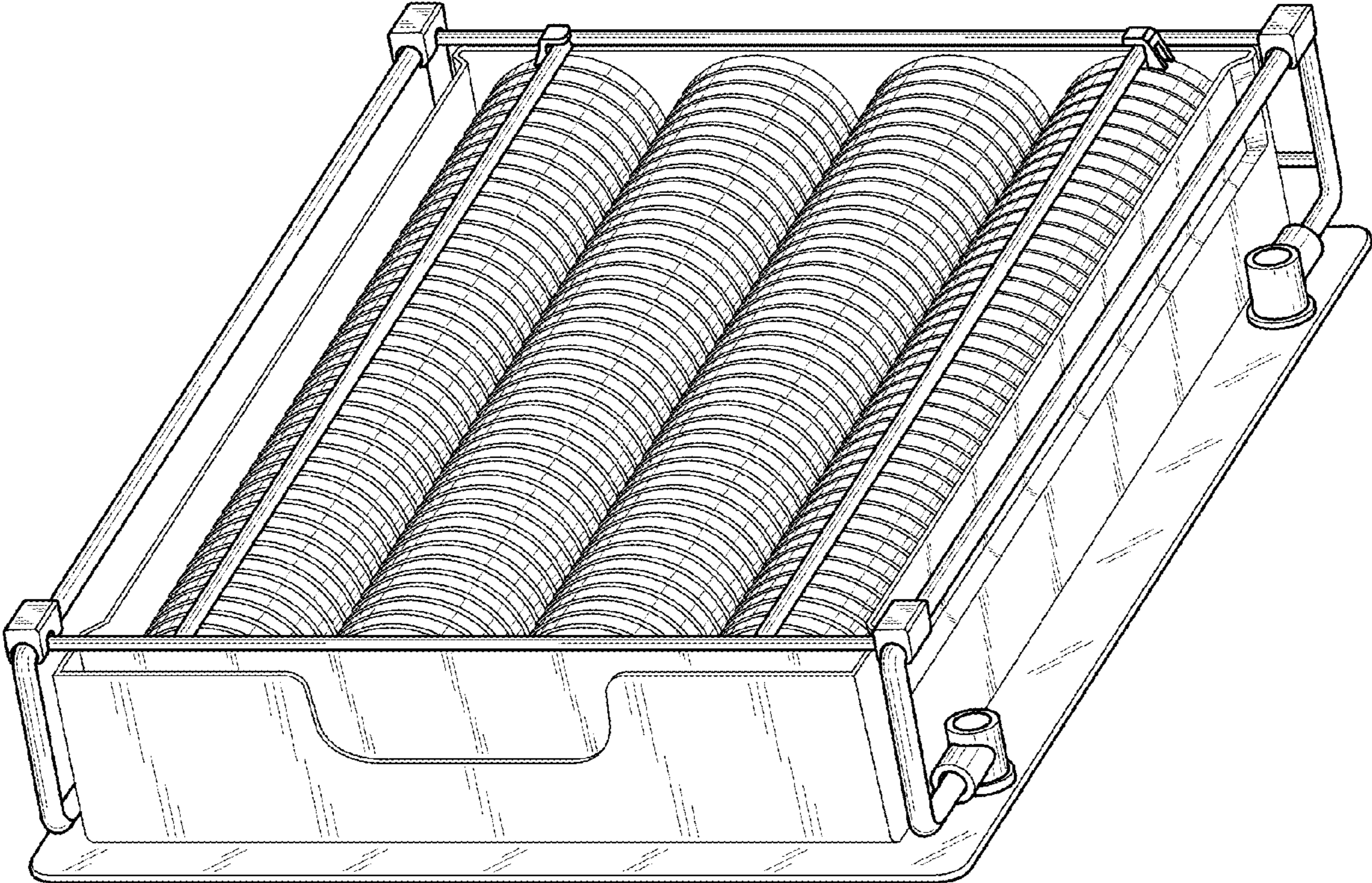


FIG. 1

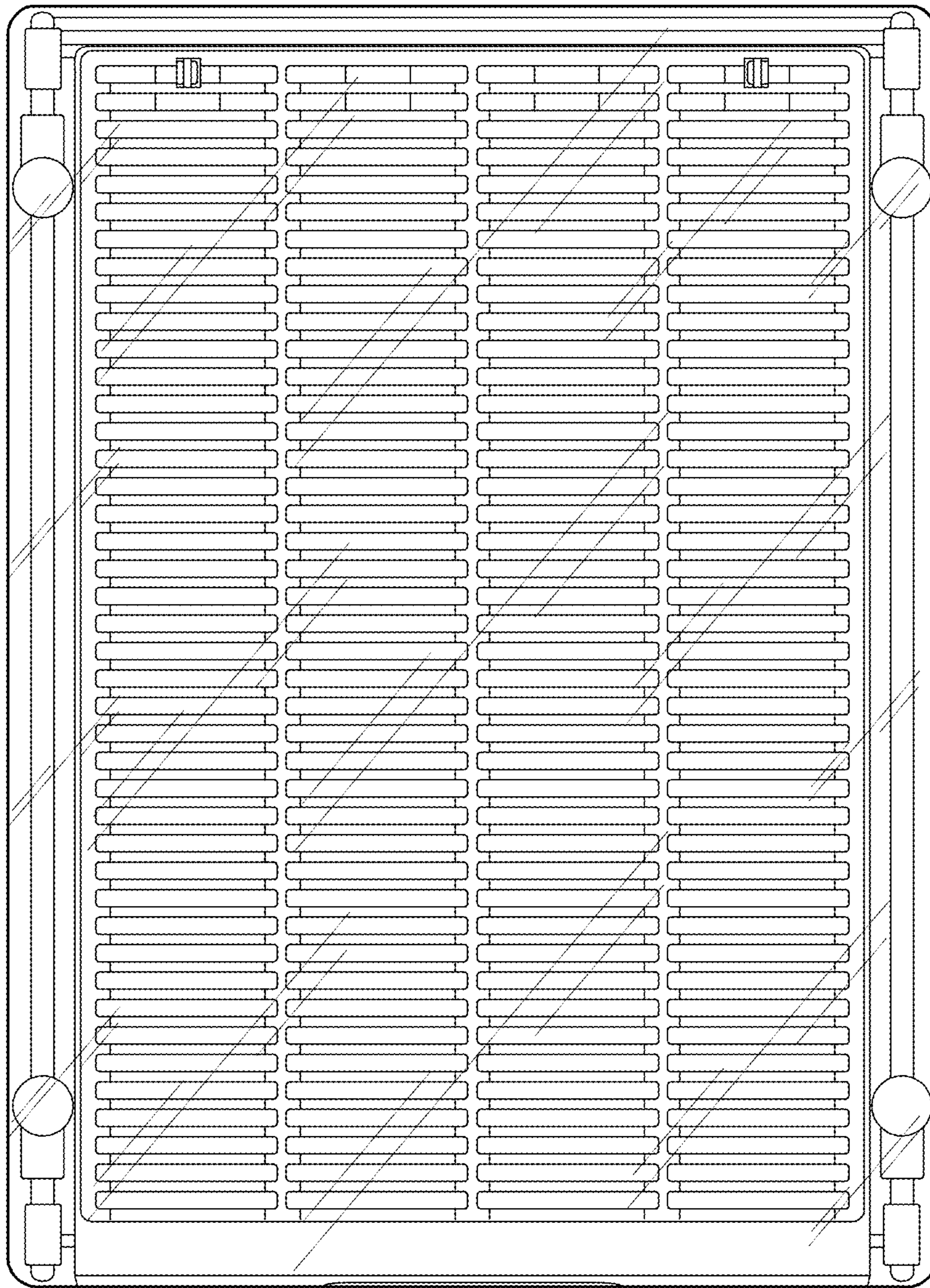


FIG. 2



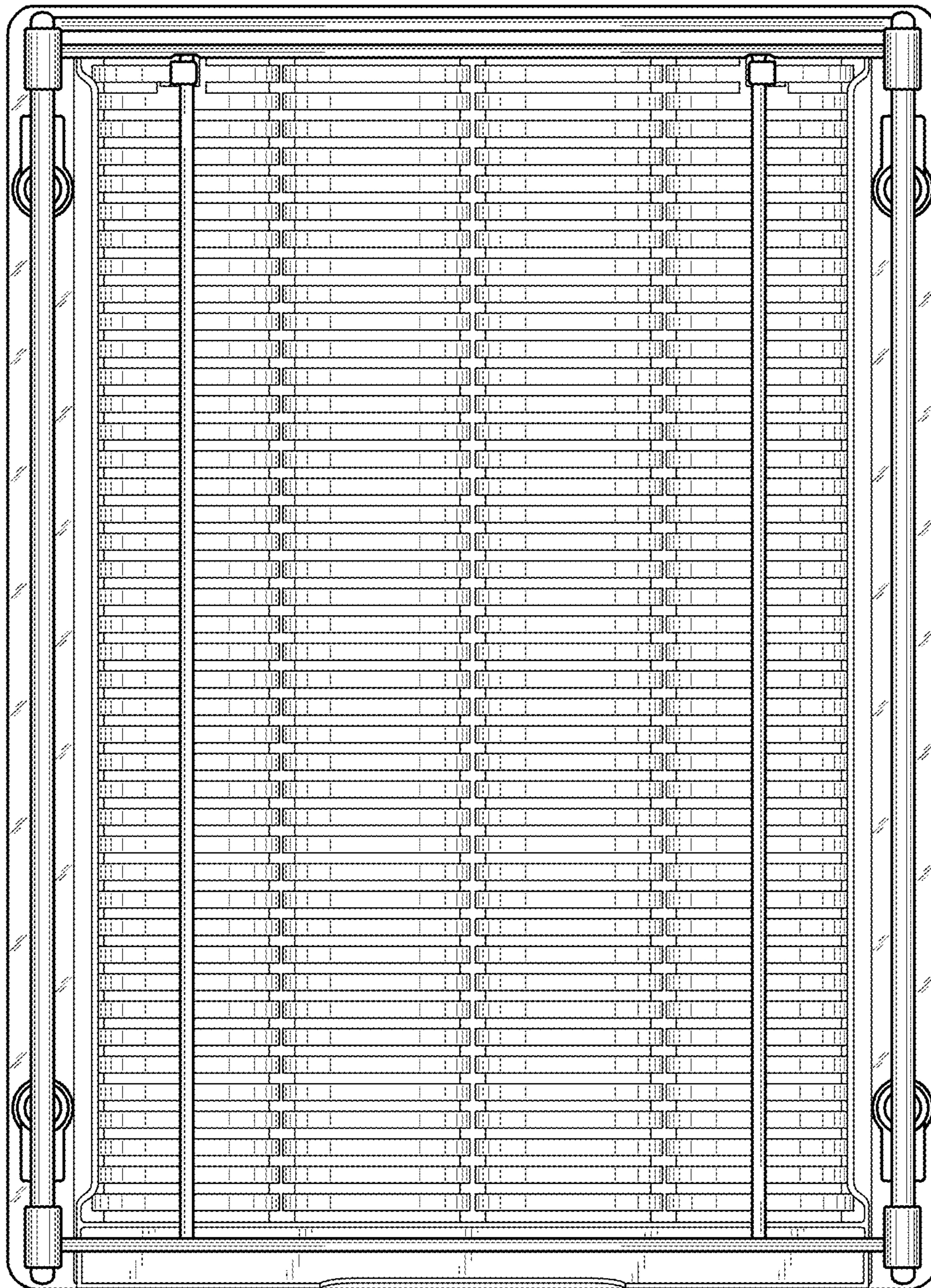


FIG. 3

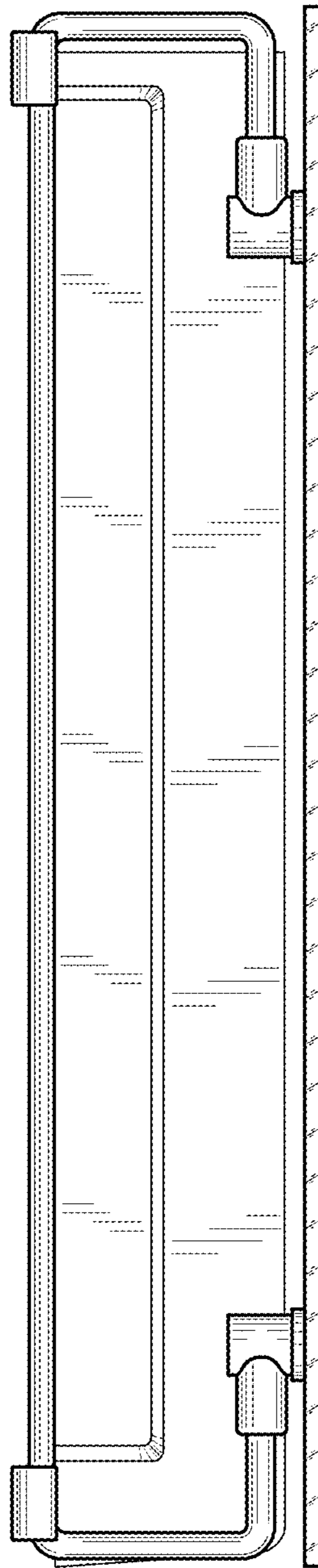


FIG. 4

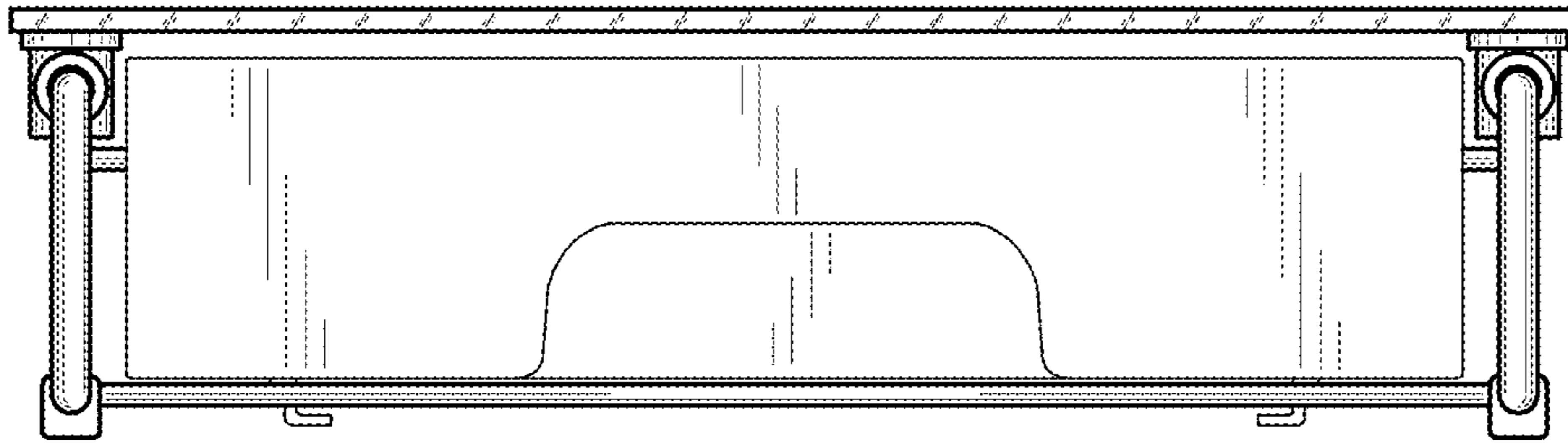


FIG. 5

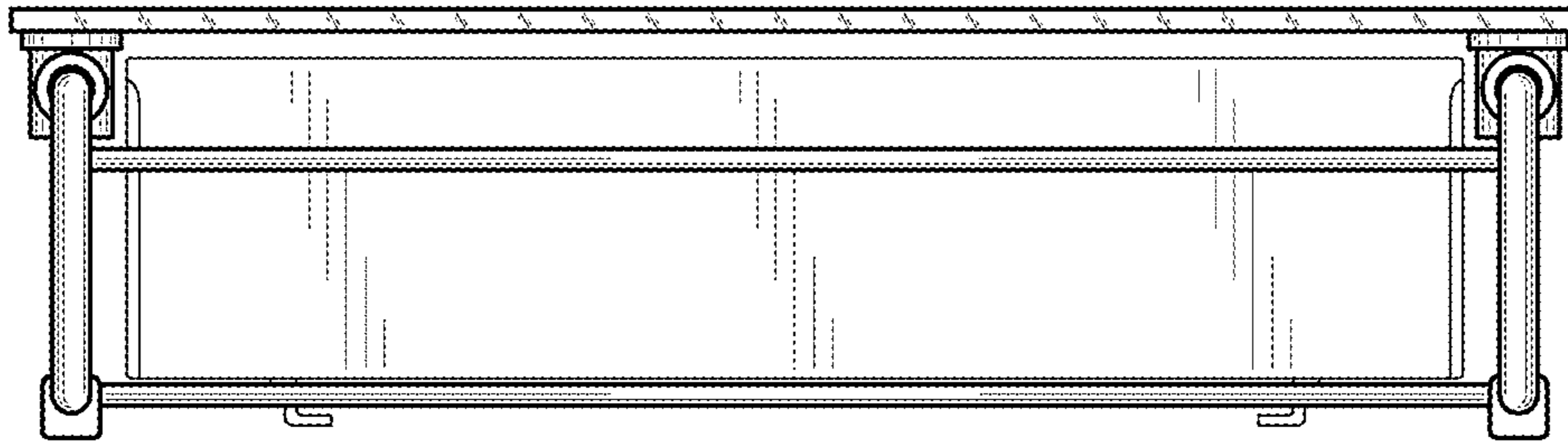


FIG. 6



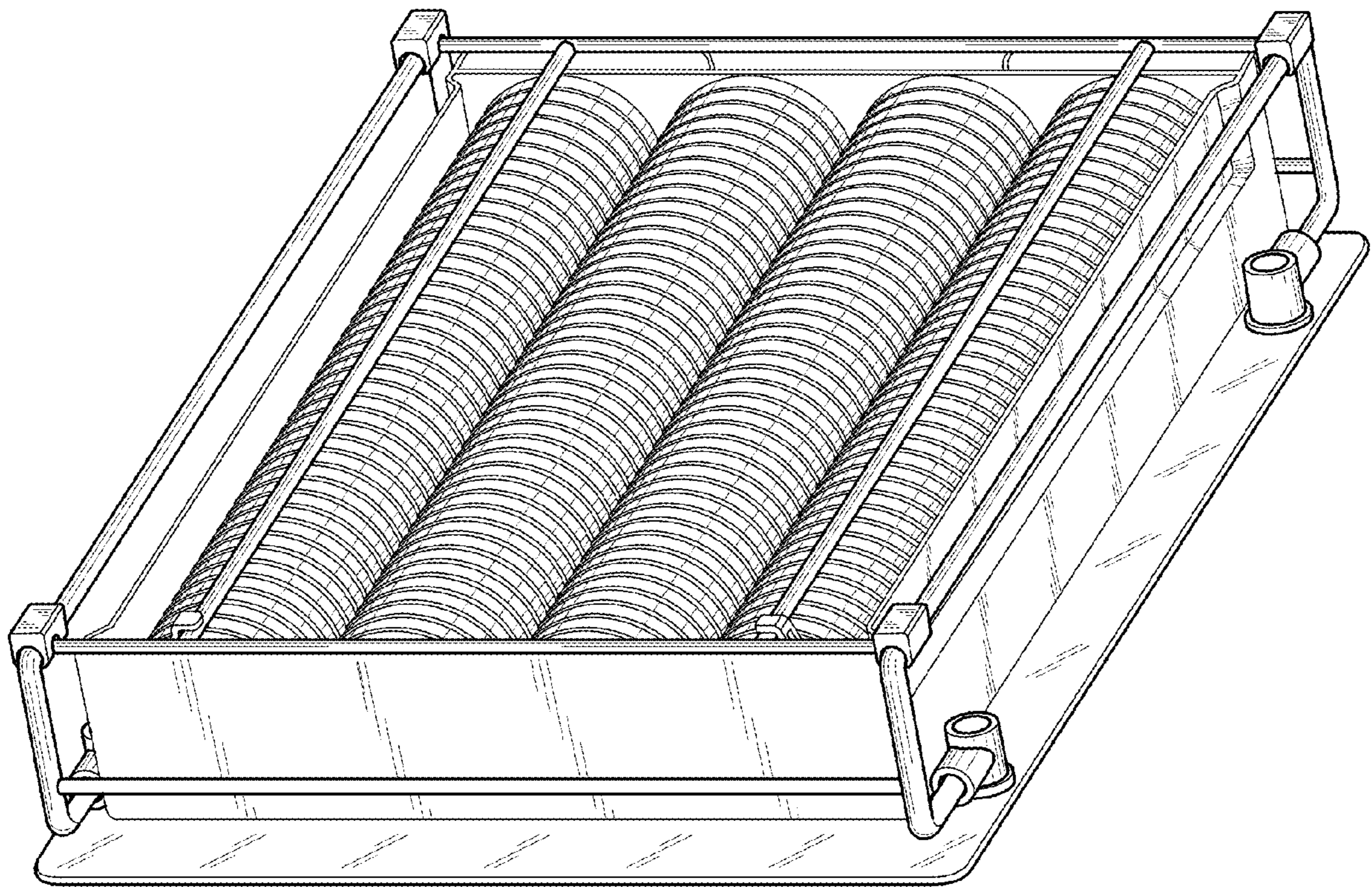


FIG. 7



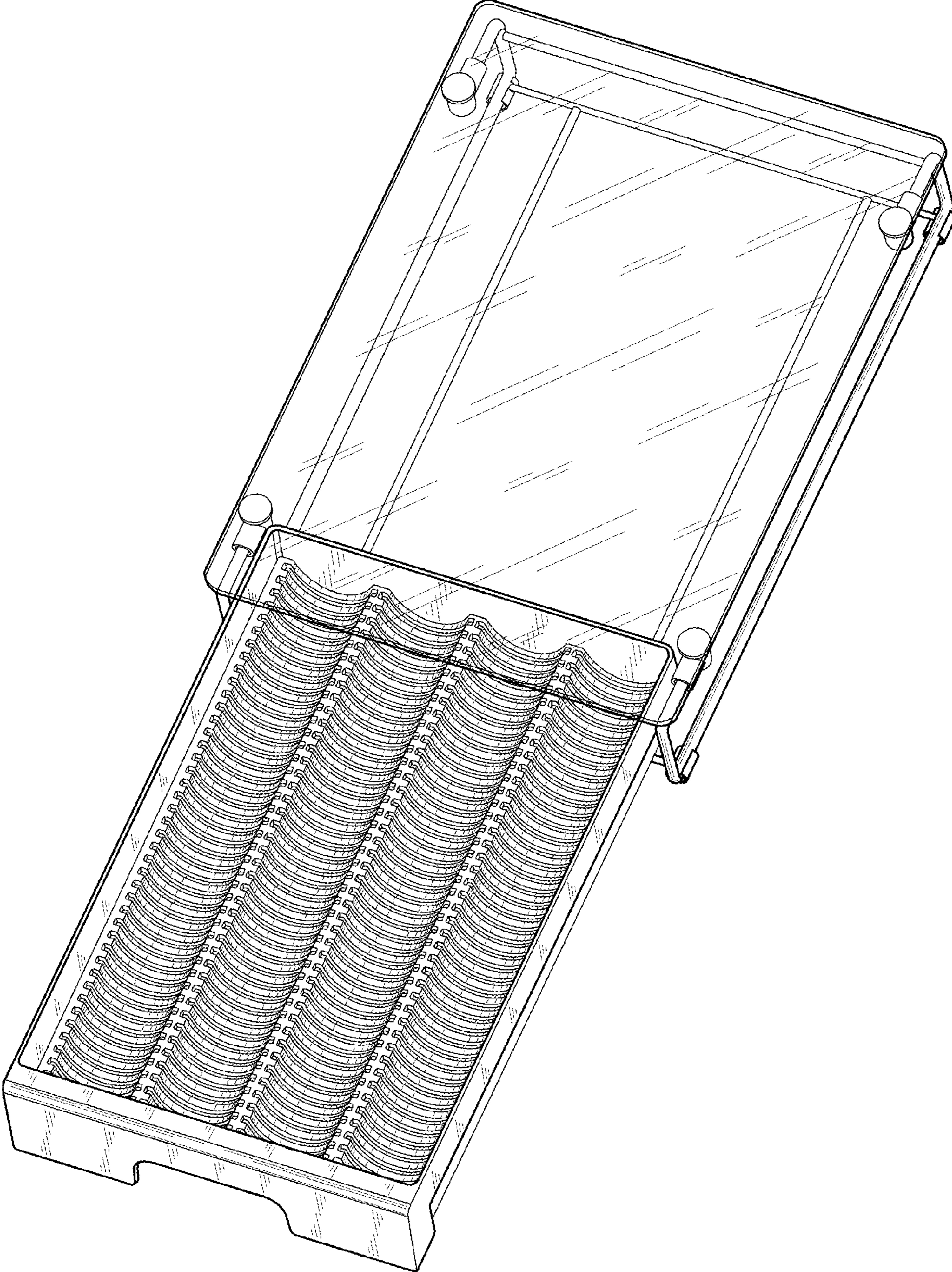


FIG. 8