



US00D983610S

(12) **United States Design Patent**  
**Melkonian**

(10) **Patent No.:** **US D983,610 S**  
(45) **Date of Patent:** **\*\* Apr. 18, 2023**

(54) **DISPENSER**

(71) Applicant: **Brio Water Technology, Inc.**, City of Industry, CA (US)

(72) Inventor: **Arman Melkonian**, Granada Hills, CA (US)

(73) Assignee: **Brio Water Technology, Inc.**, City of Industry, CA (US)

(\*\*) Term: **15 Years**

(21) Appl. No.: **29/844,955**

(22) Filed: **Jul. 1, 2022**

(51) **LOC (14) Cl.** ..... **07-07**

(52) **U.S. Cl.**  
USPC ..... **D7/589**; D7/306

(58) **Field of Classification Search**  
USPC ..... D7/300, 304-317, 321-322, 372-378, D7/399, 401-401.1, 412, 589-592; D6/512-520, 542-545, 530; D23/200-202, 205, 207-209, 365  
CPC ..... B67D 3/00; B67D 1/0041; A47J 31/40; A47J 31/42; A47J 31/405  
See application file for complete search history.

(56) **References Cited**

U.S. PATENT DOCUMENTS

D172,379 S *	6/1954	Boltz et al.	.....	D15/79
D317,544 S *	6/1991	Bermingham	.....	D7/307
D322,534 S *	12/1991	Chaney	.....	D7/306
5,072,590 A *	12/1991	Burrows	.....	F04D 7/045
				417/313
5,493,873 A *	2/1996	Donselman	.....	B67D 3/0032
				62/395
5,540,355 A *	7/1996	Hancock	.....	B67D 1/0802
				222/64
5,695,094 A *	12/1997	Burnham	.....	B67D 3/0009
				312/264
D399,088 S *	10/1998	Chaney	.....	D7/307
5,848,735 A *	12/1998	Eddy	.....	B67D 3/0029
				312/265.5

(Continued)

FOREIGN PATENT DOCUMENTS

CN 305984755 \* 8/2020  
CN 306484796 \* 4/2021

(Continued)

OTHER PUBLICATIONS

500 Series 4-Stage RO Bottleless Water Cooler, Brio, briowater.com, author and date unlisted © unlisted, online, site visited Aug. 27, 2022. Available at URL: <https://briowater.com/collections/bottleless-water-coolers/products/brio-500-series-bottle-less-water-cooler> (Year: 2022).\*

(Continued)

*Primary Examiner* — Holly E Thurman

*Assistant Examiner* — Altaira J Swangin

(74) *Attorney, Agent, or Firm* — Foundation Law Group LLP; Sevag Demirjian; JD Harriman

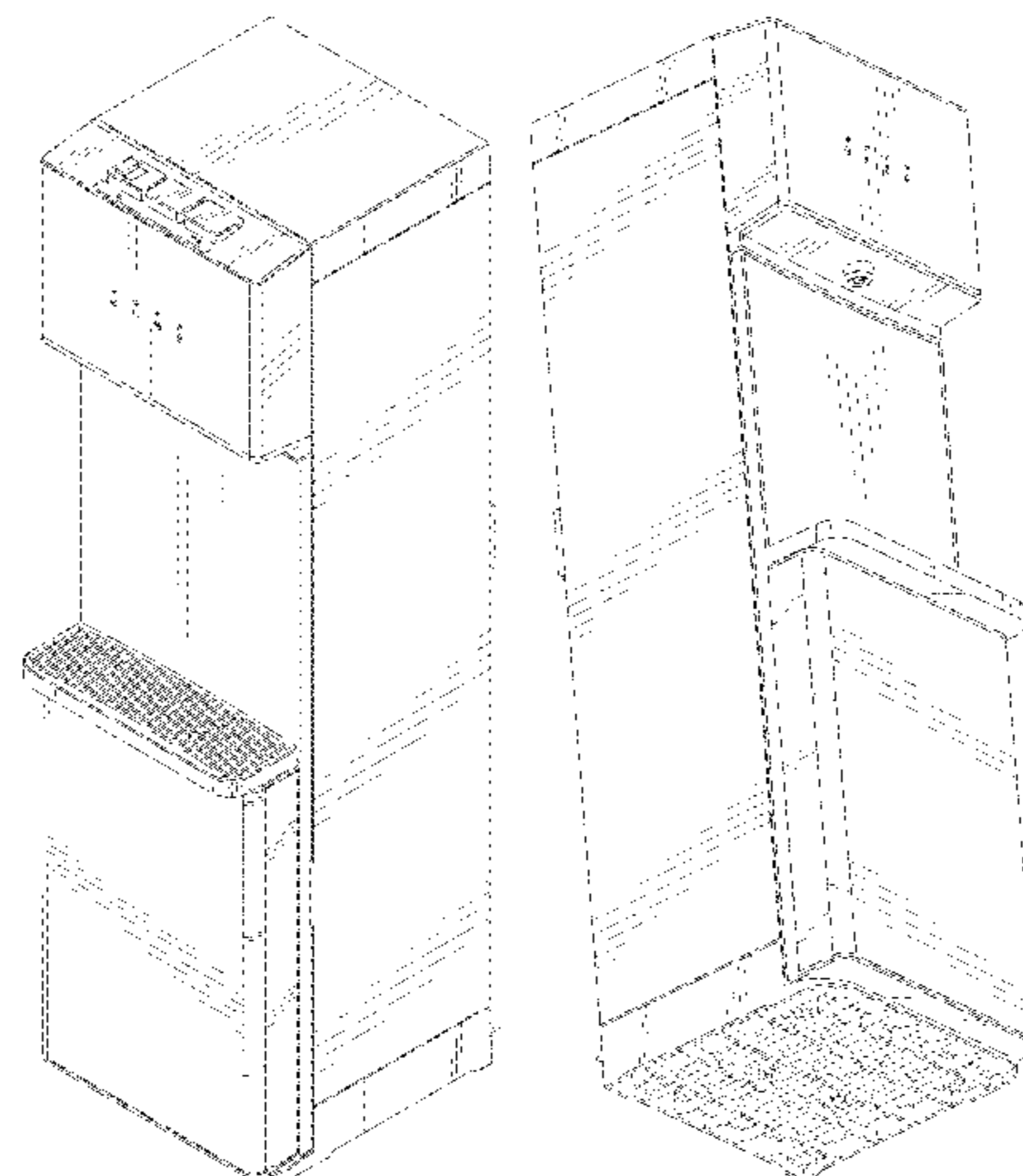
(57) **CLAIM**

I claim the ornamental design for a dispenser, as shown and described.

**DESCRIPTION**

FIG. 1 is a front, top perspective view, showing my new design for a dispenser  
FIG. 2 is a front, bottom perspective view;  
FIG. 3 is a front elevation view thereof;  
FIG. 4 is a rear elevation view thereof;  
FIG. 5 is a right side elevation view thereof;  
FIG. 6 is a left side elevation view thereof;  
FIG. 7 is a top plan view thereof; and,  
FIG. 8 is a bottom plan view thereof.  
The broken lines show portions of the dispenser that form no part of the claimed design.

**1 Claim, 8 Drawing Sheets**



(56)

References Cited

U.S. PATENT DOCUMENTS

D571,141 S \* 6/2008 Roosmalen ..... D7/307  
 D604,554 S 11/2009 Lippert et al.  
 D643,239 S \* 8/2011 Wang ..... D7/313  
 D643,240 S 8/2011 Yui  
 D643,668 S 8/2011 Yui  
 D651,842 S \* 1/2012 Spear ..... D7/313  
 D714,580 S \* 10/2014 Moon ..... D7/307  
 D716,093 S \* 10/2014 Jakeman ..... D7/311  
 D736,024 S \* 8/2015 Taubman ..... D7/311  
 D790,898 S \* 7/2017 Taubman ..... D7/311  
 D805,601 S \* 12/2017 Roh ..... D23/207  
 D813,346 S \* 3/2018 Lee ..... D23/207  
 D820,418 S \* 6/2018 Schlag ..... D23/318  
 D846,328 S \* 4/2019 Tan ..... D7/311  
 D868,522 S \* 12/2019 Jeon ..... D7/307  
 D876,866 S 3/2020 Haas  
 D878,134 S \* 3/2020 Rubin ..... D7/313  
 D882,037 S \* 4/2020 Roh ..... D23/207  
 D882,337 S \* 4/2020 Moon ..... D7/397  
 D884,407 S \* 5/2020 Tan ..... D7/307  
 D913,412 S \* 3/2021 Lee ..... D23/207  
 D945,809 S \* 3/2022 Gates ..... D7/306  
 D947,988 S \* 4/2022 Seo ..... D23/207  
 D948,264 S \* 4/2022 Sun ..... D7/306  
 D948,265 S 4/2022 Li et al.  
 D948,266 S 4/2022 Li et al.  
 D948,268 S \* 4/2022 Sun ..... D7/307

D948,909 S 4/2022 Sun et al.  
 D948,910 S \* 4/2022 Sun ..... D7/307  
 D959,889 S \* 8/2022 Mycroft ..... D7/306  
 2004/0226313 A1\* 11/2004 Busick ..... B67D 3/0009  
 62/397  
 2009/0077992 A1\* 3/2009 Anderson ..... C02F 1/18  
 62/291  
 2017/0071228 A1\* 3/2017 Ferraz Cury ..... G07F 17/00

FOREIGN PATENT DOCUMENTS

CN 306798818 \* 8/2021  
 CN 307197419 \* 3/2022  
 CN 307331867 \* 5/2022

OTHER PUBLICATIONS

A3 Bottom Loading Bottled Water Cooler, Avalon, avalonh2o.com, author unlisted, published Sep. 24, 2020 per wayback machine © 2022 Avalon Water Coolers, online, site visited Aug. 29, 2022. Available at URL: <https://www.avalonh2o.com/products/a3-bottom-load-standing-water-cooler> (Year: 2020).\*

Bottom Loading Water Dispenser, HomeLabs, amazon.com, published by HomeLabs, first available on Jun. 19, 2019 © 1996-2022 Amazon.com, Inc., online, site visited Aug. 29, 2022. Available at URL: <https://www.amazon.com/hOmeLabs-Bottom-Loading-Dispenser-Gallon/dp/B07TDCVX88> (Year: 2019).\*

\* cited by examiner

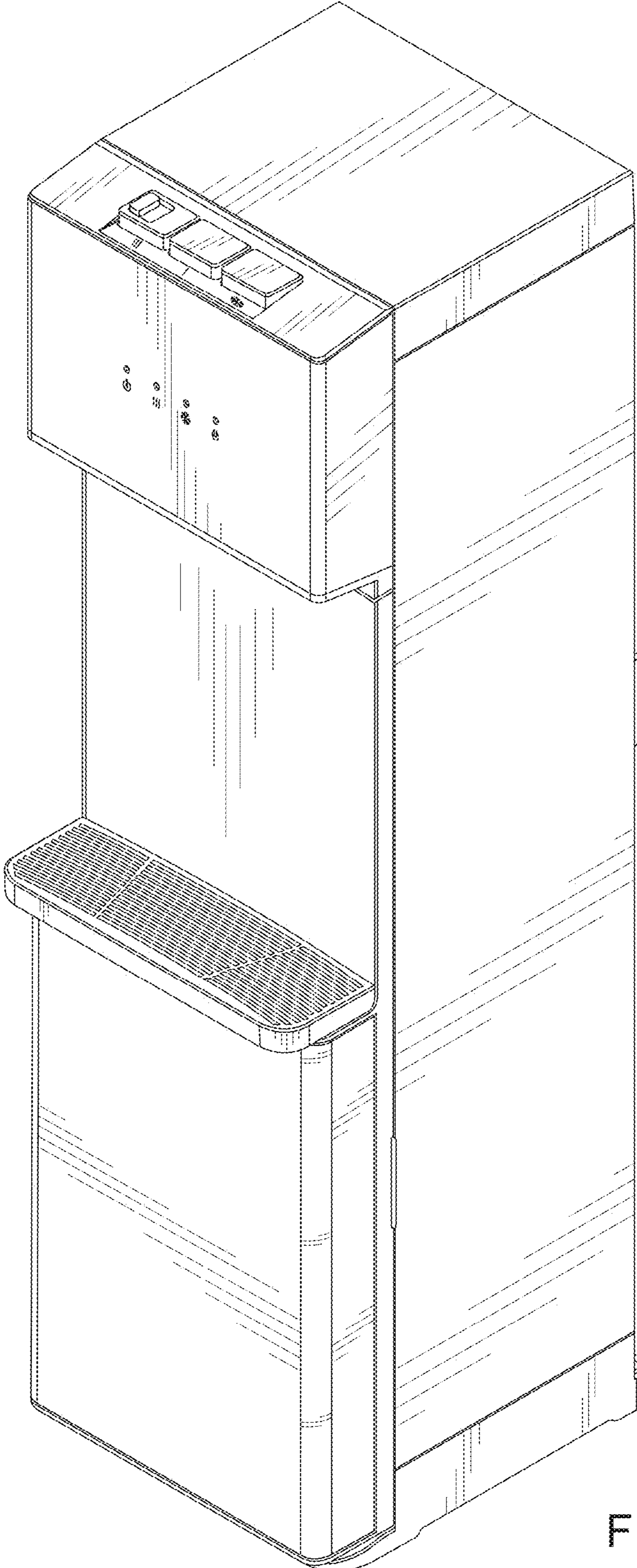


FIG. 1

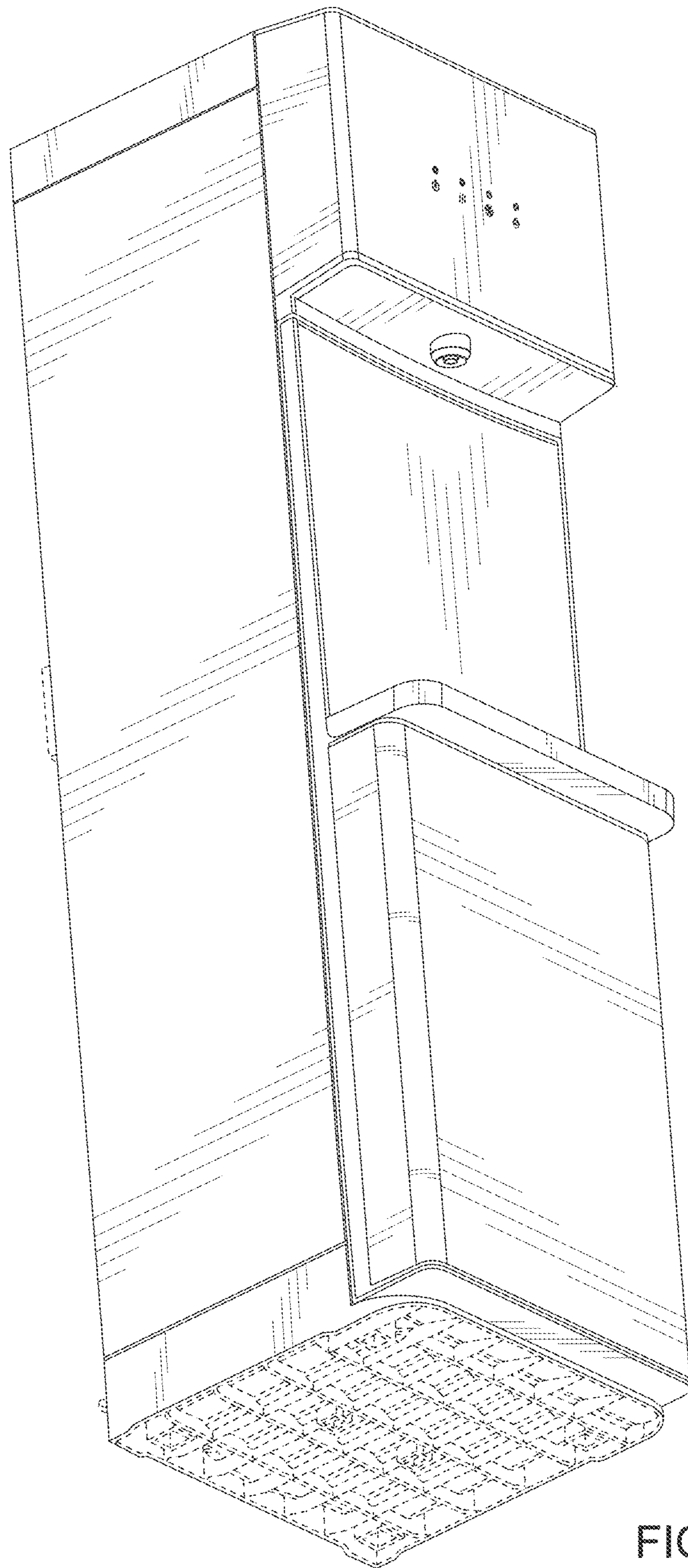


FIG. 2

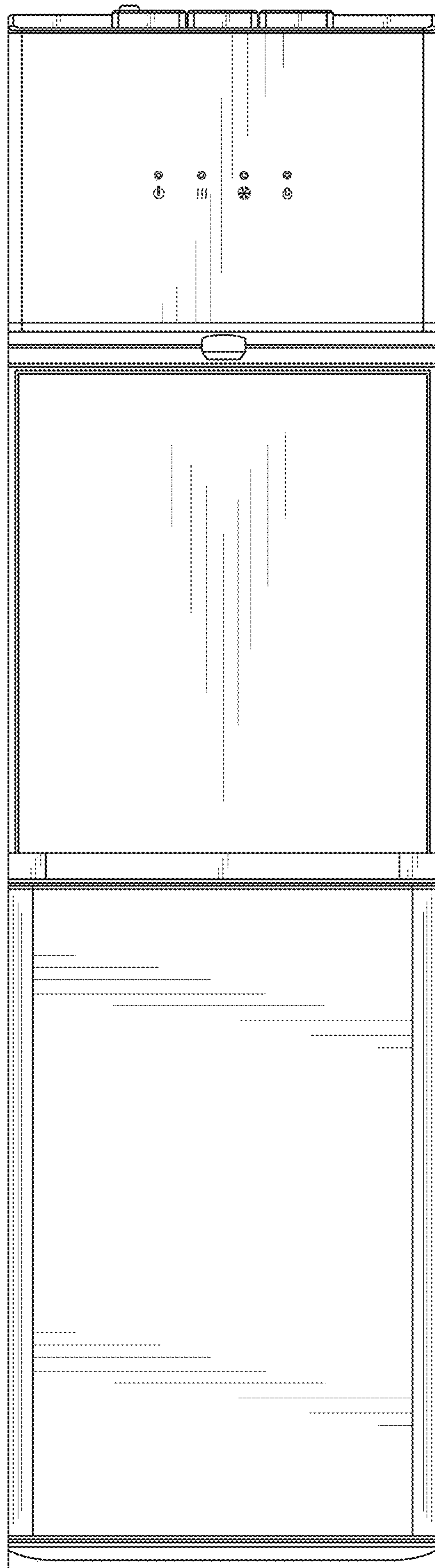


FIG. 3

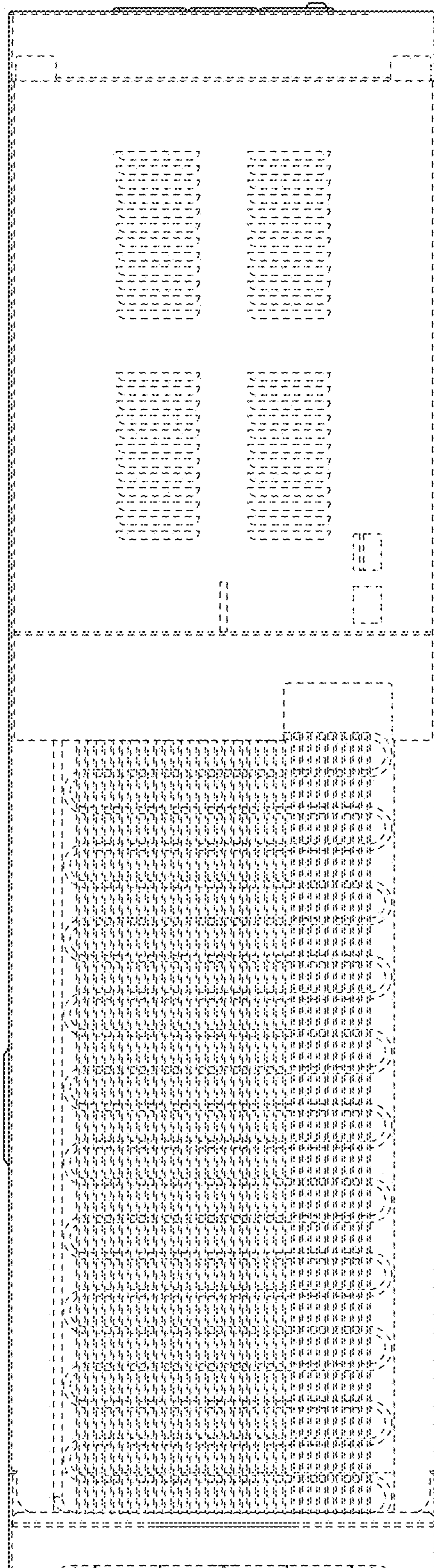


FIG. 4

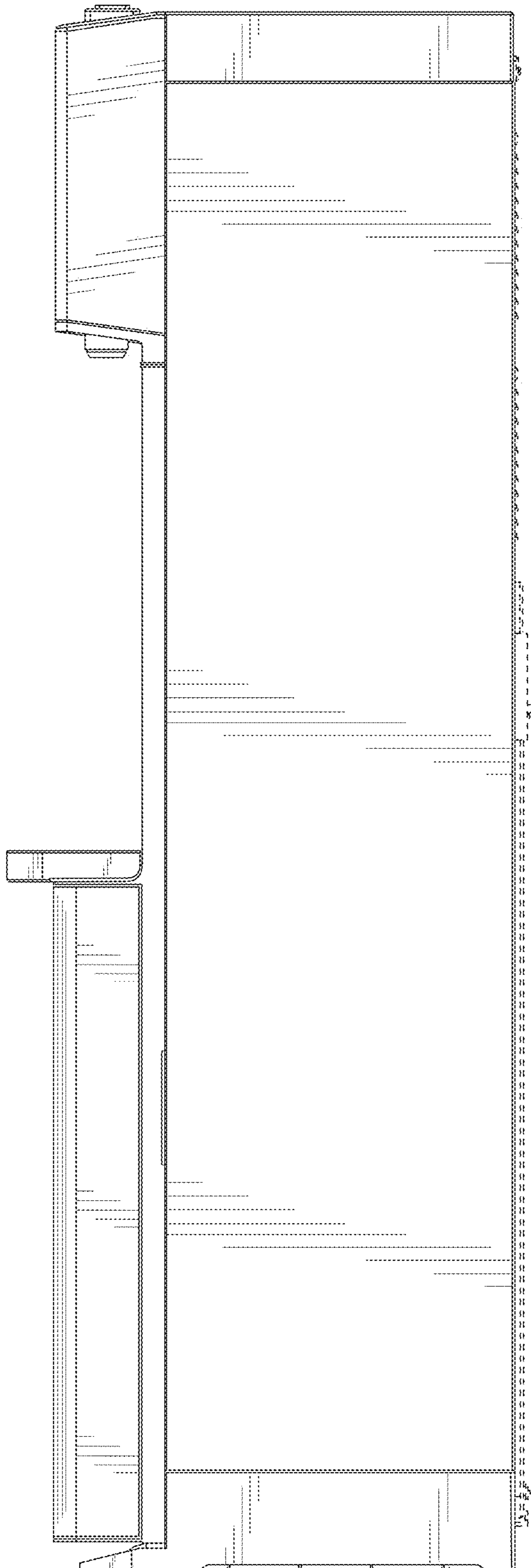


FIG. 5

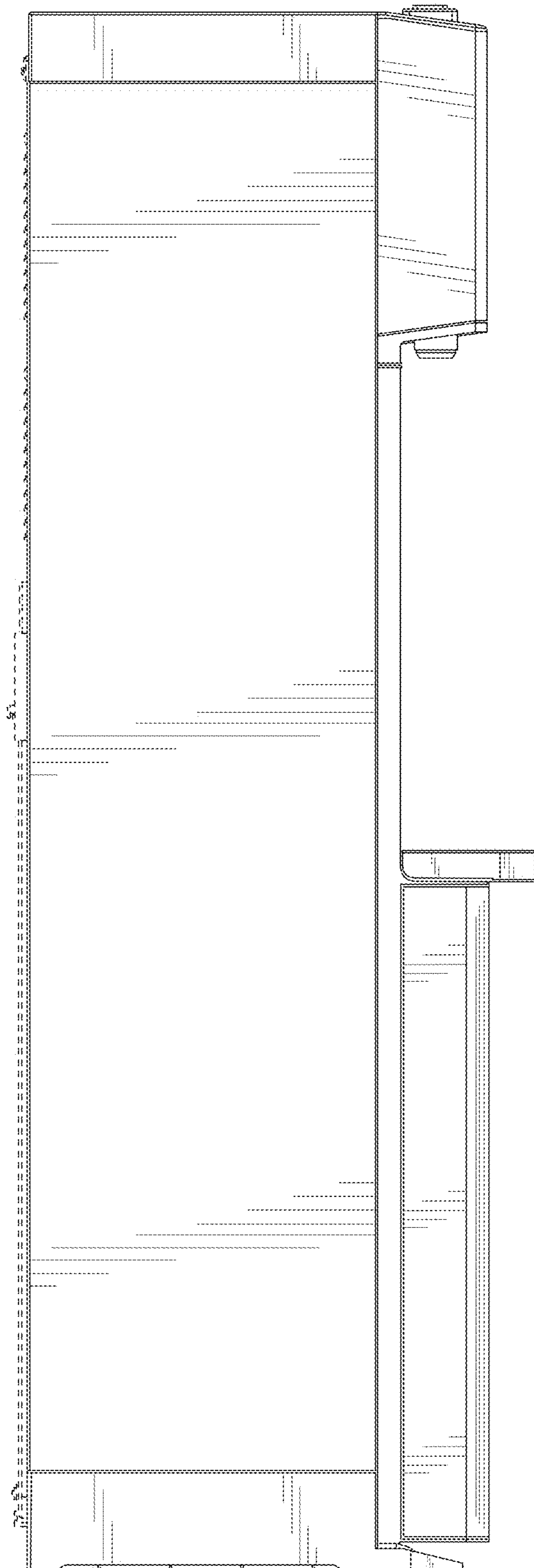


FIG. 6



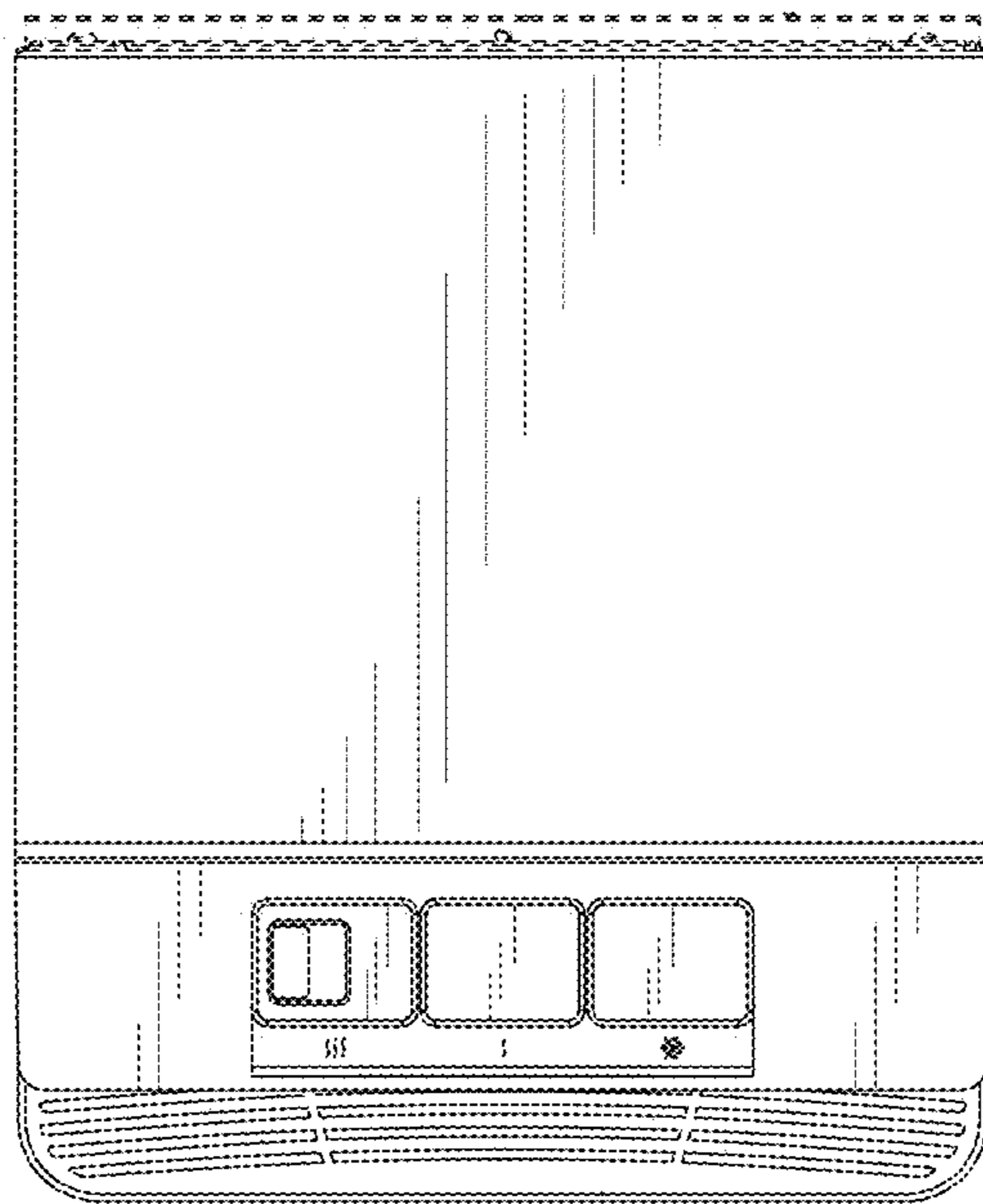


FIG. 7

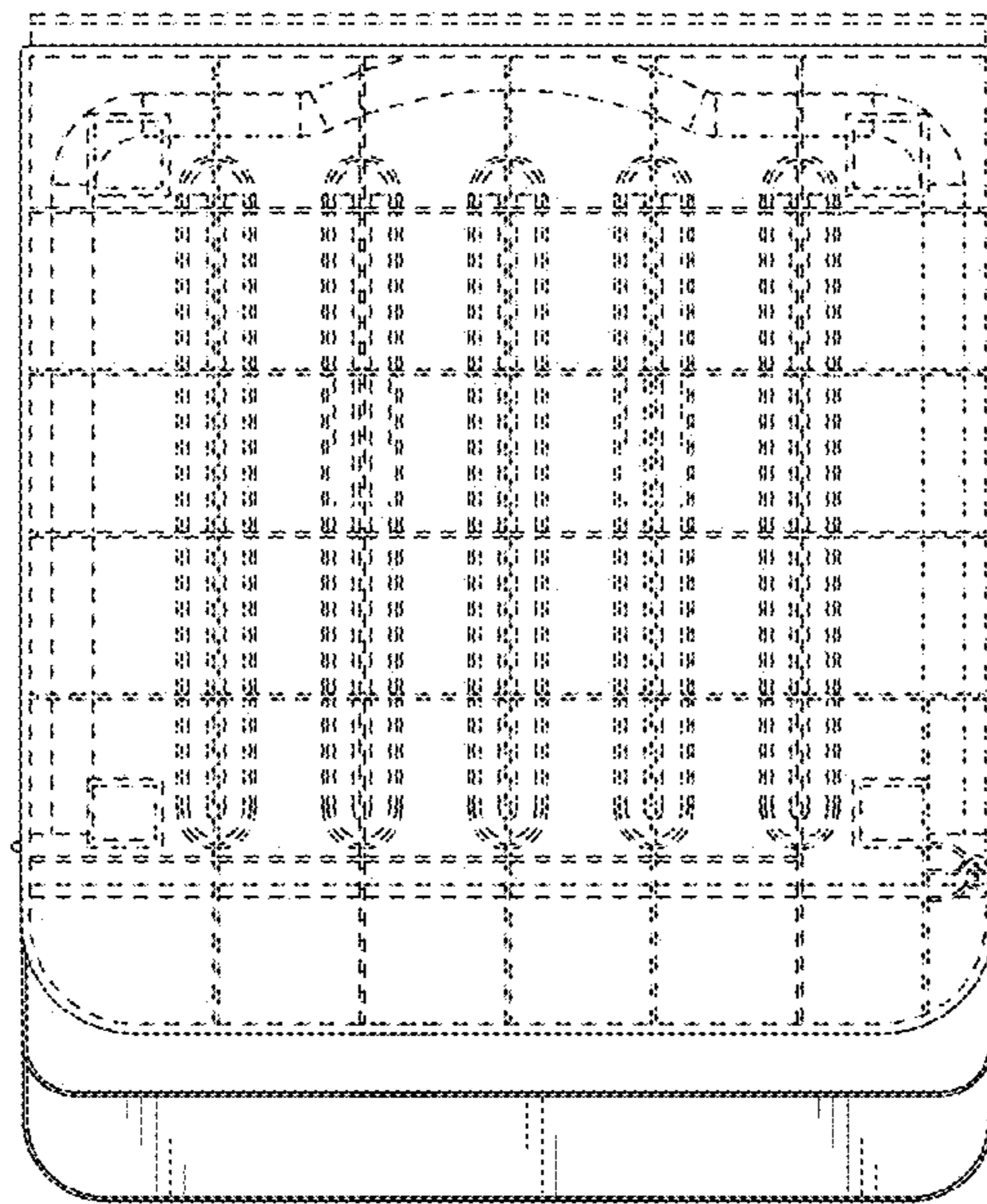


FIG. 8