



US00D983605S

(12) **United States Design Patent**
Zhong

(10) **Patent No.:** **US D983,605 S**

(45) **Date of Patent:** **** Apr. 18, 2023**

(54) **STORAGE TRAY**

(71) Applicant: **Peng Zhong**, Suining County (CN)

(72) Inventor: **Peng Zhong**, Suining County (CN)

(**) Term: **15 Years**

(21) Appl. No.: **29/852,581**

(22) Filed: **Sep. 8, 2022**

(51) **LOC (14) Cl.** **07-01**

(52) **U.S. Cl.**
USPC **D7/501**

(58) **Field of Classification Search**
USPC D7/550.1, 554.2, 501, 600.2, 610;
220/23.8; 206/551

CPC A47G 19/065; A47J 47/16; A47B 49/004;
A47B 11/00

See application file for complete search history.

(56) **References Cited**

U.S. PATENT DOCUMENTS

- 777,492 A * 12/1904 Bruebach A47B 11/00
108/142
- 1,687,149 A * 10/1928 Shauer F25D 25/027
312/307
- 2,118,326 A * 5/1938 Richardson, Jr. A47G 23/03
248/346.11
- D171,849 S * 3/1954 Fulton D7/501
- D174,978 S * 6/1955 Barnhart D7/501
- D212,109 S * 8/1968 Taylor D7/614
- 3,608,739 A * 9/1971 Duboff A47F 5/05
211/40
- D323,446 S * 1/1992 Morse D6/680.1
- D345,473 S * 3/1994 Grundmann F16M 11/08
D15/140
- D364,057 S * 11/1995 Bowman D6/705.7

- 6,161,333 A * 12/2000 Poston A01G 9/02
47/86
- D465,350 S * 11/2002 Byrne D6/407
- D495,560 S * 9/2004 Swoboda D7/554.2
- D576,838 S * 9/2008 Wong D7/501
- D723,324 S * 3/2015 Feriola D7/354
- D752,922 S * 4/2016 Greenwood D7/501
- D833,031 S * 11/2018 Curry D24/227
- D859,936 S * 9/2019 Buck D7/629
- D908,429 S * 1/2021 Tsukii D7/501
- D923,413 S * 6/2021 Zemel D7/550.1
- D925,983 S 7/2021 Han
- D939,275 S 12/2021 Greenwood
- D939,276 S 12/2021 Greenwood
- D941,633 S 1/2022 Ghiorghie et al.
- D951,710 S * 5/2022 Luo D7/501
- D955,816 S 6/2022 Nurse

* cited by examiner

Primary Examiner — Cynthia R Underwood

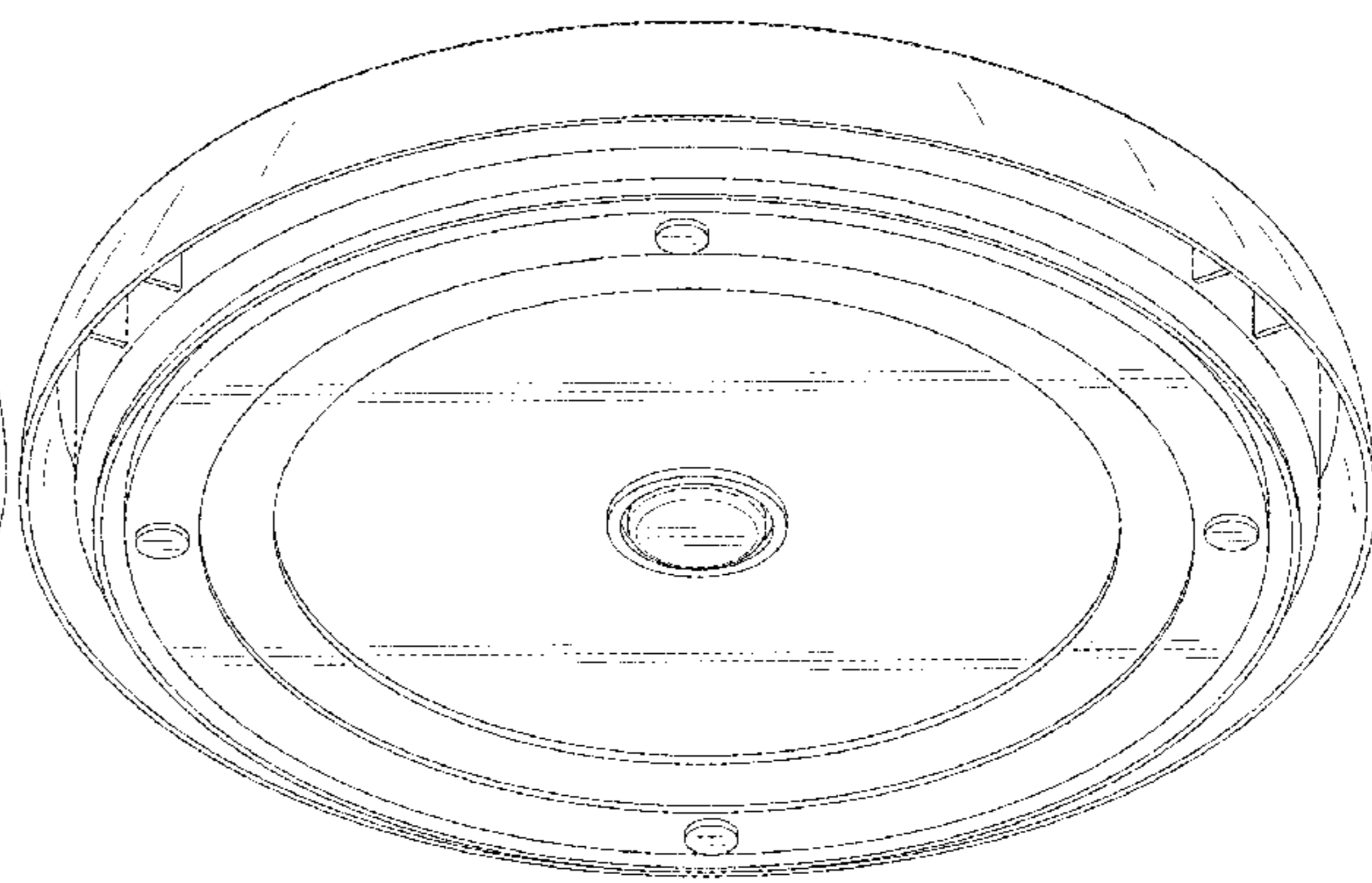
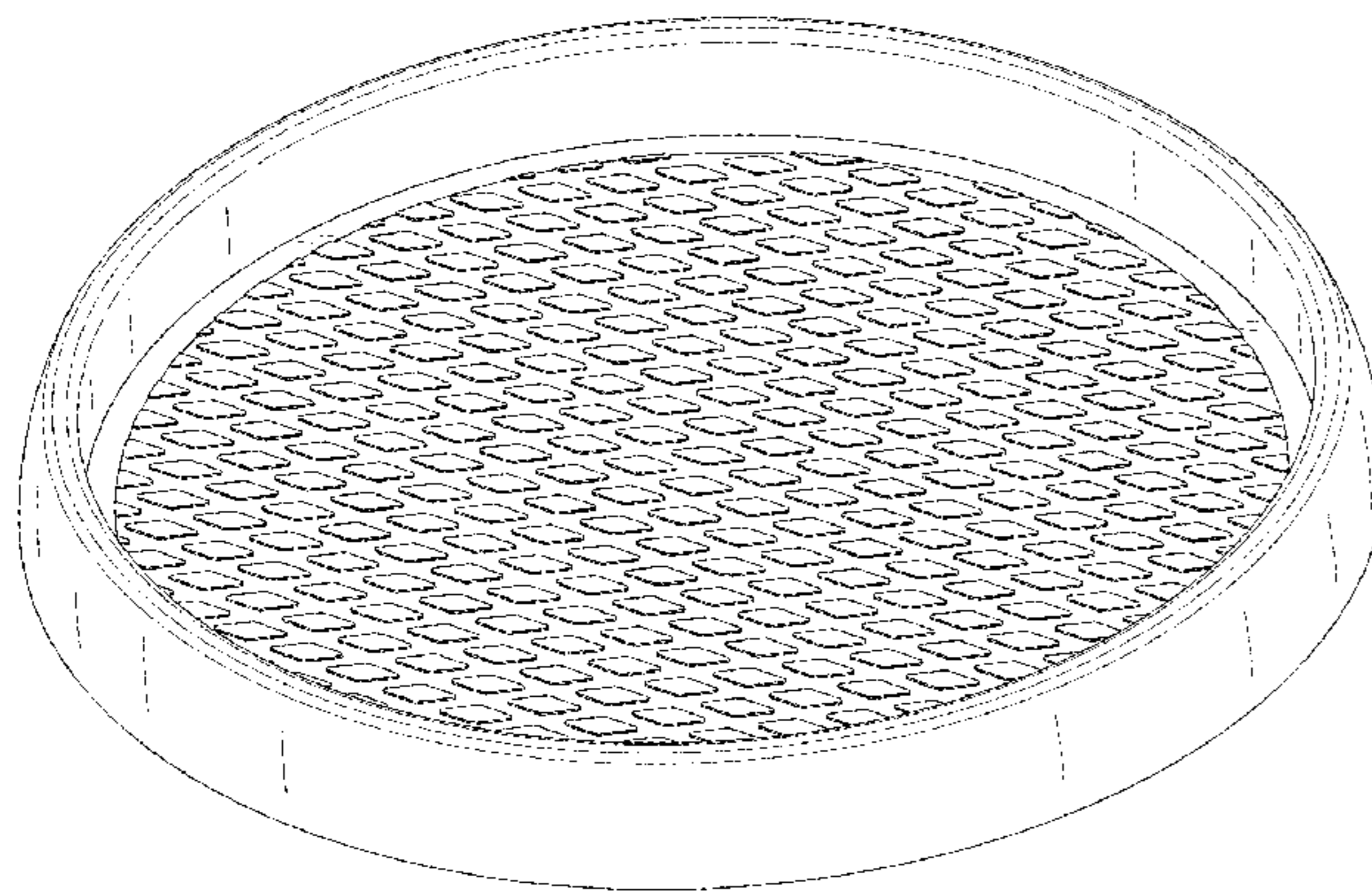
(57) **CLAIM**

The ornamental design for storage tray, as shown and described.

DESCRIPTION

FIG. 1 is a front and top perspective view of a storage tray, showing my new design;
 FIG. 2 is a rear and bottom perspective view thereof;
 FIG. 3 is a front elevational view thereof;
 FIG. 4 is a rear elevational view thereof;
 FIG. 5 is a left elevational view thereof;
 FIG. 6 is a right elevational view thereof;
 FIG. 7 is a top plan view thereof;
 FIG. 8 is a bottom plan view thereof; and,
 FIG. 9 is a rear and bottom perspective view thereof when being opened.

1 Claim, 9 Drawing Sheets



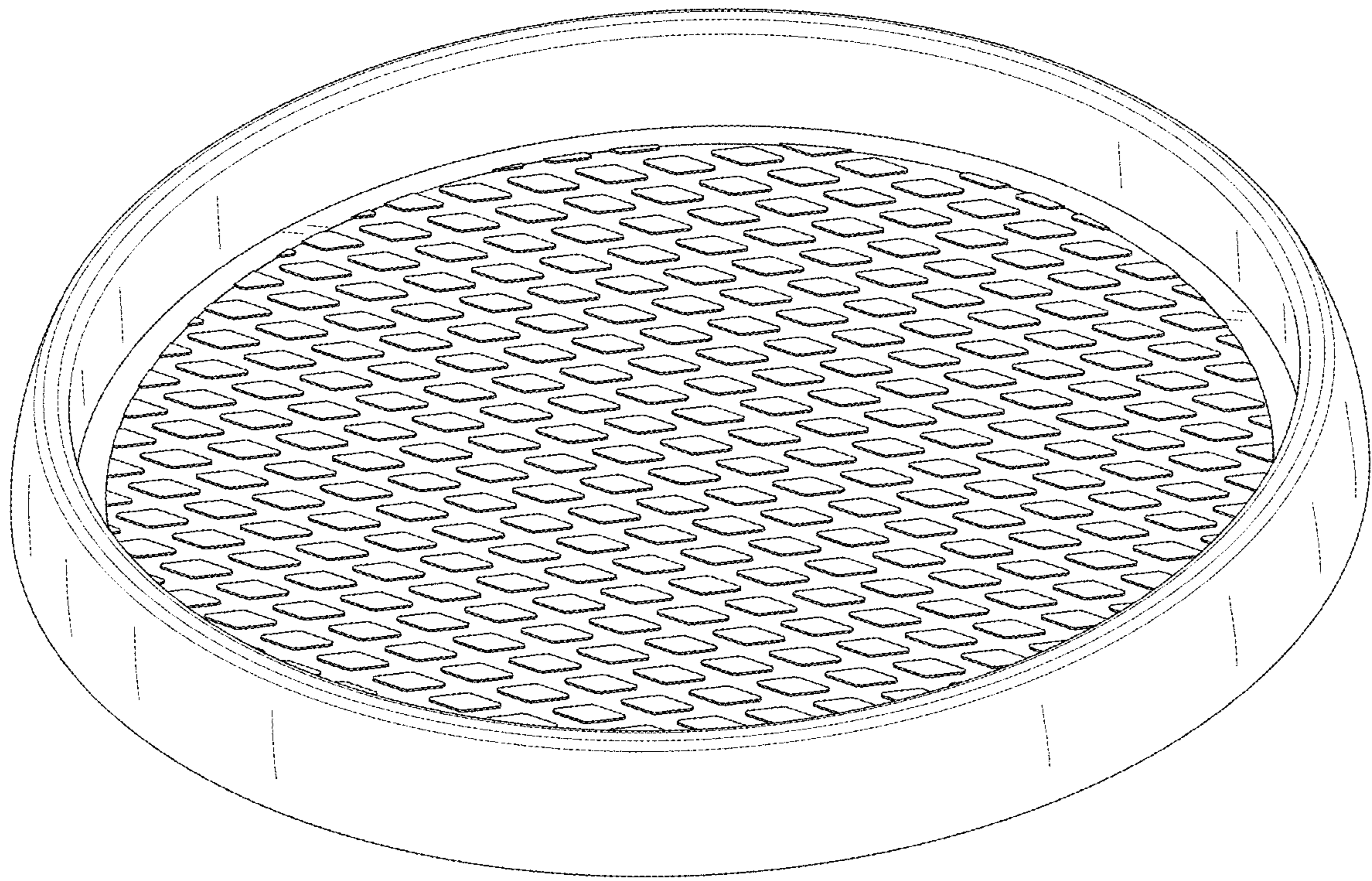


FIG. 1

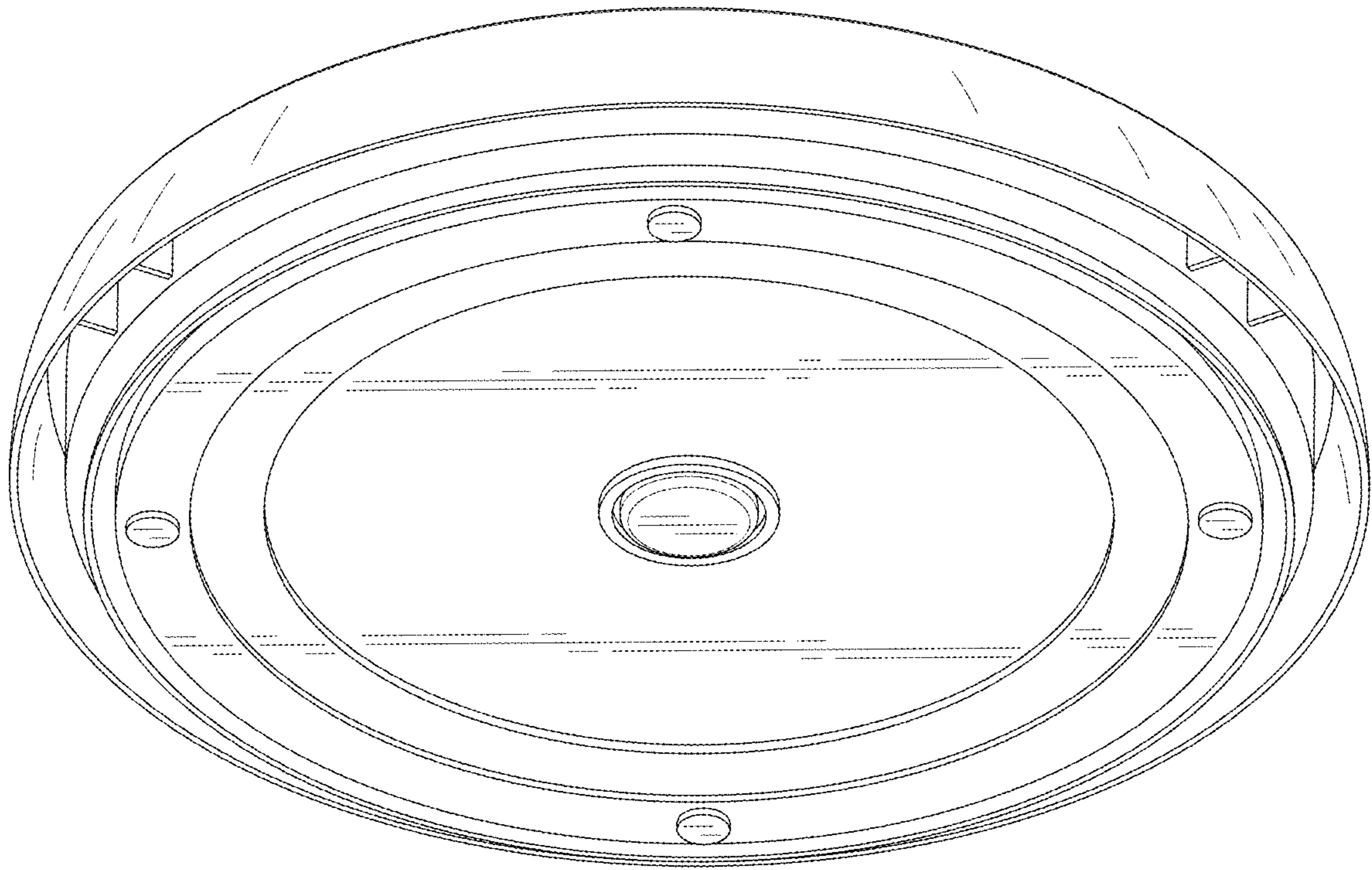


FIG. 2

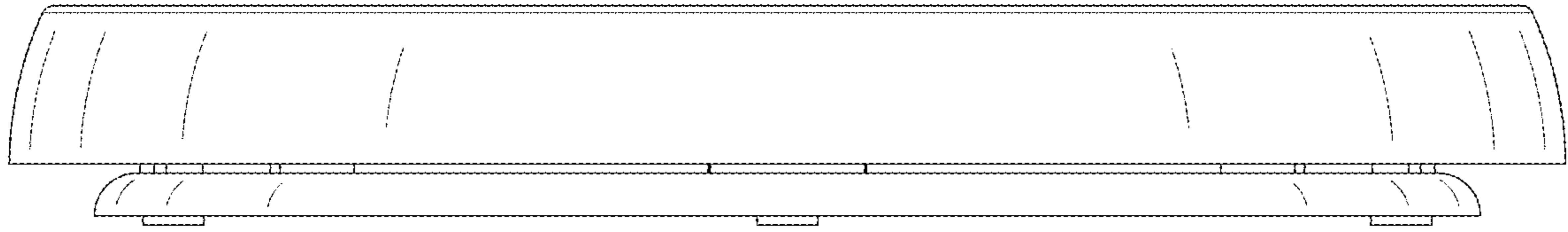


FIG. 3

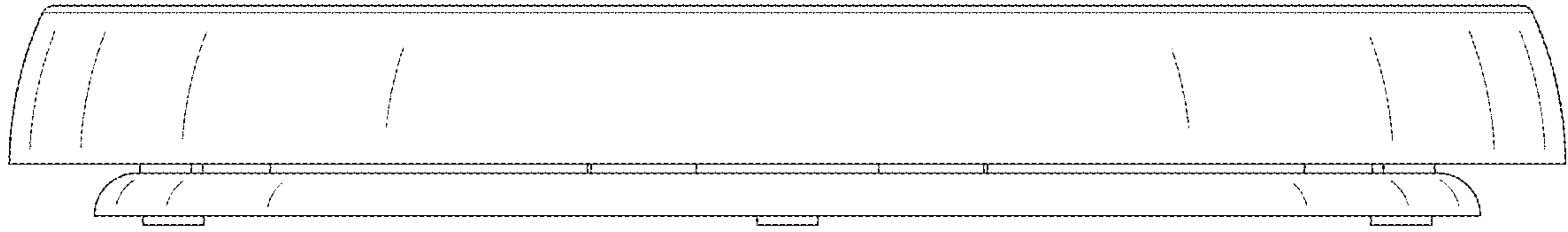


FIG. 4

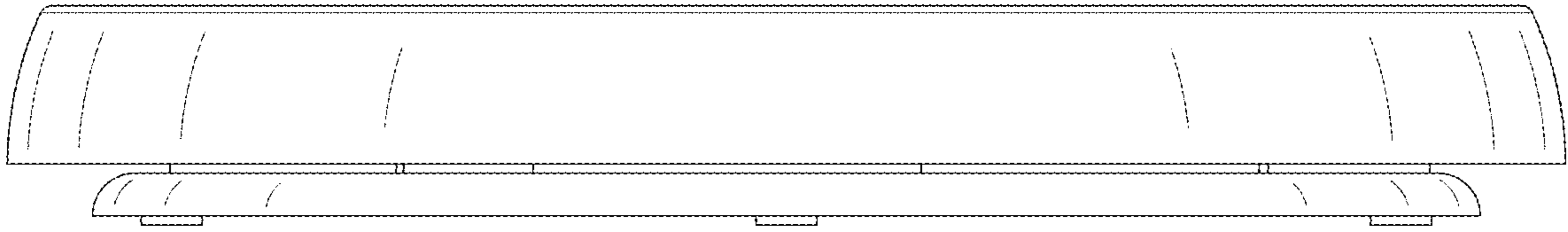


FIG. 5

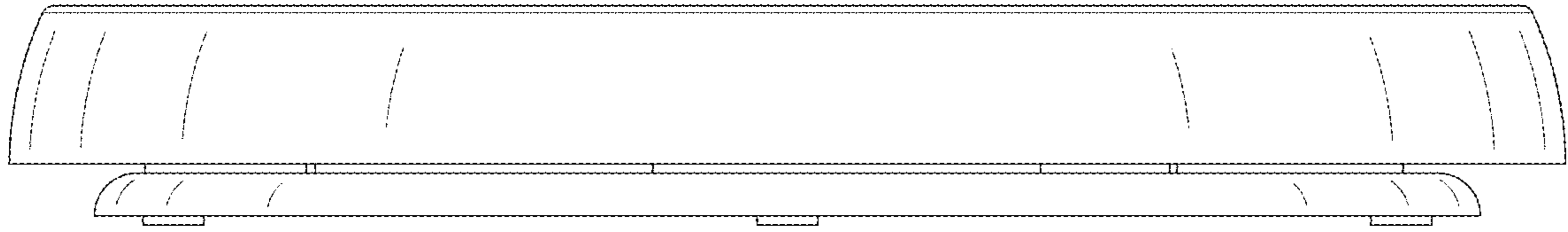


FIG. 6

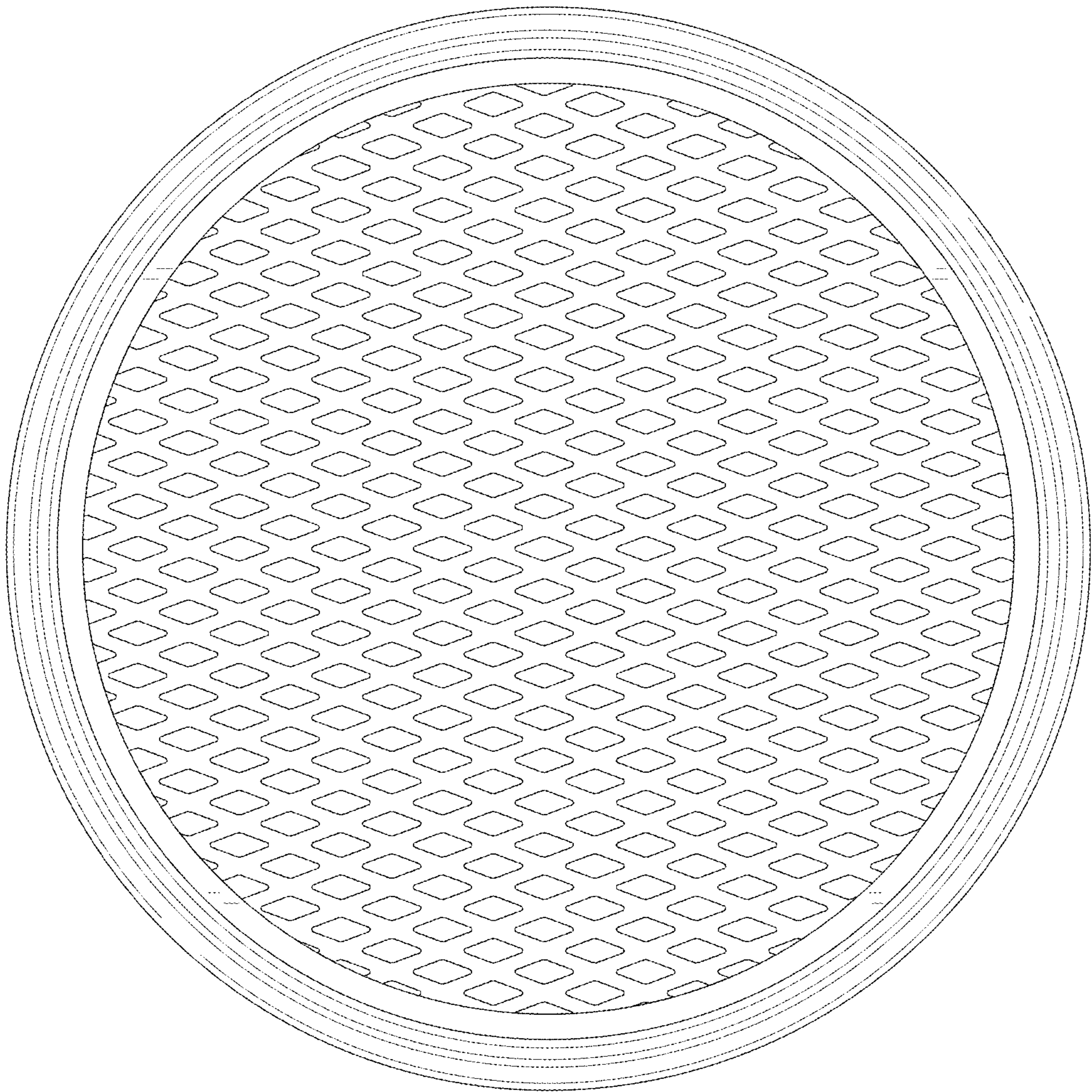


FIG. 7

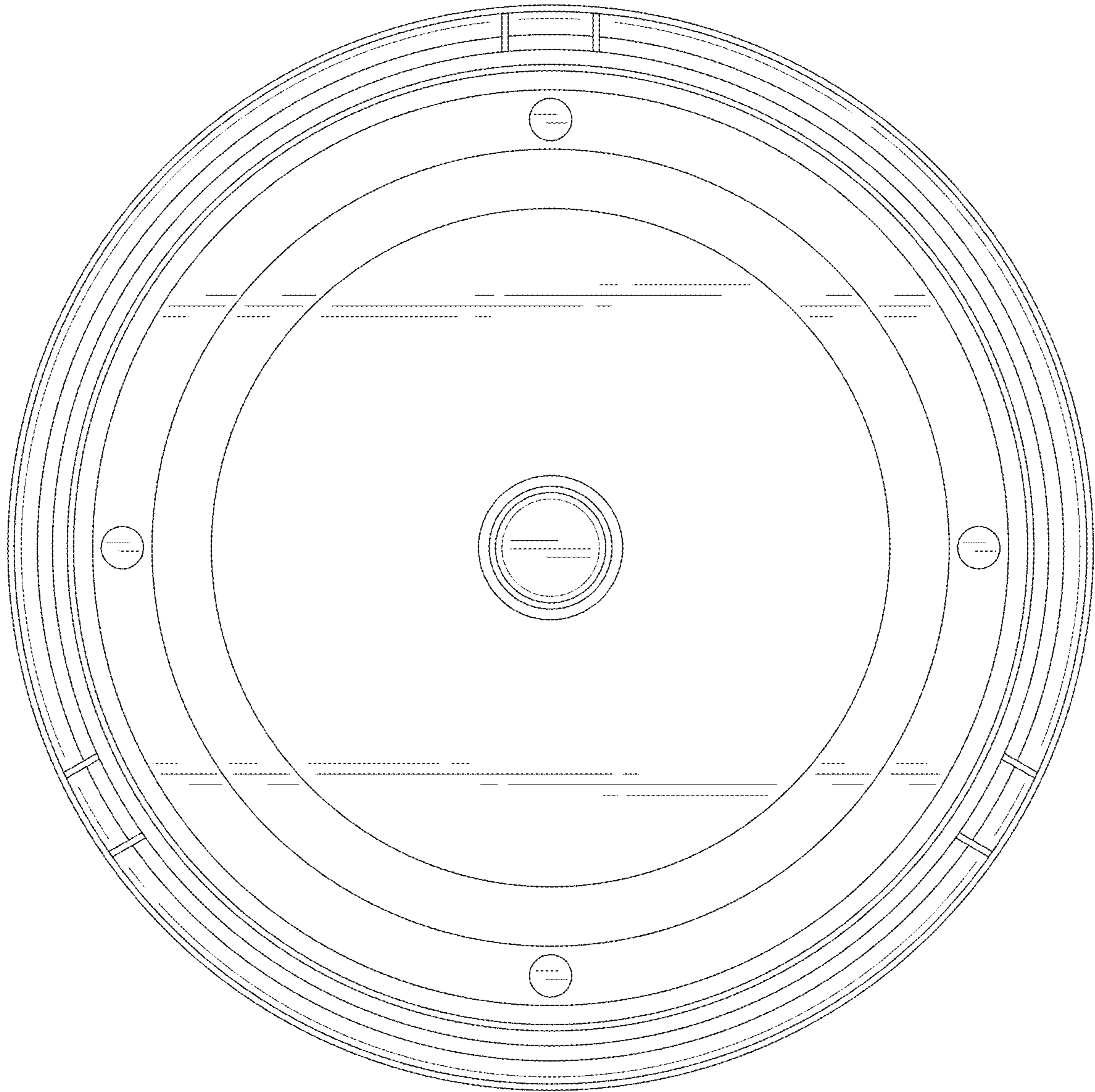


FIG. 8

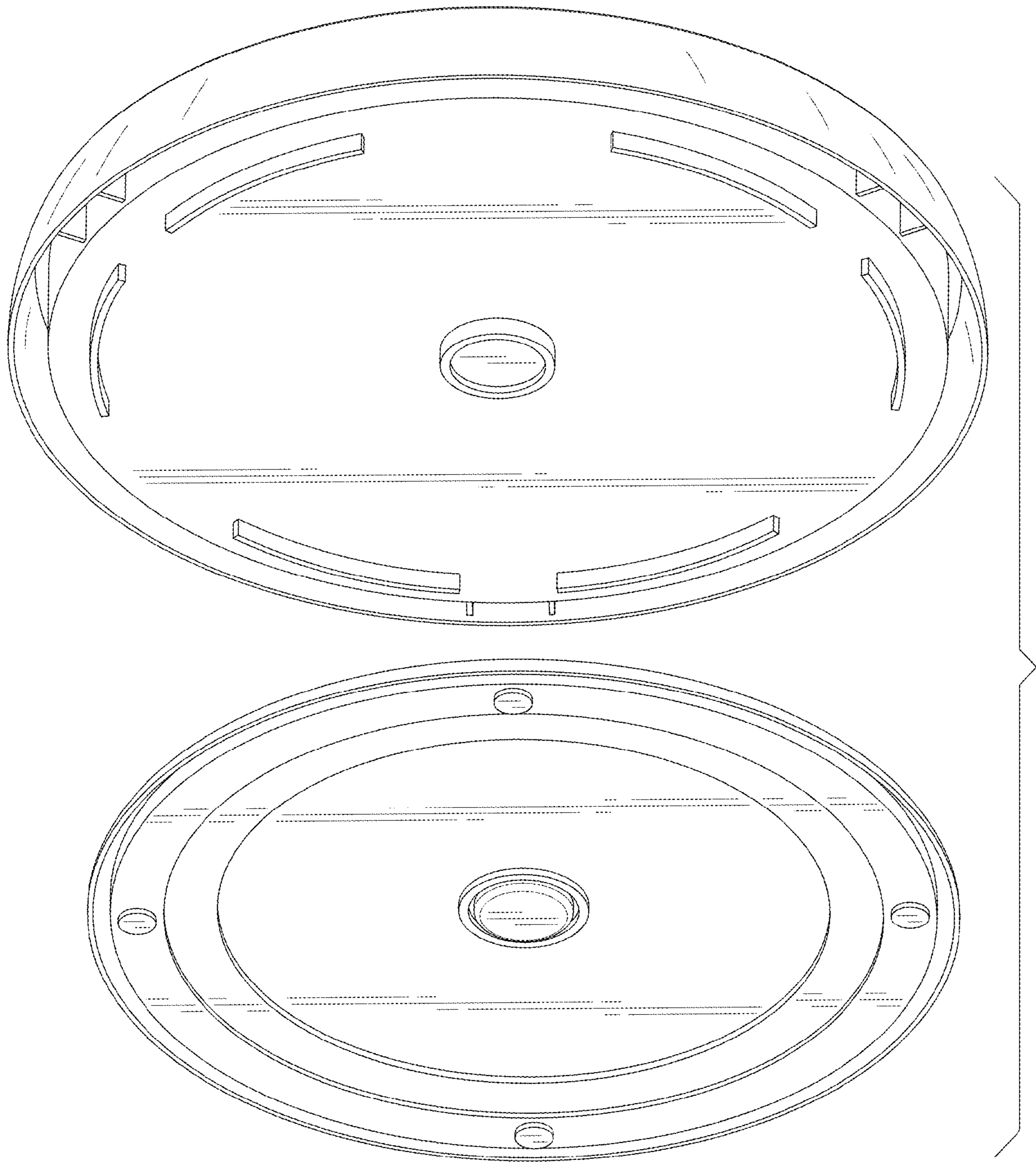


FIG. 9