



US00D983604S

(12) **United States Design Patent**
Sabounjian et al.

(10) **Patent No.:** **US D983,604 S**

(45) **Date of Patent:** **** Apr. 18, 2023**

(54) **MESH TURNTABLE**

(71) Applicants: **Azad Sabounjian**, Irvine, CA (US);
Sam C. Sabounjian, Irvine, CA (US)

(72) Inventors: **Azad Sabounjian**, Irvine, CA (US);
Sam C. Sabounjian, Irvine, CA (US)

(**) Term: **15 Years**

(21) Appl. No.: **29/759,215**

(22) Filed: **Nov. 20, 2020**

(51) **LOC (14) Cl.** **07-01**

(52) **U.S. Cl.**
USPC **D7/501**

(58) **Field of Classification Search**
USPC D7/501, 500, 553.6, 554.1, 590, 600.2;
211/74, 133.4, 131.1; D6/691, 349, 685,
D6/406.6; 40/377
CPC A47J 47/16; A47B 49/004
See application file for complete search history.

(56) **References Cited**

U.S. PATENT DOCUMENTS

D35,012 S *	8/1901	Childers	D6/677.3
D163,025 S *	4/1951	Chudner	D7/501
D191,812 S *	11/1961	Tirlet	211/128.1
D364,057 S *	11/1995	Bowman	D6/705.7
D465,350 S *	11/2002	Byrne	D6/407
7,213,535 B2 *	5/2007	Schmidt	A01K 1/0114
				119/161
D561,539 S *	2/2008	Snider	D7/600.4
D656,758 S *	4/2012	Snider	D6/677.2

D682,037 S *	5/2013	Cloutier	D7/554.2
D737,103 S *	8/2015	Cloutier	D7/554.2
D761,621 S *	7/2016	Hsu	D7/501
D795,311 S *	8/2017	Kraemer	D15/89
D939,255 S *	12/2021	Greenwood	D6/678
D939,276 S *	12/2021	Greenwood	D7/501
D957,881 S *	7/2022	McBride	D7/501
2005/0199159 A1 *	9/2005	Searer	A47B 49/004
				108/94

* cited by examiner

Primary Examiner — Cynthia R Underwood

(74) *Attorney, Agent, or Firm* — Stetina Brunda Garred & Brucker

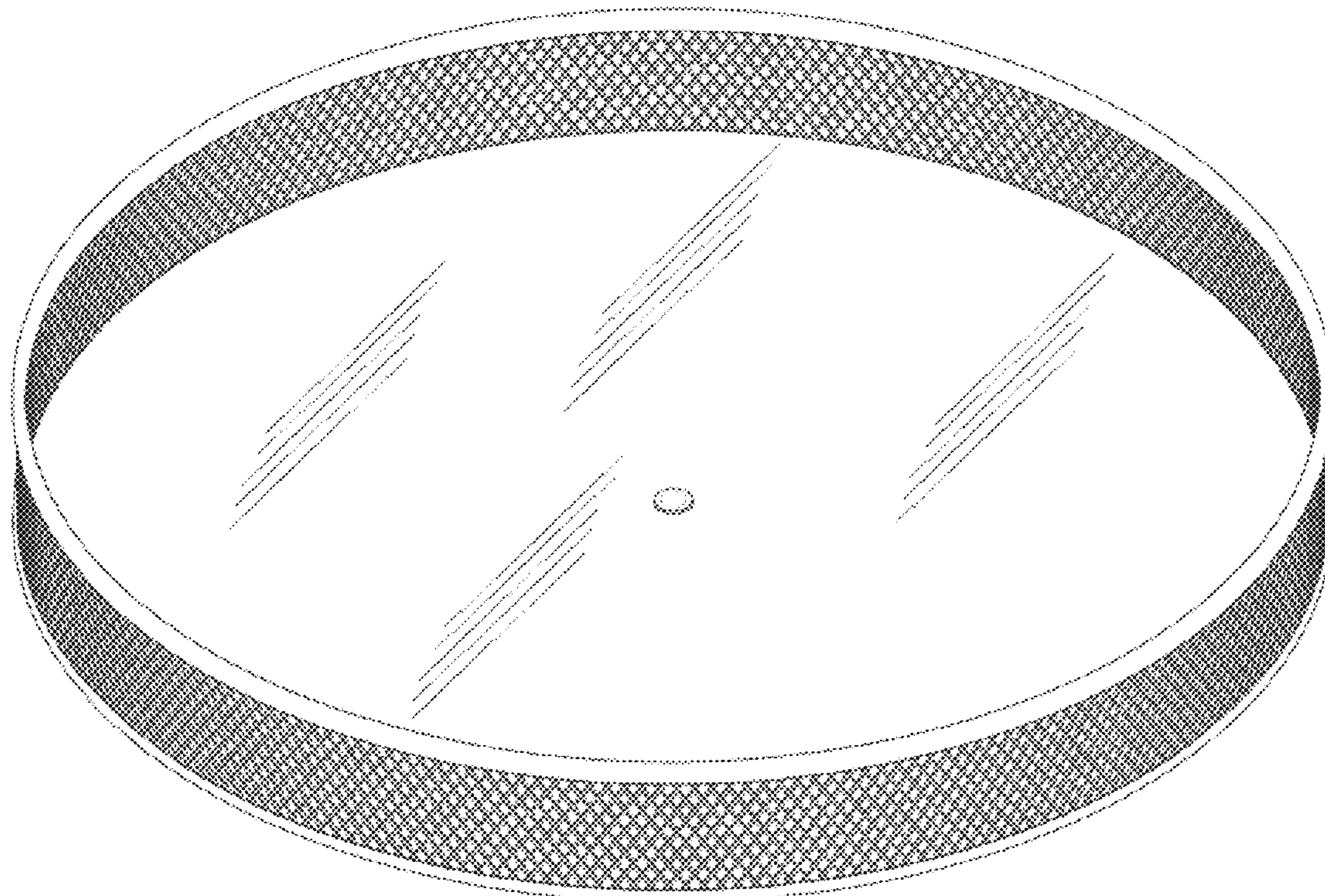
(57) **CLAIM**

The ornamental design for a mesh turntable, as shown and described.

DESCRIPTION

FIG. 1 is a top perspective view of a mesh turntable; FIG. 2 is a front view of the mesh turntable of FIG. 1; FIG. 3 is a back view of the mesh turntable of FIG. 1; FIG. 4 is a top view of the mesh turntable of FIG. 1; FIG. 5 is a bottom view of the mesh turntable of FIG. 1; FIG. 6 is a left side view of the mesh turntable of FIG. 1; and, FIG. 7 is a right side view of the mesh turntable of FIG. 1. The broken lines in FIG. 5 depict portions of the structure that form no part of the claim. The boundary line is a boundary of the claim.

1 Claim, 5 Drawing Sheets



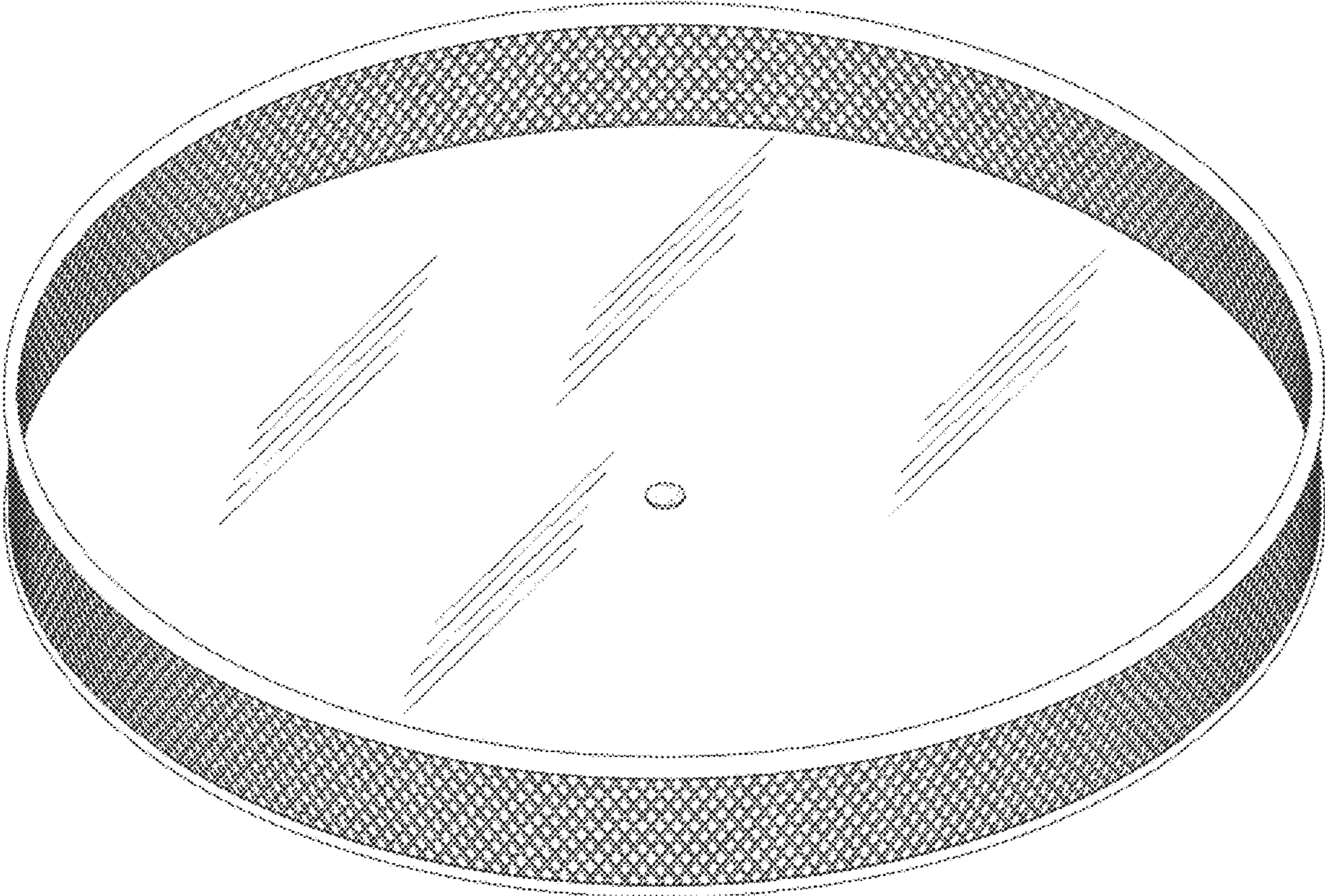


FIG. 1

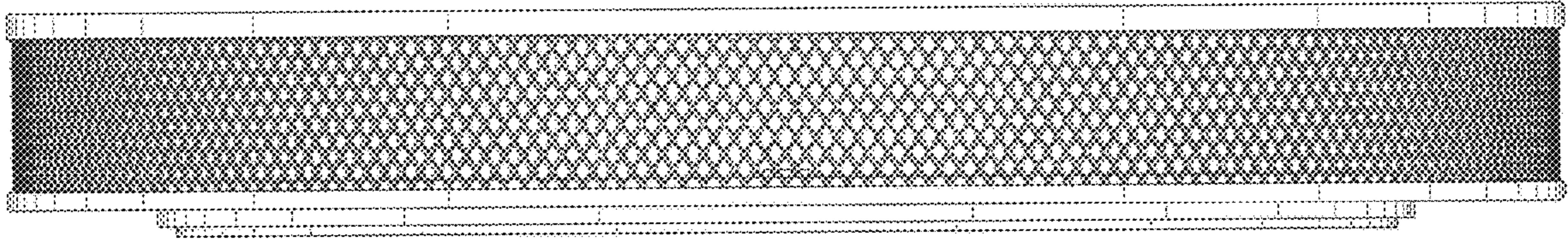


FIG. 2

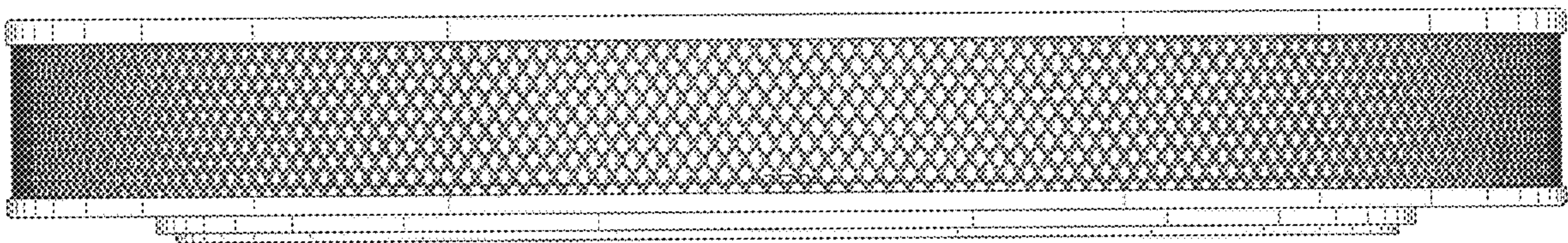


FIG. 3



FIG. 4

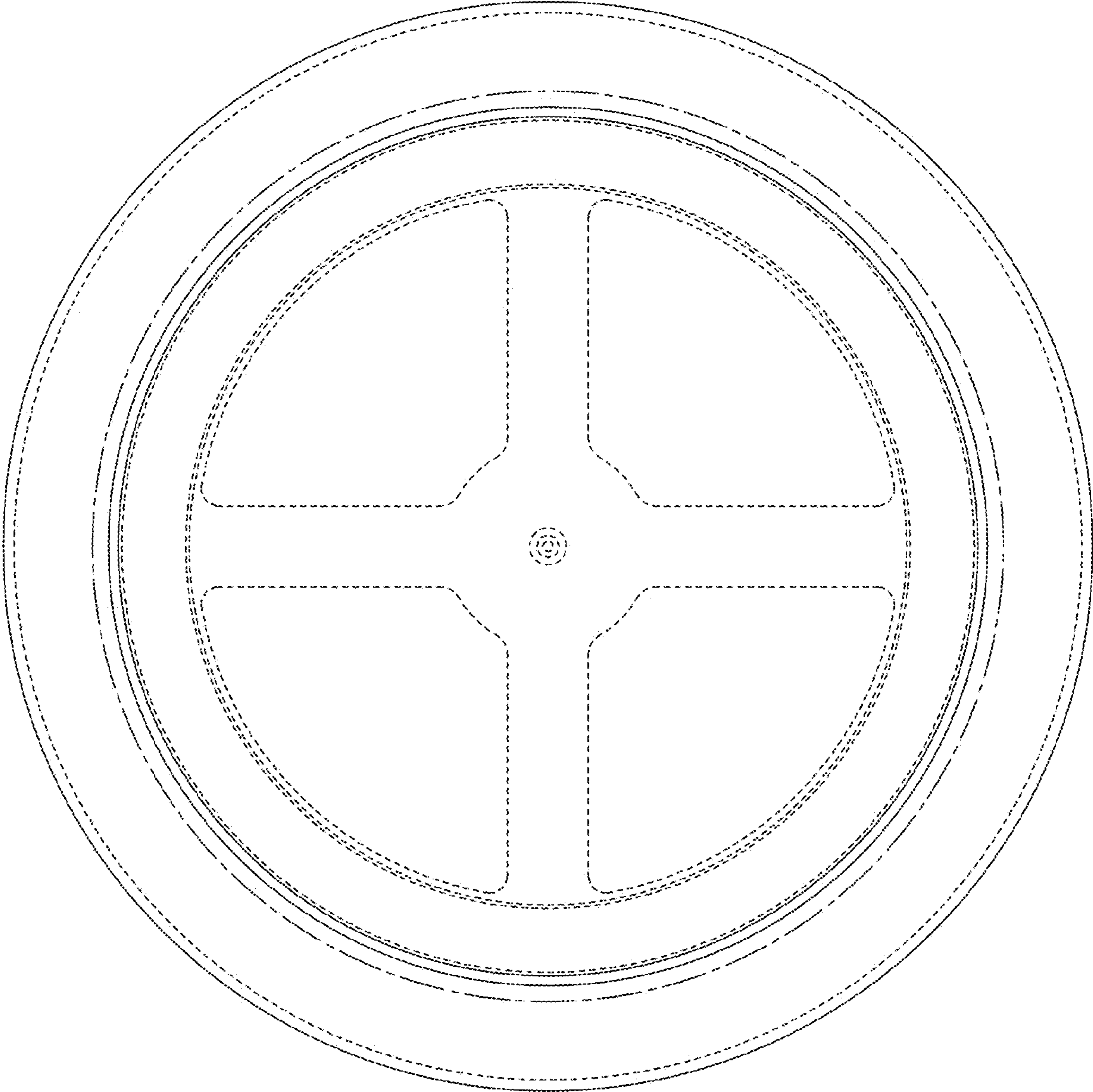


FIG. 5

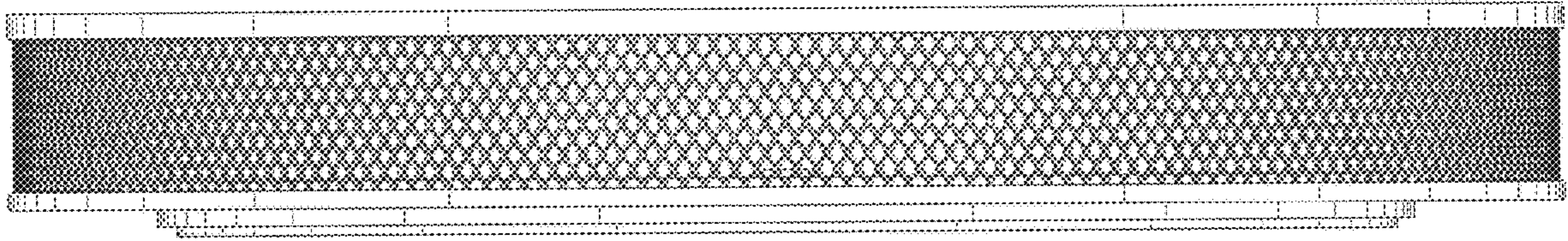


FIG. 6

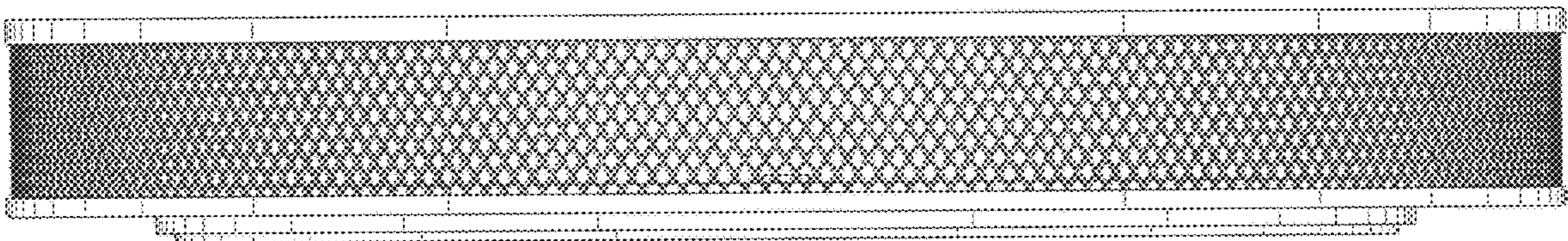


FIG. 7