



US00D983603S

(12) **United States Design Patent** (10) **Patent No.:** **US D983,603 S**  
**Shi et al.** (45) **Date of Patent:** **\*\* Apr. 18, 2023**

(54) **BLADE FOR A MICRO PUREE MACHINE**

(71) Applicant: **SharkNinja Operating LLC**,  
Needham, MA (US)

(72) Inventors: **Ming Li Shi**, Dong Guan (CN); **Xu Sheng Deng**, HuiZhou (CN); **Pushan He**, Shenzhen (CN); **Ping Chu**, Kowloon (HK)

(73) Assignee: **SHARKNINJA OPERATING LLC**,  
Needham, MA (US)

(\*\*) Term: **15 Years**

(21) Appl. No.: **29/814,197**

(22) Filed: **Nov. 4, 2021**

**Related U.S. Application Data**

(63) Continuation-in-part of application No. 17/139,567,  
filed on Dec. 31, 2020.

(51) **LOC (14) Cl.** ..... **31-00**

(52) **U.S. Cl.**  
USPC ..... **D7/412**; D7/376; D7/378; D7/383

(58) **Field of Classification Search**  
USPC ..... D7/372, 376-386, 401.2, 412, 665-666,  
D7/669, 678-679, 693-694; D15/138;  
D24/220

CPC ..... A01F 2015/07; A01F 2015/077; A01F  
2015/0775; A23N 1/00; A23N 1/02; A47J  
19/00; A47J 19/005; A47J 19/02; A47J  
19/025; A47J 19/04; A47J 19/06; A47J  
42/32; A47J 42/34; A47J 42/36; A47J  
43/044; A47J 43/0722; A47J 43/25; A47J  
43/255; A47J 36/32; B01F 7/26; B01F  
7/28; B01F 11/0082; B01F 13/04; B01F  
27/112; B01F 27/113; B02C 13/00; B02C  
13/02; B02C 13/10; B02C 18/06; B02C  
18/26;

(Continued)

(56) **References Cited**

**U.S. PATENT DOCUMENTS**

1,428,704 A 9/1922 Petri  
1,473,066 A \* 11/1923 Wells ..... F01P 5/02  
416/243

(Continued)

**FOREIGN PATENT DOCUMENTS**

BE 409469 6/1935  
BE 409469 A 6/1935

(Continued)

**OTHER PUBLICATIONS**

International Search Report and Written Opinion dated Jul. 1, 2022,  
for related Application No. PCT/US2021/064383.

(Continued)

*Primary Examiner* — Ricky Pham

(74) *Attorney, Agent, or Firm* — Burns & Levinson, LLP;  
Joseph M. Maraia

(57) **CLAIM**

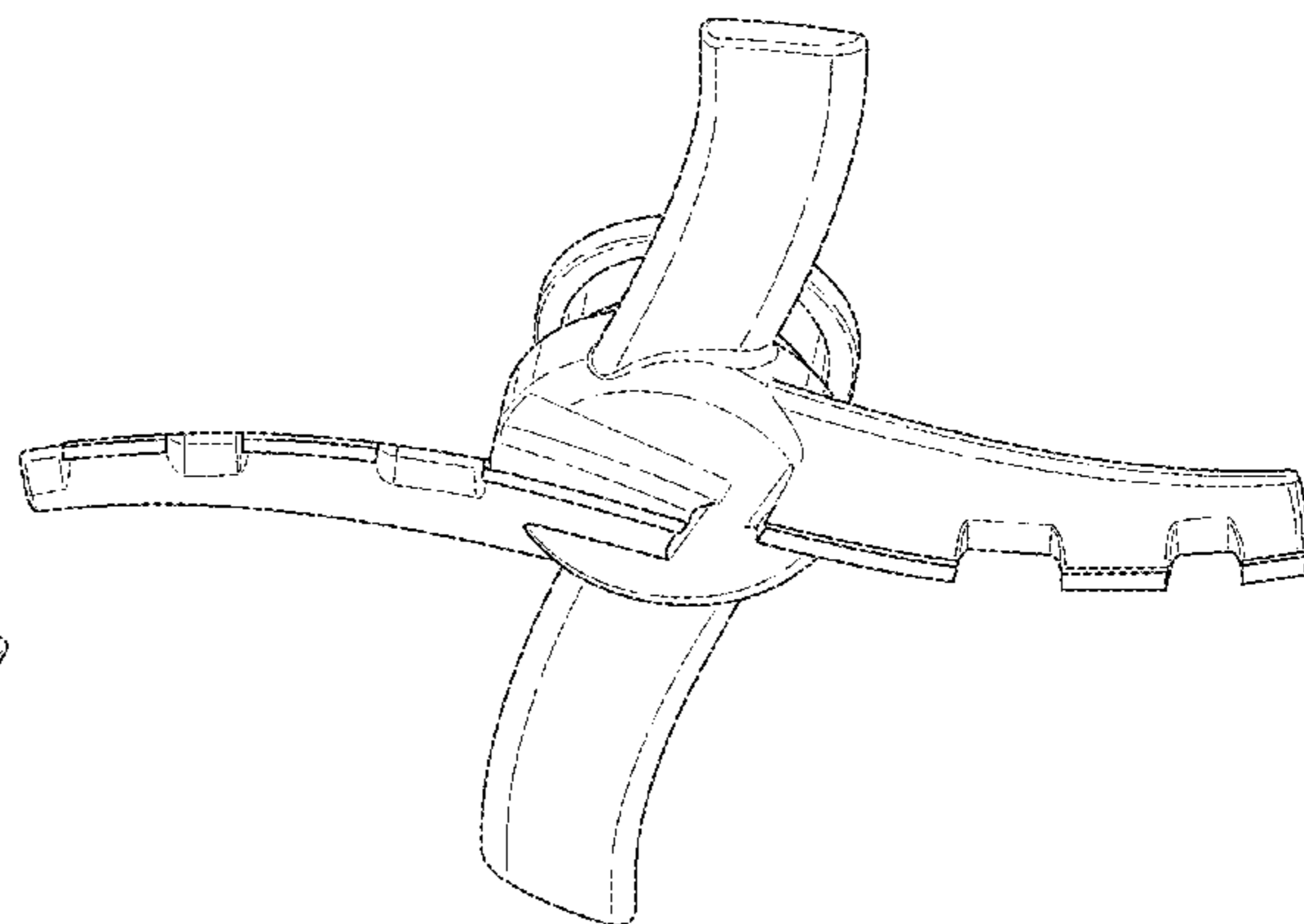
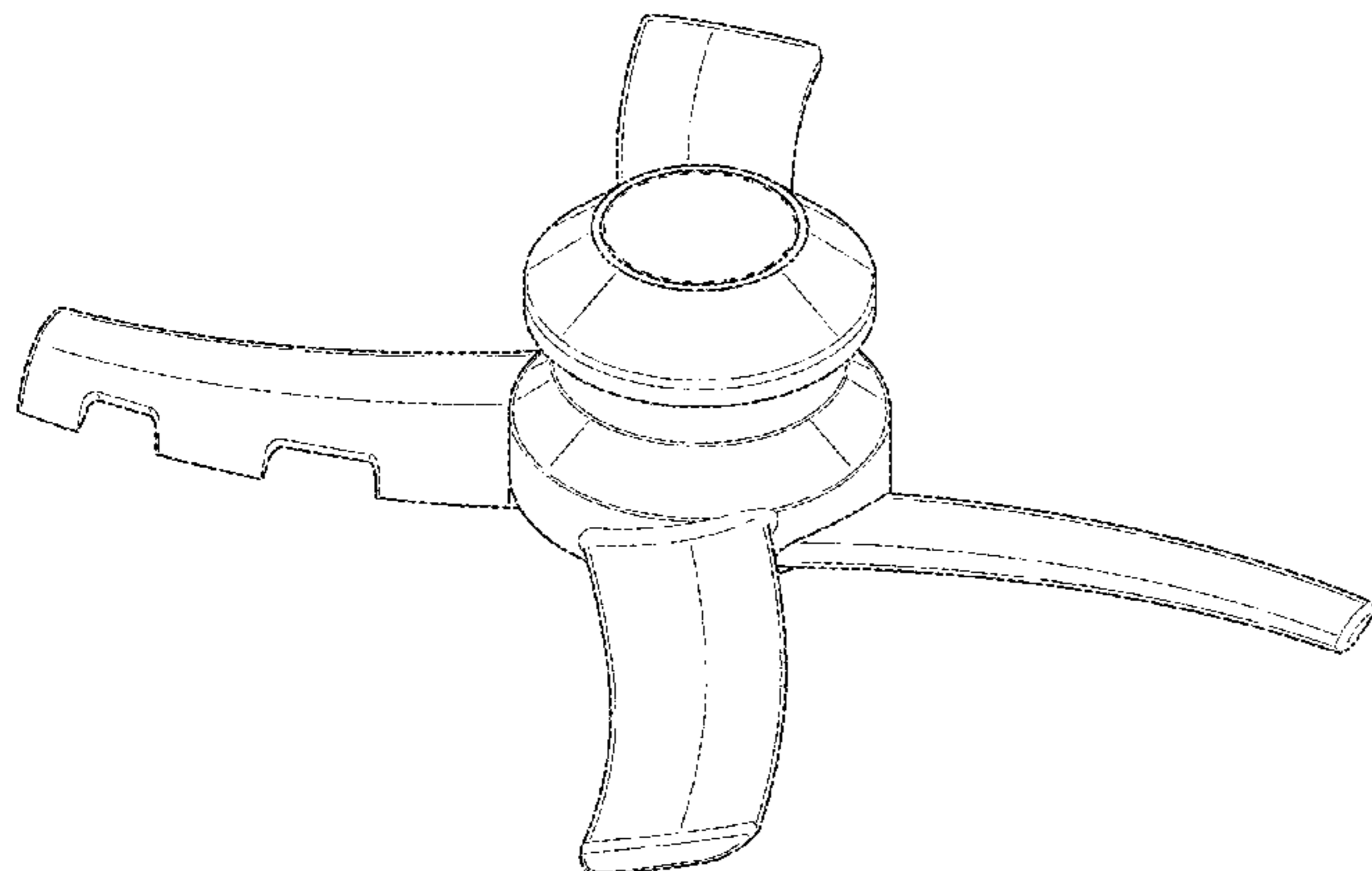
The ornamental design for a blade for a micro puree machine, as shown and described.

**DESCRIPTION**

FIG. 1 is a top/front/left side perspective view of a blade for a micro puree machine, showing our new design;  
FIG. 2 is a bottom/rear/right side perspective view thereof;  
FIG. 3 is a front view thereof;  
FIG. 4 is a rear view thereof;  
FIG. 5 is a left side view thereof;  
FIG. 6 is a right side view thereof;  
FIG. 7 is a top view thereof; and,  
FIG. 8 is a bottom view thereof.

The broken lines in the drawings depict portions of the blade that form no part of the claimed design.

**1 Claim, 8 Drawing Sheets**



(58) **Field of Classification Search**  
 CPC ... B02C 18/2291; B02C 18/30; B02C 18/301;  
 B02C 18/302; B02C 18/304; B02C  
 18/305; B02C 25/00; B02C 2002/00;  
 B02C 2013/00; B02C 2013/14; B02C  
 2013/145; B02C 2013/18; B02C  
 2013/1807; B02C 2013/1857; B02C  
 2013/1864; B30B 9/00; B30B 9/16; B30B  
 9/18; B30B 9/20; B30B 9/26; B30B  
 9/205; B30B 9/207; F01P 5/02  
 See application file for complete search history.

6,945,067	B2	9/2005	Petersen
6,966,691	B2	11/2005	Brunswick et al.
6,991,363	B2	1/2006	Brunswick et al.
7,014,354	B2	3/2006	Donthnier et al.
7,017,783	B1	3/2006	Hunter et al.
7,028,607	B2	4/2006	Zweben
7,047,758	B2	5/2006	Ross
7,048,217	B2	5/2006	Dickson, Jr. et al.
7,081,265	B2	7/2006	Wanat
7,266,952	B2	9/2007	Ross et al.
7,275,386	B2	10/2007	Cigolini
7,325,413	B2	2/2008	Ball
7,384,187	B2	6/2008	Blackburn et al.
7,395,751	B2	7/2008	Liu
7,412,845	B2	8/2008	Boulos et al.
7,448,516	B2	11/2008	Davis et al.
7,451,613	B2	11/2008	Barraclough et al.
7,455,868	B2	11/2008	Kennedy et al.
7,572,472	B2	8/2009	Hermansen
7,573,496	B2	8/2009	Okamura
7,596,963	B2	10/2009	Rasmussen
7,621,669	B1	11/2009	Gerber
7,647,782	B2	1/2010	Bucceri
7,665,398	B2	2/2010	Gerber
7,690,835	B2	4/2010	Schnipke et al.
7,712,321	B2	5/2010	Kadyk
7,861,890	B2	1/2011	McGill
7,878,021	B2	2/2011	Perrier et al.
7,896,038	B2	3/2011	Jones et al.
7,950,843	B2	5/2011	Blackburn et al.
8,038,339	B2	10/2011	Jejcic
8,109,113	B2	2/2012	Takata et al.
8,177,418	B2	5/2012	Edwards et al.
8,297,182	B2	10/2012	Cocchi et al.
8,316,761	B2	11/2012	Bravo et al.
8,322,274	B2	12/2012	Jejcic
8,479,531	B2	7/2013	Maeda et al.
8,641,265	B2	2/2014	Bravo
D702,487	S	4/2014	Gillette
8,746,004	B2	6/2014	Jejcic
D708,902	S *	7/2014	Audette ..... D7/378
8,763,420	B2	7/2014	Eichler
8,778,436	B2	7/2014	Waletzko et al.
8,807,469	B2	8/2014	Sung
8,807,823	B2	8/2014	Williams
8,827,541	B2	9/2014	Bravo
8,845,183	B2	9/2014	Kozlowski et al.
8,857,197	B1	10/2014	Fisher et al.
8,920,019	B2	12/2014	Kozlowski et al.
8,944,289	B2	2/2015	Cocchi et al.
9,016,926	B2	4/2015	Cocchi et al.
9,155,322	B2	10/2015	Ricco et al.
9,186,636	B2	11/2015	Dong et al.
D746,883	S *	1/2016	Strömmer ..... D15/138
9,241,501	B2	1/2016	Broadbent et al.
9,301,537	B2	4/2016	Cocchi et al.
9,320,290	B2	4/2016	Cocchi et al.
9,326,530	B2	5/2016	Ugolini
9,326,531	B1	5/2016	Reich et al.
9,339,049	B2	5/2016	Jejcic
9,375,689	B2	6/2016	Bravo
9,393,533	B2	7/2016	Little et al.
9,402,408	B2	8/2016	Cocchi et al.
D767,332	S *	9/2016	Strömmer ..... D7/378
9,433,230	B1	9/2016	Fisher et al.
9,579,615	B2	2/2017	Farrell
9,591,865	B2	3/2017	Ravji et al.
9,591,871	B2	3/2017	Ugolini
9,635,874	B2	5/2017	Bruckner et al.
9,763,462	B2	9/2017	He et al.
9,816,748	B2	11/2017	Akan et al.
9,833,109	B2	12/2017	Farrell et al.
9,854,820	B2	1/2018	Cocchi et al.
9,883,685	B2	2/2018	Bunker et al.
9,918,484	B2	3/2018	Ekenhorst et al.
9,968,113	B2	5/2018	Lazzarini et al.
9,993,016	B1	6/2018	Dyer
10,004,250	B2	6/2018	Ugolini
10,028,618	B1	7/2018	Benson

(56) **References Cited**  
 U.S. PATENT DOCUMENTS

1,579,355	A	4/1926	Greenawalt
1,583,591	A	5/1926	Greenawalt
1,781,321	A	11/1930	Dehuff
1,924,991	A	8/1933	Harvie
2,026,240	A	12/1935	Luxmore
2,157,683	A	5/1939	Vollrath
2,181,079	A	11/1939	Dehuff
2,251,903	A	8/1941	Anstice et al.
2,457,533	A	12/1948	Dehuff
2,609,189	A	9/1952	Dering
2,798,701	A	7/1957	Collura
2,811,339	A	10/1957	Osborne et al.
3,505,075	A	4/1970	Black
4,173,925	A	11/1979	Leon
4,547,076	A	10/1985	Maurer
4,601,583	A	7/1986	Amorese
4,637,221	A	1/1987	Levine
4,898,474	A	2/1990	Lipson
5,090,816	A	2/1992	Socha
5,297,938	A *	3/1994	Von Essen ..... B01F 27/113 416/243
5,383,726	A	1/1995	Lanaro
5,653,535	A	8/1997	Xie et al.
5,690,427	A	11/1997	Jennings
5,803,377	A	9/1998	Farrell
5,836,687	A	11/1998	Khalid
5,860,738	A	1/1999	Brinkman
5,908,242	A	6/1999	St. John
5,934,802	A	8/1999	Xie
6,213,007	B1	4/2001	Lande
6,250,794	B1	6/2001	Huang
6,298,668	B1	10/2001	Lo
6,301,919	B1	10/2001	Blaustein et al.
6,302,014	B1	10/2001	Kuan
6,332,333	B1	12/2001	Lee
6,334,705	B1 *	1/2002	Weetman ..... B01F 27/113 366/330.1
6,370,892	B1	4/2002	Ross
6,389,962	B1	5/2002	Han et al.
6,438,987	B1	8/2002	Pahl
6,474,862	B2	11/2002	Farrell
6,494,610	B1	12/2002	Brunswick
6,510,704	B1	1/2003	Russell
6,510,890	B1	1/2003	Paskach et al.
6,553,779	B1	4/2003	Boyer et al.
6,599,007	B2	7/2003	Ryoo et al.
6,651,849	B2	11/2003	Schroeder et al.
6,698,228	B2	3/2004	Kateman et al.
6,715,706	B1	4/2004	Planca et al.
6,730,348	B2	5/2004	Miller et al.
6,735,967	B1	5/2004	Bischel et al.
6,772,675	B2	8/2004	Ervin
6,817,203	B1	11/2004	Rischewski
6,817,749	B2	11/2004	Saunders et al.
6,824,303	B2	11/2004	Huang
6,848,356	B1	2/2005	Mueller
6,863,916	B2	3/2005	Henriksen et al.
6,866,414	B2	3/2005	Kupidowski
6,892,554	B2	5/2005	Bonato et al.
6,907,743	B2	6/2005	Cocchi et al.
6,923,010	B2	8/2005	Small et al.

(56)

References Cited

U.S. PATENT DOCUMENTS

10,039,298 B2	8/2018	Noth et al.	2008/0282723 A1	11/2008	Perrier
10,111,447 B2	10/2018	Noth et al.	2009/0016150 A1	1/2009	Mimran
10,123,551 B2	11/2018	Beth Halachmi	2009/0053375 A1	2/2009	Johnson
10,123,553 B2	11/2018	Cocchi et al.	2009/0133429 A1	5/2009	Petersen
10,206,414 B2	2/2019	Cocchi et al.	2009/0142466 A1	6/2009	Robinson et al.
10,251,410 B2	4/2019	Cocchi et al.	2009/0280214 A1	11/2009	Kim et al.
10,285,417 B2	5/2019	Cocchi et al.	2010/0246320 A1*	9/2010	Sands ..... A47J 43/0722 366/246
10,306,905 B2	6/2019	Cocchi	2011/0174654 A1	7/2011	Krasznai
10,321,700 B2	6/2019	Cocchi et al.	2012/0080549 A1*	4/2012	Rukavina ..... B01F 27/112 241/282.1
10,375,973 B2	8/2019	Noth et al.	2012/0144676 A1	6/2012	Davidian et al.
D858,194 S	9/2019	Kiser	2012/0170404 A1	7/2012	Drees et al.
10,405,562 B2	9/2019	Cocchi et al.	2013/0340456 A1	12/2013	Hoare et al.
10,443,917 B2	10/2019	Kim	2014/0007779 A1	1/2014	Hoare et al.
10,463,059 B2	11/2019	Bush	2014/0130538 A1	5/2014	Bond et al.
10,477,879 B2	11/2019	Cocchi et al.	2014/0199448 A1	7/2014	Shalev
10,512,276 B2	12/2019	Popov et al.	2014/0332612 A1	11/2014	Liao et al.
10,542,766 B2	1/2020	Cocchi et al.	2015/0044344 A1	2/2015	Choi
10,561,158 B2	2/2020	Cocchi et al.	2015/0097063 A1	4/2015	Hsu
10,568,336 B2	2/2020	Choudhary et al.	2015/0245637 A1	9/2015	Bocchini
10,588,330 B2	3/2020	Cocchi et al.	2015/0257410 A1	9/2015	Baragiola et al.
10,602,755 B2	3/2020	Cocchi et al.	2015/0313414 A1	11/2015	Gerard
10,617,130 B2	4/2020	Cocchi et al.	2015/0342413 A1	12/2015	Joao et al.
10,617,131 B2	4/2020	Lazzarini et al.	2016/0016133 A1	1/2016	Merritt et al.
10,624,363 B2	4/2020	Rizvi et al.	2016/0069604 A1	3/2016	Oh
10,660,348 B2	5/2020	Cheung	2016/0158719 A1	6/2016	Gushwa et al.
10,660,349 B2	5/2020	Cocchi et al.	2016/0270424 A1	9/2016	Noth et al.
10,674,742 B2	6/2020	Abu-Ali	2017/0042179 A1	2/2017	Thomas
10,674,743 B2	6/2020	Ugolini	2017/0112326 A1	4/2017	Ochoa et al.
10,674,744 B2	6/2020	Cocchi et al.	2017/0188600 A1	7/2017	Semo Scharfman et al.
10,694,895 B2	6/2020	Zakowski	2017/0209000 A1	7/2017	Dickson et al.
D891,634 S *	7/2020	Skakoon ..... D24/220	2017/0215456 A1	8/2017	Noth et al.
10,701,953 B2	7/2020	Merlini	2017/0215647 A1	8/2017	Zakowski
10,712,094 B2	7/2020	Cocchi et al.	2017/0332843 A1	11/2017	Obersteiner
10,736,336 B2	8/2020	Cocchi et al.	2017/0360060 A1	12/2017	De'Longhi et al.
10,743,561 B2	8/2020	Smith	2017/0367370 A1	12/2017	Frisque et al.
10,785,992 B2	9/2020	Newton et al.	2018/0058742 A1	3/2018	Kim
10,905,134 B2	2/2021	Cocchi et al.	2018/0064131 A1	3/2018	Noth
10,926,233 B2	2/2021	Goodson	2018/0064132 A1	3/2018	Noth
10,945,447 B2	3/2021	Cocchi et al.	2018/0084800 A1	3/2018	Noth
10,952,455 B2	3/2021	Cocchi et al.	2018/0110238 A1	4/2018	Mohammed et al.
10,952,456 B2	3/2021	Cocchi et al.	2018/0263256 A1	9/2018	De'Longhi et al.
10,973,240 B1	4/2021	Fonte	2019/0075815 A1	3/2019	Cocchi et al.
10,993,458 B2	5/2021	Cocchi et al.	2019/0110496 A1	4/2019	Cocchi et al.
11,019,832 B2	6/2021	Dong	2019/0269148 A1	9/2019	Ait Bouziad et al.
11,019,834 B2	6/2021	Bruckner et al.	2019/0287102 A1	9/2019	Cocchi et al.
11,021,319 B2	6/2021	Fonte	2019/0313855 A1	10/2019	Ambrose et al.
11,154,163 B1	10/2021	He	2019/0335786 A1	11/2019	Cocchi et al.
D934,632 S *	11/2021	Gross ..... D7/412	2019/0337791 A1	11/2019	Bush et al.
11,202,999 B1	12/2021	Harrison	2019/0343145 A1	11/2019	Cocchi et al.
11,311,847 B2	4/2022	Goldsmith et al.	2019/0380358 A1	12/2019	Cocchi et al.
11,324,358 B1	5/2022	O'Loughlin	2019/0390879 A1	12/2019	Cocchi et al.
11,503,959 B2	11/2022	Proulx et al.	2020/0000120 A1	1/2020	Cocchi et al.
11,540,669 B2 *	1/2023	O'Loughlin ..... A47J 43/044	2020/0120951 A1	4/2020	Wang
2002/0093877 A1	7/2002	Brunswick	2020/0178560 A1	6/2020	Gerber et al.
2003/0058734 A1	3/2003	Poitras	2020/0196626 A1	6/2020	Cocchi et al.
2003/0192325 A1	10/2003	Cocchi et al.	2020/0196627 A1	6/2020	Cocchi et al.
2004/0120213 A1	6/2004	Short	2020/0221726 A1	7/2020	Cocchi et al.
2005/0141340 A1	6/2005	Donthnier et al.	2020/0238236 A1	7/2020	Branson, III
2005/0170054 A1	8/2005	Czark et al.	2020/0245638 A1	8/2020	Crema et al.
2005/0183426 A1	8/2005	Learned	2020/0253235 A1	8/2020	Cocchi et al.
2005/0194484 A1	9/2005	Starr	2020/0315218 A1	10/2020	Cocchi et al.
2005/0207273 A1	9/2005	Newman	2020/0352193 A1	11/2020	Cocchi et al.
2005/0249032 A1	11/2005	Heinhold et al.	2020/0397017 A1	12/2020	Cocchi et al.
2006/0062078 A1	3/2006	Jejeic	2021/0000133 A1	1/2021	Meldrum et al.
2006/0158959 A1	7/2006	Huang	2021/0000298 A1	1/2021	Ambrose et al.
2006/0171248 A1	8/2006	Chou	2021/0022364 A1	1/2021	Meldrum et al.
2006/0263490 A1	11/2006	Wall et al.	2021/0022365 A1	1/2021	Manz
2007/0095961 A1	5/2007	Lin	2021/0106958 A1	4/2021	Medici
2007/0295750 A1	12/2007	Cocchi et al.	2021/0112825 A1	4/2021	Bellomare et al.
2007/0297282 A1	12/2007	Procuranti	2021/0274974 A1	9/2021	Abraham
2008/0087026 A1	4/2008	Allin et al.	2021/0330129 A1	10/2021	Swidler
2008/0219090 A1	9/2008	Heinhold et al.	2021/0392918 A1	12/2021	Anand et al.
2008/0223965 A1	9/2008	Obersteiner			
2008/0257173 A1	10/2008	Radi			
2008/0273419 A1	11/2008	Cocchi et al.			

(56)

References Cited

U.S. PATENT DOCUMENTS

2022/0030906 A1 2/2022 Springer et al.  
 2023/0010316 A1\* 1/2023 White ..... A47J 36/32

FOREIGN PATENT DOCUMENTS

CA 3033891 2/2018  
 CA 3033891 A1 2/2018  
 CH 685321 6/1995  
 CN 2418689 Y 2/2001  
 CN 2476962 Y 2/2002  
 CN 2478364 Y 2/2002  
 CN 2502525 Y 7/2002  
 CN 2515961 Y 10/2002  
 CN 2518335 Y 10/2002  
 CN 2521914 Y 11/2002  
 CN 2560215 Y 7/2003  
 CN 2576011 Y 10/2003  
 CN 2587189 Y 11/2003  
 CN 2590387 Y 12/2003  
 CN 2598358 Y 1/2004  
 CN 2609355 Y 4/2004  
 CN 2629440 Y 8/2004  
 CN 2660908 Y 12/2004  
 CN 2666176 Y 12/2004  
 CN 2667901 Y 1/2005  
 CN 2669617 Y 1/2005  
 CN 1579194 A 2/2005  
 CN 2719037 Y 8/2005  
 CN 2733910 Y 10/2005  
 CN 2762561 Y 3/2006  
 CN 2772248 Y 4/2006  
 CN 2785380 Y 6/2006  
 CN 2802990 Y 8/2006  
 CN 2819134 Y 9/2006  
 CN 1295977 C 1/2007  
 CN 2855096 Y 1/2007  
 CN 2907262 Y 6/2007  
 CN 2935824 Y 8/2007  
 CN 100342794 C 10/2007  
 CN 200959807 10/2007  
 CN 201004979 Y 1/2008  
 CN 201015400 Y 2/2008  
 CN 201015402 Y 2/2008  
 CN 201156957 Y 12/2008  
 CN 201174951 Y 1/2009  
 CN 201345883 Y 11/2009  
 CN 201352936 Y 12/2009  
 CN 201352937 Y 12/2009  
 CN 201388483 Y 1/2010  
 CN 201388484 Y 1/2010  
 CN 201393518 Y 2/2010  
 CN 201414376 Y 3/2010  
 CN 101744084 A 6/2010  
 CN 201523634 U 7/2010  
 CN 101810239 A 8/2010  
 CN 201557512 8/2010  
 CN 201726817 U 2/2011  
 CN 1788597 B 4/2011  
 CN 101138379 B 5/2011  
 CN 201839768 U 5/2011  
 CN 201888213 U 7/2011  
 CN 201905193 U 7/2011  
 CN 102160593 A 8/2011  
 CN 201919605 U 8/2011  
 CN 201928933 U 8/2011  
 CN 201986636 U 9/2011  
 CN 201995529 U 10/2011  
 CN 202050862 U 11/2011  
 CN 202112243 U 1/2012  
 CN 202172781 U 3/2012  
 CN 102138620 B 7/2012  
 CN 202406999 U 9/2012  
 CN 202436050 U 9/2012  
 CN 202456290 U 10/2012  
 CN 101605464 B 11/2012

CN 101574112 B 12/2012  
 CN 102144705 B 12/2012  
 CN 202635510 U 1/2013  
 CN 202697631 U 1/2013  
 CN 202722421 U 2/2013  
 CN 202722422 U 2/2013  
 CN 202773992 U 3/2013  
 CN 202819518 U 3/2013  
 CN 103082077 A 5/2013  
 CN 202931999 U 5/2013  
 CN 101889623 B 6/2013  
 CN 202958664 U 6/2013  
 CN 203058219 U 7/2013  
 CN 203087447 U 7/2013  
 CN 103262936 A 8/2013  
 CN 203105529 U 8/2013  
 CN 203152409 U 8/2013  
 CN 203207110 U 9/2013  
 CN 203233980 U 10/2013  
 CN 103404686 A 11/2013  
 CN 203262198 U 11/2013  
 CN 203279785 U 11/2013  
 CN 203279787 U 11/2013  
 CN 203290182 U 11/2013  
 CN 203407469 U 1/2014  
 CN 203467595 U 3/2014  
 CN 102048015 B 4/2014  
 CN 203534013 U 4/2014  
 CN 203563639 U 4/2014  
 CN 203590909 U 5/2014  
 CN 203597340 U 5/2014  
 CN 102987048 B 6/2014  
 CN 203661940 U 6/2014  
 CN 203725214 U 7/2014  
 CN 203744631 U 7/2014  
 CN 203748570 U 8/2014  
 CN 203748571 U 8/2014  
 CN 203748572 U 8/2014  
 CN 203748573 U 8/2014  
 CN 203748574 U 8/2014  
 CN 103168908 B 9/2014  
 CN 203827994 U 9/2014  
 CN 103211076 B 10/2014  
 CN 104115987 A 10/2014  
 CN 203897199 U 10/2014  
 CN 102805194 B 12/2014  
 CN 203985911 U 12/2014  
 CN 204090940 U 1/2015  
 CN 204120763 U 1/2015  
 CN 204146242 U 2/2015  
 CN 103380848 B 3/2015  
 CN 204191506 U 3/2015  
 CN 204202291 U 3/2015  
 CN 204217795 U 3/2015  
 CN 204259745 U 4/2015  
 CN 204273127 U 4/2015  
 CN 104621328 A 5/2015  
 CN 204362865 U 6/2015  
 CN 204362866 U 6/2015  
 CN 103478391 B 7/2015  
 CN 204426583 U 7/2015  
 CN 204444075 U 7/2015  
 CN 204482918 U 7/2015  
 CN 104824327 A 8/2015  
 CN 204599206 U 9/2015  
 CN 204599207 U 9/2015  
 CN 204599208 U 9/2015  
 CN 204616962 U 9/2015  
 CN 104982632 A 10/2015  
 CN 204707918 U 10/2015  
 CN 105010708 A 11/2015  
 CN 204742478 U 11/2015  
 CN 204742479 U 11/2015  
 CN 204742480 U 11/2015  
 CN 204811833 U 12/2015  
 CN 204830618 U 12/2015  
 CN 204837840 U 12/2015  
 CN 204860999 U 12/2015  
 CN 204907789 U 12/2015

(56)

## References Cited

FOREIGN PATENT DOCUMENTS							
CN	204930249	U	1/2016	CN	108271912	A	7/2018
CN	204949372	U	1/2016	CN	207590022	U	7/2018
CN	204949373	U	1/2016	CN	207653496	U	7/2018
CN	105498590		4/2016	CN	207716705	U	8/2018
CN	105498590	A	4/2016	CN	207721134	U	8/2018
CN	205161783	U	4/2016	CN	108514044	A	9/2018
CN	205161784	U	4/2016	CN	207836682	U	9/2018
CN	205180269	U	4/2016	CN	207940303	U	10/2018
CN	105685363	A	6/2016	CN	105953515	B	11/2018
CN	205093510	U	6/2016	CN	108813086	A	11/2018
CN	205308187	U	6/2016	CN	108813087	A	11/2018
CN	205337470	U	6/2016	CN	105076654	B	12/2018
CN	105758080	A	7/2016	CN	208228236	U	12/2018
CN	105767442	A	7/2016	CN	109152384	A	1/2019
CN	205358065	U	7/2016	CN	109156596	A	1/2019
CN	104279828	B	8/2016	CN	208425451	U	1/2019
CN	105841416	A	8/2016	CN	208434646	U	1/2019
CN	105851451	A	8/2016	CN	105953513	B	3/2019
CN	205409472	U	8/2016	CN	109431269	A	3/2019
CN	205431914	U	8/2016	CN	109864173	A	6/2019
CN	205455812	U	8/2016	CN	209031071	U	6/2019
CN	205505529	U	8/2016	CN	109997949	A	7/2019
CN	205505530	U	8/2016	CN	209047390	U	7/2019
CN	105961818	A	9/2016	CN	209073407	U	7/2019
CN	205567686	U	9/2016	CN	209147536	U	7/2019
CN	205580055	U	9/2016	CN	209251633	U	8/2019
CN	106035973	A	10/2016	CN	209284210	U	8/2019
CN	205624265	U	10/2016	CN	209436192	U	9/2019
CN	205624266	U	10/2016	CN	209489434	U	10/2019
CN	205655544	U	10/2016	CN	110477182	A	11/2019
CN	205695438	U	11/2016	CN	104782875	B	12/2019
CN	205695441	U	11/2016	CN	209825085	U	12/2019
CN	205695442	U	11/2016	CN	110651883	A	1/2020
CN	205747670	U	11/2016	CN	209965158	U	1/2020
CN	205848606	U	1/2017	CN	105558248	B	2/2020
CN	106376706	A	2/2017	CN	110771717	A	2/2020
CN	205939910	U	2/2017	CN	110810615	A	2/2020
CN	205947042	U	2/2017	CN	210054494	U	2/2020
CN	205947054	U	2/2017	CN	210157942	U	3/2020
CN	206005817	U	3/2017	CN	210168943	U	3/2020
CN	106693746		5/2017	CN	210203192	U	3/2020
CN	106693746	A	5/2017	CN	210299346	U	4/2020
CN	206182263	U	5/2017	CN	210332513	U	4/2020
CN	206196872	U	5/2017	CN	210610902	U	5/2020
CN	206196873	U	5/2017	CN	210625031	U	5/2020
CN	103190520	B	6/2017	CN	111328909	A	6/2020
CN	206213187	U	6/2017	CN	210695798	U	6/2020
CN	206227572	U	6/2017	CN	210747048	U	6/2020
CN	206227573	U	6/2017	CN	210901236	U	7/2020
CN	206227575	U	6/2017	CN	210901239	U	7/2020
CN	106979634	A	7/2017	CN	211026023	U	7/2020
CN	106982977	A	7/2017	CN	211091708	U	7/2020
CN	206354338	U	7/2017	CN	211091709	U	7/2020
CN	107019088	A	8/2017	CN	106889294	B	8/2020
CN	107027950	A	8/2017	CN	211211296	U	8/2020
CN	206413692	U	8/2017	CN	111657388	A	9/2020
CN	206443073	U	8/2017	CN	111657389	A	9/2020
CN	107125423	A	9/2017	CN	211430928	U	9/2020
CN	107175713	A	9/2017	CN	211746663	U	10/2020
CN	206525481	U	9/2017	CN	211794135	U	10/2020
CN	206547792	U	10/2017	CN	111887338	A	11/2020
CN	206576207	U	10/2017	CN	111903828	A	11/2020
CN	206620790	U	11/2017	CN	212232975	U	12/2020
CN	206739675	U	12/2017	CN	212232976	U	12/2020
CN	107616292	A	1/2018	CN	112219932	A	1/2021
CN	206821892	U	1/2018	CN	212306694	U	1/2021
CN	206821897	U	1/2018	CN	212325314	U	1/2021
CN	207023136	U	2/2018	CN	212345191	U	1/2021
CN	207023137	U	2/2018	CN	212414601	U	1/2021
CN	106221174	B	4/2018	CN	212437169	U	2/2021
CN	207201937	U	4/2018	CN	212464764	U	2/2021
CN	207220039	U	4/2018	CN	112515503	A	3/2021
CN	207269785	U	4/2018	CN	112715735	A	4/2021
CN	207285067	U	5/2018	CN	212852474	U	4/2021
CN	105758080	B	6/2018	CN	213045050	U	4/2021
				CN	213074319	U	4/2021
				DE	2905308		9/1979
				DE	2905308	A	9/1979
				DE	102004008748		9/2004

(56)

References Cited

FOREIGN PATENT DOCUMENTS

DE 102004008748 A1 9/2004  
 EP 0891139 1/1999  
 EP 0877558 B1 7/2002  
 EP 1264567 12/2002  
 EP 0996341 B1 9/2003  
 EP 1156735 B1 10/2004  
 EP 1544882 A2 6/2005  
 EP 1588981 A1 10/2005  
 EP 1334664 B1 12/2005  
 EP 1449441 B1 12/2005  
 EP 1309245 B1 3/2006  
 EP 1465499 B1 3/2006  
 EP 1884167 A1 2/2008  
 EP 1068803 B1 12/2008  
 EP 1802225 B1 4/2009  
 EP 2070423 A1 6/2009  
 EP 2067407 B1 8/2010  
 EP 2284465 A2 2/2011  
 EP 2402690 A2 1/2012  
 EP 1993373 B1 6/2013  
 EP 2659958 11/2013  
 EP 2659958 A1 11/2013  
 EP 2140768 B1 3/2014  
 EP 2189067 B1 3/2014  
 EP 2242376 B1 6/2014  
 EP 2750517 A2 7/2014  
 EP 2560502 B1 12/2014  
 EP 2242377 B1 2/2015  
 EP 2611344 B1 7/2015  
 EP 2681009 B1 8/2015  
 EP 2755496 B1 8/2015  
 EP 2673581 B1 9/2015  
 EP 2478774 B1 7/2016  
 EP 2524603 B1 8/2016  
 EP 2862488 B1 8/2016  
 EP 2897469 B1 11/2016  
 EP 2805620 B1 2/2017  
 EP 2862450 B1 3/2017  
 EP 2277386 B1 4/2017  
 EP 2445356 B1 4/2017  
 EP 3148347 A1 4/2017  
 EP 3050616 B1 11/2017  
 EP 3247216 B1 11/2017  
 EP 2916695 B1 1/2018  
 EP 2708141 B1 4/2018  
 EP 2755497 B1 9/2018  
 EP 3369353 A1 9/2018  
 EP 3095332 B1 10/2018  
 EP 3145320 B1 12/2018  
 EP 3220749 B1 12/2018  
 EP 3426055 A1 1/2019  
 EP 3266311 B1 3/2019  
 EP 3247216 B1 4/2019  
 EP 3473950 A1 4/2019  
 EP 3331375 B1 6/2019  
 EP 3021956 B1 8/2019  
 EP 3568025 A1 11/2019  
 EP 3391752 B1 12/2019  
 EP 3305089 B1 1/2020  
 EP 3183975 B1 4/2020  
 EP 3185693 B1 4/2020  
 EP 3643180 A1 4/2020  
 EP 3091848 B1 7/2020

EP 3682743 A2 7/2020  
 EP 3490386 B1 8/2020  
 EP 3632473 A3 11/2020  
 EP 3058831 B1 12/2020  
 EP 3351113 B1 12/2020  
 EP 3528639 B1 12/2020  
 EP 3381295 B1 1/2021  
 EP 3758503 A1 1/2021  
 EP 3775729 A1 2/2021  
 EP 3291719 B1 3/2021  
 EP 3292768 B1 3/2021  
 EP 3590351 B1 3/2021  
 EP 3796784 A1 3/2021  
 EP 3801042 A1 4/2021  
 EP 3801158 A1 4/2021  
 FR 1104425 A 11/1955  
 JP S5931654 A 2/1984  
 KR 20040099008 A 11/2004  
 KR 101624283 B1 5/2016  
 KR 20170056787 A 5/2017  
 KR 102185180 12/2020  
 KR 102185180 B1 12/2020  
 TW M429850 U 5/2012  
 TW I465677 B 12/2014  
 TW I535986 B 6/2016  
 WO 9736498 A1 10/1997  
 WO 0197628 A1 12/2001  
 WO 03065819 A1 8/2003  
 WO 2008/036972 A2 3/2008  
 WO 2008036972 A2 3/2008  
 WO 2014026445 A1 2/2014  
 WO 2014206119 A1 12/2014  
 WO 2015063135 A1 5/2015  
 WO 2016078042 A1 5/2016  
 WO 2017/090647 A1 6/2017  
 WO 2017090647 A1 6/2017  
 WO 2017139395 A1 8/2017  
 WO 2017166007 A1 10/2017  
 WO 2017166008 A1 10/2017  
 WO 2018141758 A1 8/2018  
 WO 2019197152 A1 10/2019  
 WO 2019200490 A1 10/2019  
 WO WO2019200490 10/2019  
 WO 2019/220490 A1 11/2019  
 WO 2019/220491 A1 11/2019  
 WO 2019220490 A1 11/2019  
 WO 2019220491 A1 11/2019  
 WO 2020236173 A1 11/2020  
 WO 2022014808 B1 1/2022  
 WO 2022020653 A1 1/2022  
 WO WO2022014808 1/2022

OTHER PUBLICATIONS

Office Action dated May 26, 2022, for related U.S. Appl. No. 17/698,660.

“Ninja NC301 CREAMi Ice Cream Maker,” retrieved from URL: [https://www.amazon.com/Ninja-NC301-placeholder-Cream-Maker/dp/B08QXB9BH5/ref=sr\\_1\\_1?keywords=ninja%2Bicecream%2Bmaker%2Bmachin&qid=1663587903&sr=8-1&th=1,9 pgs. \(Pub: Aug. 17, 2021\).](https://www.amazon.com/Ninja-NC301-placeholder-Cream-Maker/dp/B08QXB9BH5/ref=sr_1_1?keywords=ninja%2Bicecream%2Bmaker%2Bmachin&qid=1663587903&sr=8-1&th=1,9 pgs. (Pub: Aug. 17, 2021).)

Ice Cream Maker, Ninja™ CREAMi™: How to Assemble + Use, YouTube video by Ninja Kitchen; retrieved from URL: <https://www.youtube.com/watch?v=fXkq1tzxLm0>, (Jul. 27, 2021).

\* cited by examiner

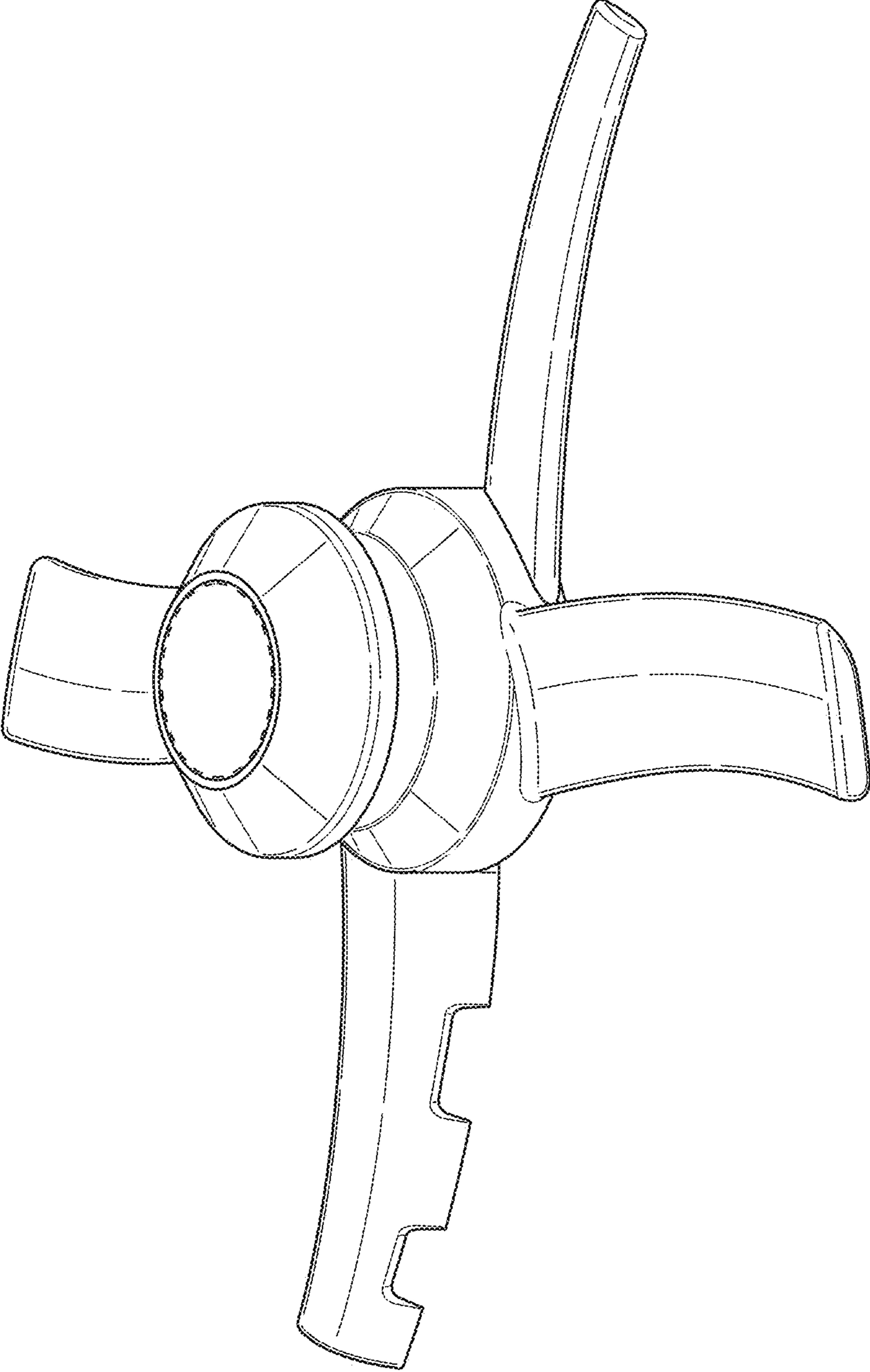


FIG. 1

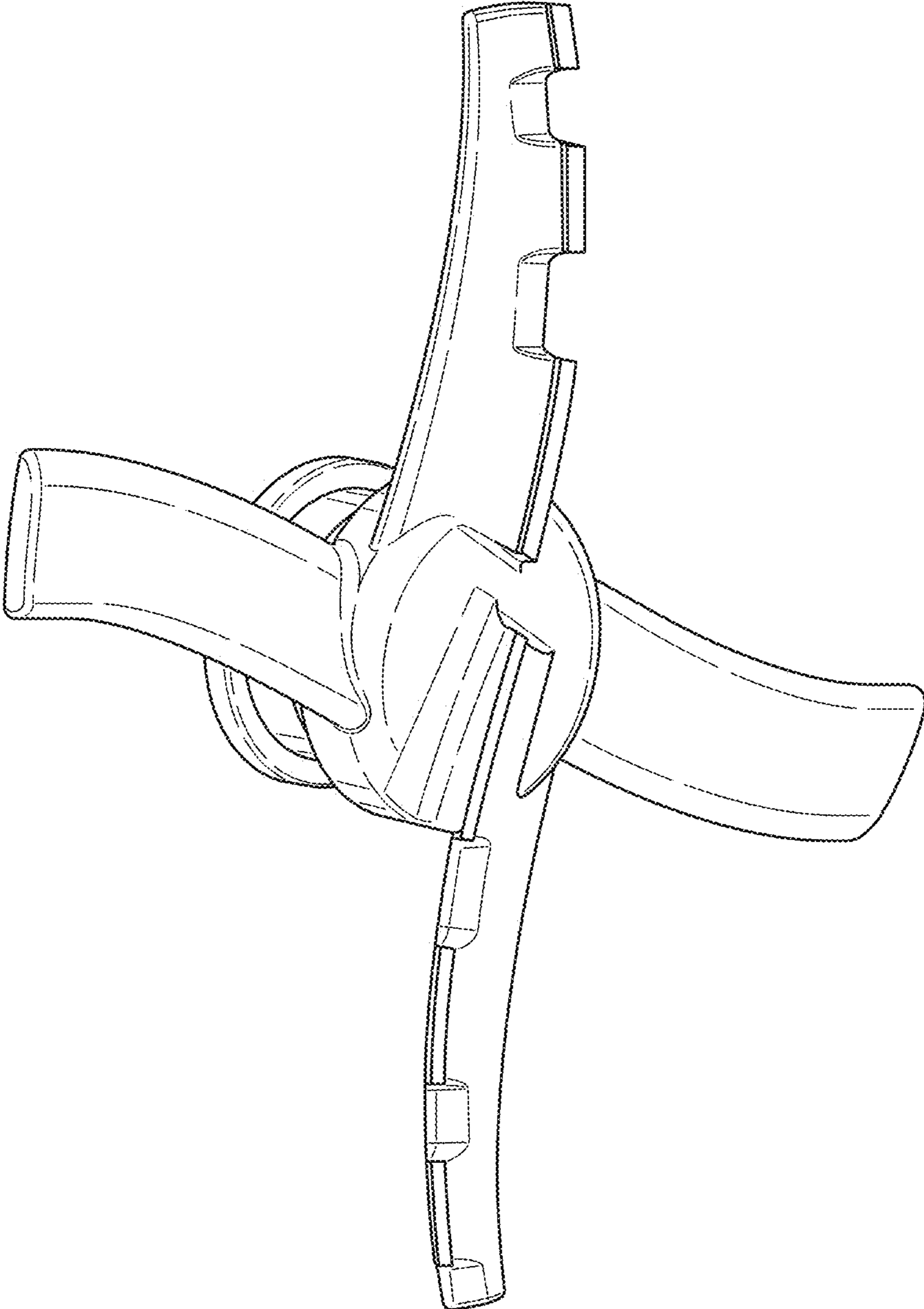


FIG. 2



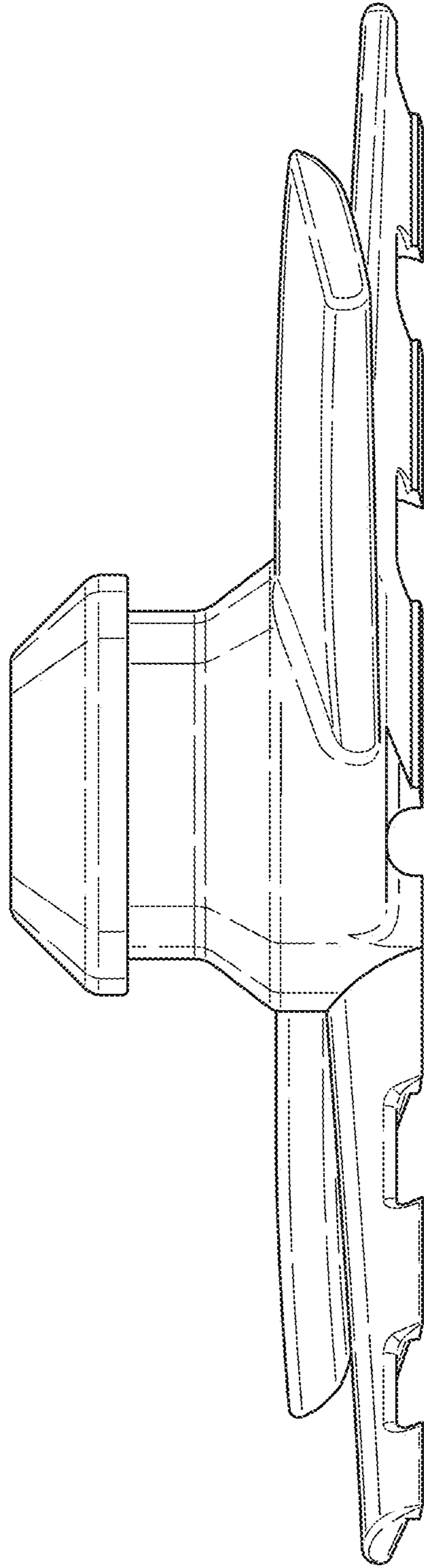


FIG. 3

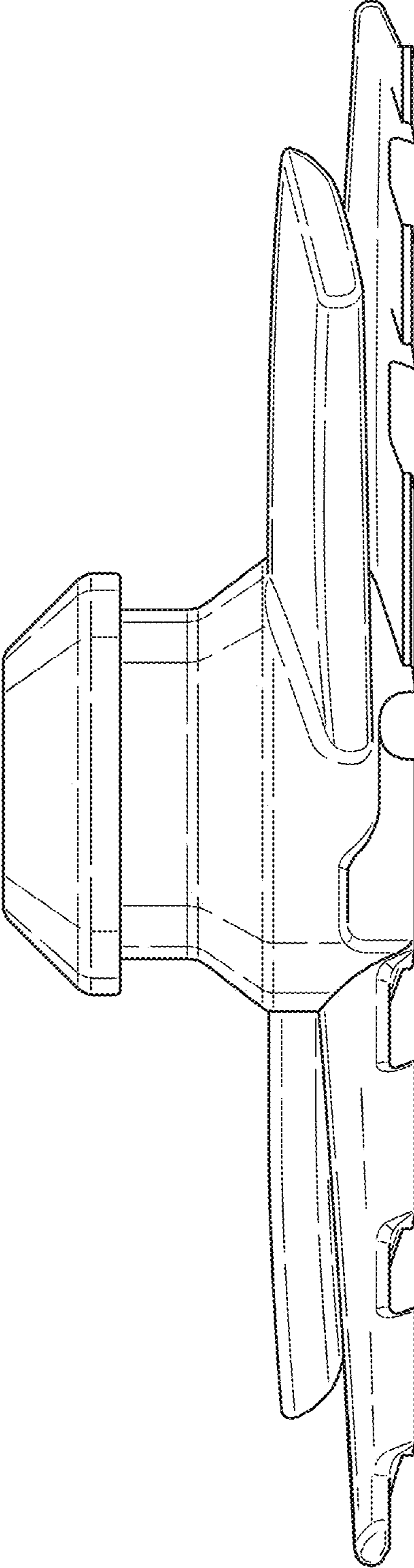


FIG. 4

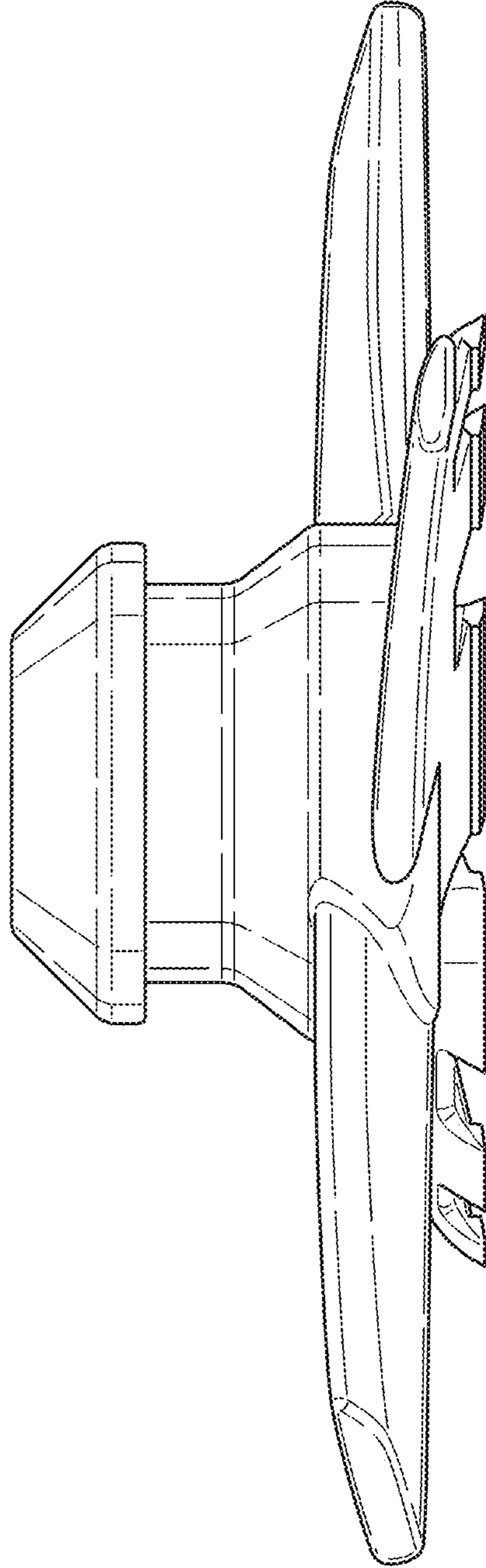


FIG. 5

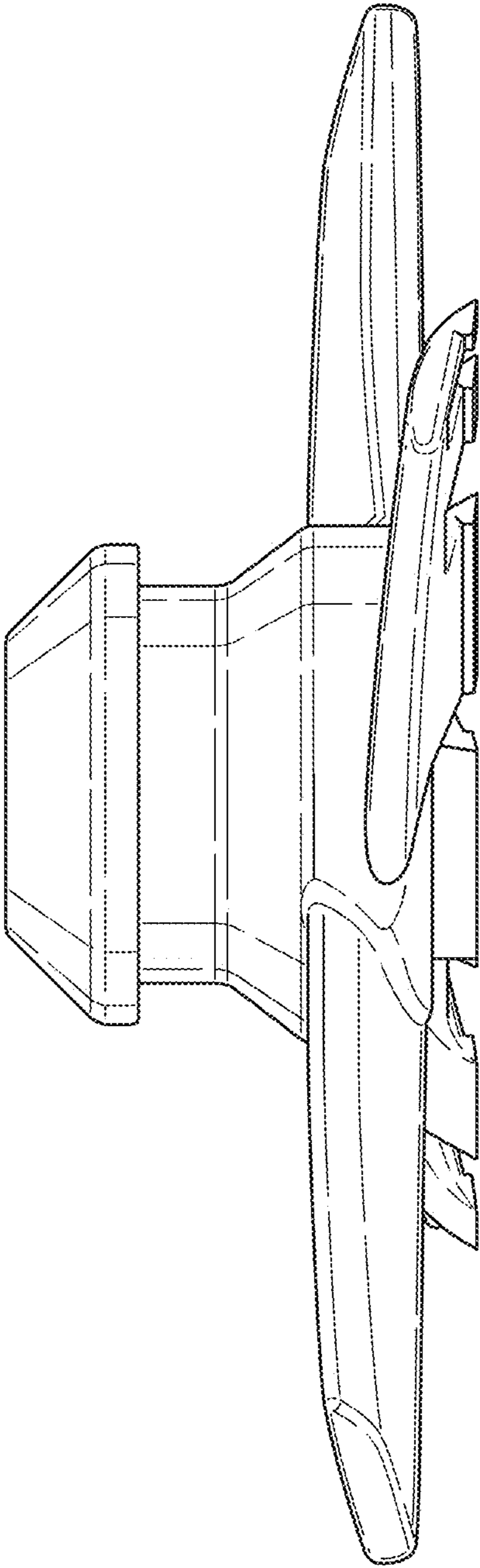


FIG. 6

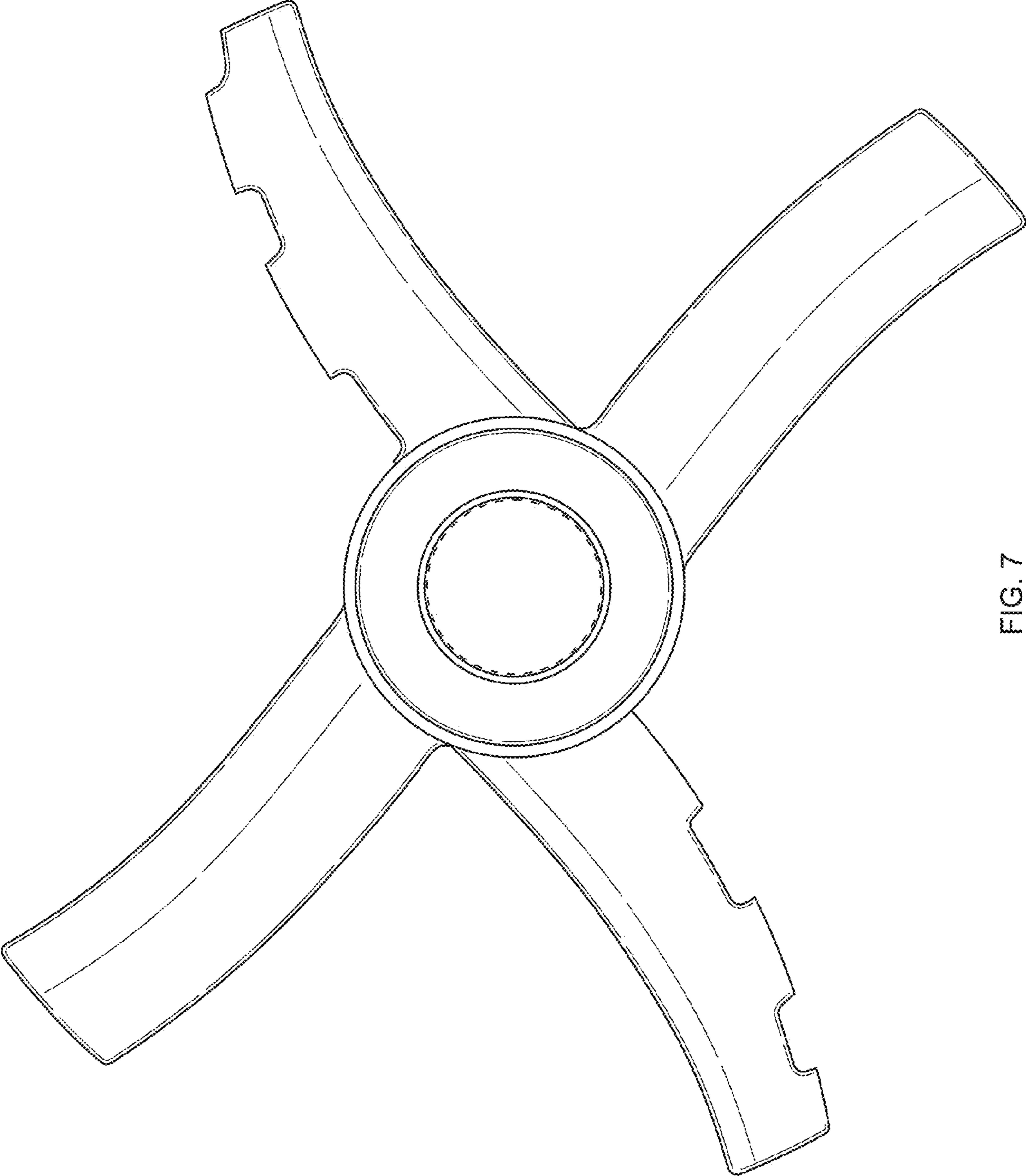


FIG. 7

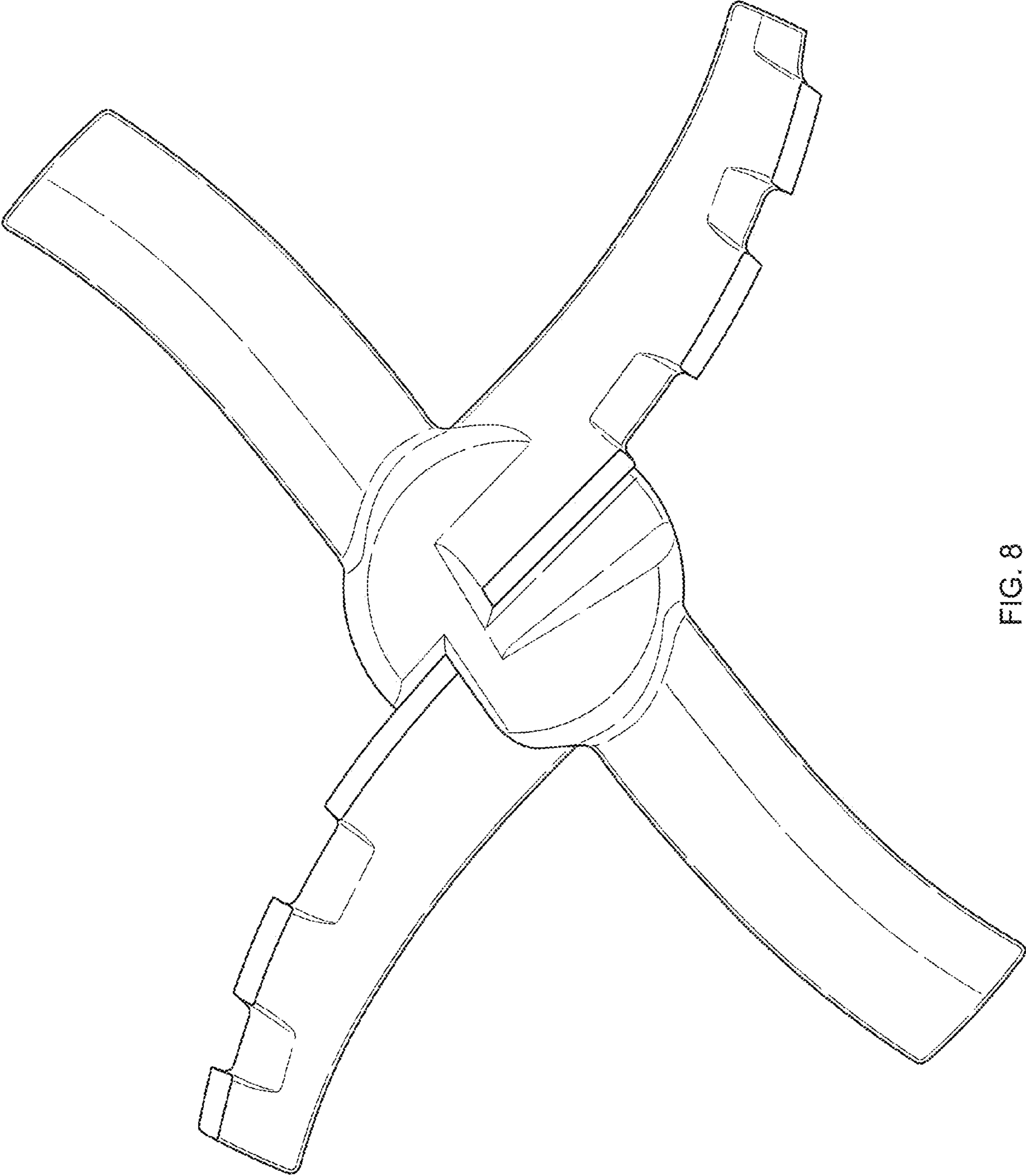


FIG. 8