



US00D983602S

(12) **United States Design Patent**  
**Pruitt et al.**

(10) **Patent No.:** **US D983,602 S**  
(45) **Date of Patent:** **\*\* Apr. 18, 2023**

(54) **KAMADO COOKER ACCESSORY**

(71) Applicant: **Align Machine Works, LLC**, Athens, GA (US)

(72) Inventors: **Joseph Pruitt**, Athens, GA (US);  
**Jeffrey Broadrick**, Athens, GA (US);  
**David Matthew Williams Hemming**, Surprise, AZ (US)

(73) Assignee: **Align Machine Works, LLC**, Athens, GA (US)

(\*\*) Term: **15 Years**

(21) Appl. No.: **29/853,309**

(22) Filed: **Sep. 14, 2022**

**Related U.S. Application Data**

(63) Continuation of application No. 17/316,470, filed on May 10, 2021, which is a continuation-in-part of application No. 16/265,377, filed on Feb. 1, 2019, now Pat. No. 11,026,542.

(51) **LOC (14) Cl.** ..... **07-02**

(52) **U.S. Cl.**  
USPC ..... **D7/409**

(58) **Field of Classification Search**  
USPC ..... D7/402, 407-409, 323, 332, 335-337,  
D7/354-355, 362-363, 387-388, 350.1;  
D23/350  
CPC .... A47J 37/0786; A47J 37/0704; A47J 37/07;  
A47J 37/0763; A47J 37/0658; A47J  
37/0664

See application file for complete search history.

(56) **References Cited**

**U.S. PATENT DOCUMENTS**

D214,297 S \* 5/1969 Ihde ..... D23/350  
D262,178 S 12/1981 Barber  
D429,952 S 8/2000 Cragg  
D430,991 S 9/2000 Cragg

D439,792 S \* 4/2001 Hedrington ..... D7/323  
6,929,001 B2 8/2005 Yoon  
D545,124 S 6/2007 Hawkins  
D610,868 S \* 3/2010 Andersson ..... D7/402  
D693,166 S \* 11/2013 Measom ..... D7/350.1

(Continued)

**OTHER PUBLICATIONS**

Kamado Joe KJ-DJ DoJoe Pizza Oven Grill Accessory for Classic Joe, Amazon [online], date first available Aug. 2, 2019, [retrieved on Nov. 30, 2022]. Retrieved from the Internet, URL: <https://www.amazon.ca/Kamado-Joe-KJ-DJ-Classic-D%C5%8DJoe/dp/B07QDB7KYN?th=1>.

(Continued)

*Primary Examiner* — Nicole C Shiflet

(74) *Attorney, Agent, or Firm* — Smith Tempel Blaha LLC; Matthew T. Hoots

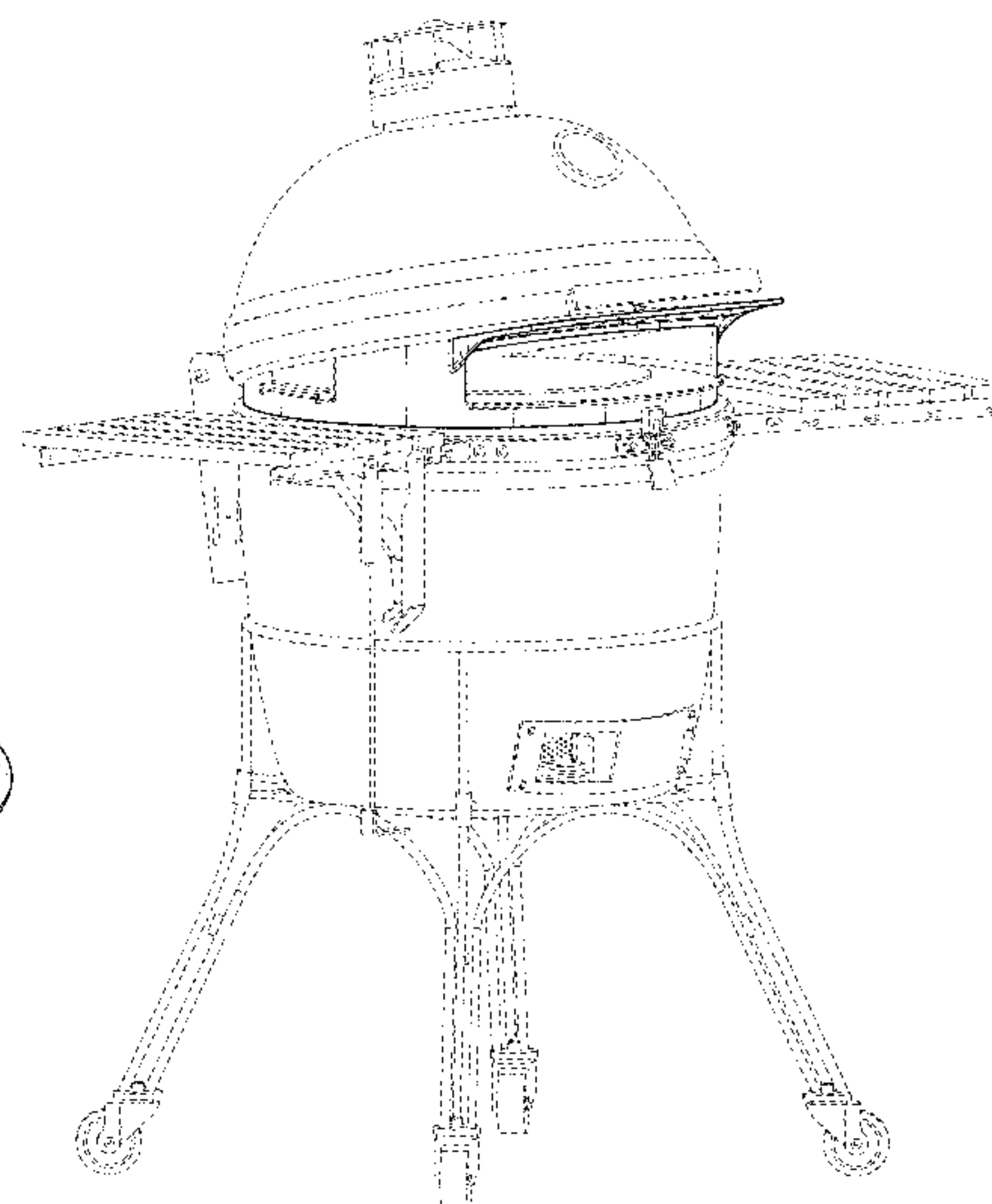
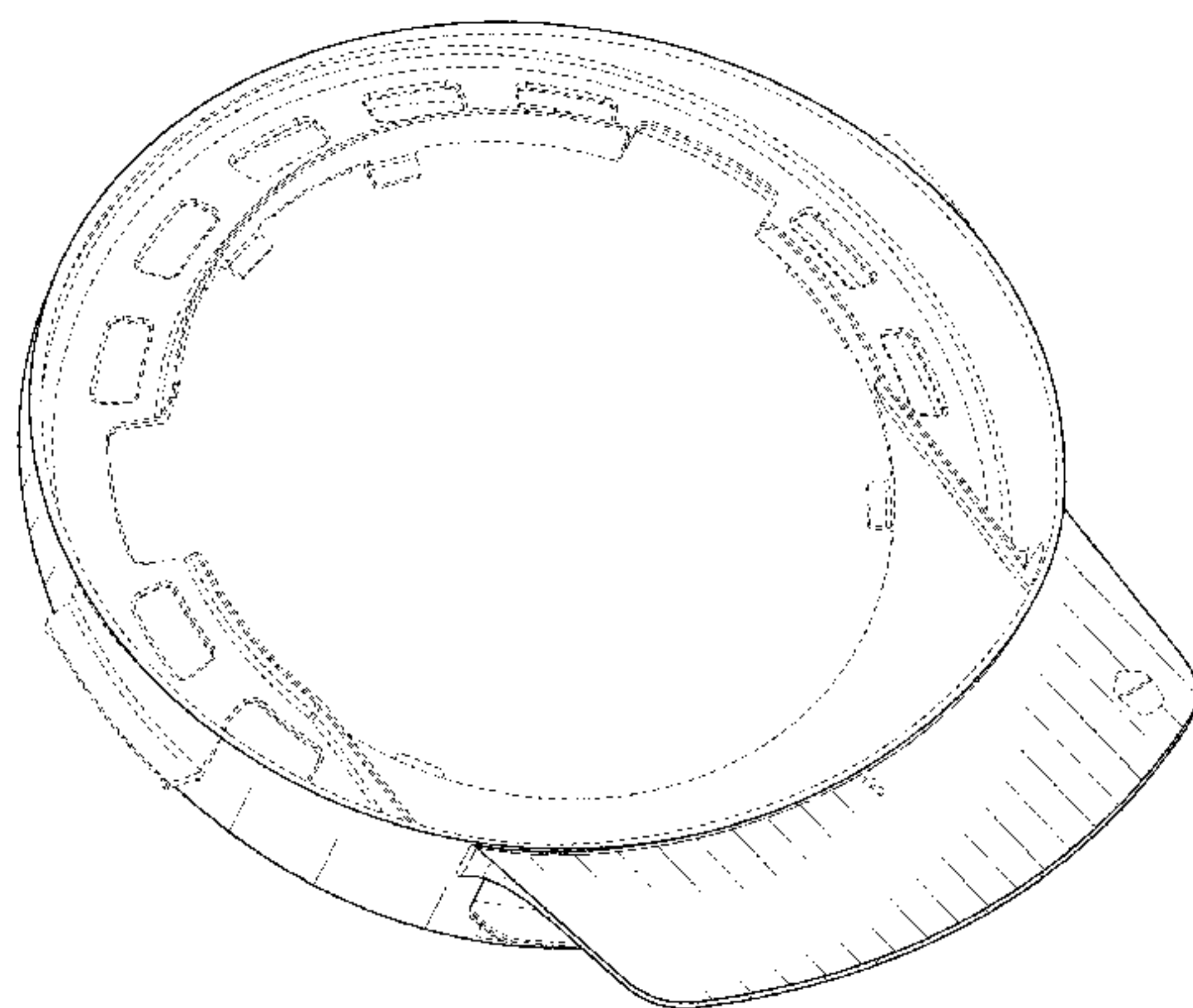
(57) **CLAIM**

The ornamental design for a kamado cooker accessory, as shown and described.

**DESCRIPTION**

FIG. 1 is a top perspective view of a kamado cooker accessory showing our new design; FIG. 2 is a bottom perspective view thereof; FIG. 3 is a front view thereof; FIG. 4 is a rear view thereof; FIG. 5 is a left-side view thereof; FIG. 6 is a right-side view thereof; FIG. 7 is a top view thereof; FIG. 8 is a bottom view thereof; and, FIG. 9 is an illustration of the kamado cooker accessory of FIG. 1 deployed within a kamado cooker. The broken line showing of the kamado cooker in FIG. 9 depicts environment; the remaining broken lines in the drawings depict portions of the kamado cooker accessory. The broken lines form no part of the claimed design.

**1 Claim, 7 Drawing Sheets**



(56)

References Cited

U.S. PATENT DOCUMENTS

D693,174 S \* 11/2013 Measom ..... D7/402  
 D730,105 S \* 5/2015 Borovicka ..... D7/350.1  
 9,237,828 B2 1/2016 Walters  
 D764,868 S \* 8/2016 Krolick ..... D7/409  
 D766,037 S 9/2016 Johnston  
 D781,647 S 3/2017 Bogazzi  
 D807,108 S \* 1/2018 Borovicka ..... D7/362  
 D816,401 S \* 5/2018 Chung ..... D7/402  
 D822,435 S 7/2018 George  
 D832,045 S 10/2018 Nadal  
 10,159,381 B2 12/2018 Walters  
 D845,055 S \* 4/2019 Goodwin ..... D7/323  
 D893,256 S \* 8/2020 Pruitt ..... D7/409  
 D906,759 S \* 1/2021 Romzek ..... D7/354  
 D944,583 S \* 3/2022 Chen ..... D7/332  
 D947,591 S \* 4/2022 Gozney ..... D7/332  
 D959,906 S \* 8/2022 Running ..... D7/407  
 2011/0214662 A1 \* 9/2011 Contarino, Jr. .... A47J 37/07  
 126/25 R  
 2013/0276643 A1 \* 10/2013 Krolick ..... F24B 1/003  
 99/447  
 2014/0026881 A1 \* 1/2014 Abrams ..... A47J 37/0658  
 126/25 R

2014/0130788 A1 \* 5/2014 Contarino, Jr. .... F24B 1/207  
 99/422  
 2014/0196609 A1 \* 7/2014 Snyman ..... A47J 37/043  
 99/340  
 2014/0251160 A1 \* 9/2014 Contarino, Jr. .... A47J 37/0786  
 99/341  
 2016/0227965 A1 \* 8/2016 Johnston ..... A47J 37/0704  
 2017/0020337 A1 \* 1/2017 Borovicka ..... A47J 37/0786  
 2017/0164784 A1 6/2017 Rummel  
 2017/0238760 A1 \* 8/2017 Fagg ..... A47J 37/0786  
 2020/0245811 A1 \* 8/2020 Pruitt ..... A47J 37/0704  
 2021/0259467 A1 \* 8/2021 Pruitt ..... A47J 37/0658

OTHER PUBLICATIONS

Pizzacraft PC7001 PizzaQue Deluxe Outdoor Pizza Oven Kettle Grill Conversion Kit, Amazon [online], date first available May 22, 2018, [retrieved on Nov. 30, 2022]. Retrieved from the Internet, URL: <https://www.amazon.com.au/PizzaQue-Deluxe-Kettle-Grills-PC7001/dp/B00PP47H4S>.  
 Pizza Oven Ring with Wooden Handle for Akorn Kamado Grill, by BBQube, Amazon [online], date first available May 9, 2018, [retrieved on Dec. 1, 2022]. Retrieved from the Internet, URL: <https://www.amazon.com/Pizza-Wooden-Handle-Akorn-Kamado/dp/B07CZ1RGT9>.

\* cited by examiner

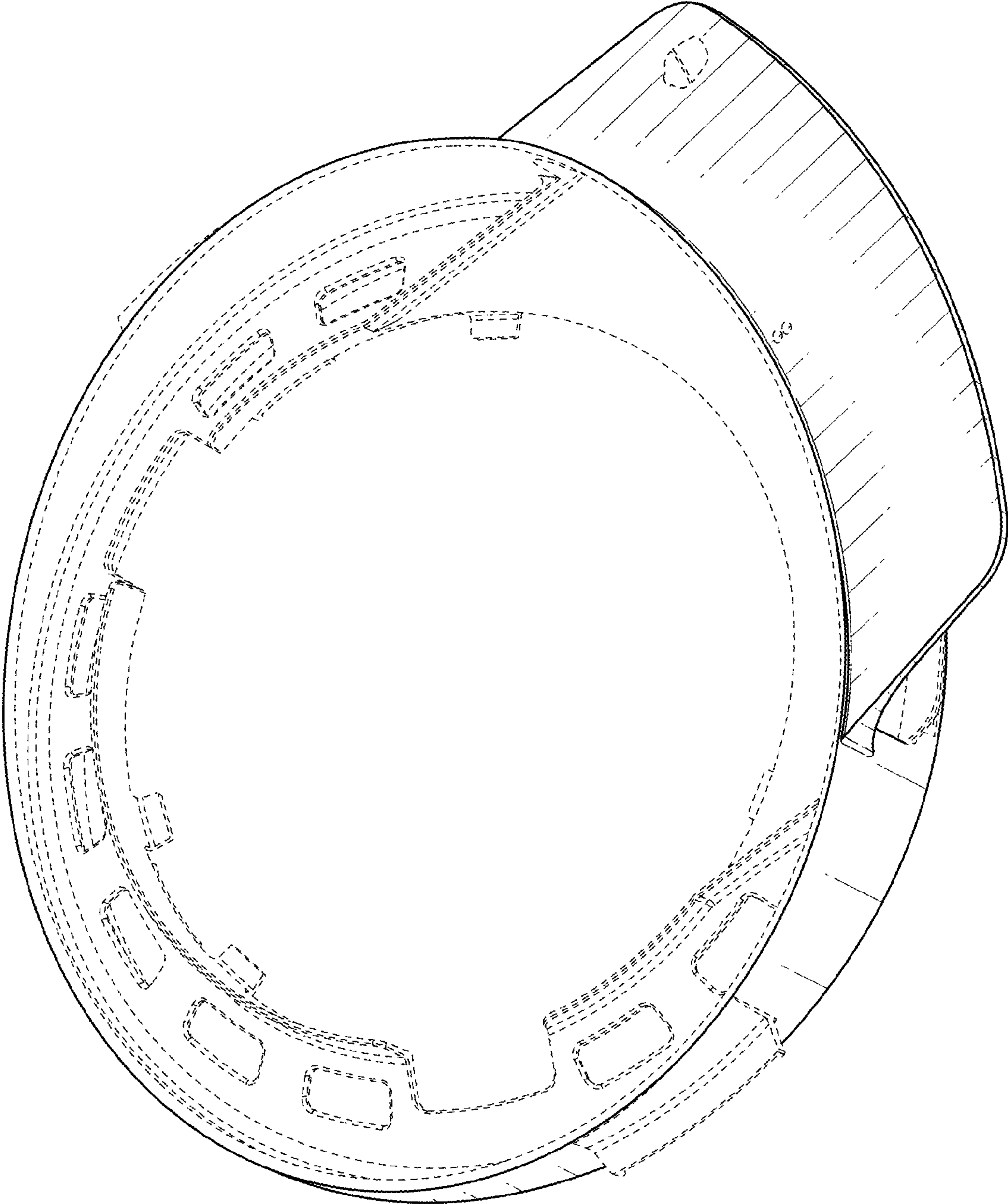


FIG. 1



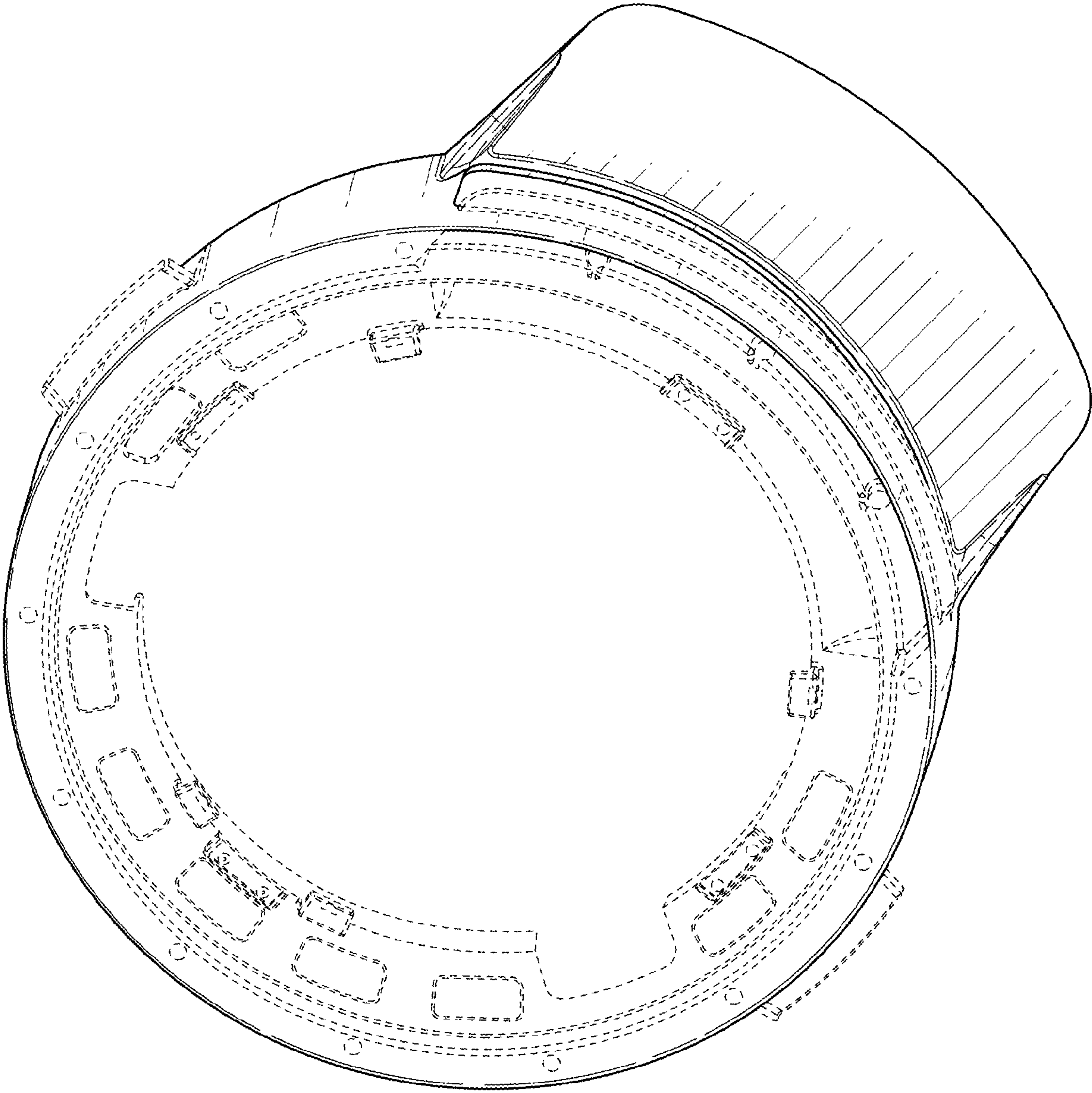


FIG. 2

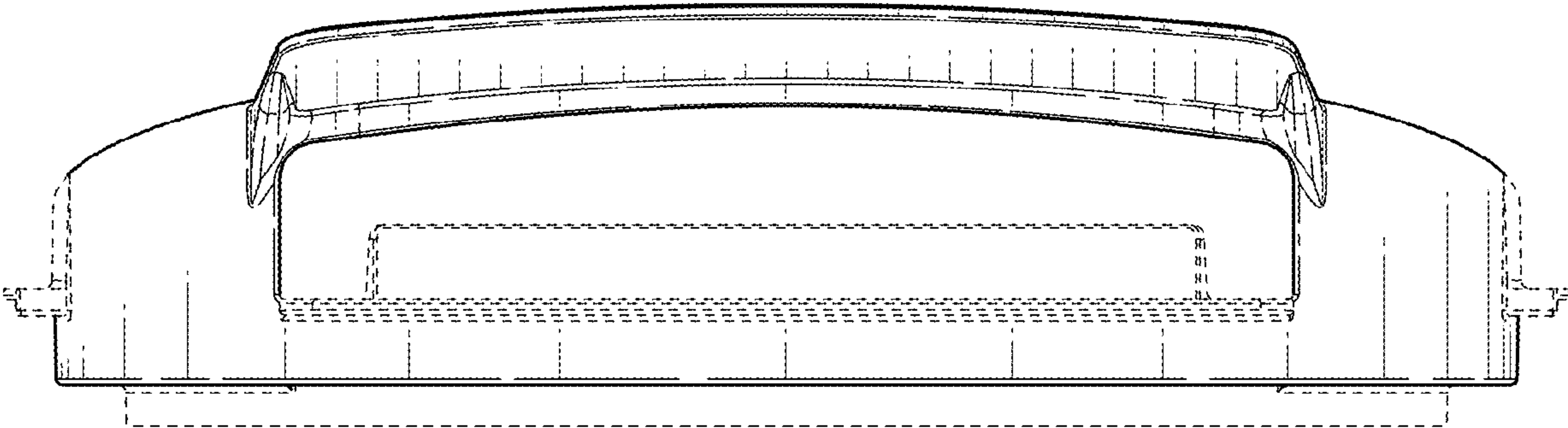


FIG. 3

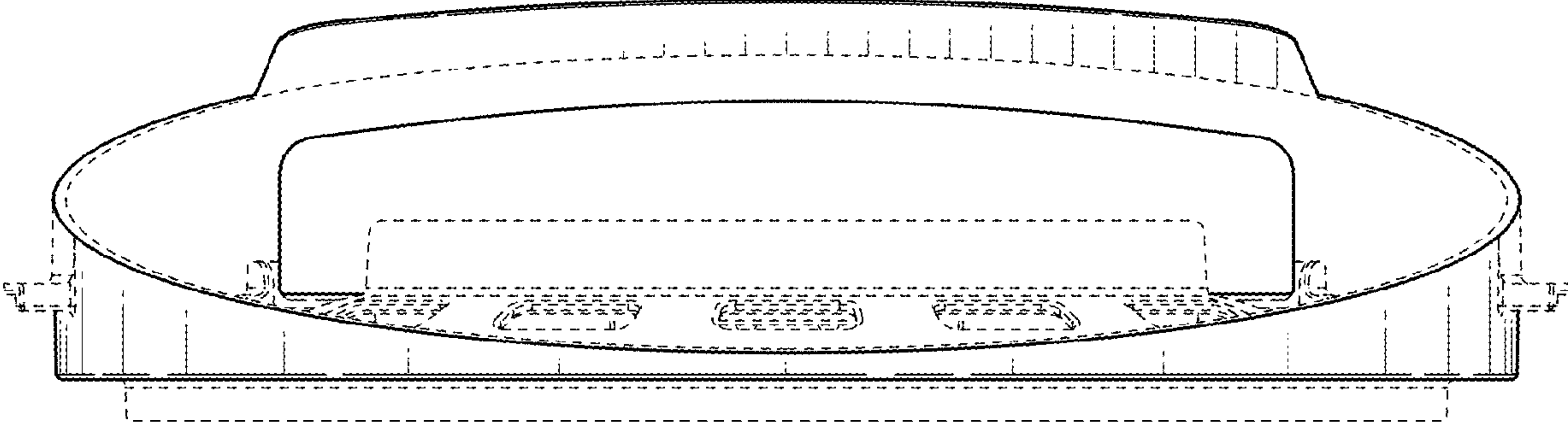


FIG. 4

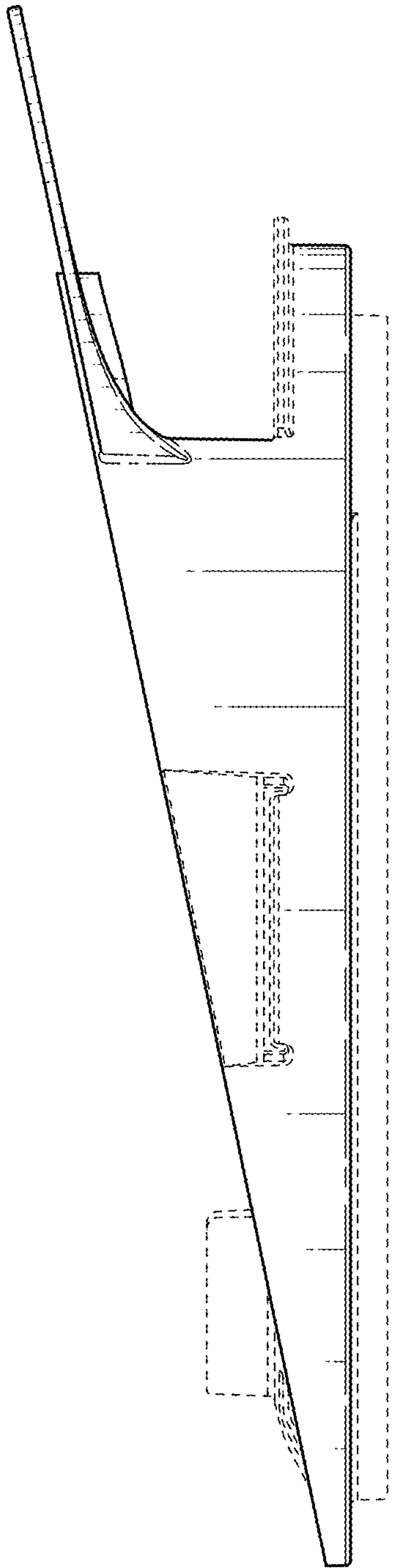


FIG. 5

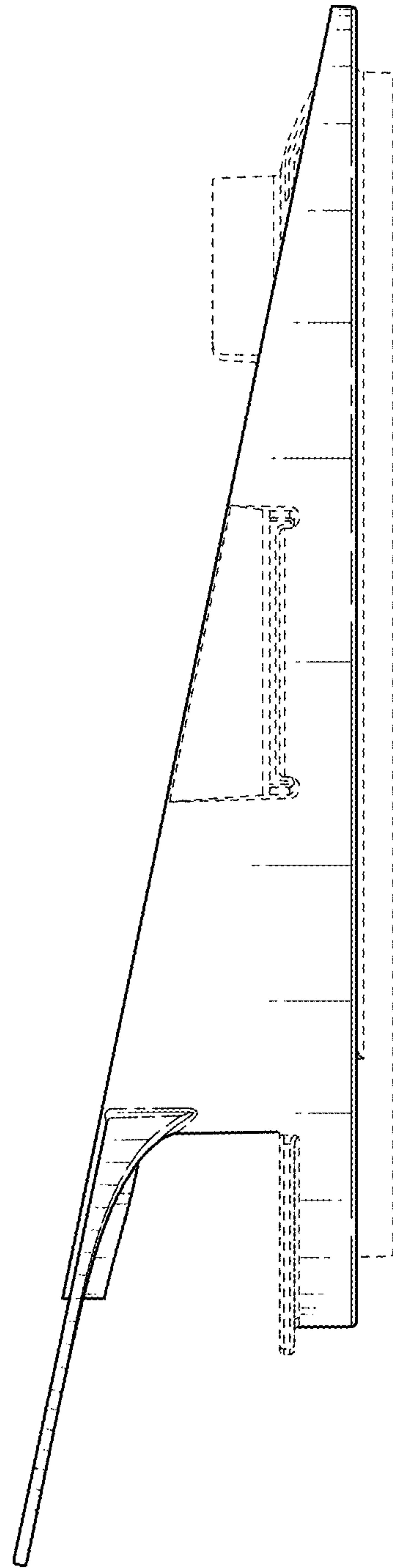


FIG. 6

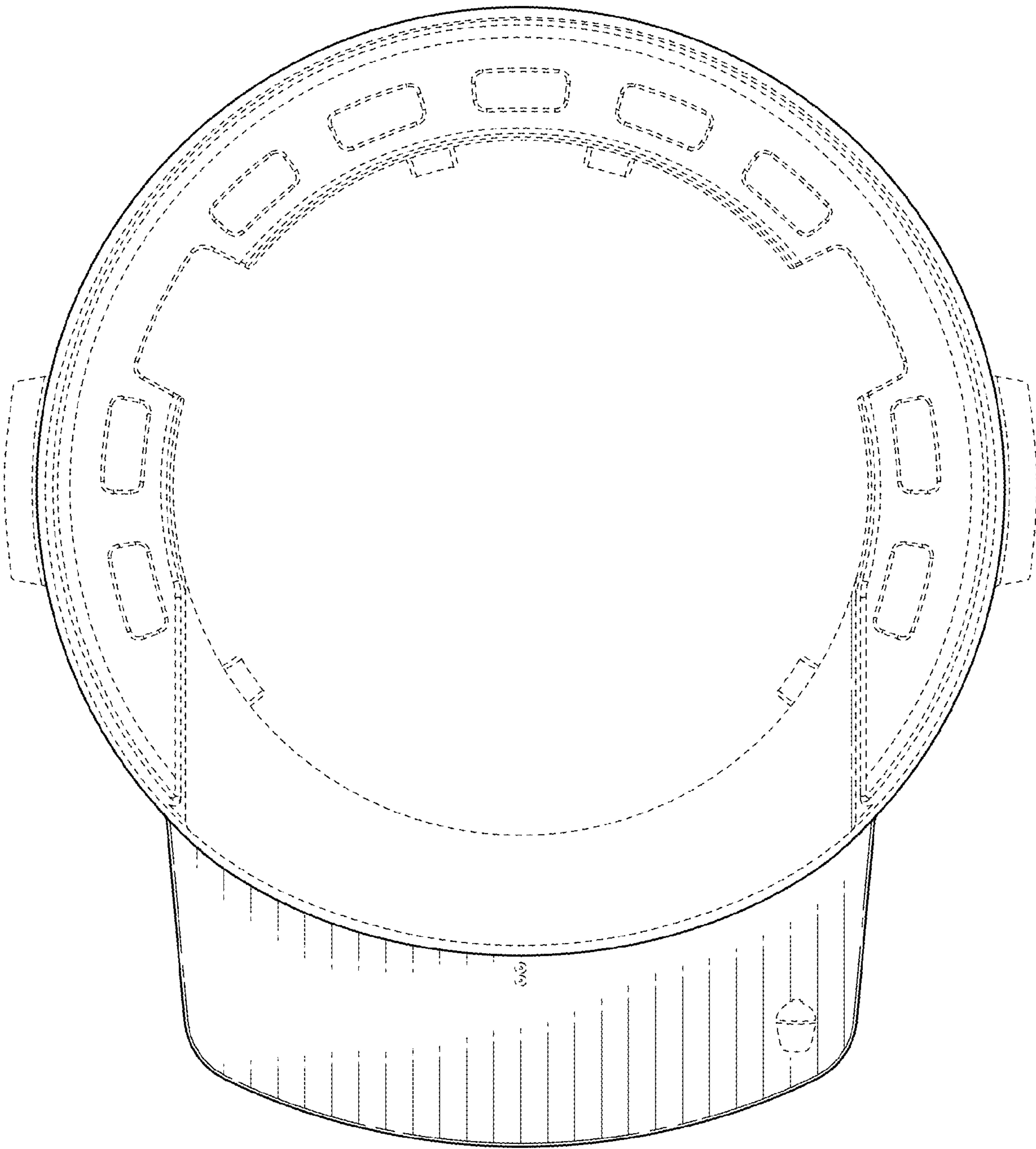


FIG. 7



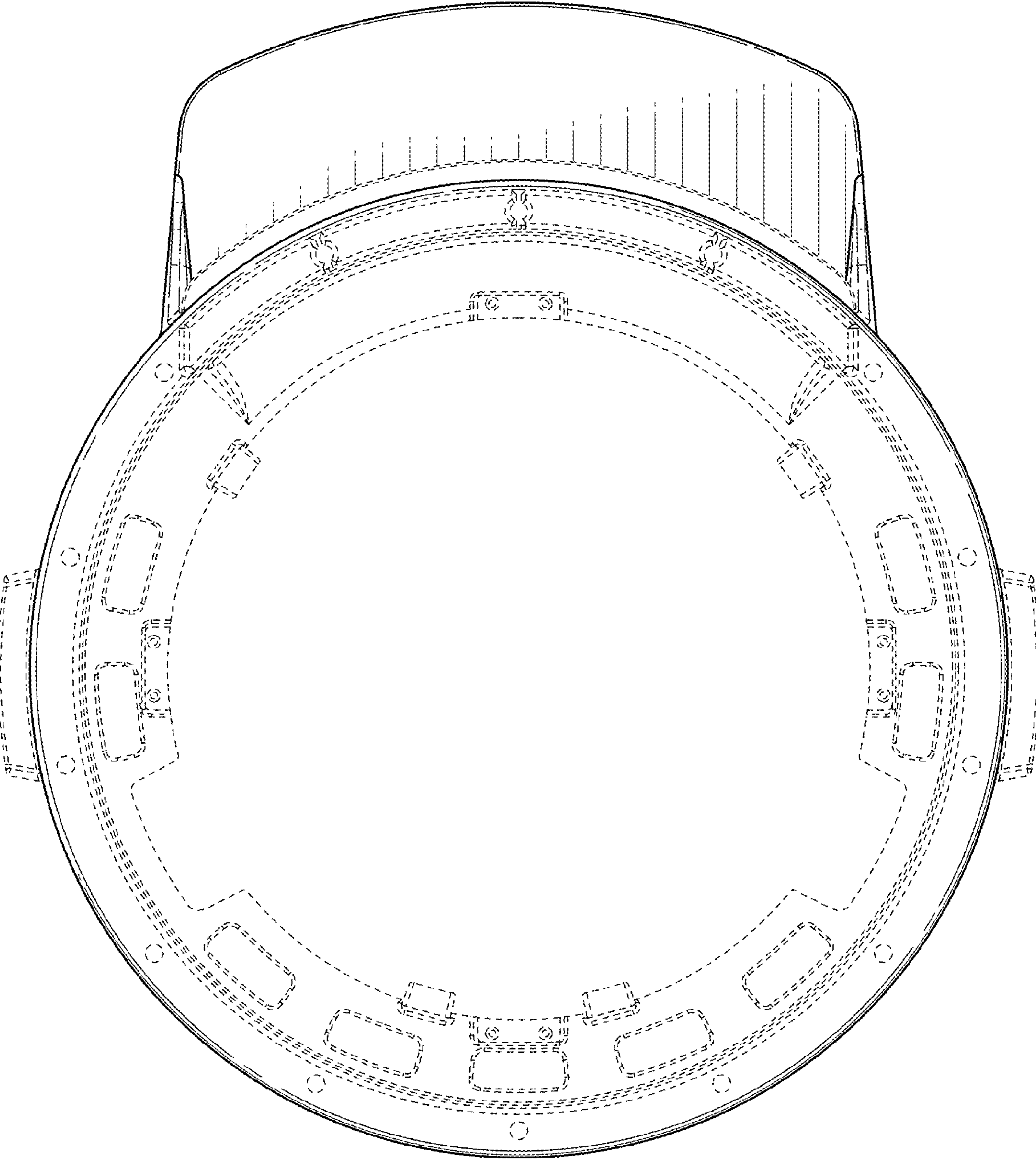


FIG. 8



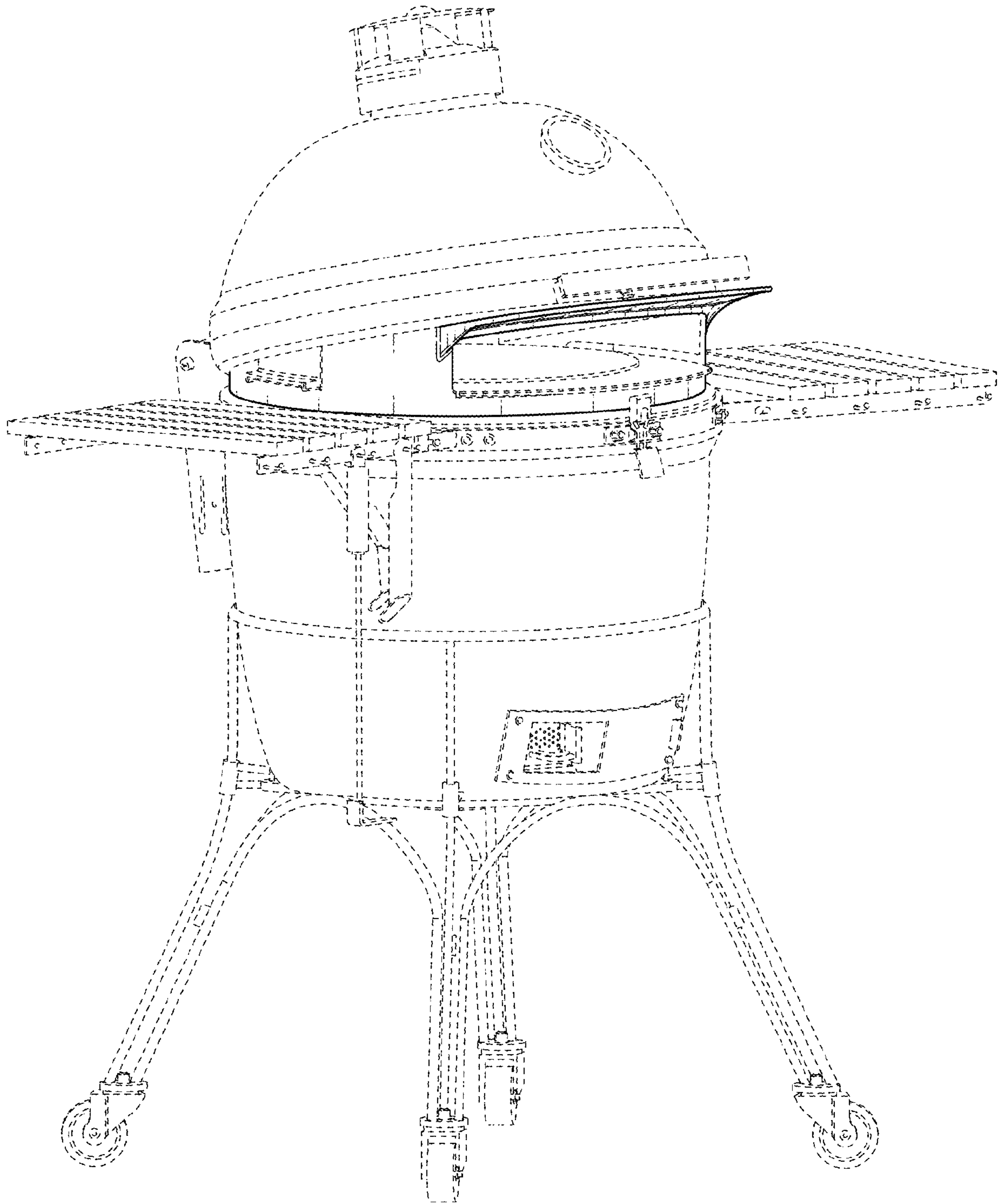


FIG. 9