



US00D983600S

(12) **United States Design Patent**  
**Zhang**

(10) **Patent No.:** **US D983,600 S**

(45) **Date of Patent:** **\*\* Apr. 18, 2023**

(54) **KETTLE NOZZLE**

(71) Applicant: **Bei Zhang**, Henan (CN)

(72) Inventor: **Bei Zhang**, Henan (CN)

(\*\*) Term: **15 Years**

(21) Appl. No.: **29/856,328**

(22) Filed: **Oct. 13, 2022**

(51) **LOC (14) Cl.** ..... **07-06**

(52) **U.S. Cl.**  
USPC ..... **D7/398**

(58) **Field of Classification Search**

USPC ..... D3/10, 12, 326, 328; D6/512, 513, 522,  
D6/524, 531, 534, 535, 537, 540, 546,  
D6/550, 552; D8/300, 307, 333, 352,  
D8/354, 373; D7/312, 399, 387, 388,  
D7/393, 396, 396.1, 397, 398, 401.1, 403,  
D7/409, 600.1, 601, 620, 633; D9/434,  
D9/435, 436, 443, 455, 715, 716, 441,  
D9/439, 440, 451; D23/206, 209, 213,  
D23/222, 255, 256, 259, 260, 266, 303,  
D23/304, 310, 312; D30/132, 199;  
D11/130, 144, 164  
CPC ..... E05B 73/00; B65D 43/09; B65D 43/16;  
B65D 43/0212; B65D 43/0208; B65D  
25/04; B65D 1/24; B65D 1/00; B65D  
1/02; B65D 1/10; B65D 1/46; B65D  
51/1694

See application file for complete search history.

(56) **References Cited**

**U.S. PATENT DOCUMENTS**

D31,125 S \* 7/1899 Hampton ..... D6/535  
D200,088 S \* 1/1965 Earnshaw ..... D23/213  
4,266,746 A \* 5/1981 Klaiber ..... B44D 3/123  
248/113  
4,319,758 A \* 3/1982 Nicholson ..... F16J 15/3204  
277/550  
D266,382 S \* 10/1982 Hutchinson ..... D6/556

D268,514 S \* 4/1983 Thompson ..... D23/254  
D268,516 S \* 4/1983 Thompson ..... D23/254  
D269,409 S \* 6/1983 Ferdinand ..... D8/312  
D271,831 S \* 12/1983 McGain ..... D8/373  
D282,706 S \* 2/1986 DiFede ..... D7/408  
4,611,478 A \* 9/1986 Carlson ..... G01R 11/04  
70/164  
D287,265 S \* 12/1986 Edwards ..... D23/206  
D287,872 S \* 1/1987 Eriksson ..... D23/259  
D296,414 S \* 6/1988 DeWalch ..... D8/333  
4,749,112 A \* 6/1988 Harper ..... A47G 23/0225  
224/567  
D306,507 S \* 3/1990 Lund ..... D32/54

(Continued)

**OTHER PUBLICATIONS**

Gadjet Sprinkle Daisy Spout: Announced (Sep. 13, 2019). Site Visited (Jan. 25, 2023). Available from URL: [https://www.amazon.com/Gadjet-Sprinkle-Spout-Daisy-Shaped-Sprinkler/dp/B01DFMFUCM/ref=cm\\_cr\\_arp\\_d\\_product\\_top?ie=UTF8.\\*](https://www.amazon.com/Gadjet-Sprinkle-Spout-Daisy-Shaped-Sprinkler/dp/B01DFMFUCM/ref=cm_cr_arp_d_product_top?ie=UTF8.*)

(Continued)

*Primary Examiner* — Catherine S Posthauer

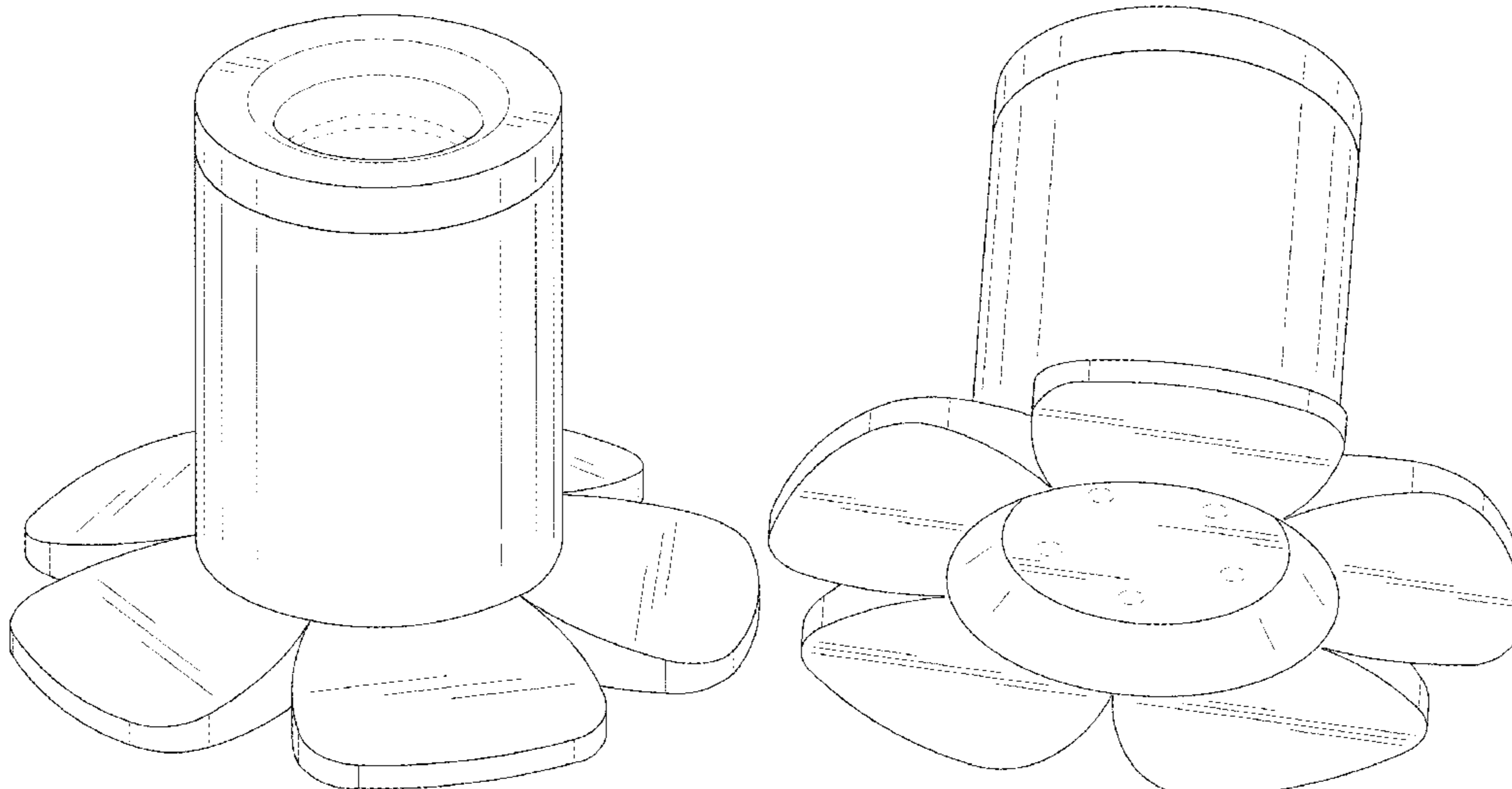
(57) **CLAIM**

The ornamental design for kettle nozzle, as shown and described.

**DESCRIPTION**

FIG. 1 is a front, left, and top perspective view of a kettle nozzle, showing my new design;  
FIG. 2 is a rear, right, and bottom perspective view thereof;  
FIG. 3 is a front elevational view thereof;  
FIG. 4 is a rear elevational view thereof;  
FIG. 5 is a left elevational view thereof;  
FIG. 6 is a right elevational view thereof;  
FIG. 7 is a top plan view thereof; and,  
FIG. 8 is a bottom plan view thereof.  
The broken lines depict portions of kettle nozzle and form no part of the claimed design.

**1 Claim, 8 Drawing Sheets**



(56)

References Cited

U.S. PATENT DOCUMENTS

D306,521 S \* 3/1990 Kenney ..... D3/229  
 D306,689 S \* 3/1990 Hamann ..... D8/367  
 D311,327 S \* 10/1990 Hughes ..... D32/54  
 D313,169 S \* 12/1990 Scott ..... D8/373  
 D317,388 S \* 6/1991 White ..... D7/400  
 D320,432 S \* 10/1991 Graf ..... D23/213  
 D338,064 S \* 8/1993 Jones ..... D24/128  
 D344,441 S \* 2/1994 Mahaney ..... D8/333  
 D348,384 S \* 7/1994 Karsten ..... D8/373  
 D364,123 S \* 11/1995 Weder ..... D11/152  
 D369,989 S \* 5/1996 Weder ..... D11/164  
 D371,321 S \* 7/1996 Weder ..... D11/164  
 D373,069 S \* 8/1996 McCarthy ..... D8/354  
 D377,138 S \* 1/1997 Angelo ..... D7/672  
 D377,753 S \* 2/1997 Meadows ..... D8/373  
 D383,284 S \* 9/1997 Lines ..... D34/27  
 D385,335 S 10/1997 Caroen et al.  
 D391,195 S \* 2/1998 Weder ..... D11/164  
 D392,487 S \* 3/1998 Cambron ..... D6/566  
 6,044,993 A \* 4/2000 Yang ..... B65D 45/06  
 220/849  
 D438,739 S \* 3/2001 Gastelum ..... D6/535  
 D448,693 S \* 10/2001 Crafoord ..... D10/103  
 D450,512 S \* 11/2001 Gottwald ..... D6/535  
 D484,722 S \* 1/2004 Goodman ..... D6/546  
 D504,936 S \* 5/2005 Yeager ..... D23/213  
 D532,259 S \* 11/2006 Goodman ..... D7/637  
 D537,358 S \* 2/2007 Donegan ..... D9/661  
 D554,927 S \* 11/2007 Smith ..... D6/513  
 D586,447 S \* 2/2009 Thomas ..... D23/303  
 D587,894 S \* 3/2009 Wainwright ..... D3/10  
 D605,464 S \* 12/2009 McGuire ..... D9/434  
 D623,045 S \* 9/2010 Moncade ..... D8/354  
 D623,056 S \* 9/2010 Sessa ..... D9/434  
 D628,901 S 12/2010 Barnett et al.  
 D632,112 S \* 2/2011 Sakuma ..... D6/546  
 D688,530 S \* 8/2013 Sanders ..... D7/619.1  
 D689,171 S \* 9/2013 Morelock ..... D32/57  
 D705,572 S \* 5/2014 Goodman ..... D6/546  
 D713,492 S 9/2014 Sawchuk et al.  
 D719,343 S \* 12/2014 Ma ..... D3/10  
 D721,580 S 1/2015 Yamada et al.  
 D721,962 S \* 2/2015 Skaggs ..... D9/451  
 D743,162 S \* 11/2015 Adams ..... D3/10  
 D745,432 S \* 12/2015 Jawarski ..... D11/164  
 D753,490 S \* 4/2016 O'Donahue ..... D9/455  
 D754,963 S \* 5/2016 Austin ..... D3/10  
 D764,159 S \* 8/2016 Diamond ..... D3/10  
 D767,982 S \* 10/2016 Cox ..... D8/387  
 D771,869 S \* 11/2016 Dulien ..... D28/41  
 D776,488 S \* 1/2017 Brashears ..... D7/393  
 D792,278 S \* 7/2017 Jacobson ..... D11/164  
 D797,522 S \* 9/2017 Dobbs ..... D7/620  
 9,776,721 B2 \* 10/2017 Alford ..... B64C 1/1484  
 D813,525 S \* 3/2018 Ma ..... D3/10  
 D814,173 S \* 4/2018 Ma ..... D3/10  
 D822,435 S \* 7/2018 George ..... D7/354  
 D823,905 S \* 7/2018 Walters ..... D15/135  
 D824,485 S 7/2018 Montoya et al.  
 D836,431 S \* 12/2018 Frost ..... D8/396  
 D855,408 S \* 8/2019 Tsai ..... D7/600.1  
 D857,372 S \* 8/2019 Van Puyvelde ..... D3/10

D864,555 S \* 10/2019 Rak-Baede ..... D3/10  
 10,448,770 B1 \* 10/2019 Kempshall ..... F16B 2/10  
 D877,485 S \* 3/2020 Rampersaud ..... D3/10  
 D878,801 S \* 3/2020 Wang ..... D6/512  
 D891,146 S \* 7/2020 Seum ..... D6/549  
 D892,608 S \* 8/2020 Hu ..... D3/10  
 D897,881 S \* 10/2020 Ashton ..... D6/315  
 D907,473 S \* 1/2021 Bailey ..... D8/382  
 D915,102 S \* 4/2021 Sina ..... D6/546  
 D916,505 S \* 4/2021 Zhong ..... D6/546  
 D923,402 S \* 6/2021 Gulati ..... D7/402  
 D926,695 S \* 8/2021 Jung ..... D13/133  
 D934,683 S \* 11/2021 Stevenson ..... D9/455  
 D934,684 S \* 11/2021 Brayshaw ..... D9/455  
 D959,192 S \* 8/2022 Lin ..... D7/619.1  
 D966,880 S \* 10/2022 Lamb ..... D8/395  
 D970,291 S \* 11/2022 Wang ..... D7/392.1  
 D971,024 S \* 11/2022 Okonma ..... D9/451  
 2014/0373887 A1 \* 12/2014 Gray ..... A45B 9/04  
 135/77

OTHER PUBLICATIONS

Replacement Nozzle Flower Head for Pet Fountain: Site Visited (Jan. 25, 2023). Available from URL: [https://campaign.aliexpress.com/wow/gcp/tesla-pc-new/index?UTABTest=aliabtest344316\\_486351&\\_randl\\_currency=USD&\\_randl\\_shipto=US&src=google&src=google&albch=shopping&acnt=708-803-3821&slnk=&plac=&mtctp=&albbt=Google\\_7\\_shopping&albagn=888888&isSmbAutoCall=false&needSmbHouyi=false&albcp=1910.\\*](https://campaign.aliexpress.com/wow/gcp/tesla-pc-new/index?UTABTest=aliabtest344316_486351&_randl_currency=USD&_randl_shipto=US&src=google&src=google&albch=shopping&acnt=708-803-3821&slnk=&plac=&mtctp=&albbt=Google_7_shopping&albagn=888888&isSmbAutoCall=false&needSmbHouyi=false&albcp=1910.*)  
 Hohner Whistle Kit for Kettle: Announced (May 6, 2022). Site Visited (Jan. 25, 2023). Available from URL: [https://chantai.com/products/hohner-whistle-kit-for-classic-stainless-and-copper-kettles?variant=42422907863254&currency=USD&utm\\_medium=product\\_sync&utm\\_source=google&utm\\_content=sag\\_organic&utm\\_campaign=sag\\_organic&gclid=Cj0KCQiAw8OeBhCeARIsAGxWtUxF9LAPuLK11\\_xh21B6eanFZZLaJ-DM4hCtj1N3ROT\\_y6fu0BYbgxcaAg-XEALw\\_wcB.\\*](https://chantai.com/products/hohner-whistle-kit-for-classic-stainless-and-copper-kettles?variant=42422907863254&currency=USD&utm_medium=product_sync&utm_source=google&utm_content=sag_organic&utm_campaign=sag_organic&gclid=Cj0KCQiAw8OeBhCeARIsAGxWtUxF9LAPuLK11_xh21B6eanFZZLaJ-DM4hCtj1N3ROT_y6fu0BYbgxcaAg-XEALw_wcB.*)  
 Hemoton Kettle Whistle: Announced (Feb. 15, 2022). Site Visited (Jan. 25, 2023). Available from URL: [https://www.amazon.com/dp/B09SH32KWV/ref=sspa\\_dk\\_detail\\_2?psc=1&pd\\_rd\\_i=B09SH32KWV&pd\\_rd\\_w=10IRU&content-id=amzn1.sym.bff6e147-54ad-4be3-b4ea-ec19ea6167f7&pf\\_rd\\_p=bf6e147-54ad-4be3-b4ea-ec19ea6167f7&pf\\_rd\\_r=HE13E9JWYHVX0AKJZEBD&pd\\_rd\\_wg=GxPOu&pd\\_rd\\_r=a57e5dbb-b202-4671-bcf0-763cc8ca3c92&s=home-garden&sp\\_csd=d2lkZ.\\*](https://www.amazon.com/dp/B09SH32KWV/ref=sspa_dk_detail_2?psc=1&pd_rd_i=B09SH32KWV&pd_rd_w=10IRU&content-id=amzn1.sym.bff6e147-54ad-4be3-b4ea-ec19ea6167f7&pf_rd_p=bf6e147-54ad-4be3-b4ea-ec19ea6167f7&pf_rd_r=HE13E9JWYHVX0AKJZEBD&pd_rd_wg=GxPOu&pd_rd_r=a57e5dbb-b202-4671-bcf0-763cc8ca3c92&s=home-garden&sp_csd=d2lkZ.*)  
 Flower Shaped Sprinkler: Announced (Oct. 15, 2022). Site Visited (Jan. 25, 2023). Available from URL: [https://www.amazon.com/dp/BOBJ824246/ref=sspa\\_dk\\_detail\\_5?psc=1&pd\\_rd\\_i=BOBJ824246&pd\\_rd\\_w=9qne9&content-id=amzn1.sym.88097cb9-5064-44ef-891b-abfacbc1c44b&pf\\_Rd\\_p=88097cb9-5064-44ef-891b-abfacbc1c44b&pf\\_rd\\_r=HQGNEZHTW14KYFKGXVP8&pd\\_rd\\_wg=de1vy&pd\\_rd\\_r=067d7cf4-e5c3-48c0-b33b-b2b658f9f3ed&s=lawn-garden&sp\\_csd=d2lkZ.\\*](https://www.amazon.com/dp/BOBJ824246/ref=sspa_dk_detail_5?psc=1&pd_rd_i=BOBJ824246&pd_rd_w=9qne9&content-id=amzn1.sym.88097cb9-5064-44ef-891b-abfacbc1c44b&pf_Rd_p=88097cb9-5064-44ef-891b-abfacbc1c44b&pf_rd_r=HQGNEZHTW14KYFKGXVP8&pd_rd_wg=de1vy&pd_rd_r=067d7cf4-e5c3-48c0-b33b-b2b658f9f3ed&s=lawn-garden&sp_csd=d2lkZ.*)  
 Dancing Daisy Water Sprinkler: Site Visited (Jan. 25, 2023). Available from URL: [https://www.amazon.com/dp/B0BB6VJ13H/ref=sbl\\_dpx\\_outdoor-gardening-watering-sprinklers\\_B0B63PN6TS\\_0.\\*](https://www.amazon.com/dp/B0BB6VJ13H/ref=sbl_dpx_outdoor-gardening-watering-sprinklers_B0B63PN6TS_0.*)

\* cited by examiner

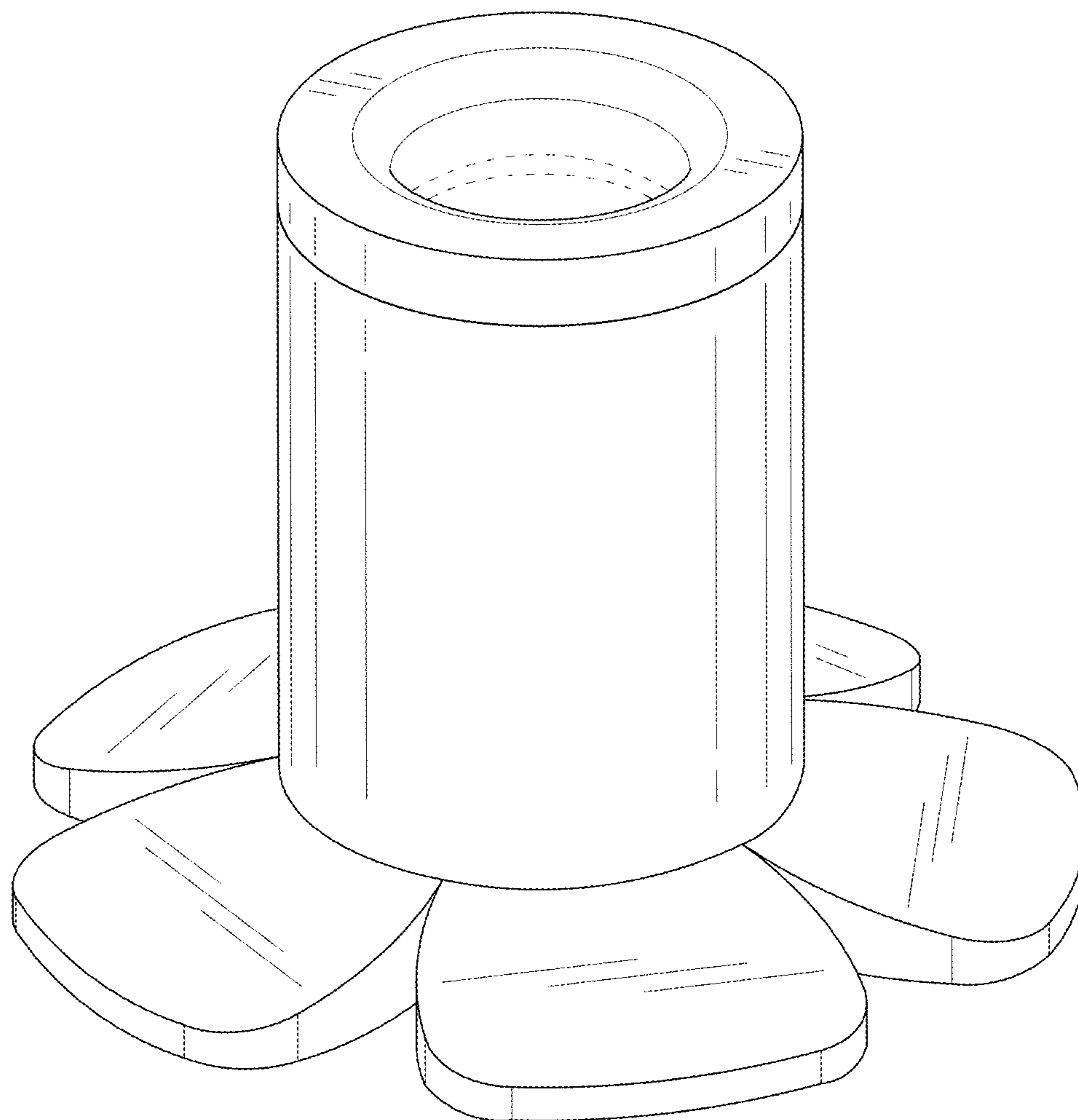


FIG. 1

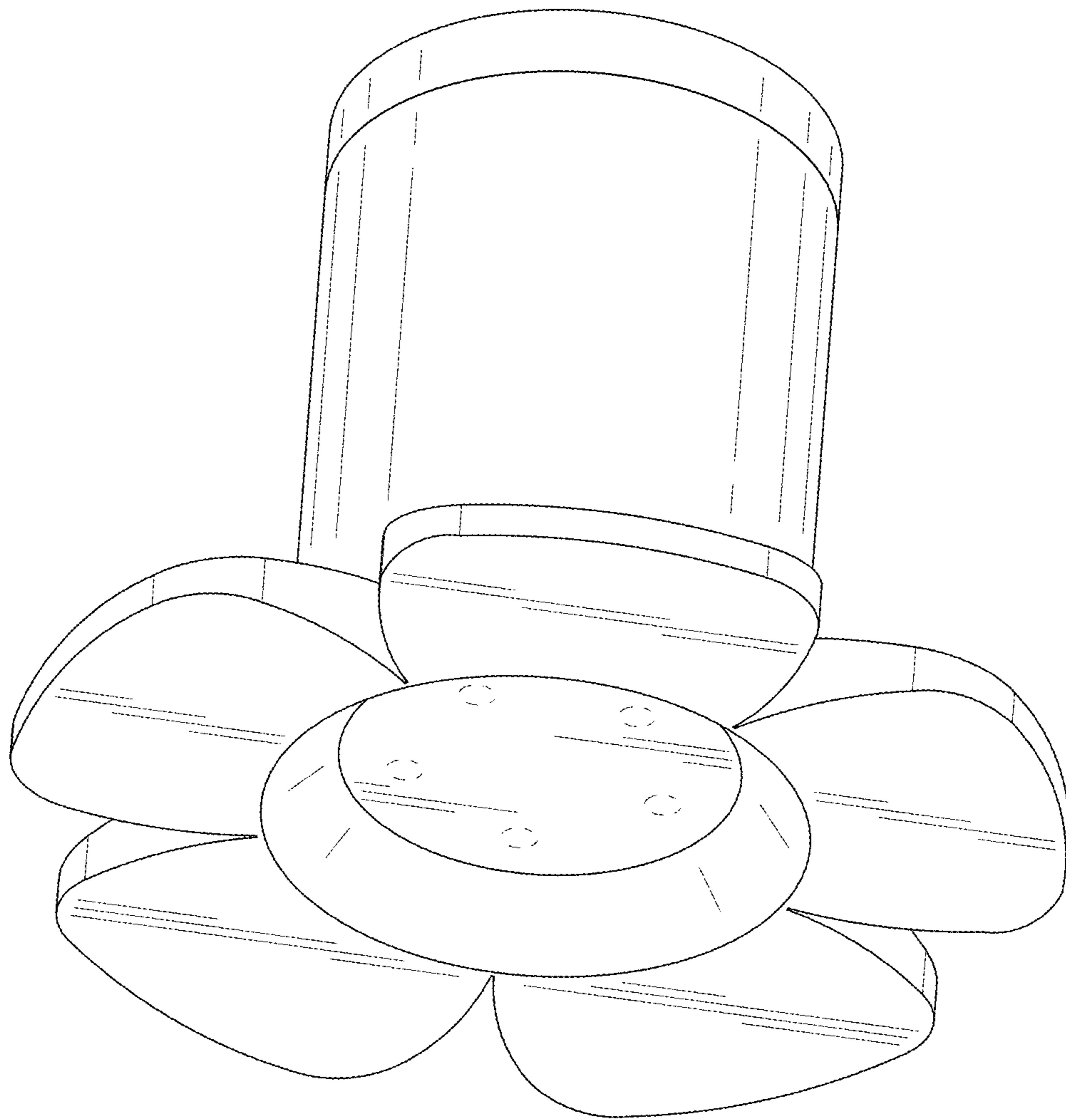


FIG. 2

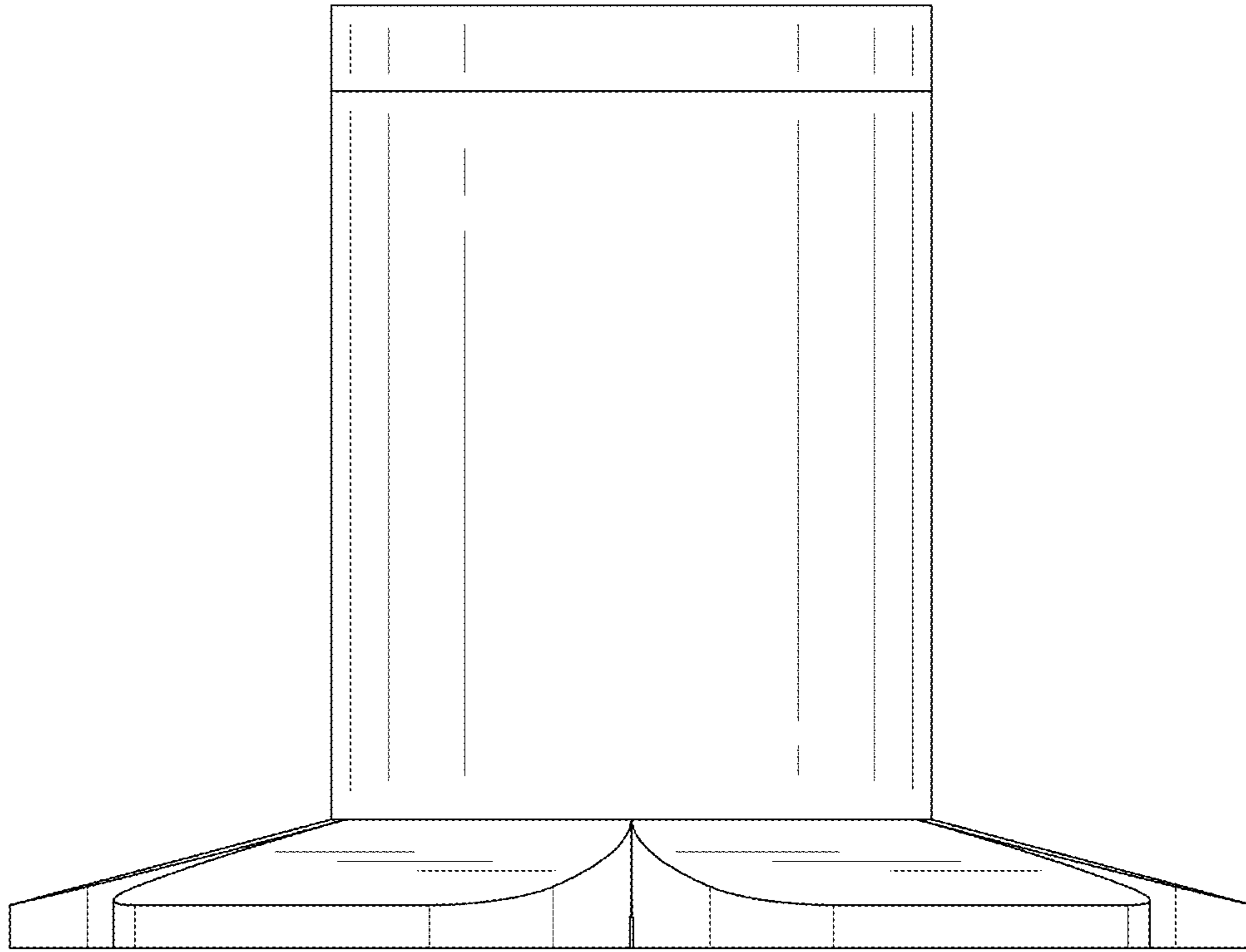


FIG. 3

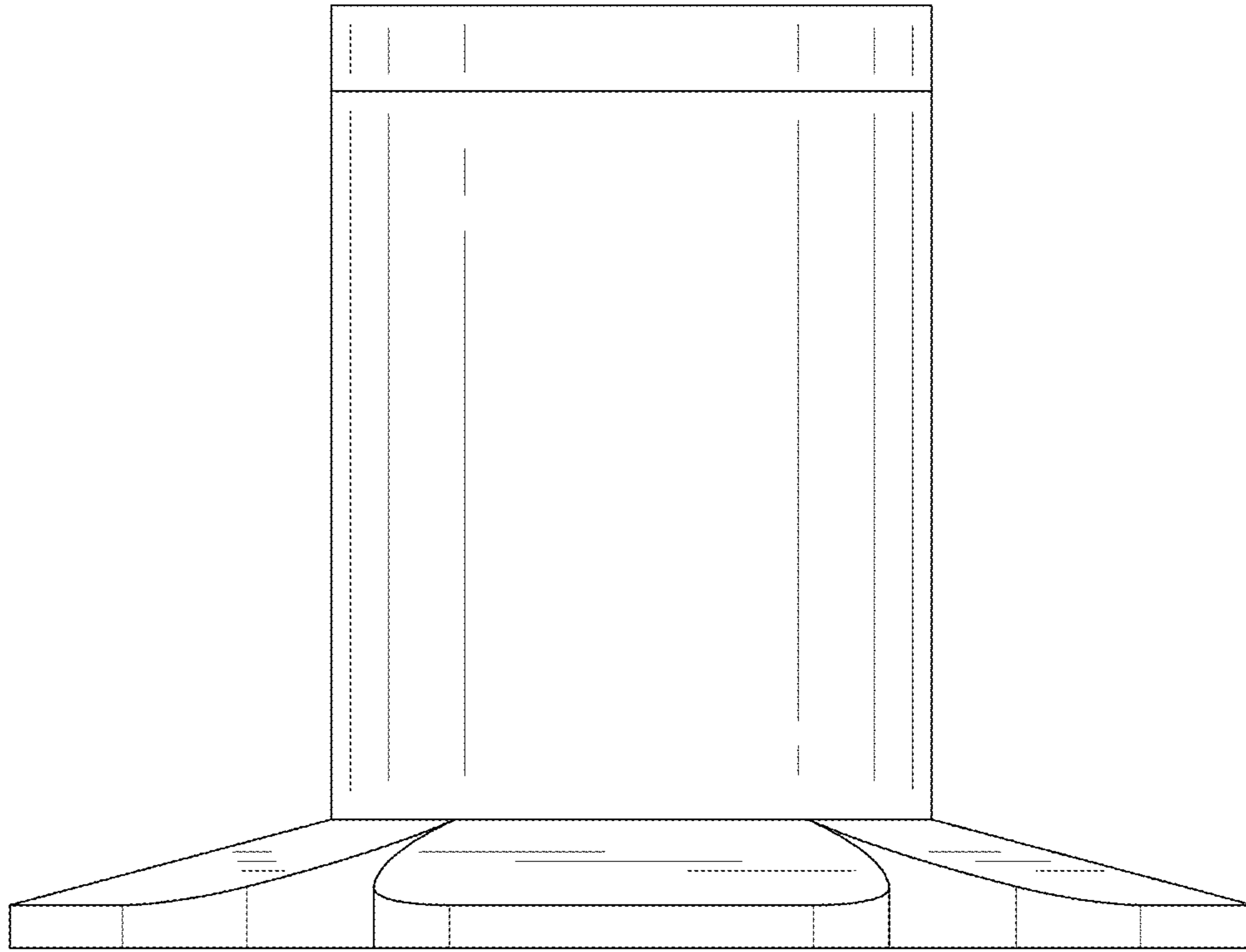


FIG. 4

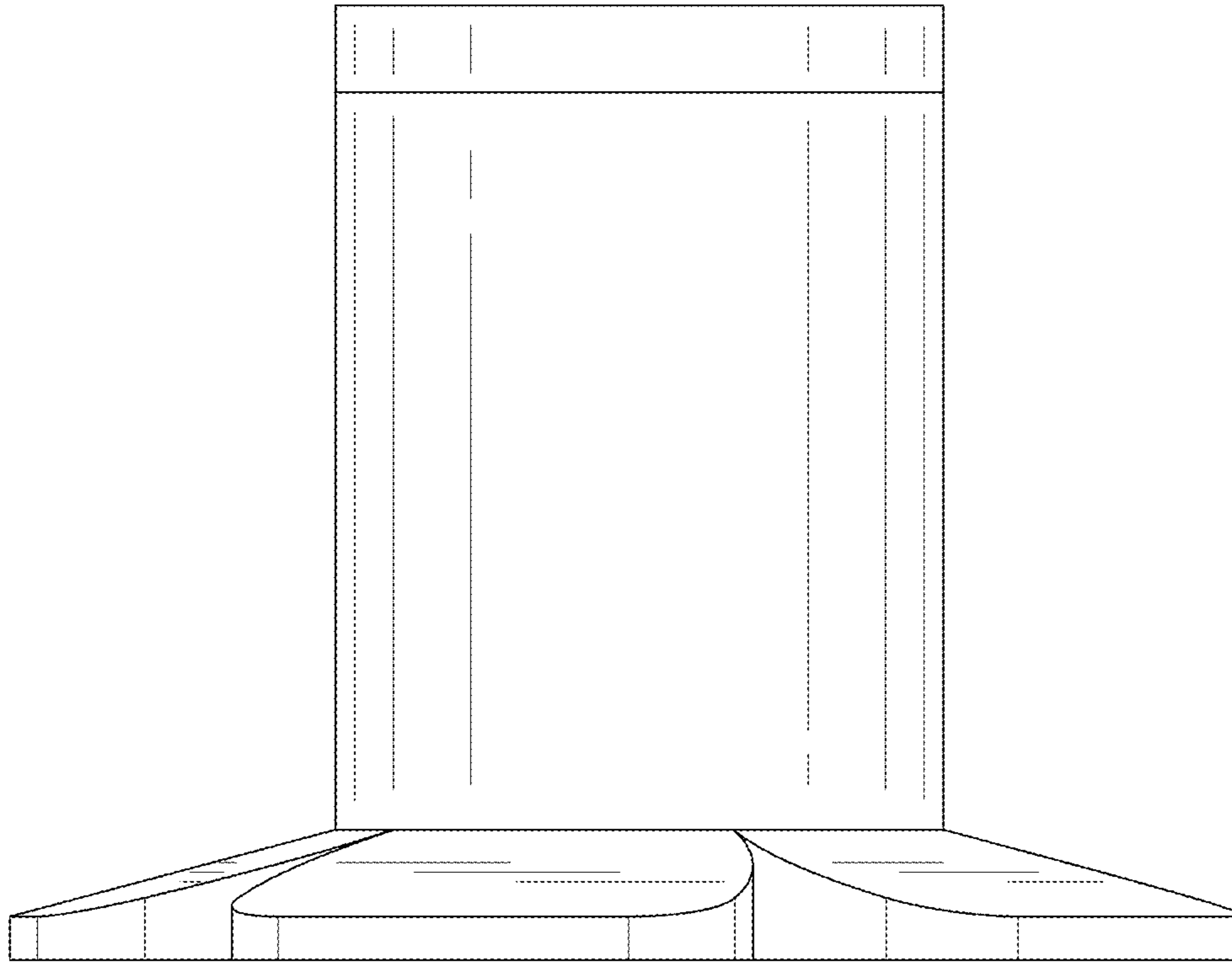


FIG. 5

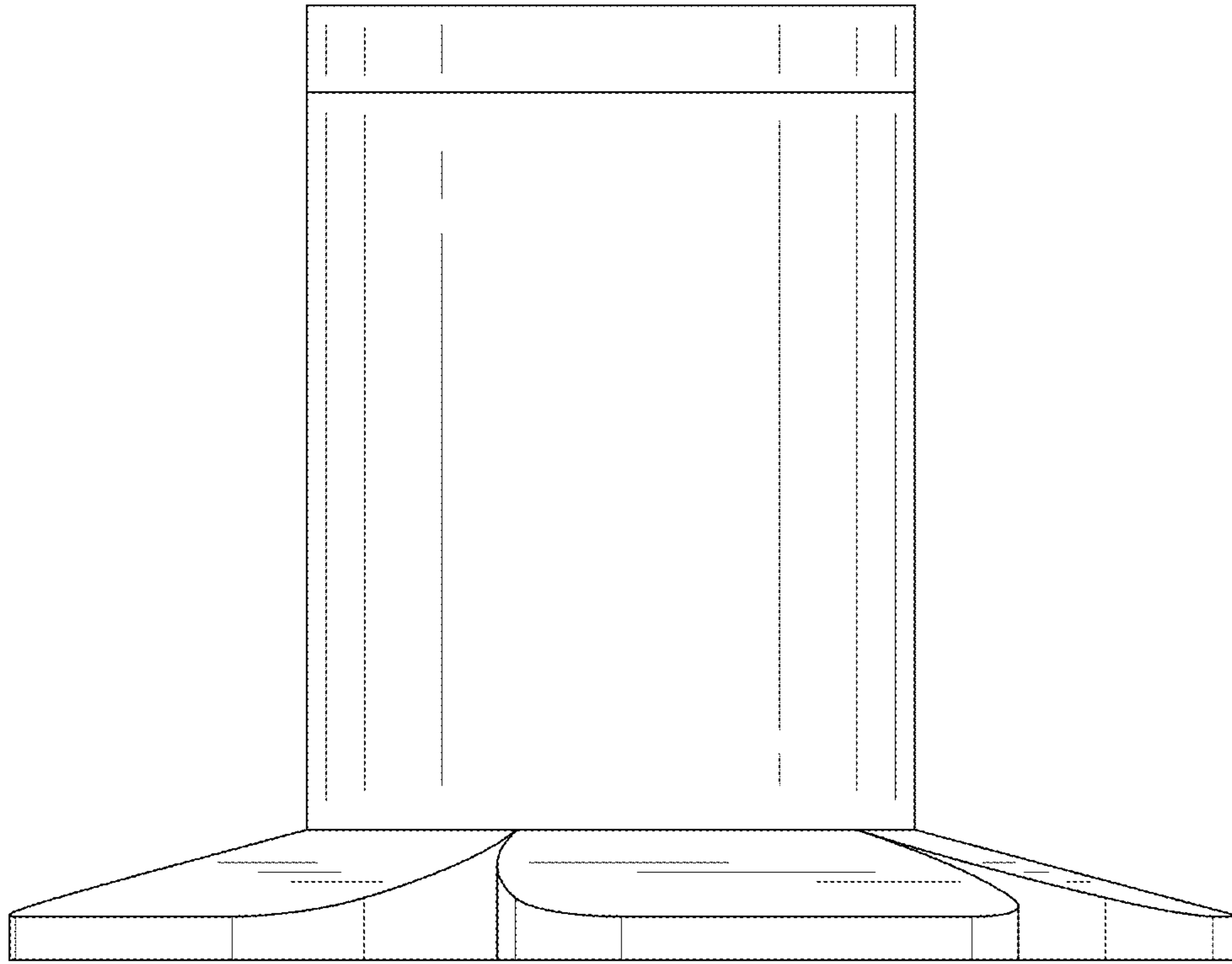


FIG. 6



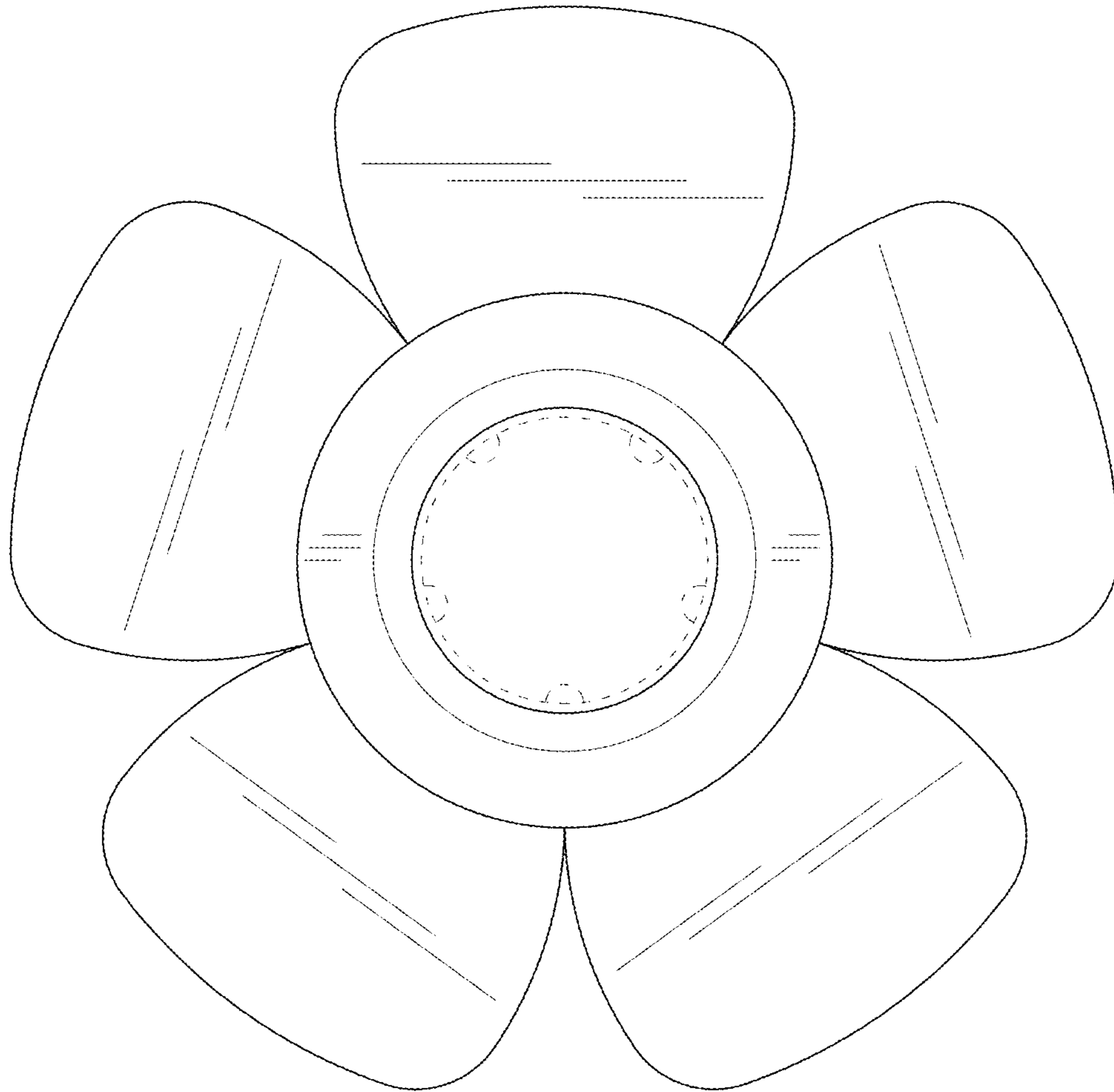


FIG. 7

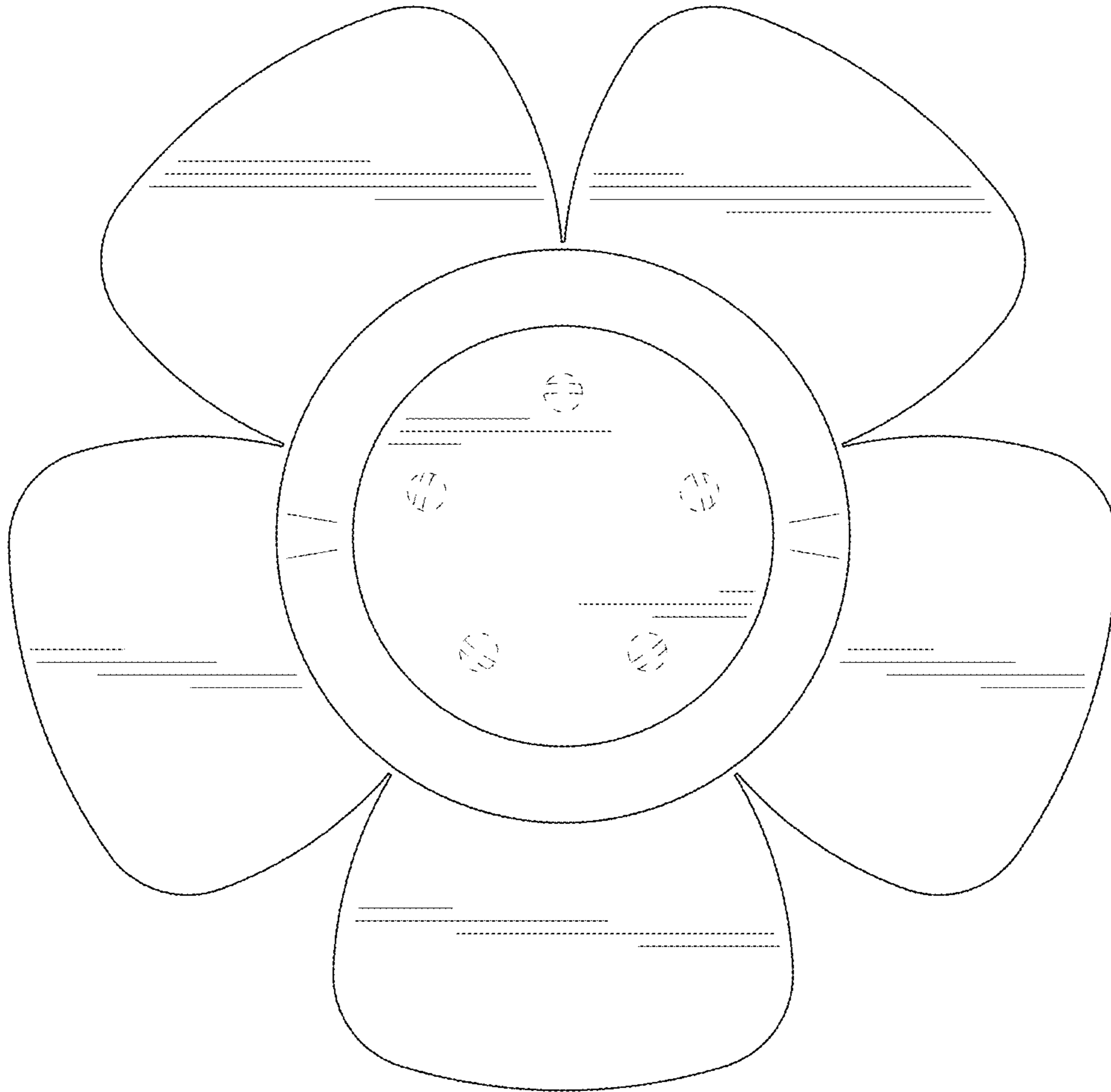


FIG. 8