



US00D983599S

(12) **United States Design Patent**
Kim et al.

(10) **Patent No.:** **US D983,599 S**
(45) **Date of Patent:** **** Apr. 18, 2023**

(54) **DRIPPER VALVE FOR DRIP COFFEE MACHINE**

(71) Applicant: **LG ELECTRONICS INC.**, Seoul (KR)

(72) Inventors: **Byeongkook Kim**, Seoul (KR); **Woonkyu Seo**, Seoul (KR); **Hanjin Jung**, Seoul (KR); **Hyun Choi**, Seoul (KR)

(73) Assignee: **LG ELECTRONICS INC.**, Seoul (KR)

(**) Term: **15 Years**

(21) Appl. No.: **29/798,354**

(22) Filed: **Jul. 7, 2021**

(30) **Foreign Application Priority Data**

Jan. 12, 2021 (KR) 30-2021-0001569

(51) **LOC (14) Cl.** **07-06**

(52) **U.S. Cl.**
USPC **D7/398**

(58) **Field of Classification Search**

USPC D7/306, 312, 313, 323, 387, 397, 398, D7/399, 400, 401; D9/428, 741; D23/209

CPC A47G 23/0216; A47G 19/2227; A47G 19/12; A47G 19/14; A47J 31/0573; A47J 31/02; A47J 31/50; A47J 31/057; A47J 31/42; A47J 31/4439; A47J 31/06; A47J 31/0621; A47J 31/106; B65D 85/8061; B65D 81/3876

See application file for complete search history.

(56) **References Cited**

U.S. PATENT DOCUMENTS

3,795,182 A * 3/1974 Van Damme B65D 85/8061 D7/400
4,666,724 A * 5/1987 DiLorenzo A47J 31/0621 D7/400

4,749,112 A * 6/1988 Harper A47G 23/0225 224/567
D424,167 S * 5/2000 Yuen D34/39
D462,233 S * 9/2002 Jørgensen D7/400
D516,393 S * 3/2006 Wickenhauser D7/701
D542,088 S * 5/2007 Albrecht D7/399
D614,444 S * 4/2010 Struzka A47J 31/0621 D7/399
D665,622 S * 8/2012 Ben-David D7/398

(Continued)

Primary Examiner — Joseph Kukella

Assistant Examiner — Darryl J Dardenne

(74) *Attorney, Agent, or Firm* — Birch, Stewart, Kolasch & Birch, LLP

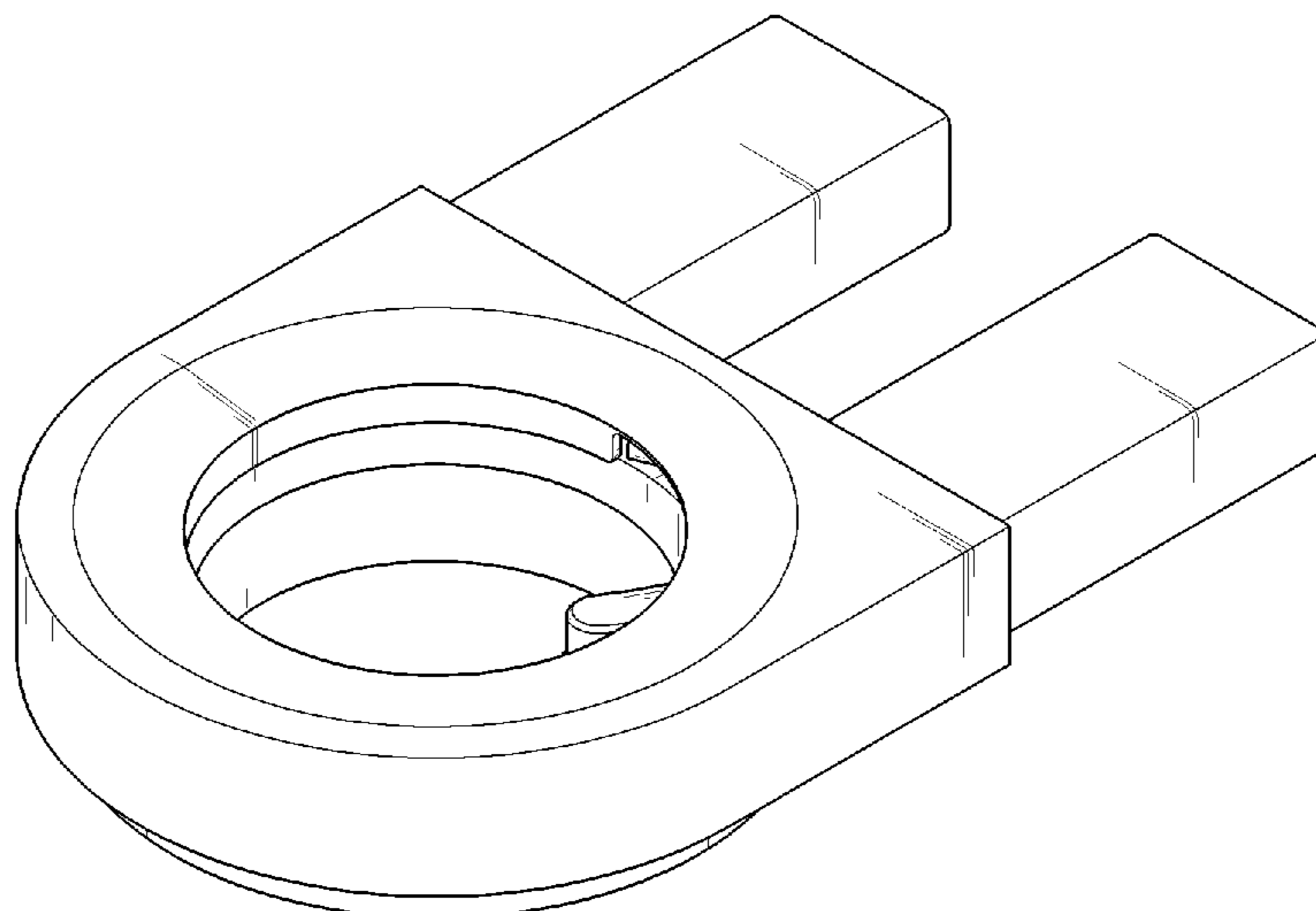
(57) **CLAIM**

We claim the ornamental design for a dripper valve for drip coffee machine, as shown and described.

DESCRIPTION

FIG. 1 is a front perspective view of a dripper valve for drip coffee machine showing a new design;
FIG. 2 is a bottom perspective view thereof;
FIG. 3 is a front view thereof;
FIG. 4 is a rear view thereof;
FIG. 5 is a left-side elevation view thereof;
FIG. 6 is a right-side elevation view thereof;
FIG. 7 is a top plan view thereof;
FIG. 8 is a bottom plan view thereof; and,
FIG. 9 is a perspective view showing a state of use thereof. The broken lines in FIG. 9 are for environment purpose only and form no part of the claimed design. The broken lines shown in the drawings illustrate portions of the dripper valve for drip coffee machine that form no part of the claimed design.

1 Claim, 9 Drawing Sheets



(56)

References Cited

U.S. PATENT DOCUMENTS

D665,624 S *	8/2012	Ben-David	D7/398
D666,456 S *	9/2012	Struzka	D7/399
D772,644 S *	11/2016	Kestenbaum	D7/399
D800,497 S *	10/2017	Fedorak	D7/399
D807,695 S *	1/2018	Durra	D7/399
D812,971 S *	3/2018	Moon	D7/398
D825,259 S *	8/2018	Durra	D7/399
D890,569 S *	7/2020	Fedorak	D7/400
D893,293 S *	8/2020	Fedorak	D7/400
D925,977 S *	7/2021	Lee	D7/400
D948,936 S *	4/2022	Fedorak	D7/400
D956,463 S *	7/2022	Kim	D7/311
D960,625 S *	8/2022	Kim	D7/311
2021/0022544 A1 *	1/2021	Gray	A47J 31/38

* cited by examiner

FIG. 1

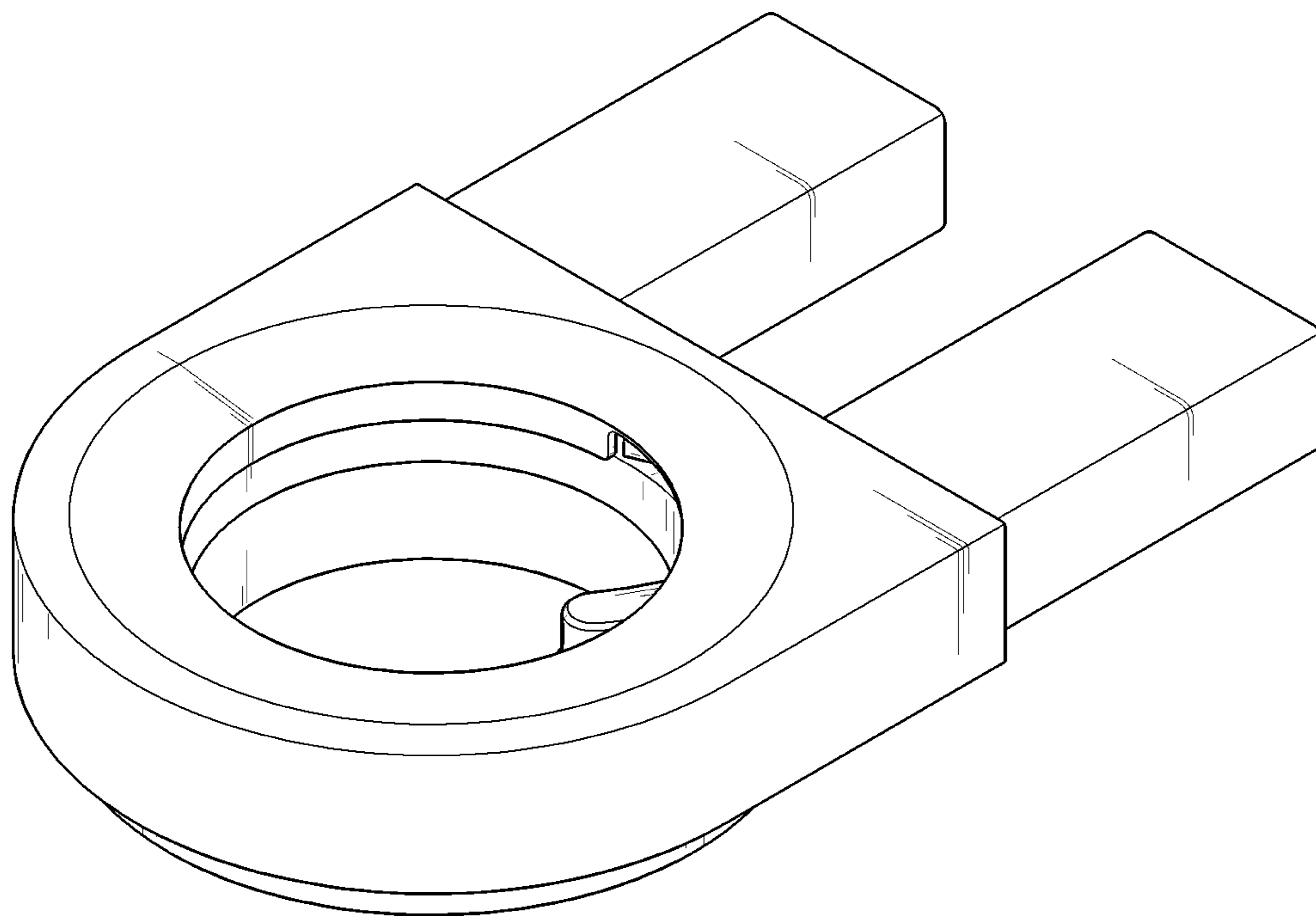


FIG. 2

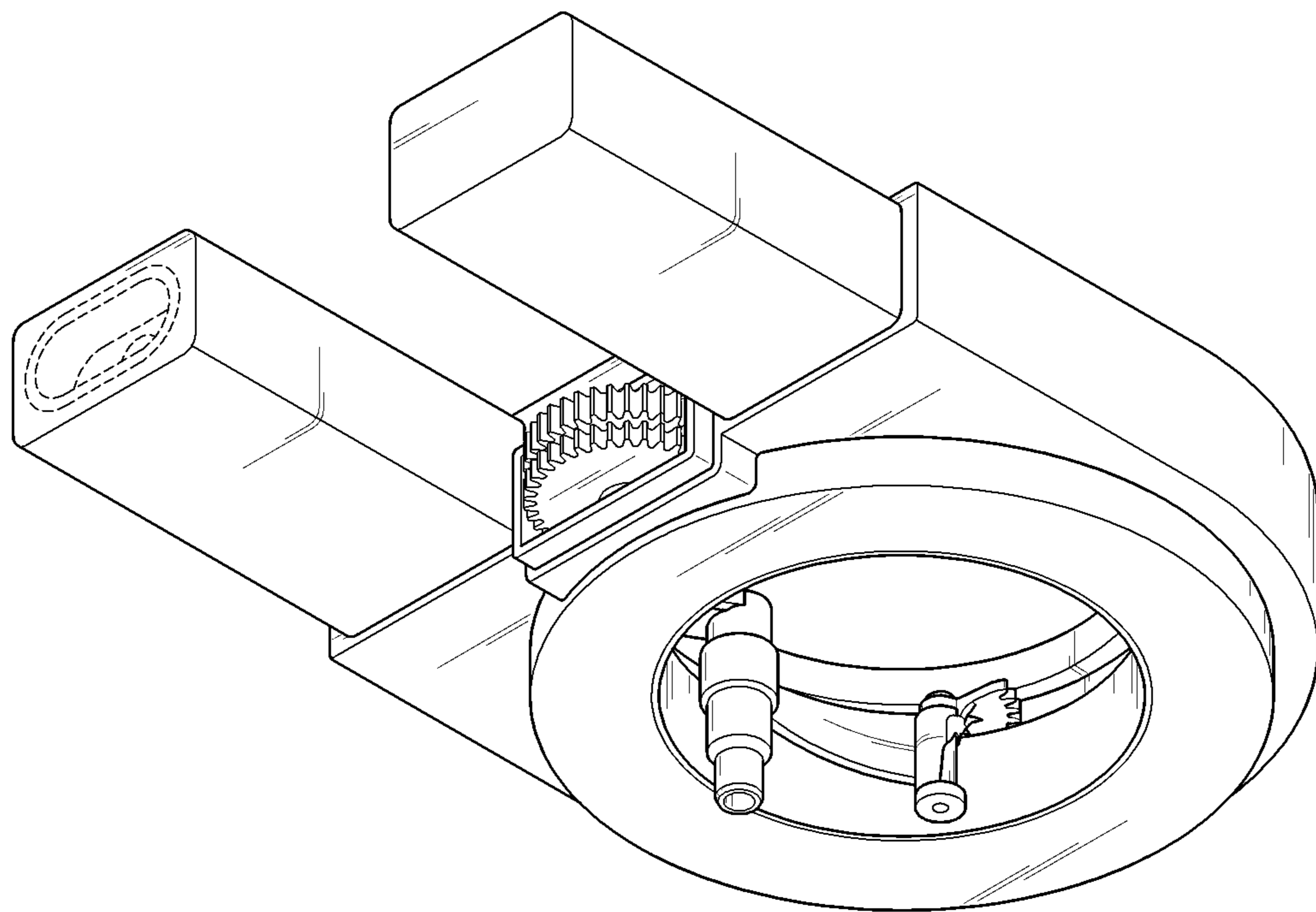


FIG. 3



FIG. 4

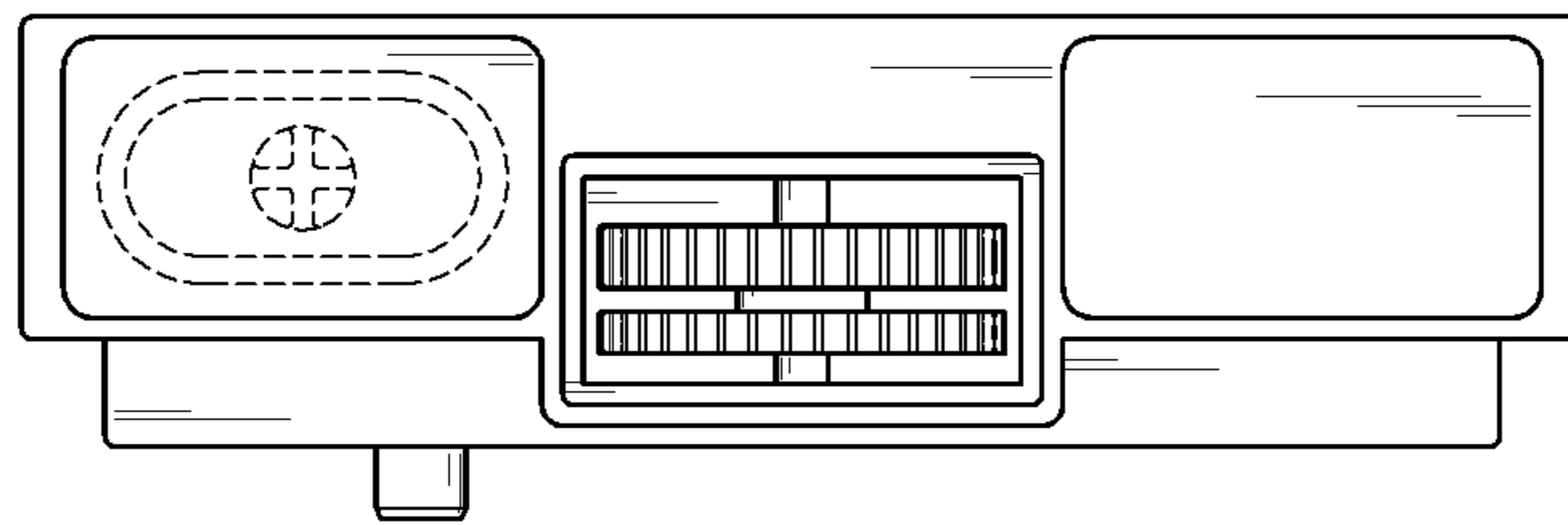


FIG. 5

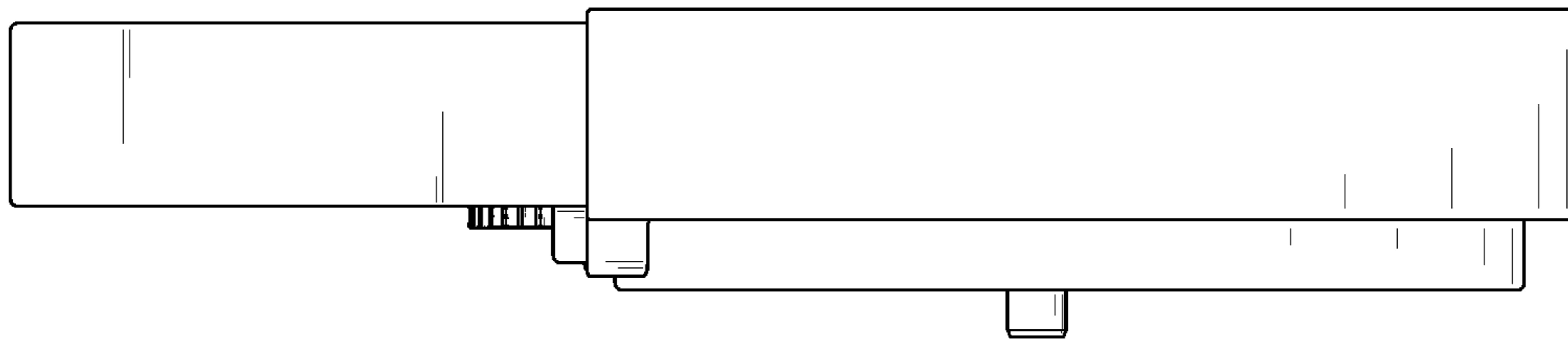


FIG. 6

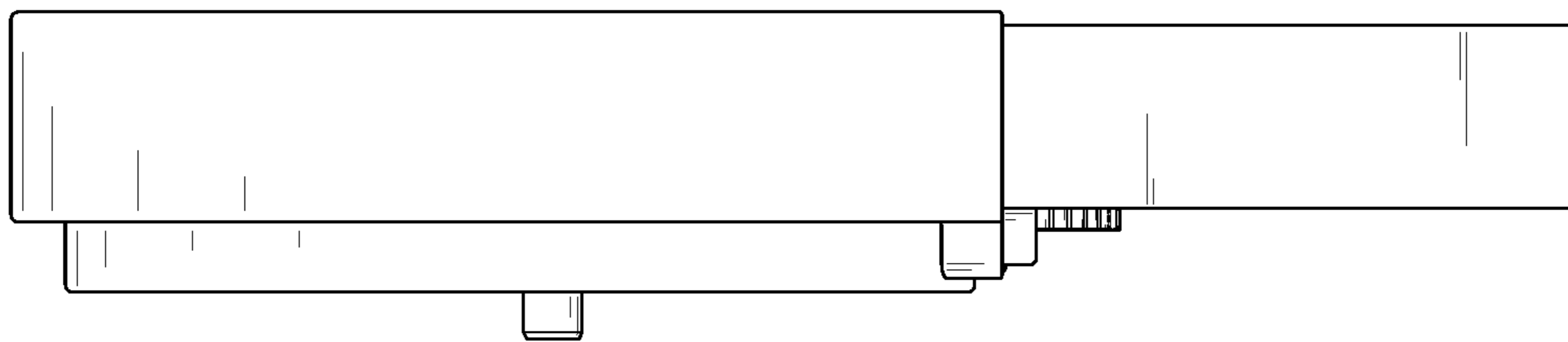


FIG. 7

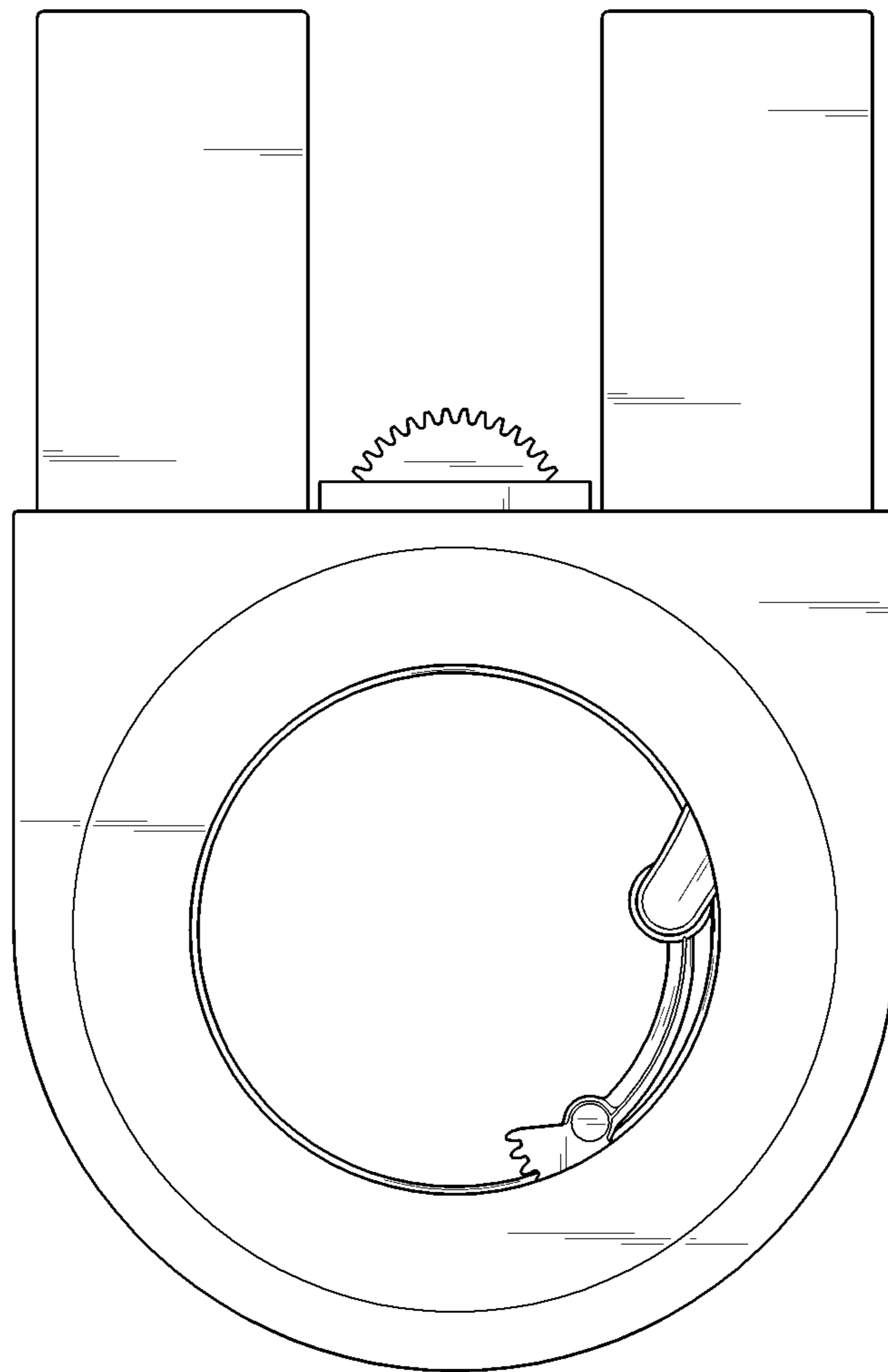


FIG. 8

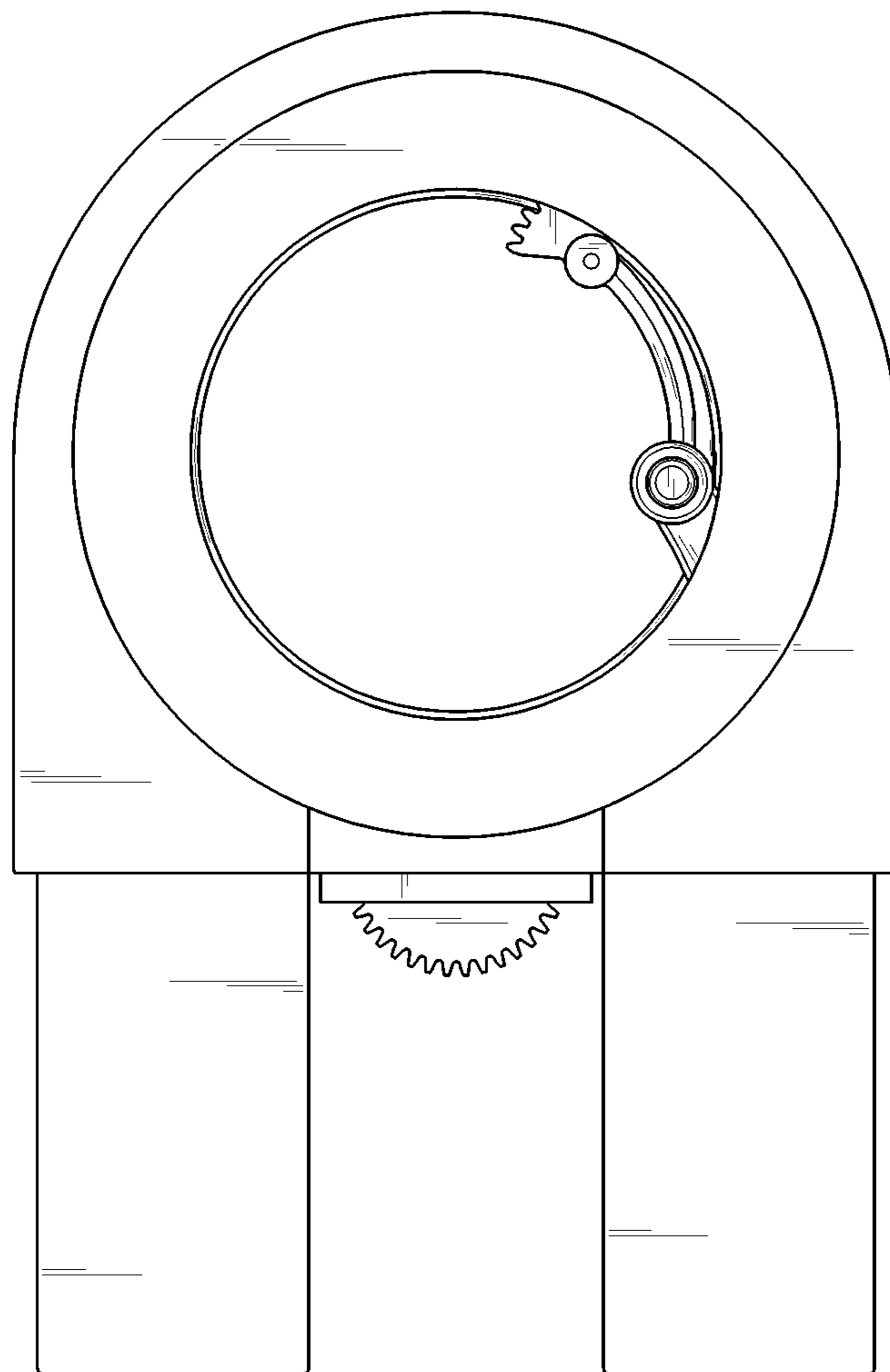


FIG. 9

