



US00D983597S

(12) **United States Design Patent** (10) **Patent No.:** **US D983,597 S**  
**Serrahima et al.** (45) **Date of Patent:** **\*\* Apr. 18, 2023**

- (54) **CAP**
- (71) Applicant: **Lifetime Brands, Inc.**, Garden City, NY (US)
- (72) Inventors: **Mario Quintana Serrahima**, Barcelona (ES); **Andrew Chung**, Wilton, CT (US); **Clay Allen Burns**, New York, NY (US)
- (73) Assignee: **Lifetime Brands, Inc.**, Garden City, NY (US)

D547,820 S 7/2007 Fraser et al.  
 D555,000 S \* 11/2007 Bunce ..... D9/688  
 D570,951 S 6/2008 Morita et al.  
 7,473,362 B1 1/2009 Nohren, Jr.  
 D588,411 S \* 3/2009 Watanabe ..... D7/510  
 (Continued)

FOREIGN PATENT DOCUMENTS

CA 147244 \* 2/2014  
 CN 305779349 \* 5/2020  
 (Continued)

OTHER PUBLICATIONS

[Contigo Autopop Water Bottle], available in amazon.com, date first available 12/361/2020 [online], [site visited Dec. 5, 2022], available from the internet URL: <https://www.amazon.com/dp/B08RSQX5HV/> (Year: 2020).\*

(Continued)

- (\*\*) Term: **15 Years**
- (21) Appl. No.: **29/769,918**
- (22) Filed: **Feb. 8, 2021**
- (51) **LOC (14) Cl.** ..... **07-99**
- (52) **U.S. Cl.**  
USPC ..... **D7/392.1; D7/396.2**
- (58) **Field of Classification Search**  
USPC ..... D7/300.1, 319, 378, 391, 392, 392.1, D7/396.2, 510, 511, 532, 589, 591  
CPC ..... A45F 3/16; A45F 3/18; A47G 19/2272; B65D 45/025; B65D 47/0871; B65D 83/205; B65D 83/206; B65D 41/04; G08B 7/06  
See application file for complete search history.

*Primary Examiner* — Jae Liang  
*Assistant Examiner* — Ji Sun Yoon  
 (74) *Attorney, Agent, or Firm* — Tutunjian & Bitetto, P.C.

(57) **CLAIM**  
 The ornamental design for a cap, as shown and described.

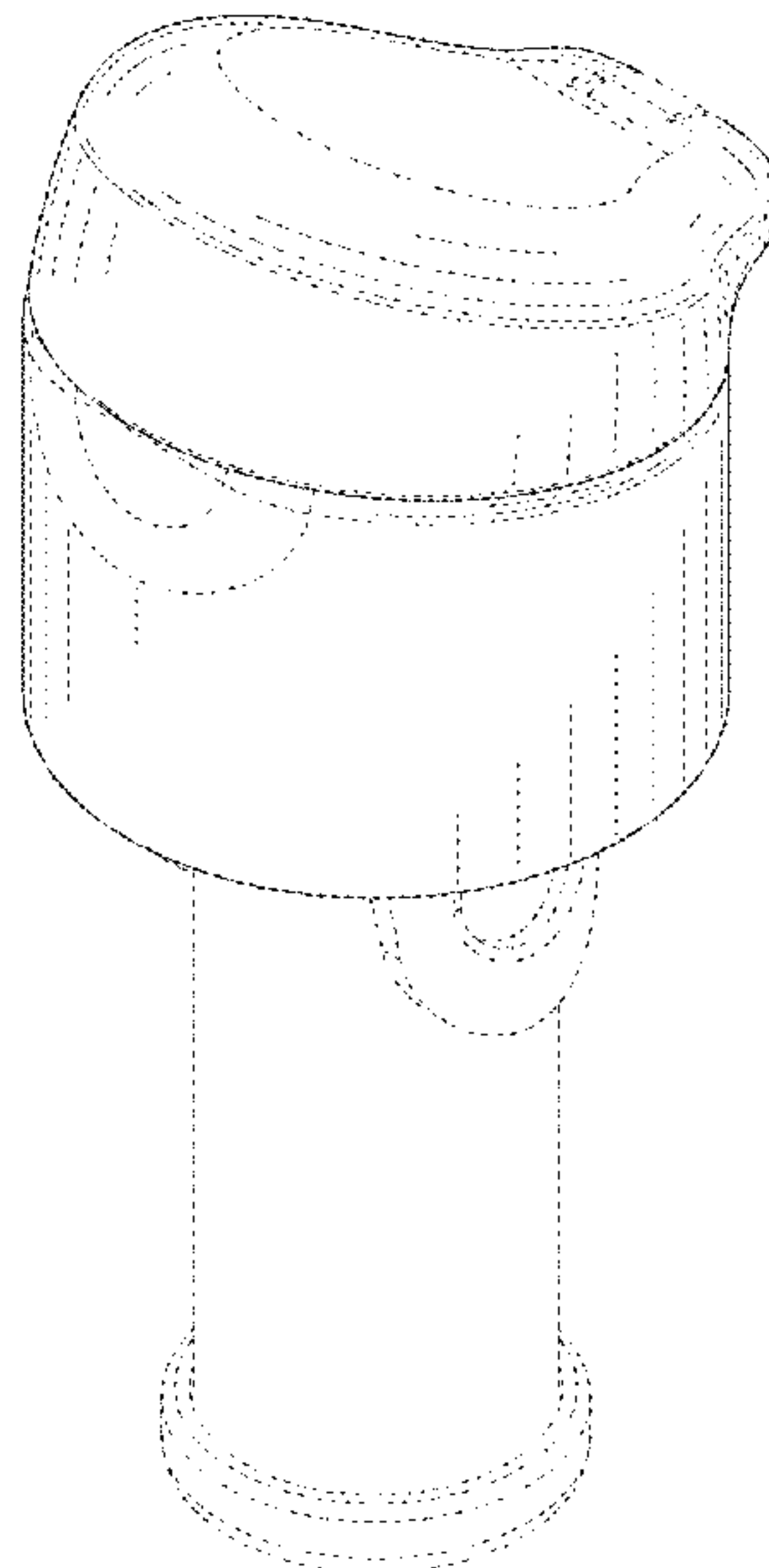
**DESCRIPTION**

FIG. 1 is a top perspective view of a cap.  
 FIG. 2 is a bottom perspective view of the cap of FIG. 1.  
 FIG. 3 is a front elevation view of the cap of FIG. 1.  
 FIG. 4 is a side elevation view of the cap of FIG. 1.  
 FIG. 5 is a rear elevation view of the cap of FIG. 1.  
 FIG. 6 is another side elevation view of the cap of FIG. 1.  
 FIG. 7 is a top plan view of the cap of FIG. 1; and  
 FIG. 8 is a bottom plan view of the cap of FIG. 1.  
 The evenly dotted broken lines in the figures illustrate unclaimed features of the cap and form no part of the claimed design.

(56) **References Cited**  
 U.S. PATENT DOCUMENTS

- D184,567 S \* 3/1959 Keck et al. .... D7/591
- D451,023 S 11/2001 Kitamura et al.
- D489,613 S 5/2004 Campbell et al.
- 7,073,678 B1 \* 7/2006 Dibdin ..... A47G 19/2272  
222/548
- D533,061 S 12/2006 Li
- D538,110 S 3/2007 Kitamura et al.
- D540,189 S 4/2007 Larocca

**1 Claim, 7 Drawing Sheets**



(56)

References Cited

U.S. PATENT DOCUMENTS

D596,459 S 7/2009 Ghiassi  
 D596,460 S 7/2009 Nezu  
 D596,703 S 7/2009 Mckinney  
 D608,640 S 1/2010 Carreno  
 7,713,483 B2 5/2010 Maiden  
 D618,508 S \* 6/2010 George ..... D7/319  
 D623,473 S \* 9/2010 Chen ..... D7/510  
 D631,285 S 1/2011 Smiedt et al.  
 D631,286 S 1/2011 Smiedt et al.  
 D640,555 S 6/2011 Williams et al.  
 D641,241 S 7/2011 Goto et al.  
 D642,658 S 8/2011 Cumberland et al.  
 D654,559 S 2/2012 Kruckenberg et al.  
 D654,562 S 2/2012 Kruckenberg et al.  
 D654,563 S 2/2012 Kruckenberg et al.  
 D654,564 S 2/2012 Kruckenberg et al.  
 D654,566 S 2/2012 Kruckenberg et al.  
 D655,377 S 3/2012 Kruckenberg et al.  
 8,147,685 B2 4/2012 Pritchard  
 8,182,683 B1 5/2012 Allen  
 D661,582 S 6/2012 Gatrost et al.  
 8,245,870 B2 8/2012 Mckinney et al.  
 D667,268 S \* 9/2012 Pallotto ..... D7/510  
 D667,694 S \* 9/2012 Meyers ..... D7/510  
 D668,740 S 10/2012 Kulikov et al.  
 8,277,666 B2 10/2012 Sturgess  
 D675,059 S 1/2013 Carreno  
 D675,060 S 1/2013 Lane  
 D676,708 S 2/2013 Lane  
 D686,872 S 7/2013 Lane  
 D690,557 S 10/2013 Carreno et al.  
 D690,558 S 10/2013 Lane  
 D695,069 S 12/2013 Lane  
 8,597,512 B2 12/2013 Sturgess  
 8,622,229 B2 1/2014 Lane  
 D702,551 S 4/2014 Wisniewski et al.  
 D718,626 S 12/2014 Lane  
 8,926,840 B2 1/2015 Hull et al.  
 8,939,305 B2 \* 1/2015 Meyers ..... B65D 47/0871  
 220/834  
 D721,958 S 2/2015 Hamway  
 8,985,370 B2 3/2015 Lane  
 9,004,292 B2 4/2015 Carter et al.  
 D736,622 S 8/2015 Nishijima et al.  
 D739,183 S 9/2015 Lane  
 D741,655 S \* 10/2015 Whelan ..... D7/300.1  
 D747,918 S 1/2016 Herbst et al.  
 D748,942 S \* 2/2016 Boroski ..... D7/378  
 D748,949 S \* 2/2016 Long, Sr. .... D7/510  
 D751,337 S \* 3/2016 Boroski ..... D7/378  
 D752,977 S 4/2016 Herbst et al.  
 D753,791 S 4/2016 Rashid et al.  
 D755,345 S 5/2016 Lüthi  
 D756,778 S 5/2016 Velmer et al.  
 D758,790 S 6/2016 Boroski  
 D761,058 S \* 7/2016 Ou ..... D7/510  
 9,469,550 B2 10/2016 Closi, Jr. et al.  
 D778,117 S 2/2017 Du  
 D778,118 S 2/2017 Du  
 D780,578 S 3/2017 Lane et al.

9,636,613 B2 5/2017 Hayslett et al.  
 9,656,191 B2 5/2017 Hull et al.  
 D790,338 S 6/2017 Cook et al.  
 D790,343 S 6/2017 Velmer et al.  
 9,675,191 B2 6/2017 Kurabe et al.  
 D793,804 S 8/2017 Herbst et al.  
 D794,453 S 8/2017 Boroski et al.  
 D797,516 S \* 9/2017 Meyers ..... D7/589  
 9,833,731 B2 12/2017 Carter et al.  
 9,902,533 B2 \* 2/2018 Meyers ..... B65D 45/025  
 D818,767 S 5/2018 Nezu  
 10,105,004 B2 10/2018 Salas-de La Cruz et al.  
 D842,039 S \* 3/2019 Dongguan ..... D7/532  
 10,258,911 B2 4/2019 Park et al.  
 D856,141 S 8/2019 Jasso Gomez  
 D869,230 S 12/2019 Hao  
 D872,520 S 1/2020 Waggoner et al.  
 D885,124 S 5/2020 Yessin et al.  
 D888,194 S 6/2020 Cordova et al.  
 D890,564 S 7/2020 Hao  
 10,702,046 B2 7/2020 Rajan et al.  
 D901,621 S 11/2020 Breitenmoser  
 D902,648 S 11/2020 Wang  
 10,822,249 B2 11/2020 Mcdonald et al.  
 D909,810 S \* 2/2021 Lin ..... D7/392.1  
 D925,286 S \* 7/2021 Lown ..... D7/510  
 2003/0136783 A1 7/2003 Hatsumoto et al.  
 2012/0255890 A1 10/2012 Cumberland  
 2013/0277290 A1 10/2013 Cumberland  
 2016/0096740 A1 4/2016 Salloum  
 2016/0376165 A1 12/2016 Dani et al.  
 2017/0267423 A1 9/2017 Maruyama et al.  
 2017/0297785 A1 10/2017 Maruyama et al.  
 2018/0044201 A1 2/2018 Metaxatos et al.  
 2020/0008605 A1 \* 1/2020 Maloni ..... A45F 3/18  
 2020/0138212 A1 5/2020 Nishijima et al.  
 2020/0189932 A1 6/2020 Cordova  
 2020/0229579 A1 7/2020 Rajan et al.  
 2022/0218137 A1 \* 7/2022 Iverson ..... G08B 7/06

FOREIGN PATENT DOCUMENTS

WO 2007144160 12/2007  
 WO 2014011514 1/2014  
 WO 2014189958 11/2014  
 WO 2015094762 6/2015  
 WO 2016144722 9/2016  
 WO 2019094229 5/2019  
 WO 2020189950 9/2020

OTHER PUBLICATIONS

[Stainless King Drink Bottle 24oz], available in [thermos.com](https://thermos.com), customer review oldest date Sep. 13, 2017 [online], [site visited Dec. 5, 2022], available from the internet URL: <https://thermos.com/products/stainless-king-drink-bottle-24oz> (Year: 2017).\*  
 [S'well Filter Cap with Protective Cap], available in [Amazon.com](https://www.amazon.com), date first available Jul. 2, 2021 [online], [site visited Jan. 11, 2023], available from the internet URL: <https://www.amazon.com/Swell-Filter-Cap-Protective-Particulates/dp/B098JZ3BXS> (Year: 2021).\*

\* cited by examiner

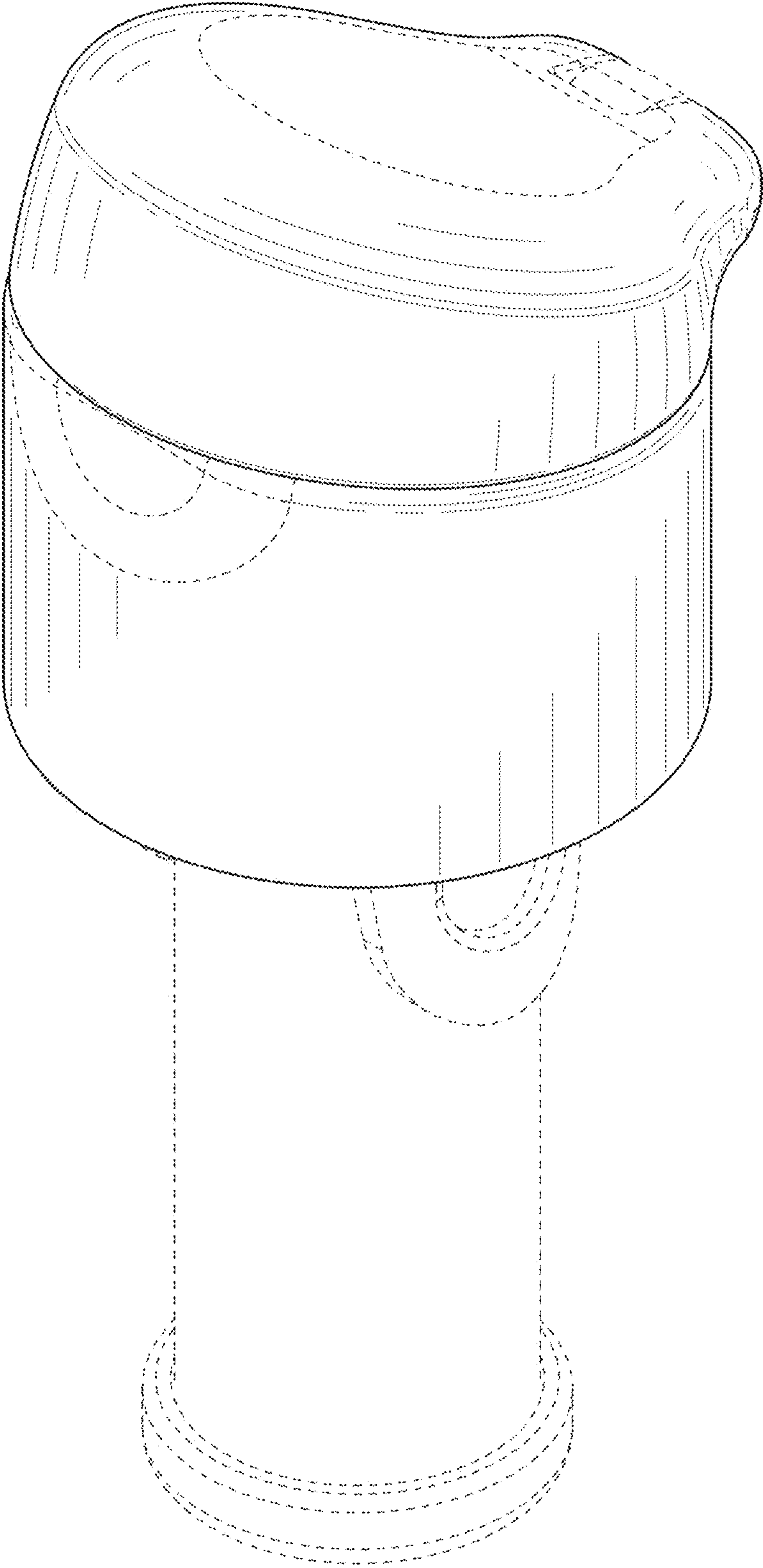


FIG. 1



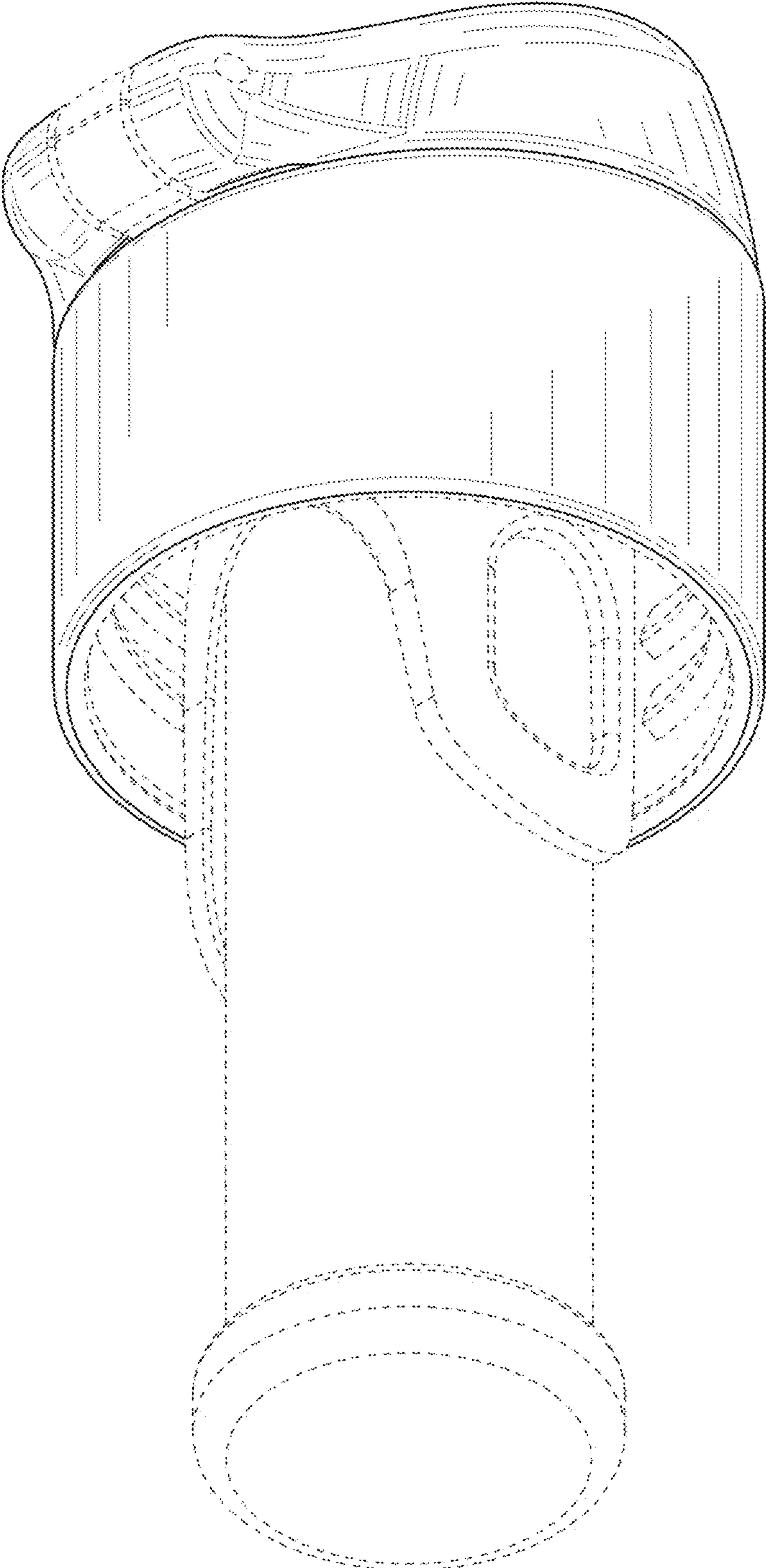


FIG. 2

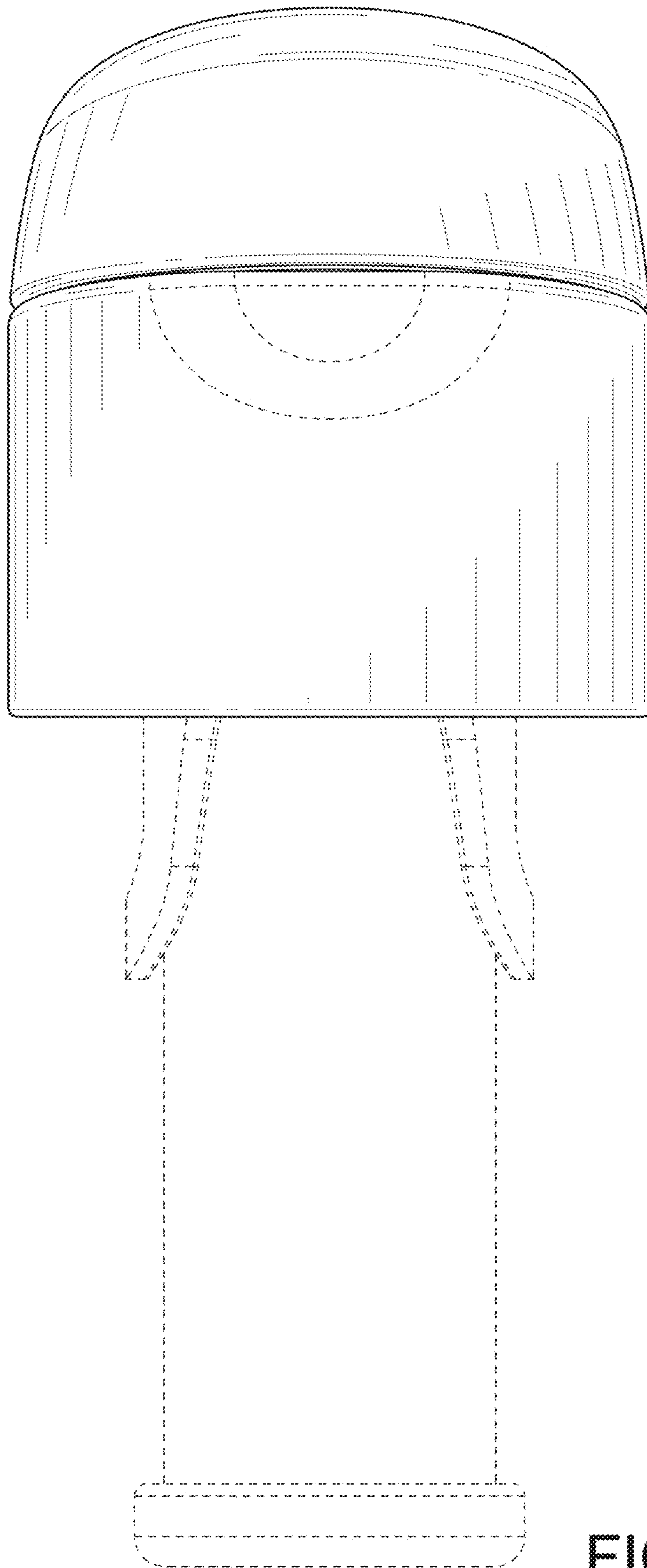


FIG. 3

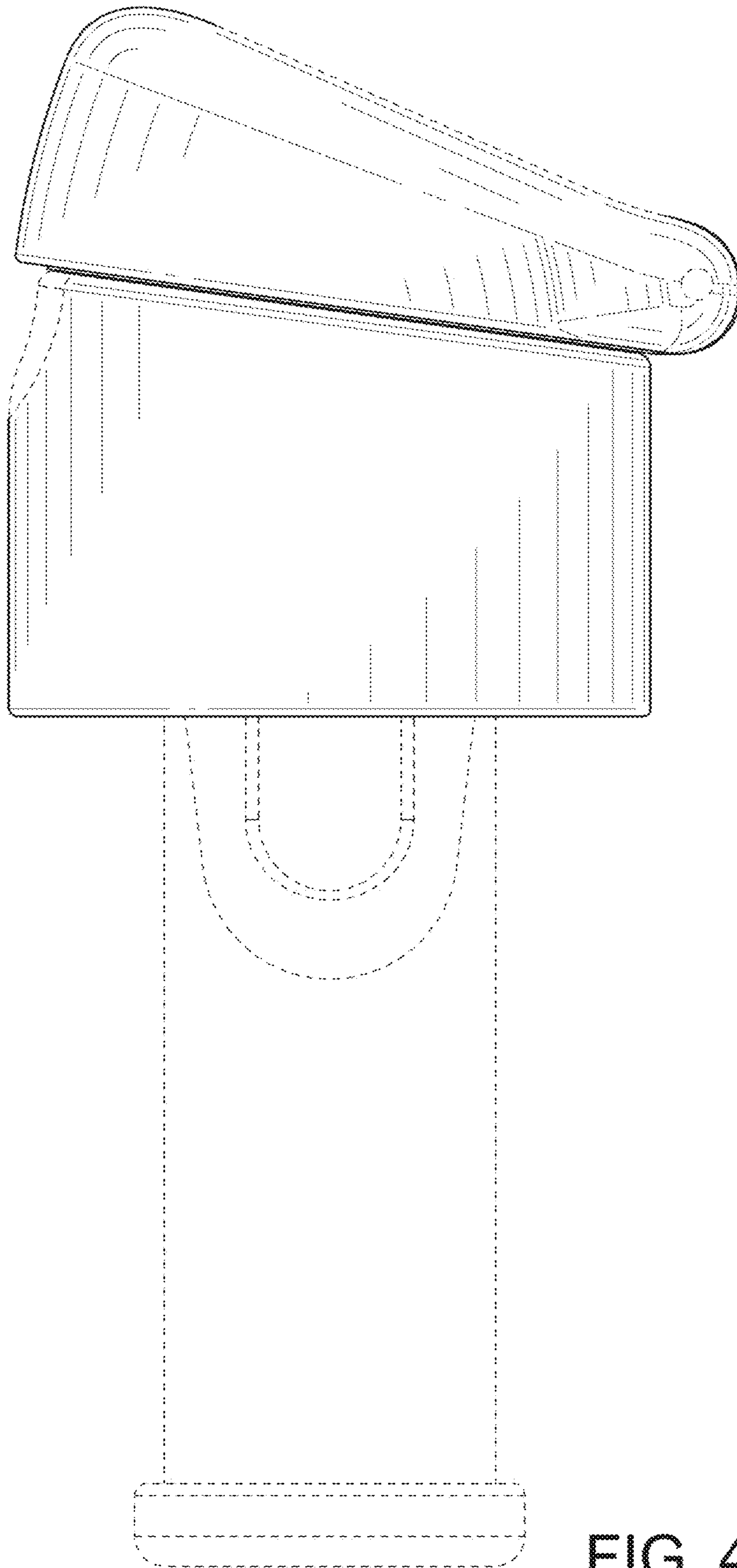


FIG. 4

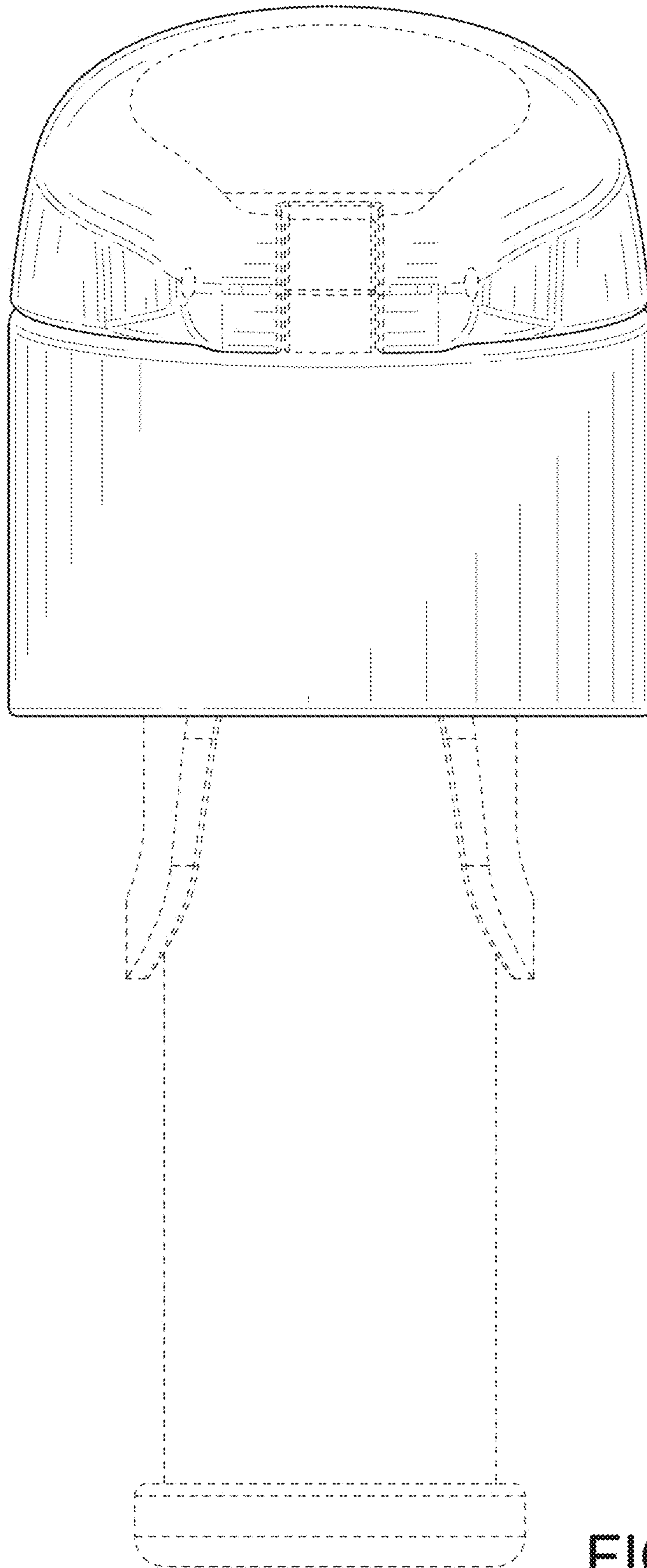


FIG. 5

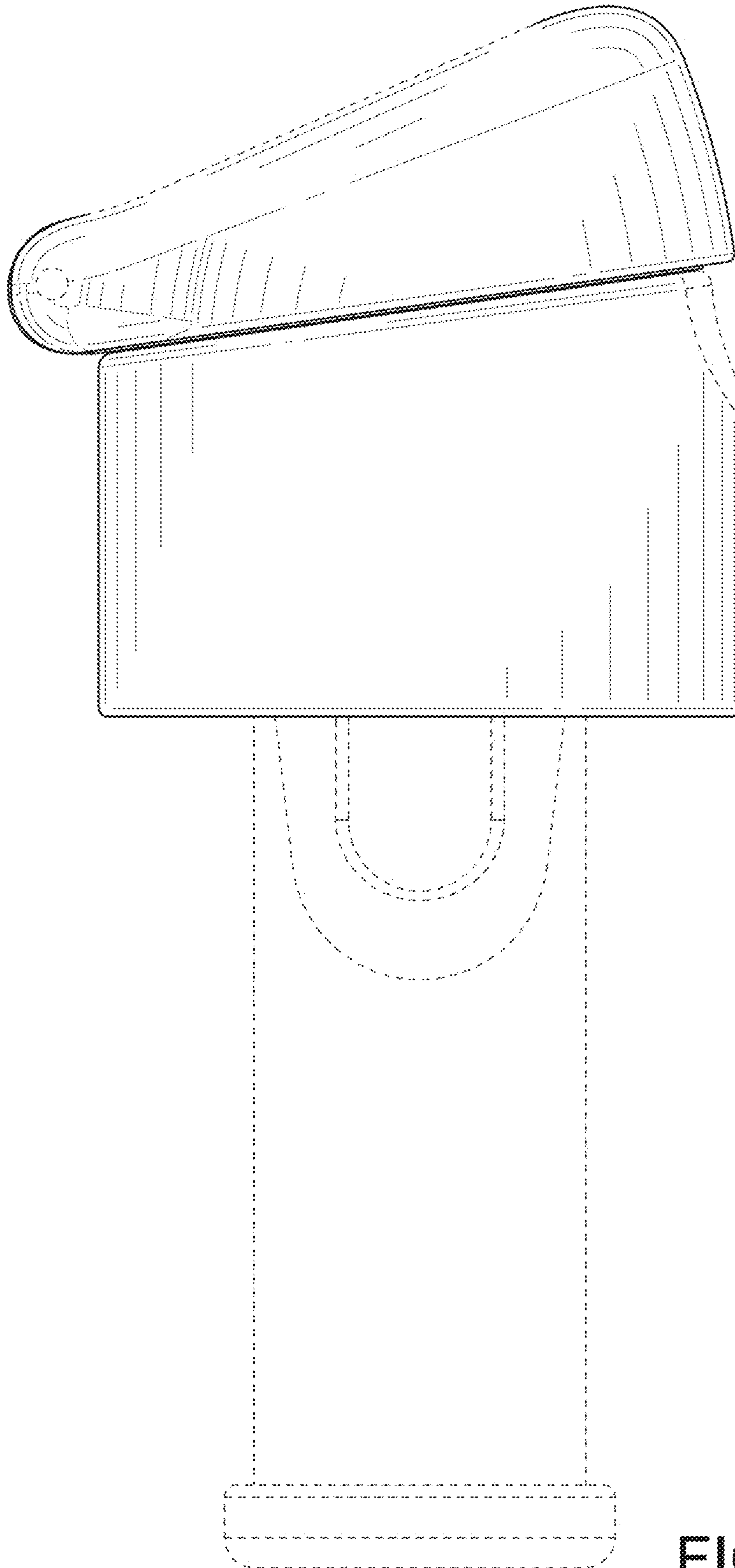


FIG. 6



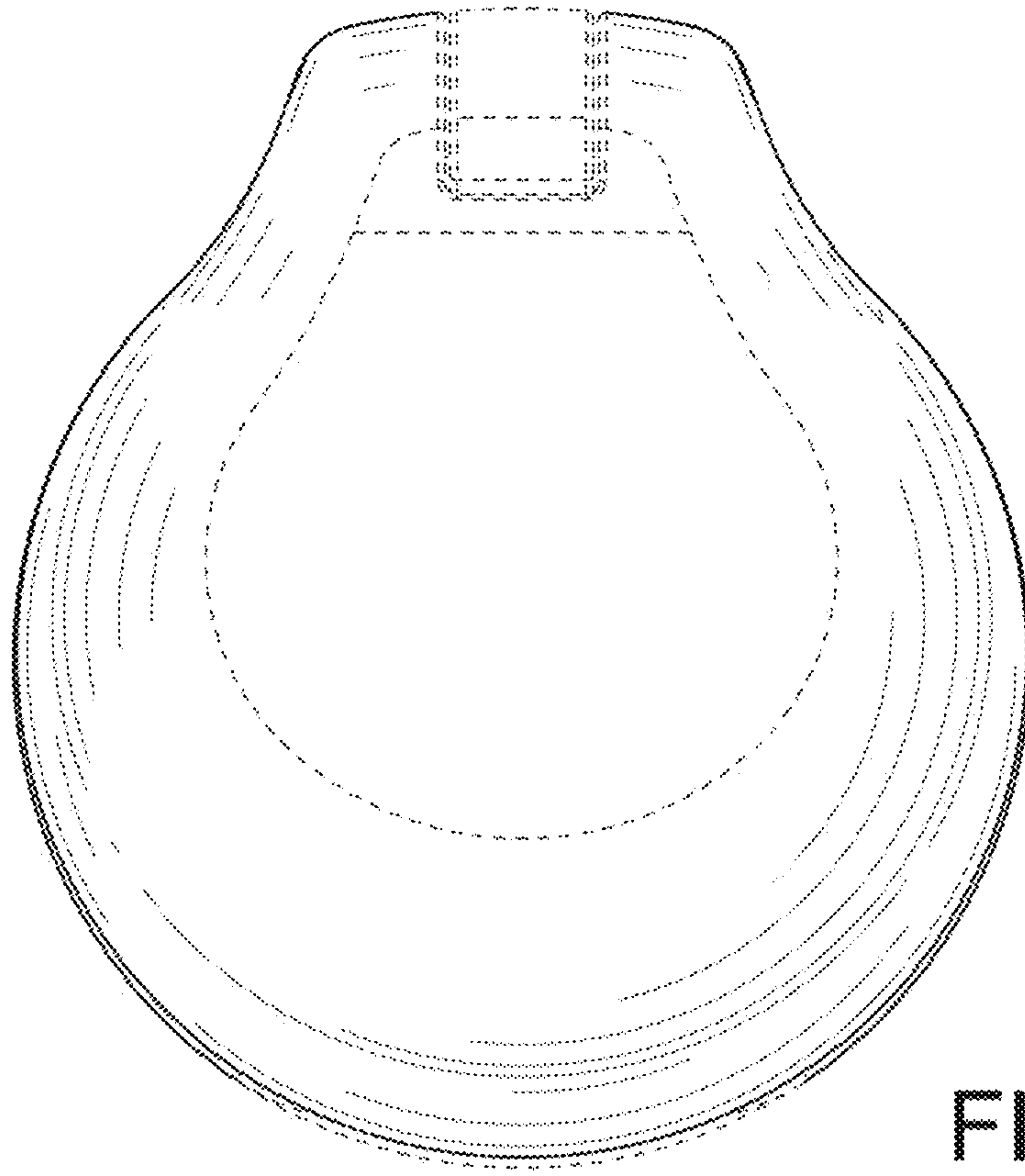


FIG. 7

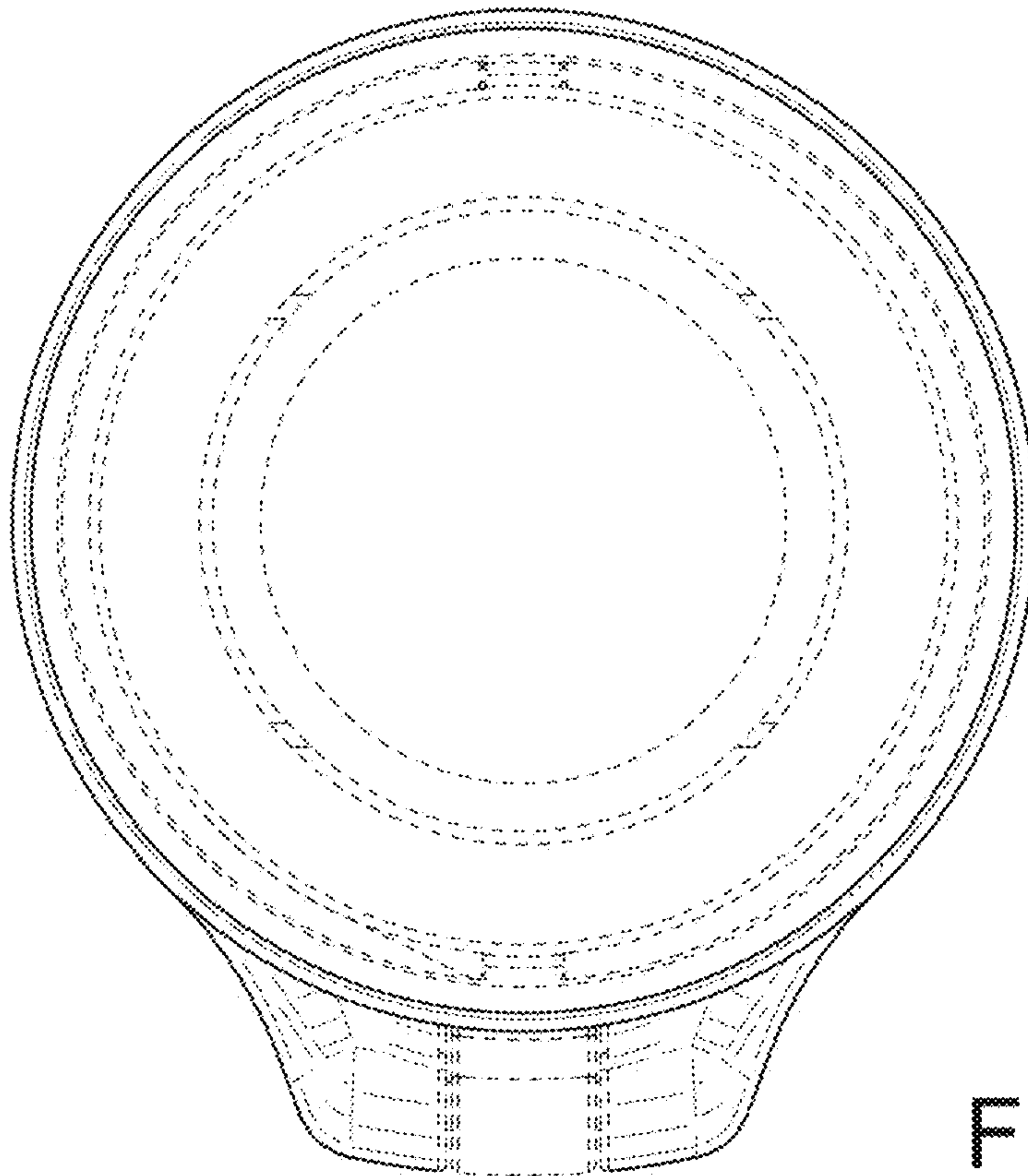


FIG. 8