



US00D983596S

(12) **United States Design Patent**
Lown

(10) **Patent No.:** **US D983,596 S**
(45) **Date of Patent:** **** Apr. 18, 2023**

(54) **CONTAINER LID**

(71) Applicant: **Takeya USA Corporation**, Huntington Beach, CA (US)

(72) Inventor: **John M. Lown**, Huntington Beach, CA (US)

(73) Assignee: **Takeya USA Corporation**, Costa Mesa, CA (US)

(**) Term: **15 Years**

(21) Appl. No.: **29/701,805**

(22) Filed: **Aug. 14, 2019**

(51) **LOC (14) Cl.** **07-02**

(52) **U.S. Cl.**
USPC **D7/392.1; D9/447**

(58) **Field of Classification Search**
USPC D7/392, 392.1, 392.2; D9/447, 443, 449
CPC A47G 23/06; A47J 43/27; A45F 3/16
See application file for complete search history.

(56) **References Cited**

U.S. PATENT DOCUMENTS

D772,652 S *	11/2016	Yao	D7/510
D801,111 S *	10/2017	Eyal	D9/449
D807,110 S *	1/2018	Lown	D7/391
D824,721 S *	8/2018	Hu	D7/392.1
D896,573 S *	9/2020	Wu	D7/392.1
D903,404 S *	12/2020	Bram	D9/449
D913,036 S *	3/2021	Steenari	D7/392.1
D918,660 S *	5/2021	Cui	D7/532
D920,041 S *	5/2021	Chen	D7/396.2
10,994,901 B2 *	5/2021	Cornelius	B65D 47/143
D922,826 S *	6/2021	Lin	D7/510
D947,611 S *	4/2022	Lown	D7/510

FOREIGN PATENT DOCUMENTS

CA	193050	*	1/2022
JP	D1683050	*	4/2021
KR	3010989590003	*	8/2019
TW	208973-0001	*	8/2019

OTHER PUBLICATIONS

Takeya USA website, Newman Pickleball Series Insulated Water Bottle with Sport Spout Lid, Publication date unknown, [site visited Oct. 3, 2022], Available on the Internet URL <https://takeyausa.com/products/newman-pickleball-insulated-water-bottle-with-sport-spout-lid-and-extra-large-carry-handle> (Year: 2022).*

* cited by examiner

Primary Examiner — S. Bryan Reinholdt, Jr.

(74) *Attorney, Agent, or Firm* — KOS IP Law LLP

(57) **CLAIM**

The ornamental design for a container lid, as shown and described.

DESCRIPTION

FIG. 1 is a front perspective view of a third embodiment of a container lid embodying my new design for use with a container vessel;

FIG. 2 is a bottom perspective view thereof;

FIG. 3 is a front elevation view thereof;

FIG. 4 is a rear elevation view thereof;

FIG. 5 is a right elevation view thereof;

FIG. 6 is a top plan view thereof; and,

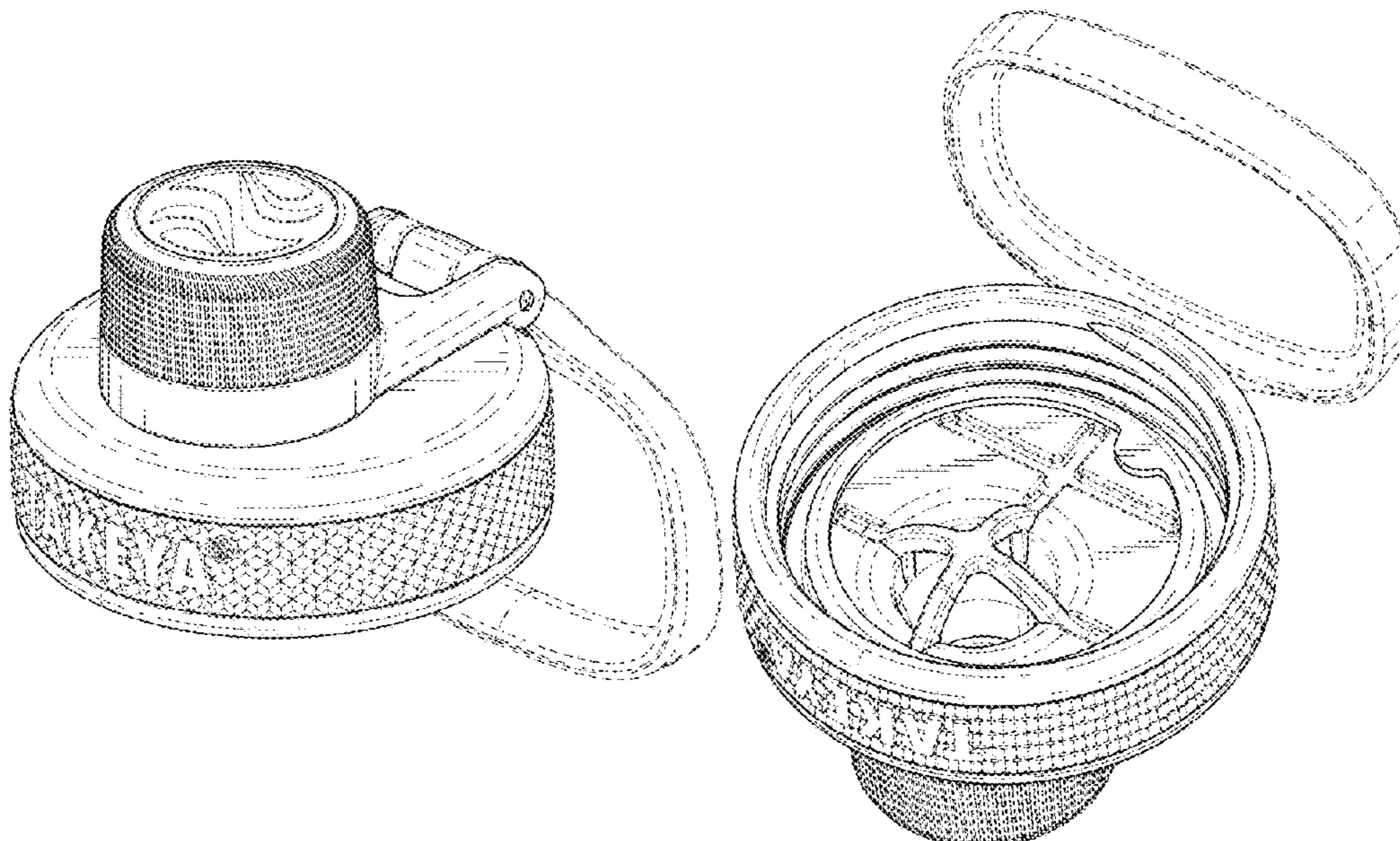
FIG. 7 is a bottom plan view thereof.

The broken lines in the drawings depict portions of the container lid that form no part of the claimed design.

Broken lines are for illustrative purposes only and form no part of the claimed design.

The shading lines only help to show the shape and do not depict any surface decoration.

1 Claim, 4 Drawing Sheets



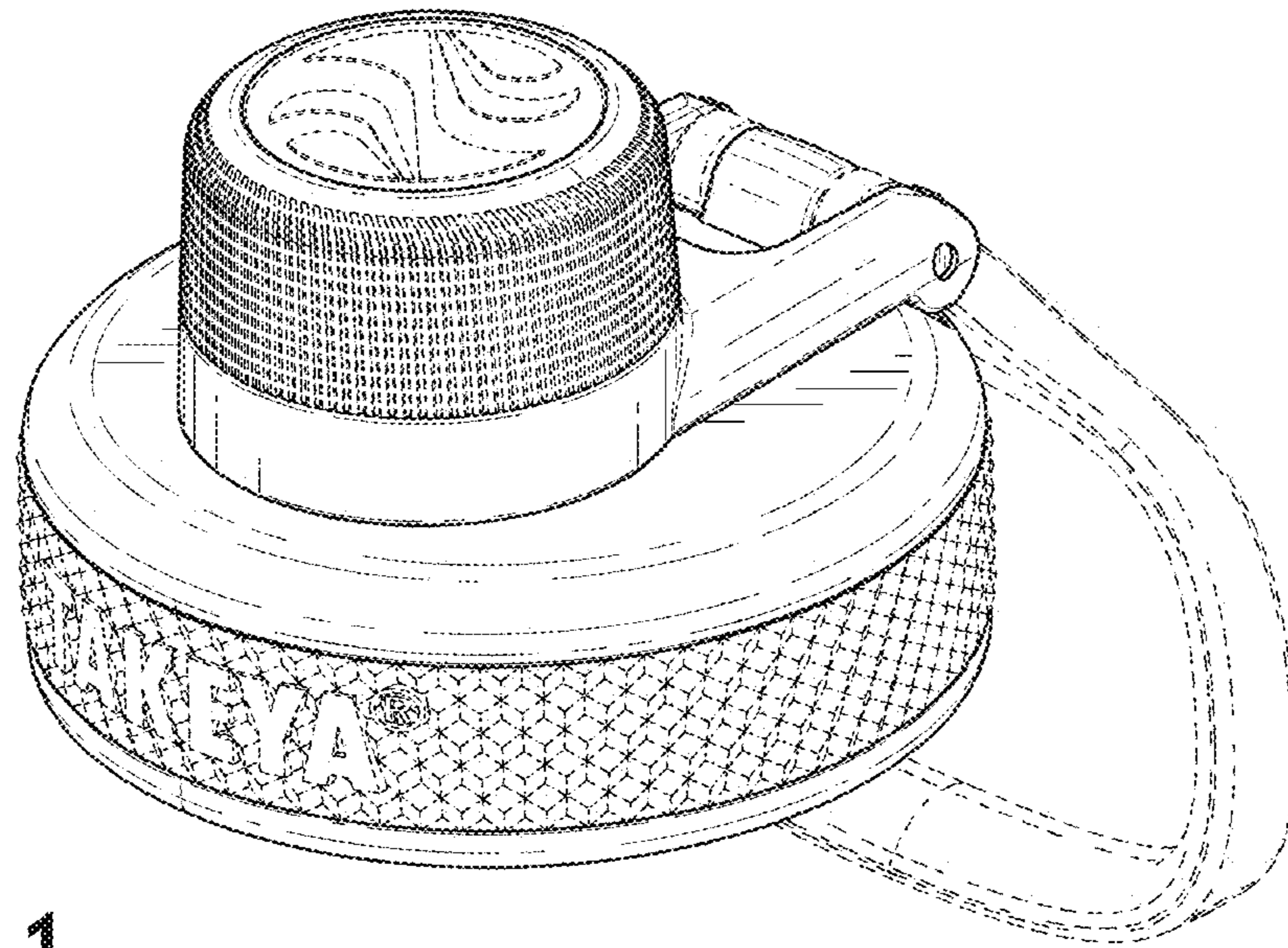


FIG. 1

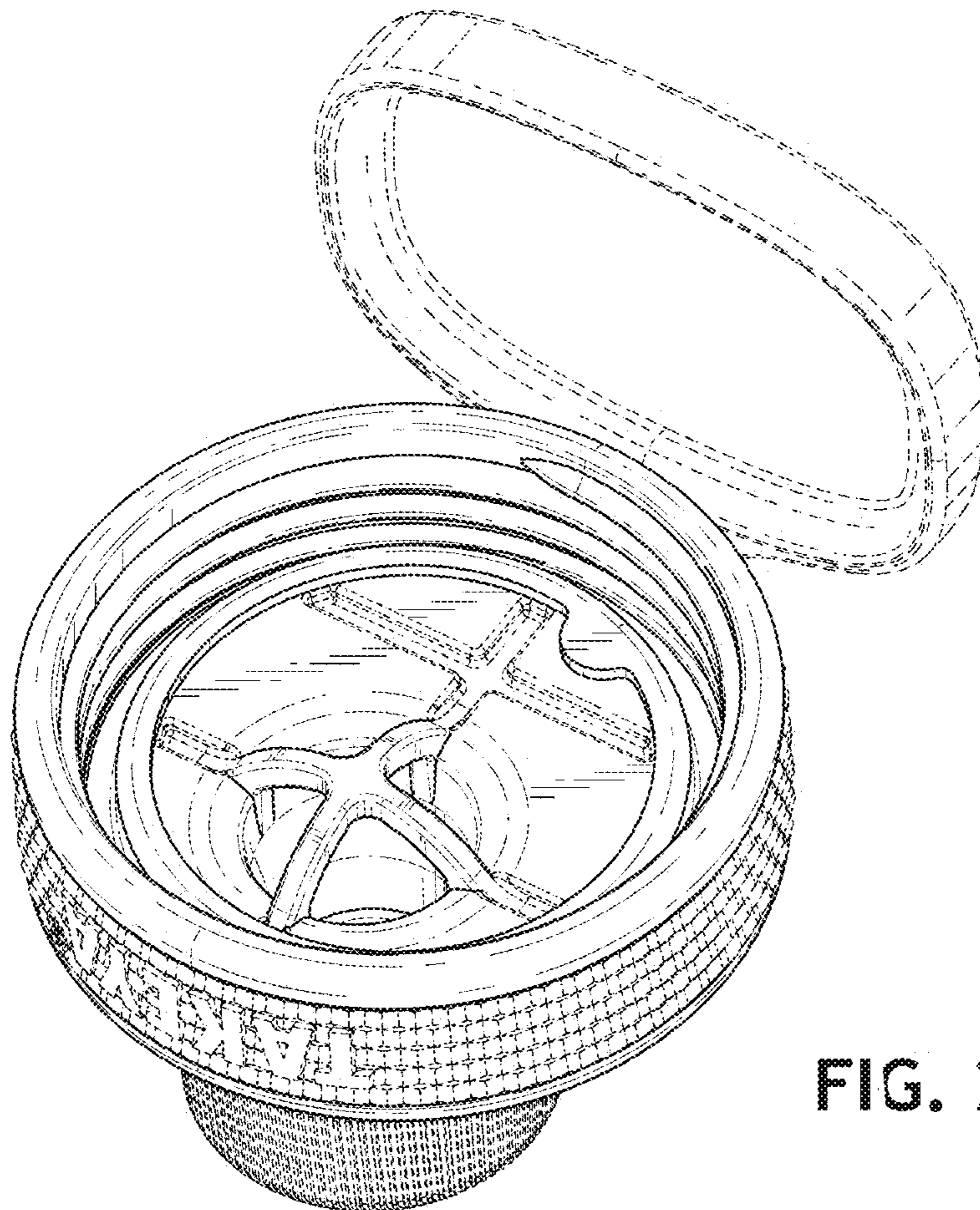


FIG. 2

FIG. 3

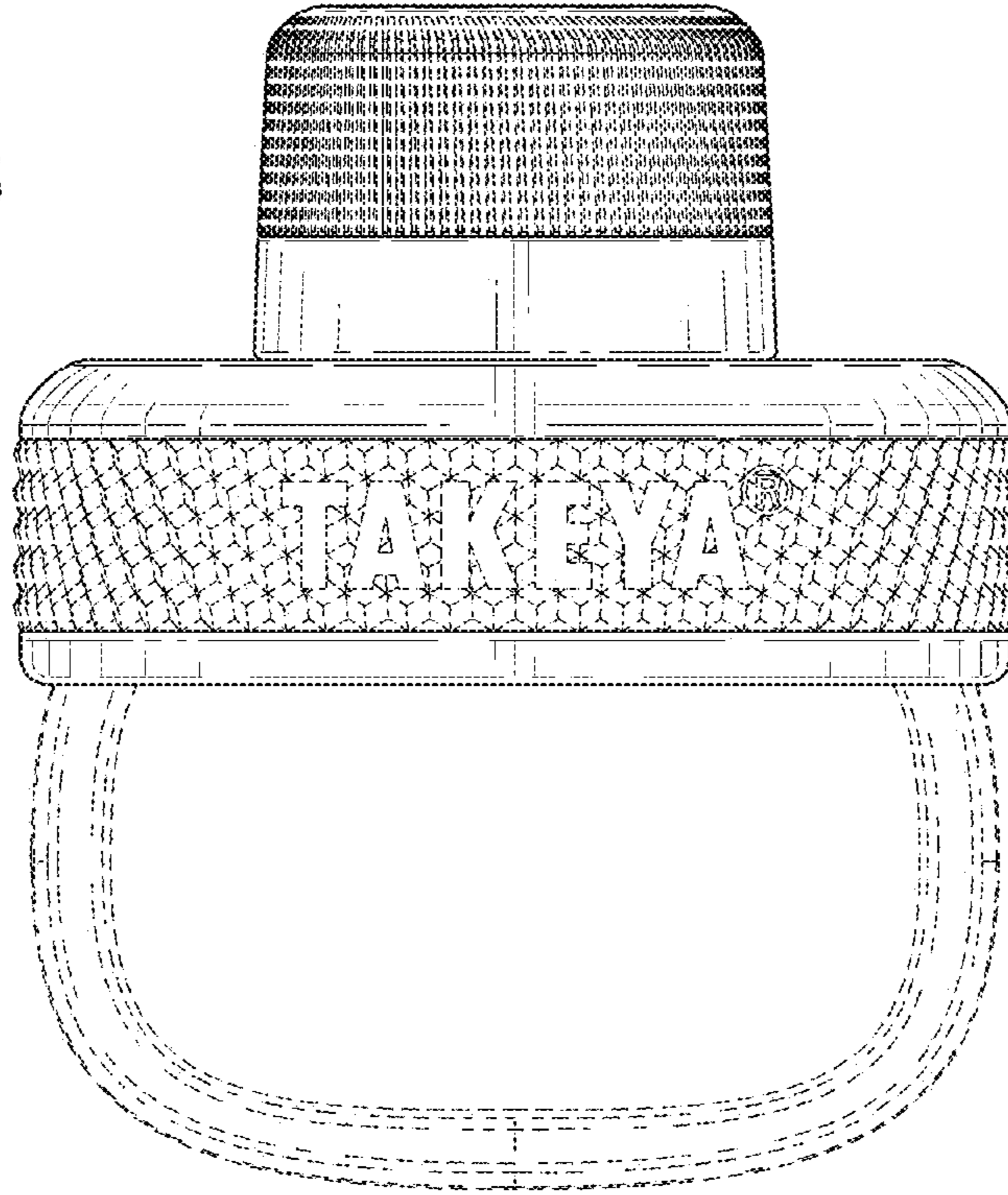
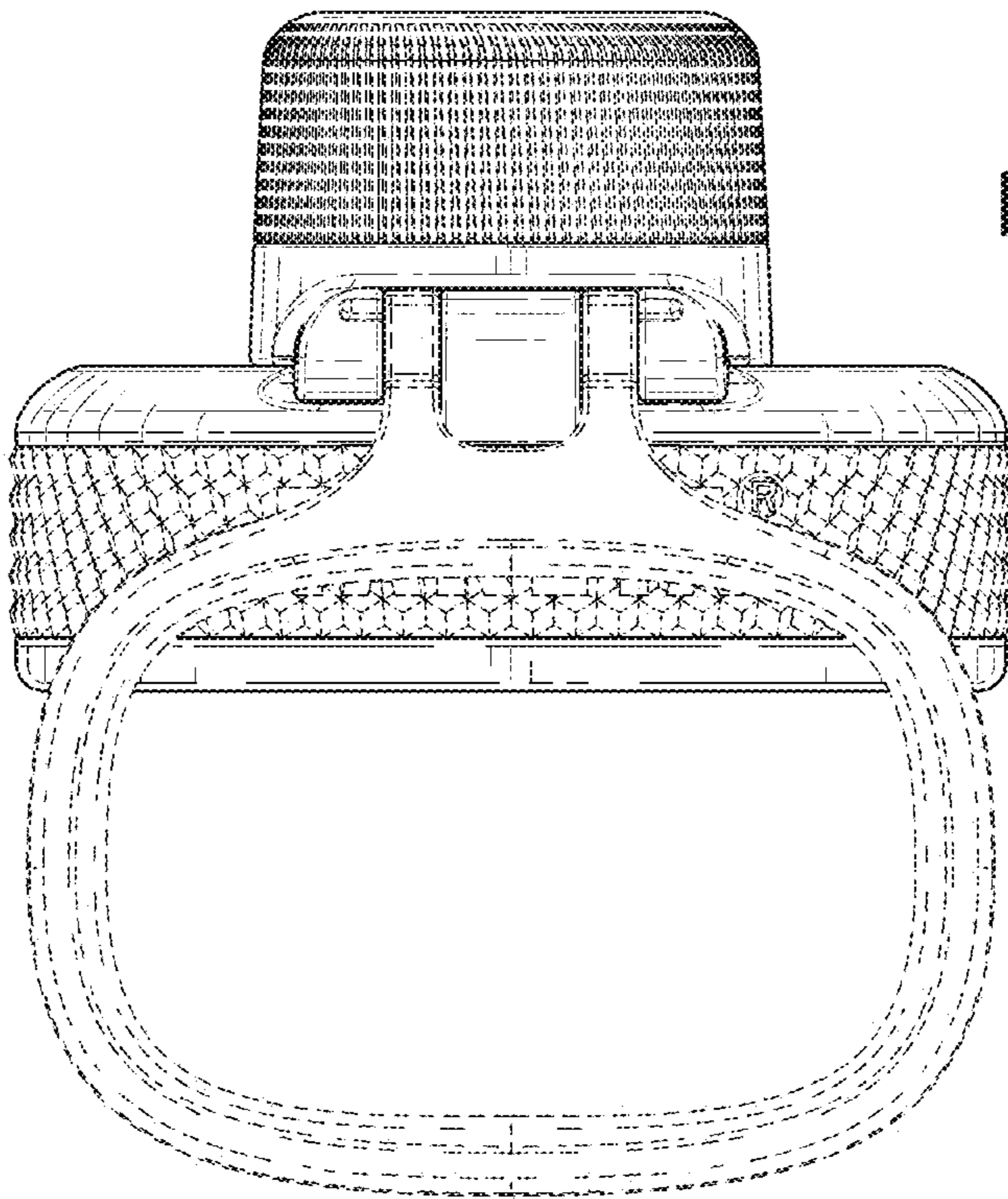


FIG. 4



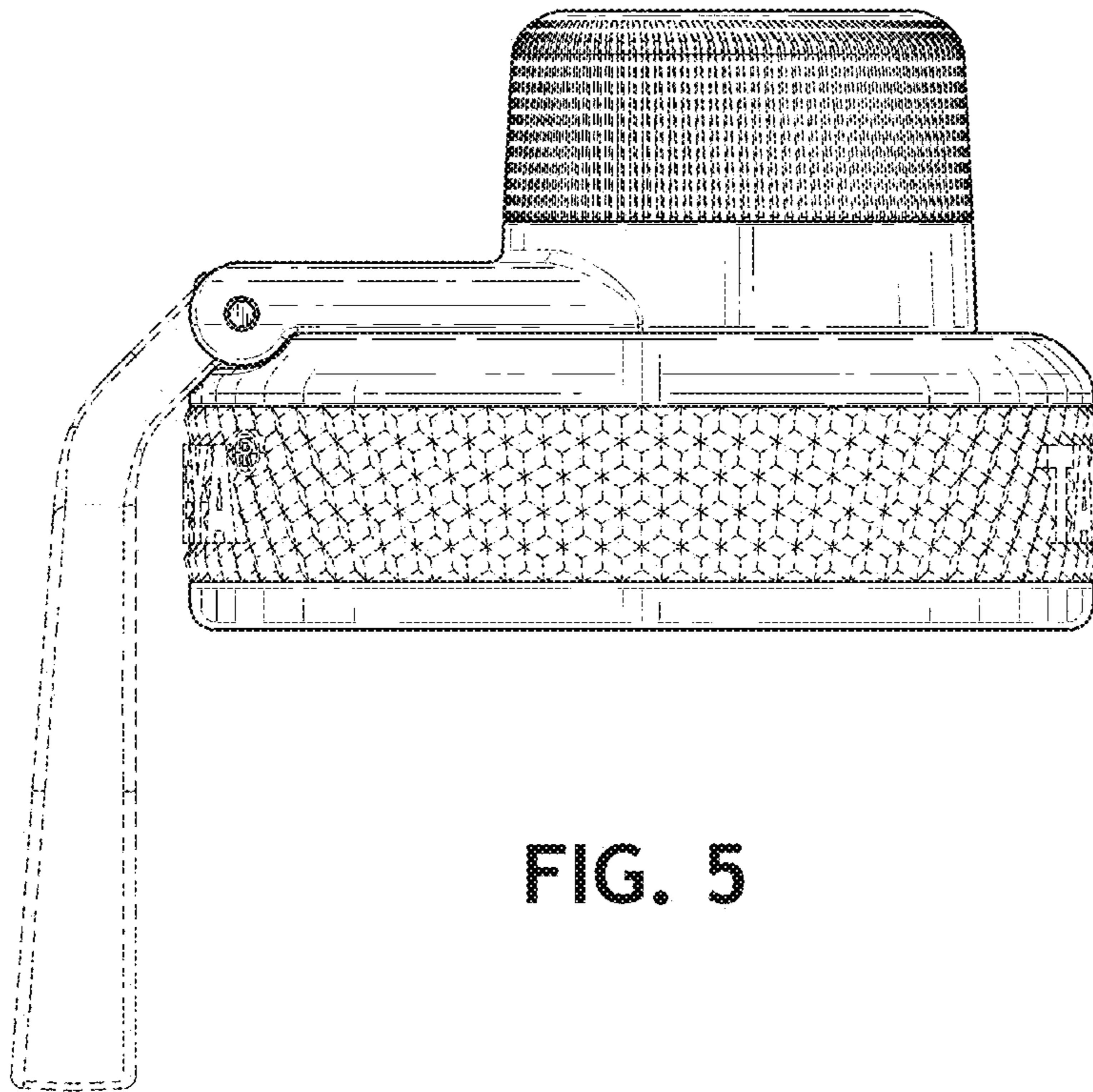


FIG. 5

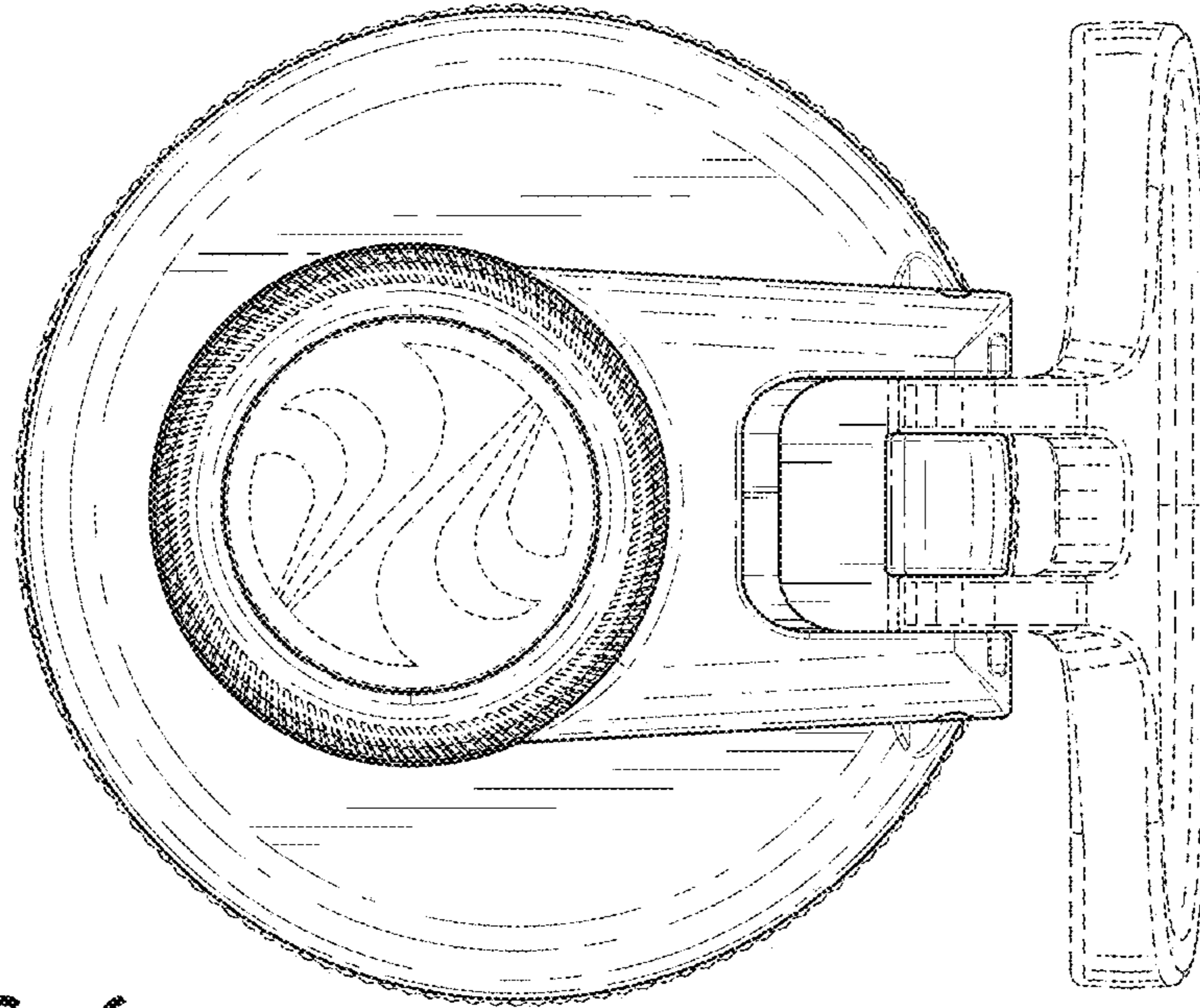


FIG. 6

FIG. 7

