



US00D983595S

(12) **United States Design Patent**
Mock et al.

(10) **Patent No.:** **US D983,595 S**
(45) **Date of Patent:** **** Apr. 18, 2023**

(54) **STORAGE LID FOR A FOOD PROCESSOR**

(56) **References Cited**

(71) Applicant: **WHIRLPOOL CORPORATION**,
Benton Harbor, MI (US)
(72) Inventors: **Brandon Tyler Mock**, St. Joseph, MI
(US); **Yifan Wang**, Benton Harbor, MI
(US)
(73) Assignee: **Whirlpool Corporation**, Benton
Harbor, MI (US)
(**) Term: **15 Years**
(21) Appl. No.: **29/847,925**
(22) Filed: **Jul. 28, 2022**

U.S. PATENT DOCUMENTS

4,194,697 A	3/1980	Lembeck	
4,586,666 A	5/1986	Fox	
D290,677 S *	7/1987	Stutzer	D7/383
D488,344 S *	4/2004	Seum	D7/384
D547,601 S *	7/2007	Ting	D7/384
7,530,510 B2	5/2009	Newman et al.	
D642,857 S *	8/2011	Bodum	D7/378
D679,543 S	4/2013	Repac	
D702,993 S *	4/2014	Lownds	D7/378

(Continued)

FOREIGN PATENT DOCUMENTS

WO 2013000774 A1 1/2013

Primary Examiner — Ricky Pham

(74) *Attorney, Agent, or Firm* — Price Heneveld LLP

(57) **CLAIM**

The ornamental design for a storage lid for a food processor, as shown and described.

DESCRIPTION

FIG. 1 is a rear top perspective view of a storage lid for a food processor according to a first embodiment of the design;

FIG. 2 is a front top perspective view thereof;

FIG. 3 is a front elevational view thereof;

FIG. 4 is a rear elevational view thereof;

FIG. 5 is a first side elevational view thereof;

FIG. 6 is a second side elevational view thereof;

FIG. 7 is a top plan view thereof; and,

FIG. 8 is an exploded bottom perspective view thereof.

Broken lines are environmental only and form no part of the claimed design.

The portions of the article shown in broken line form no part of the claimed design.

Short dashed broken lines illustrate features and text that are environmental only and form no part of the claimed design.

Related U.S. Application Data

(63) Continuation of application No. 29/766,210, filed on Jan. 14, 2021, now Pat. No. Des. 959,909.

(51) **LOC (14) Cl.** **31-00**

(52) **U.S. Cl.**
USPC **D7/391**; D7/384; D7/413

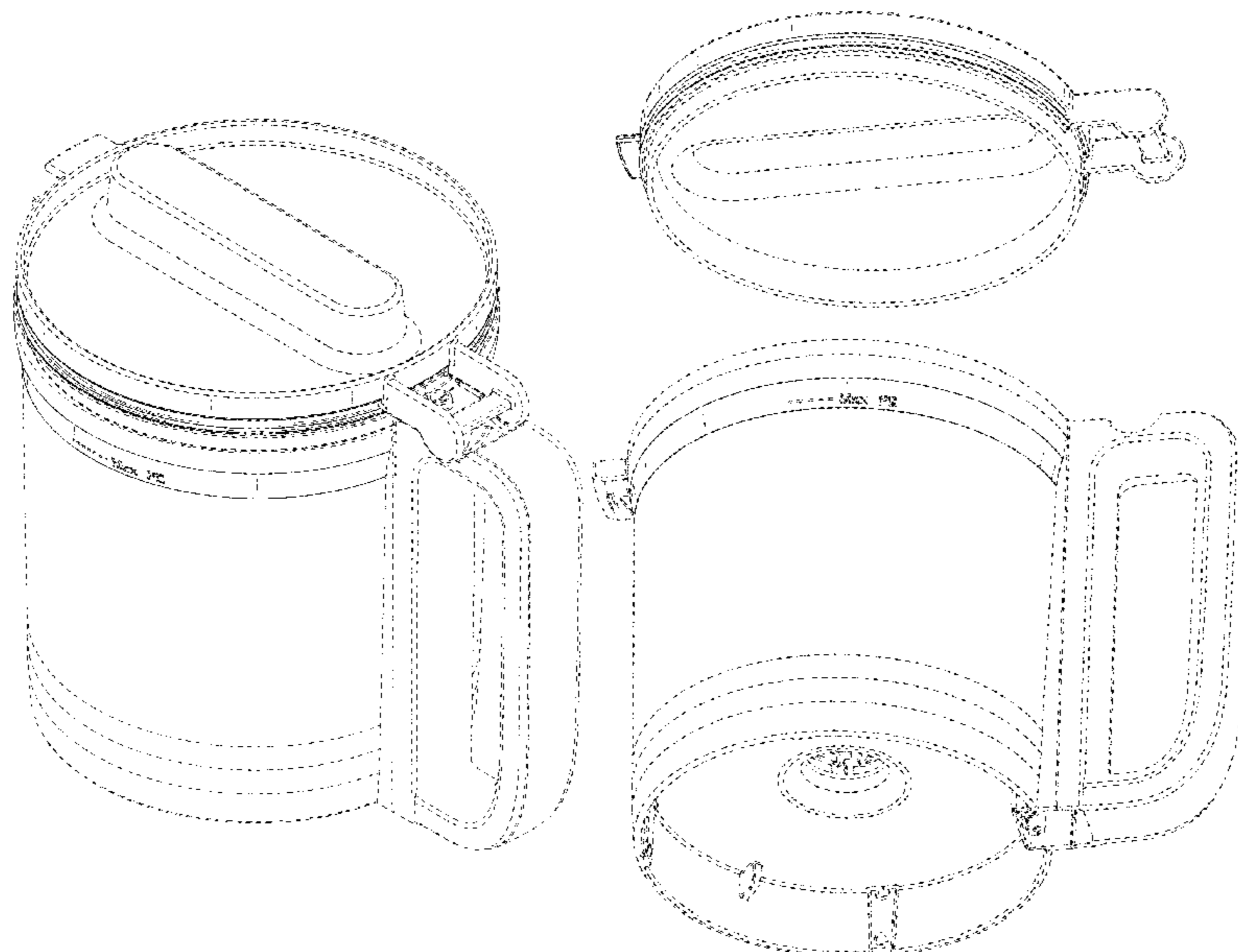
(58) **Field of Classification Search**

USPC D7/372, 376–386, 393, 412–413, 533,
D7/543, 586, 602, 622, 629, 665–666,
D7/669, 679, 691–694

CPC A21C 1/02; A21C 1/04; A23N 1/00; A23N
1/02; A47J 19/023; A47J 43/04; A47J
43/25; A47J 43/27; A47J 43/042; A47J
43/044; A47J 43/046; A47J 43/075; A47J
43/0722; A47J 43/0727; B01F 3/00; B01F
3/0807; B01F 3/0853; B01F 13/0059;
B01F 13/0064; B02C 1/08; B02C 2/04;
B02C 4/42; B02C 4/142; B02C 4/143;
B02C 4/423; B02C 13/1835; B28C 5/10;
B28C 5/12; B28C 5/14; B28C 5/16

See application file for complete search history.

1 Claim, 8 Drawing Sheets



(56)

References Cited

U.S. PATENT DOCUMENTS

8,733,239	B2	5/2014	Allen	
D708,009	S	7/2014	Gillette et al.	
D708,010	S	7/2014	Gillette et al.	
D711,682	S	8/2014	Norland et al.	
9,084,508	B2	7/2015	Sandford et al.	
D767,327	S *	9/2016	McConnell	D7/378
D772,002	S	11/2016	Affatato et al.	
D793,152	S	8/2017	Gushwa et al.	
D808,718	S	1/2018	Coakley	
D835,454	S	12/2018	Coakley	
D853,177	S *	7/2019	McConnell	D7/378
D869,227	S *	12/2019	McConnell	D7/378
D877,577	S	3/2020	Gross et al.	
D920,032	S	5/2021	McConnell et al.	
D943,338	S	2/2022	Feng	
D959,909	S *	8/2022	Mock	D7/378
2011/0174905	A1	7/2011	Chan et al.	
2017/0311760	A1	11/2017	Gushwa et al.	
2019/0075971	A1	3/2019	Noca et al.	

* cited by examiner

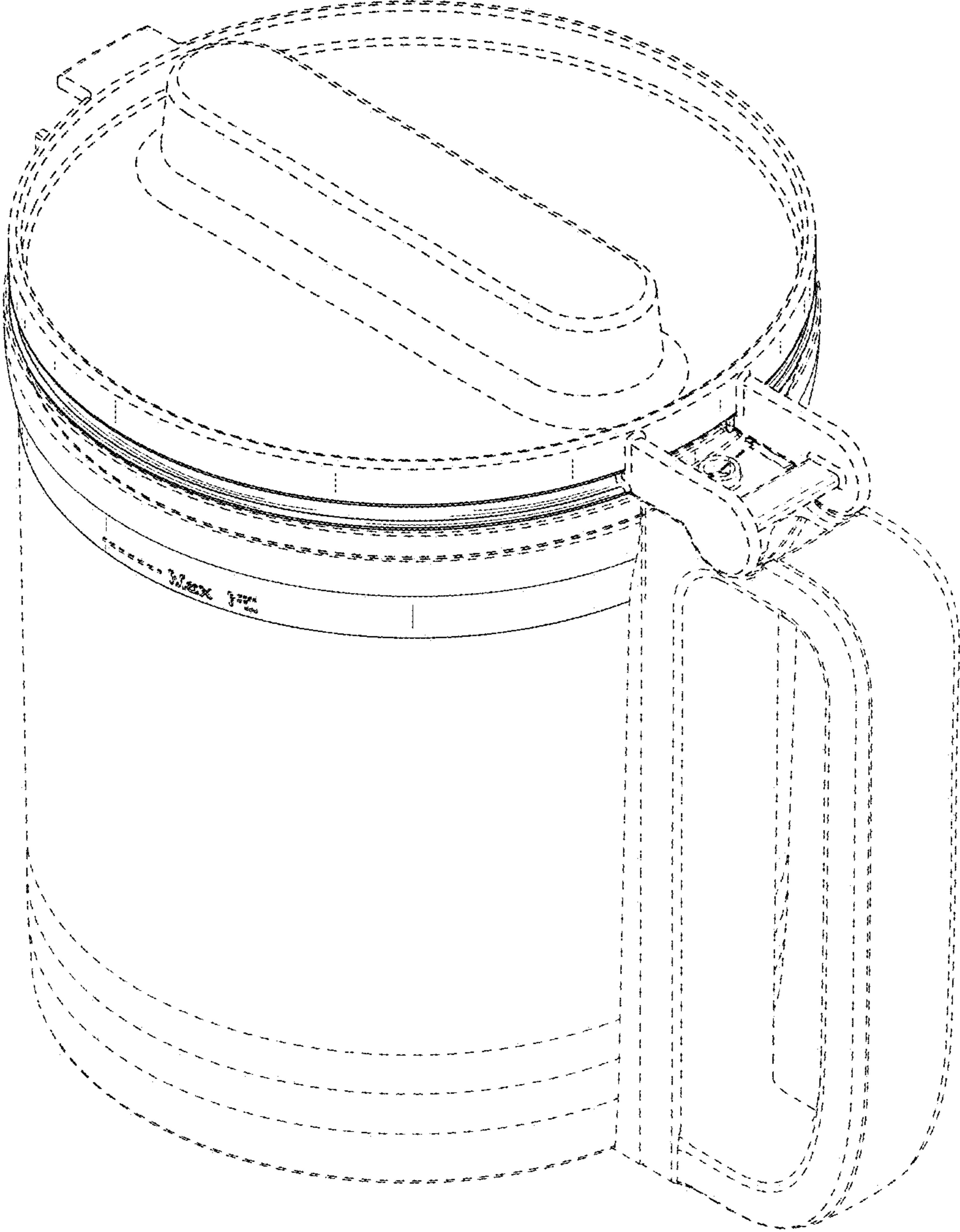


FIG. 1

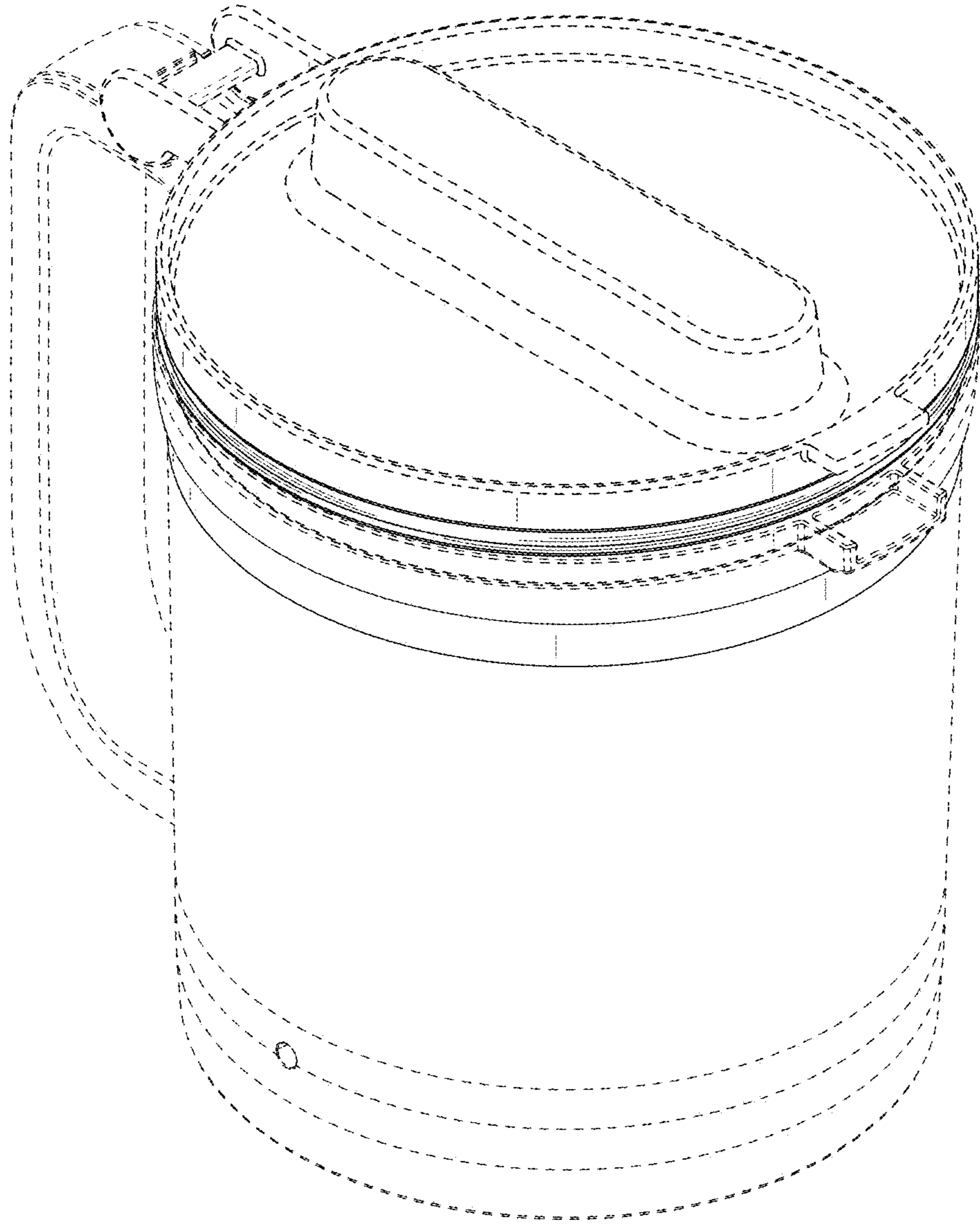


FIG. 2

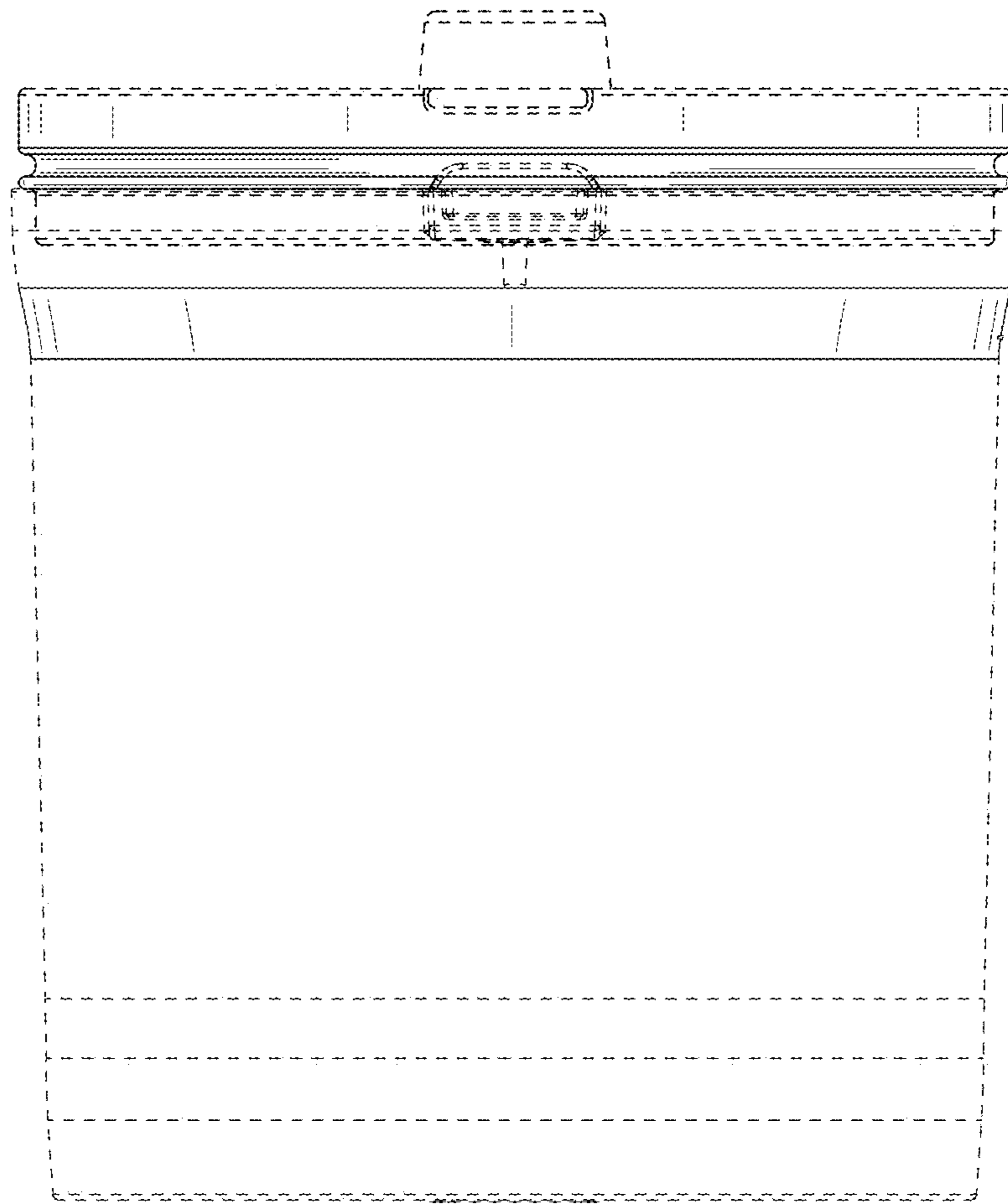


FIG. 3

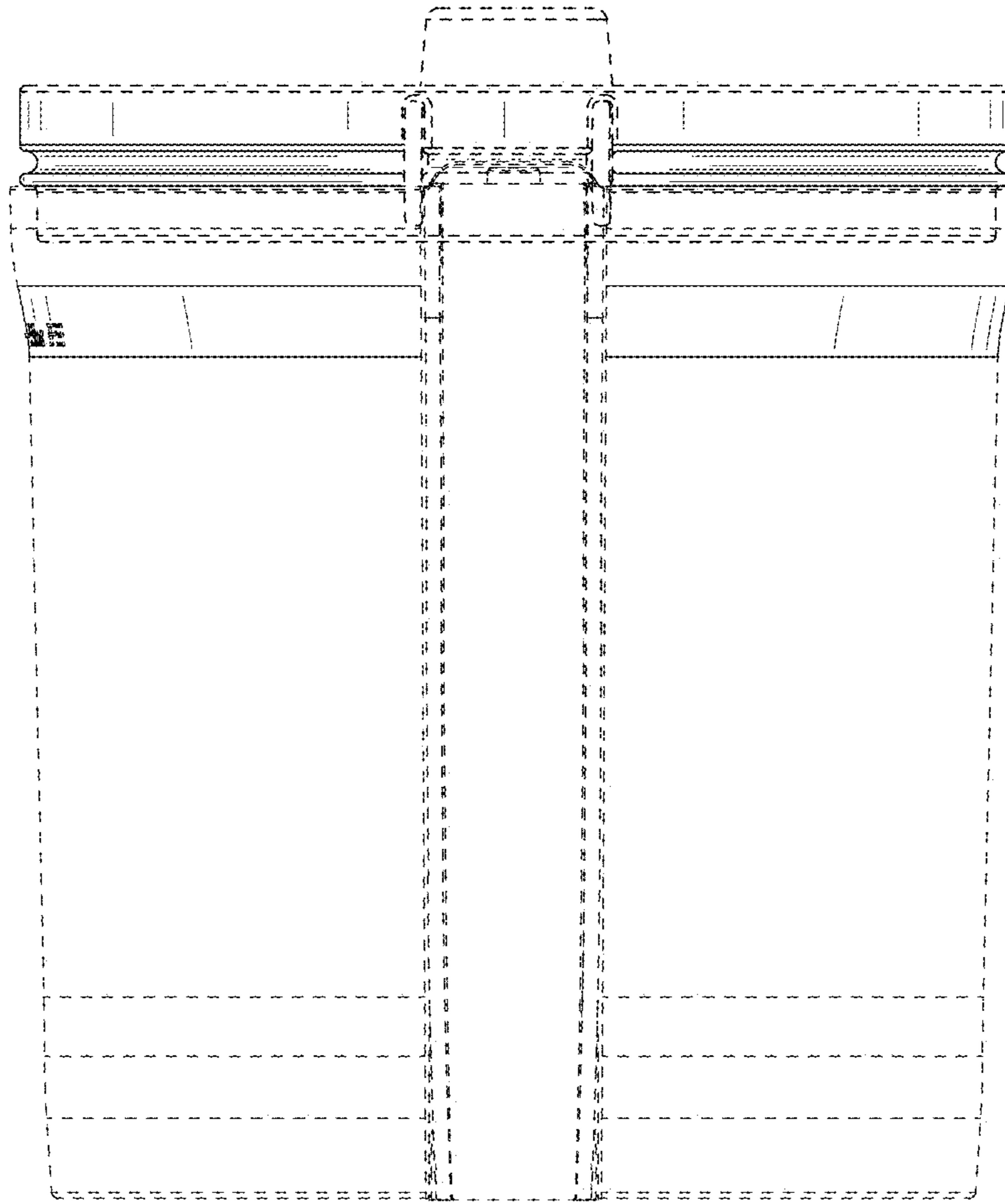


FIG. 4

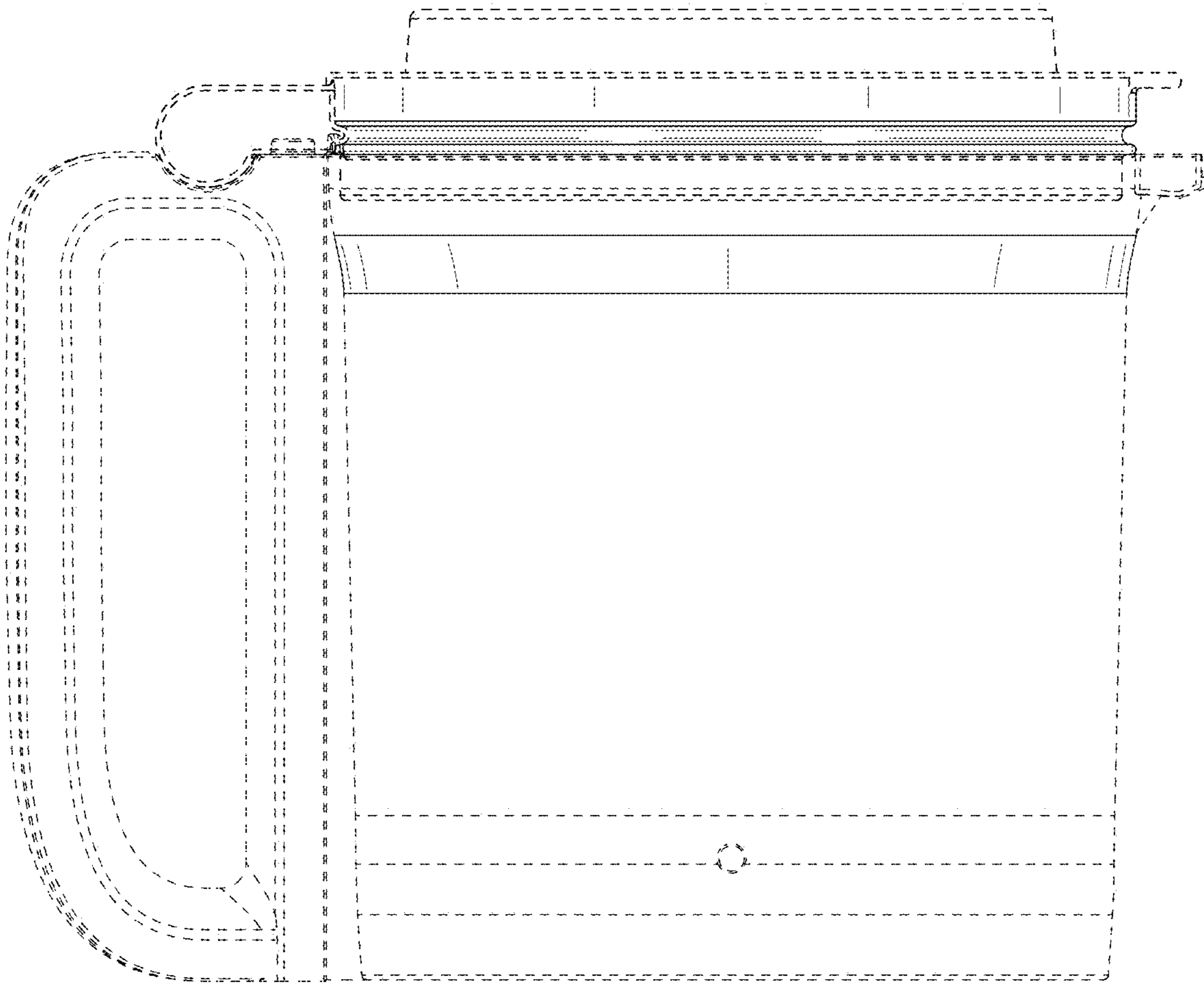


FIG. 5

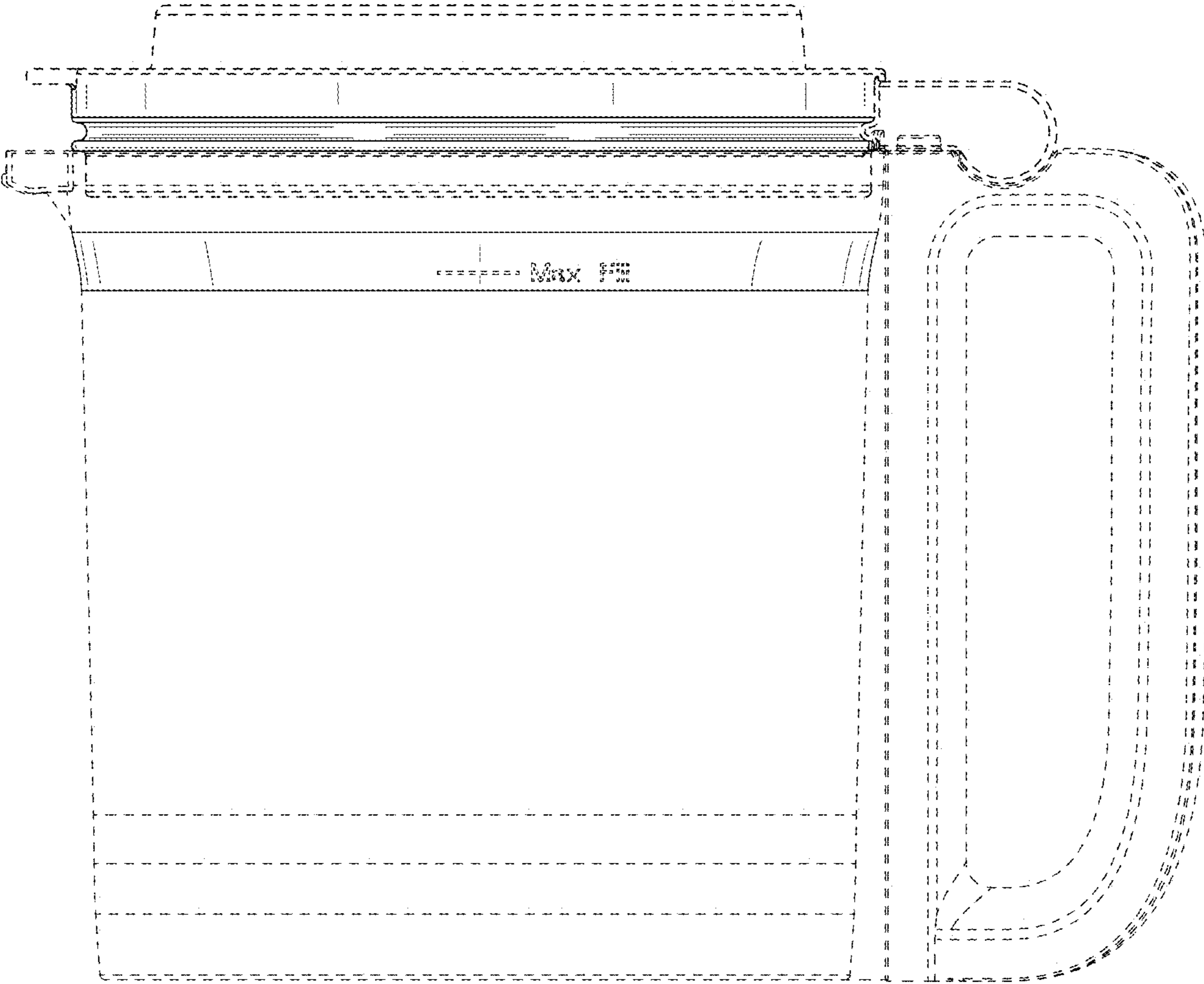


FIG. 6

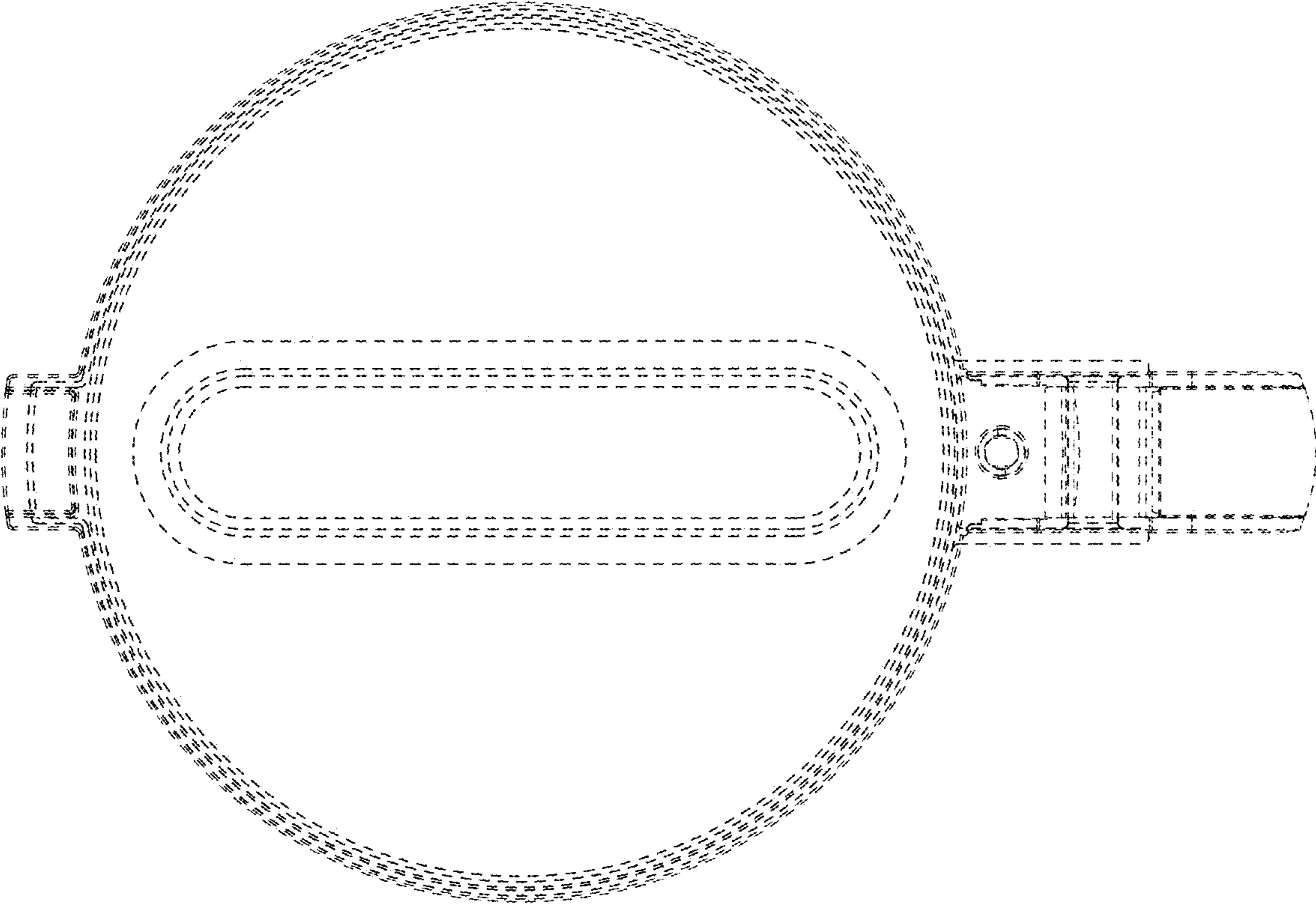


FIG. 7

FIG. 8

