



US00D983593S

(12) **United States Design Patent**
Hamada et al.

(10) **Patent No.:** **US D983,593 S**
(45) **Date of Patent:** **** Apr. 18, 2023**

(54) **COOKING PAN**

(71) Applicants: **WAGYUMAFIA INC.**, Tokyo (JP);
YUKI Precision Co., Ltd., Kanagawa (JP)

(72) Inventors: **Hisato Hamada**, Tokyo (JP); **Yoji Minatodani**, Chigasaki (JP)

(73) Assignees: **WAGYUMAFIA INC.**, Tokyo (JP);
YUKI PRECISION CO., LTD., Kanagawa (JP)

(**) Term: **15 Years**

(21) Appl. No.: **35/513,267**

(22) Filed: **Dec. 8, 2021**

(80) **Hague Agreement Data**

Int. Filing Date: **Dec. 8, 2021**

Int. Reg. No.: **DM/217921**

Int. Reg. Date: **Dec. 8, 2021**

Int. Reg. Pub. Date: **Dec. 24, 2021**

(51) **LOC (14) Cl.** **07-02**

(52) **U.S. Cl.**
USPC **D7/359**

(58) **Field of Classification Search**

USPC D7/347, 354, 355, 356, 357, 359, 362,
D7/364, 365, 367, 372, 373, 374, 375,
D7/376, 377, 378, 379, 380, 381, 382,
D7/383, 384, 385, 386, 402, 412, 413,
D7/414, 415, 694, 669, 679

CPC .. A47J 43/04; A47J 43/25; A47J 43/27; A47J
43/042; A47J 43/044; A47J 43/046; A47J
43/075; A47J 43/0722; A47J 43/0727;
A47J 42/00; A47J 42/02; A47J 42/04;

(Continued)

(56) **References Cited**

U.S. PATENT DOCUMENTS

1,447,813 A * 3/1923 Patrick A47J 37/10
99/425

1,460,380 A * 7/1923 Hughes A47J 37/10
99/425

D229,656 S * 12/1973 Garcia D7/359

(Continued)

FOREIGN PATENT DOCUMENTS

JP D1727464 * 10/2022

KR 301128490.0000 * 9/2021

SG 30201602279P-0001 * 3/2016

OTHER PUBLICATIONS

Hisato Hamada is bringing the Wagyujuiskan experience to Hong Kong, announced Jul. 11, 2022 [online], retrieved Dec. 13, 2022, retrieved from internet, <https://www.luxuriousmagazine.com/wagyujuiskan-hong-kong/>.*

(Continued)

Primary Examiner — Messina L Smith

(74) *Attorney, Agent, or Firm* — Dinsmore & Shohl LLP

(57) **CLAIM**

The ornamental design for a cooking pan, as shown and described.

DESCRIPTION

1. Cooking pan

1.1 : Perspective

1.2 : Front

1.3 : Left

1.4 : Top

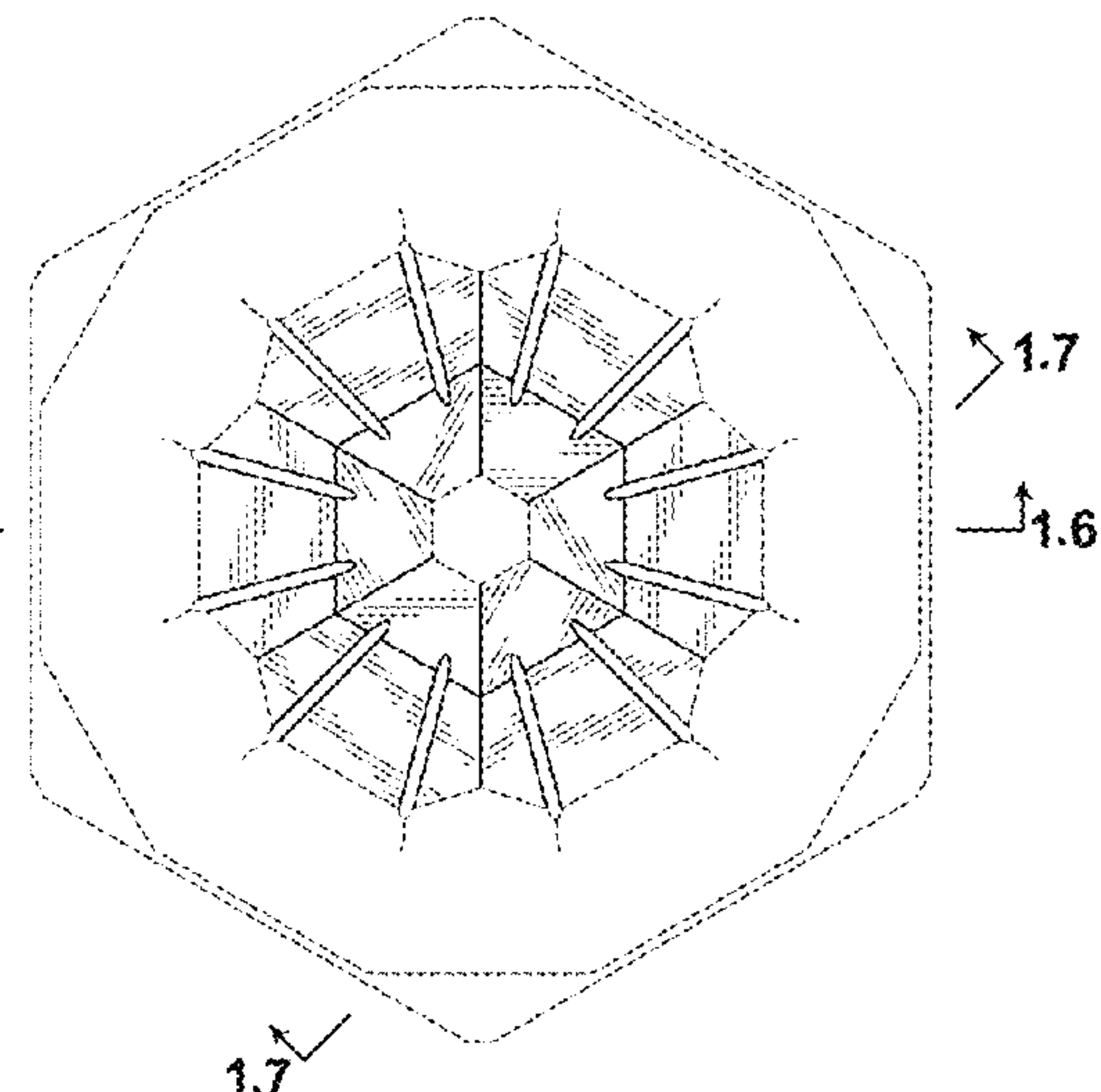
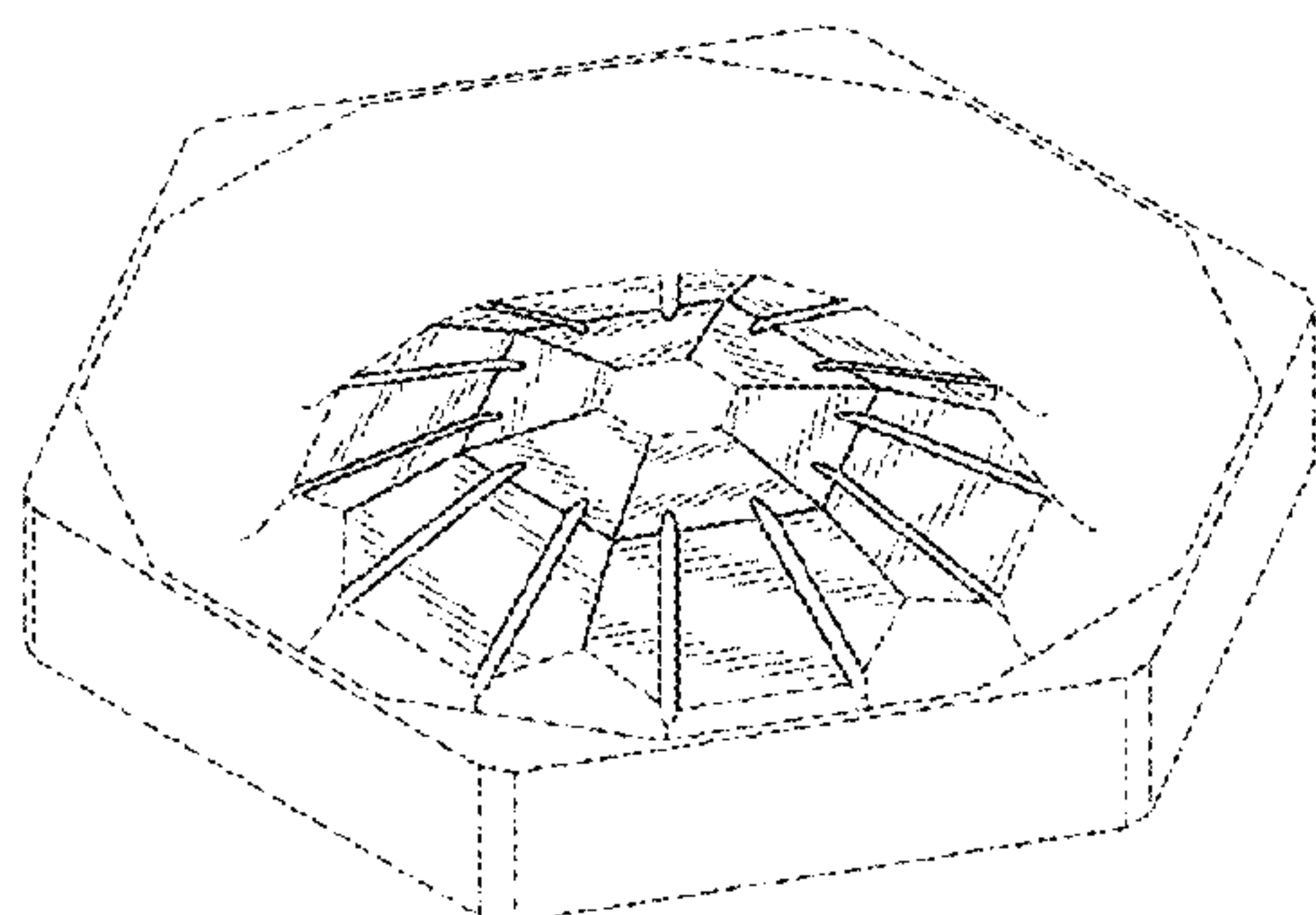
1.5 : Bottom

1.6 : Cross sectional

1.7 : Cross sectional

The broken lines form no part of the claimed design; the rear view is omitted as it is identical with the front view; the right side view is omitted as it is identical with the left side view; 1.6 is a cross sectional view taken along the line 1.6-1.6 in 1.4; and 1.7 is a cross sectional view taken along the line 1.7-1.7 in 1.4.

1 Claim, 7 Drawing Sheets



(58) **Field of Classification Search**

CPC . A47J 42/06; A47J 42/14; A47J 42/16; A23N
1/00; A23N 1/02; B01F 31/00; B02C
1/08; B02C 2/04; B02C 4/42; B02C
13/1835

See application file for complete search history.

D667,678 S *	9/2012	Sensenig	D7/354
D696,548 S *	12/2013	Weskamp	D7/354
D799,889 S *	10/2017	McClory	D7/378
D824,222 S *	7/2018	Michel	D7/669
D859,058 S *	9/2019	Mirchandani	D7/354
D859,088 S *	9/2019	Michel	D7/669
2021/0022540 A1*	1/2021	Huang	A47J 27/05

(56)

References Cited

U.S. PATENT DOCUMENTS

3,908,534 A *	9/1975	Martin	A47J 37/108 99/418
D298,506 S *	11/1988	Lee	D7/393
D306,118 S *	2/1990	Guerrero	D7/397
5,357,850 A *	10/1994	Coudurier	A47J 27/022 99/422
D440,490 S *	4/2001	Lizzio	D9/428
D526,837 S *	8/2006	Henry	D7/359
D598,714 S *	8/2009	Aagaard	D7/584

OTHER PUBLICATIONS

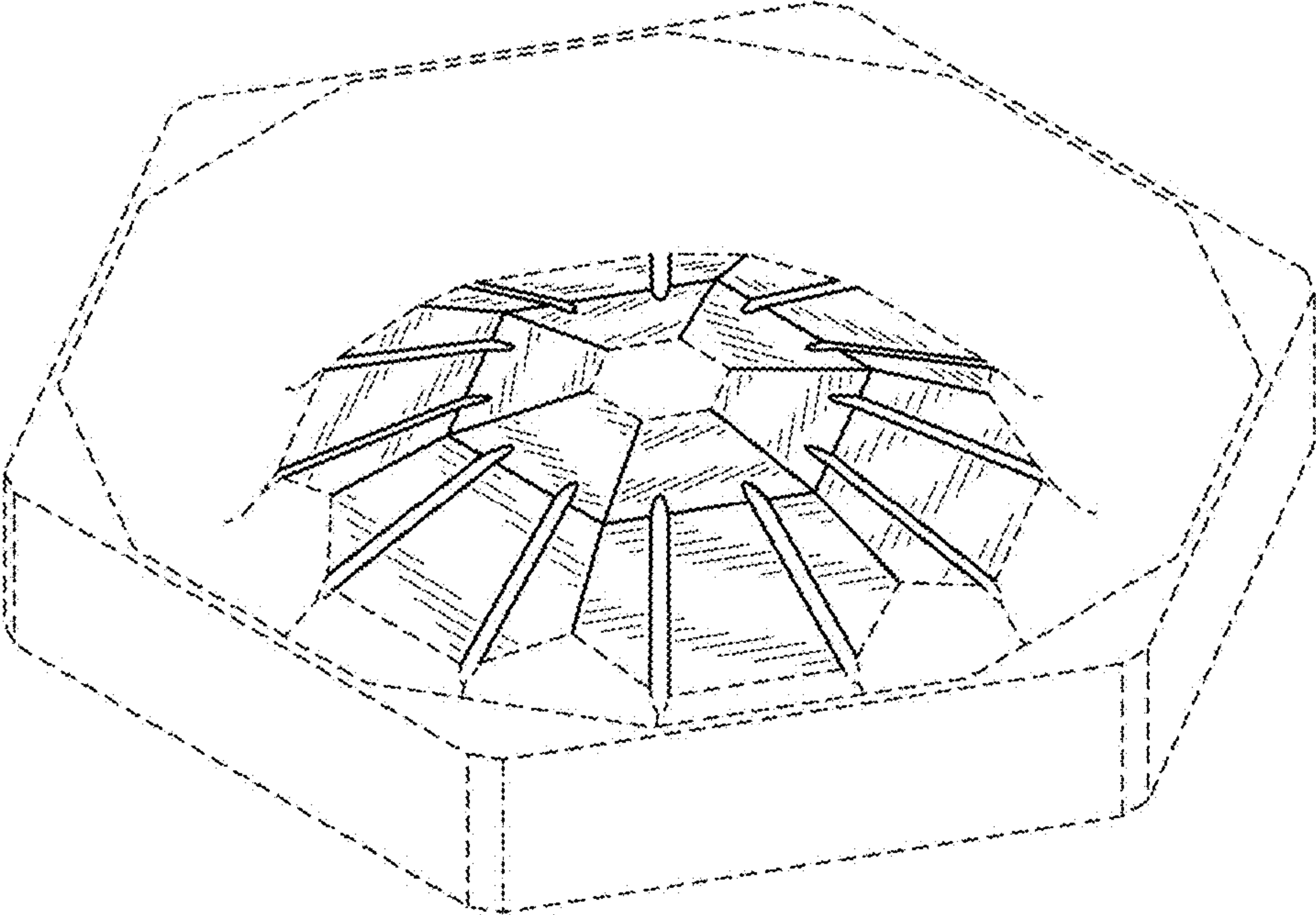
Yakinikumafia HK, announced Jul. 7, 2022 [online], retrieved Dec. 13, 2022, retrieved from internet, <https://www.facebook.com/photo/?fbid=591425209000436&set=pcb.591425282333762>.*

Yakinikumafia, no announcement date [online], retrieved Dec. 13, 2022, retrieved from internet, <https://yakinikumafia-japan.com/>.*

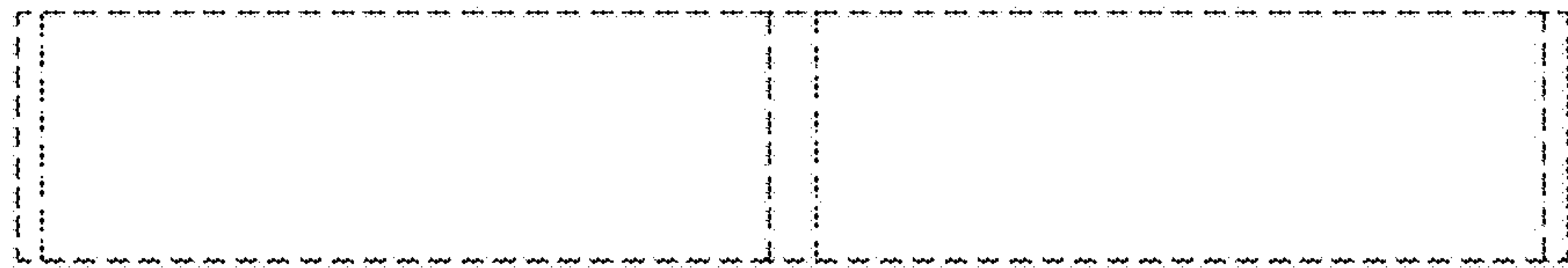
New Eats, announced Jul. 25, 2022 [online], retrieved Dec. 13, 2022, retrieved from internet, <https://www.lifestyleasia.com/hk/food-drink/dining/new-eats-where-to-eat-this-week-25-july-2022/>.*

* cited by examiner

1.1



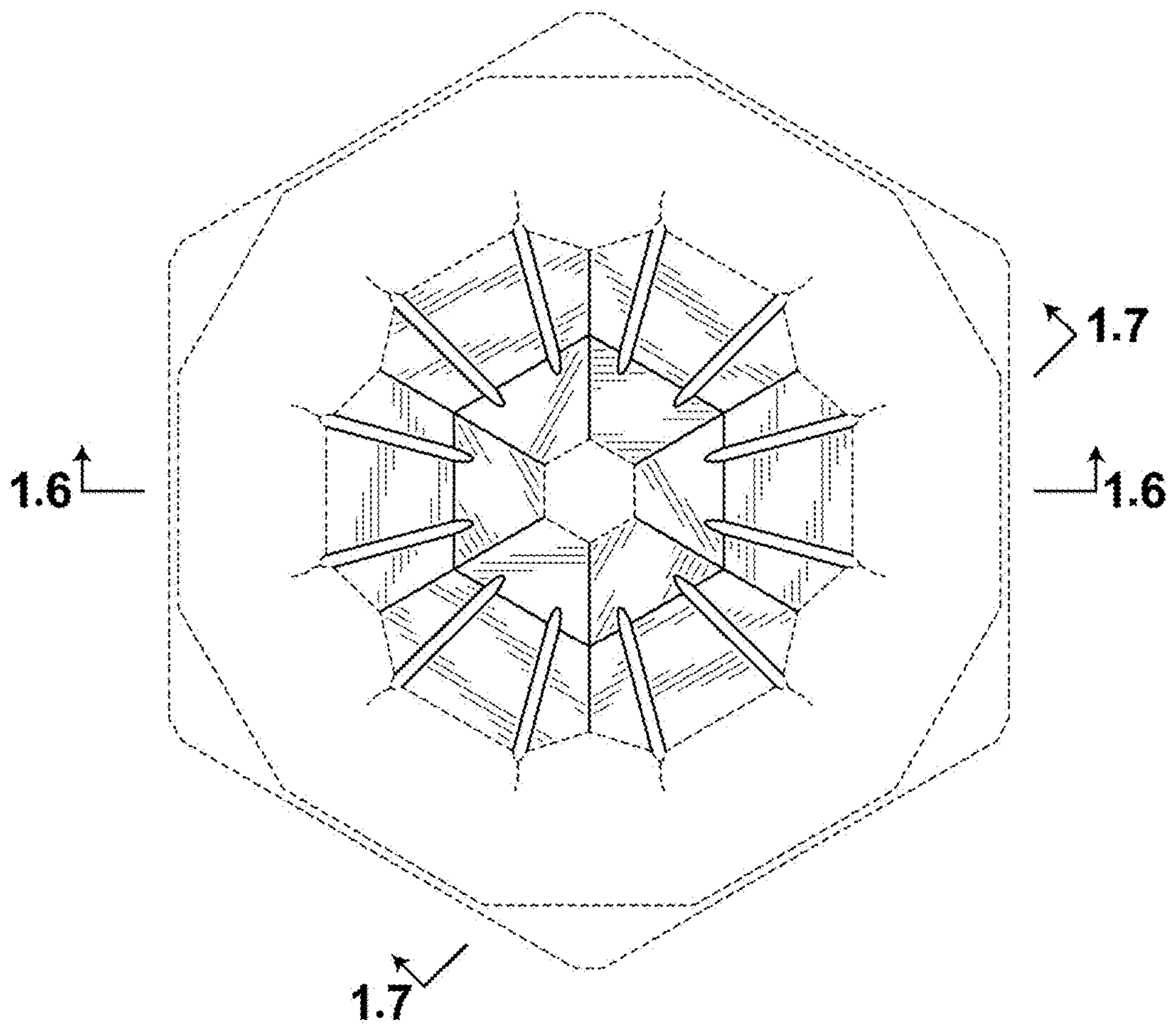
1.2



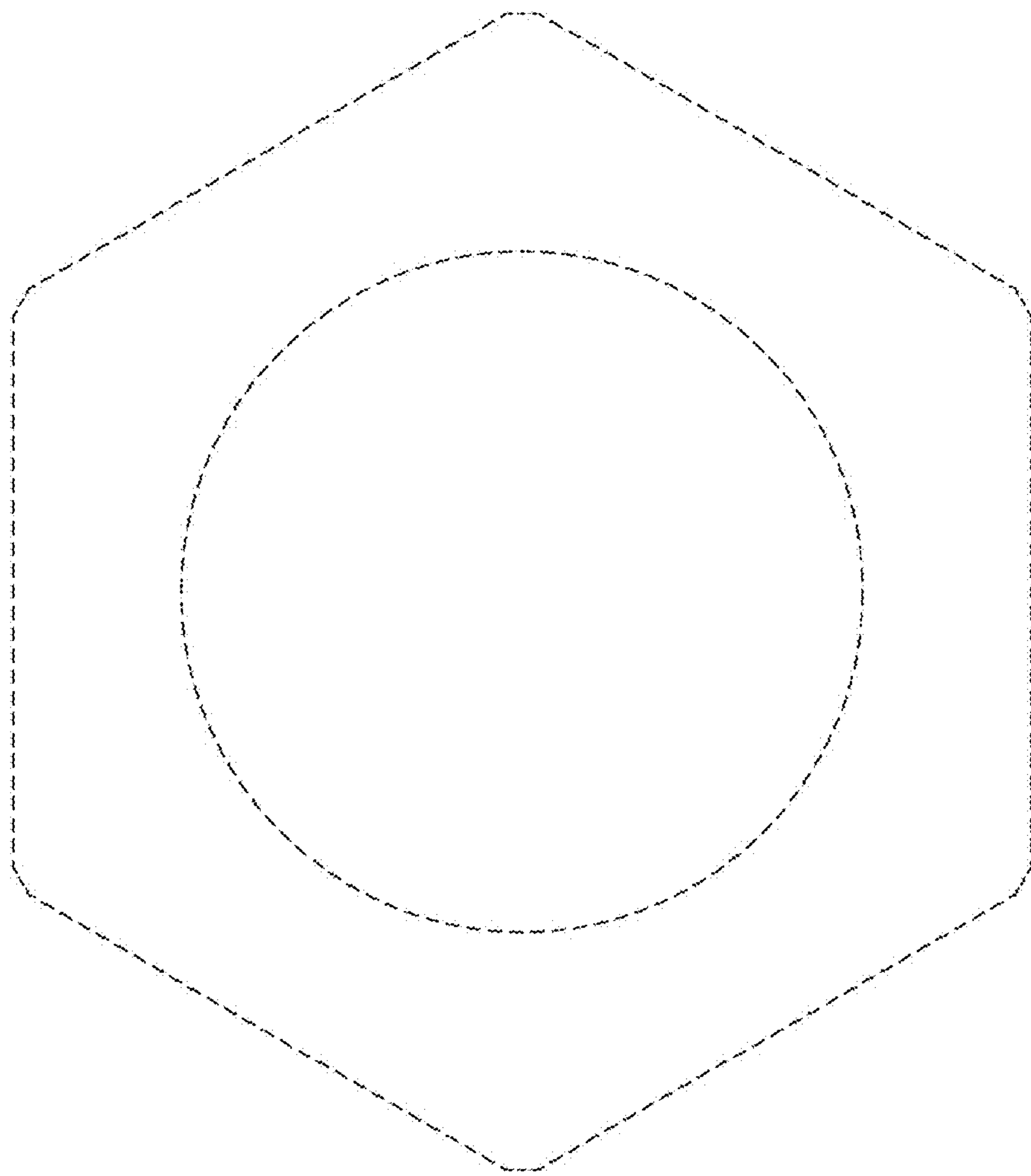
1.3



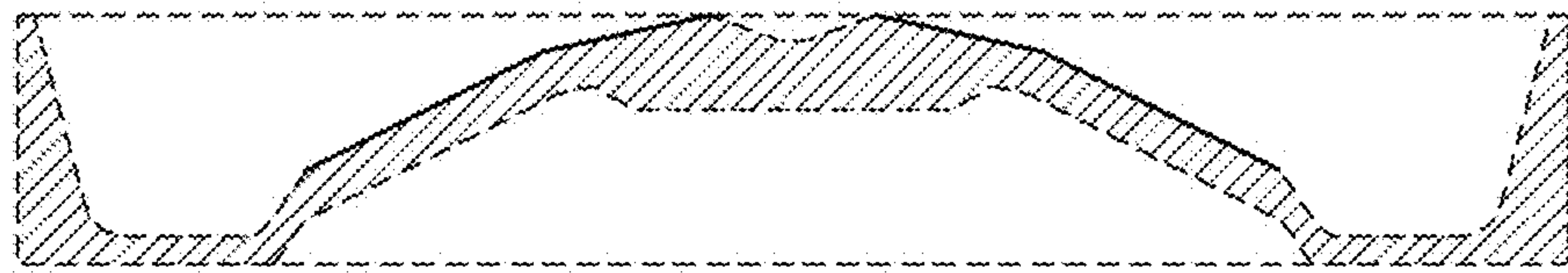
1.4



1.5



1.6



1.7

