



US00D983592S

(12) **United States Design Patent**  
**Hoekstra**

(10) **Patent No.:** **US D983,592 S**  
(45) **Date of Patent:** **\*\* Apr. 18, 2023**

- (54) **AUTOMATIC COOKER**
- (71) Applicant: **The Cookware Company Global Sourcing Limited, Kowloon Bay (HK)**
- (72) Inventor: **Jan Hoekstra, Ghent (BE)**
- (73) Assignee: **The Cookware Company Global Sourcing Limited, Kowloon Bay (HK)**
- (\*\*) Term: **15 Years**
- (21) Appl. No.: **29/801,886**
- (22) Filed: **Aug. 2, 2021**
- (51) **LOC (14) Cl.** ..... **07-02**
- (52) **U.S. Cl.**  
USPC ..... **D7/356; D7/354; D7/357**
- (58) **Field of Classification Search**  
USPC ..... **D7/323, 354-361**  
CPC .. **A47J 27/00; A47J 27/04; A47J 27/05; A47J 27/08; A47J 27/09; A47J 27/092; A47J 36/025; A47J 36/06; A47J 36/08; A47J 36/10; A47J 36/12; A47J 37/12; A47J 37/1204; A47J 37/1209; H05B 6/02; H05B 6/06; H05B 6/12**  
See application file for complete search history.

D830,106 S *	10/2018	Zhang	.....	D7/354
D833,202 S *	11/2018	Yang	.....	D7/354
D833,802 S *	11/2018	Yang	.....	D7/354
D846,332 S *	4/2019	Gill	.....	D7/354
D846,333 S *	4/2019	Gill	.....	D7/354
D860,712 S *	9/2019	Yang	.....	D7/354
D880,930 S *	4/2020	Zhang	.....	D7/354

**OTHER PUBLICATIONS**

Slow Cooker, Housnat 10 in 1 Programmable Cooker. Date First Available on Amazon.com Feb. 21, 2022. <https://www.amazon.com/HOUSNAT-Programmable-Stainless-Steaming-Adjustable/dp/B09J95V2DG/ref> (Year: 2022).\*

\* cited by examiner

*Primary Examiner* — Ricky Pham

(74) *Attorney, Agent, or Firm* — Fresh IP PLC; Clifford D. Hyra; Aubrey Y. Chen

(57) **CLAIM**

The ornamental design for an automatic cooker, as shown and described.

**DESCRIPTION**

FIG. 1 is a top, front, right perspective view of an automatic cooker;  
FIG. 2 is a front view thereof;  
FIG. 3 is a rear view thereof;  
FIG. 4 is a left side view thereof;  
FIG. 5 is a right side view thereof;  
FIG. 6 is a top view thereof; and,  
FIG. 7 is a bottom view thereof.

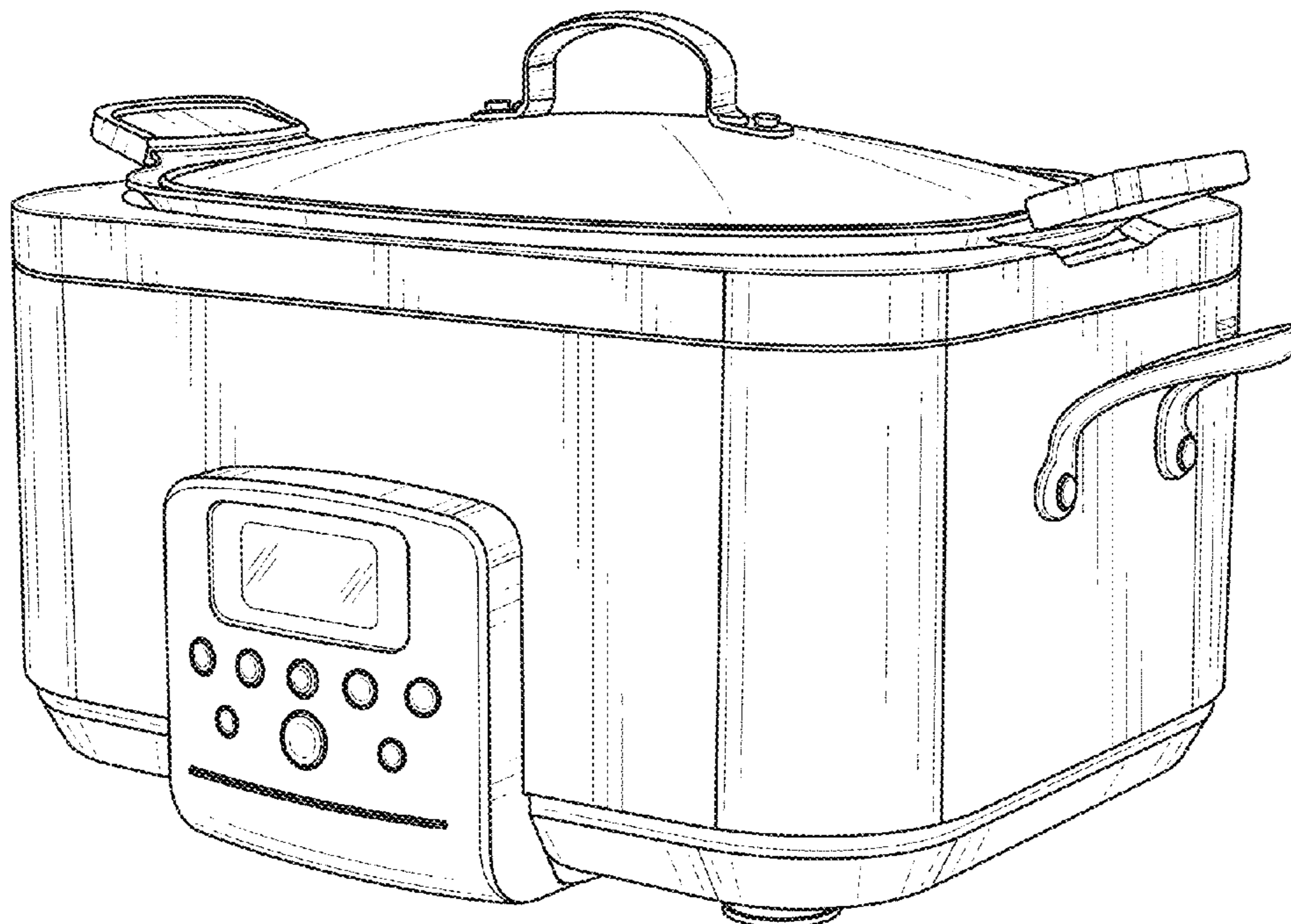
The broken lines in the drawings are included for the purpose of illustrating subject matter that forms no part of the claimed design.

**1 Claim, 7 Drawing Sheets**

(56) **References Cited**

**U.S. PATENT DOCUMENTS**

D556,504 S *	12/2007	Averty	.....	D7/360
D620,744 S *	8/2010	Rose	.....	D7/354
D646,114 S *	10/2011	Wong	.....	D7/354
D657,993 S *	4/2012	Pantaleo	.....	D7/354
D697,363 S *	1/2014	Tu	.....	D7/354
D820,631 S *	6/2018	Ye	.....	D7/357



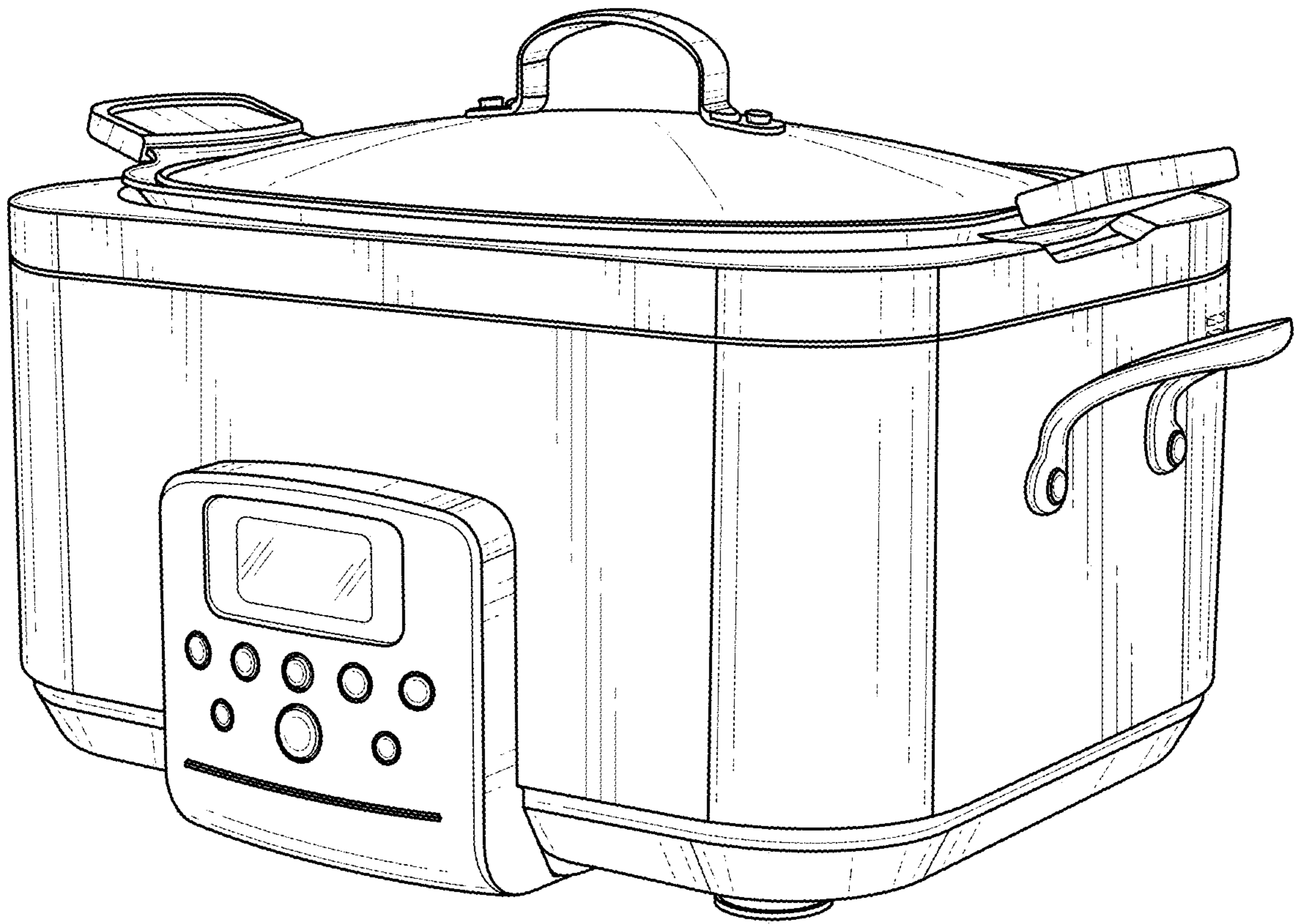


FIG. 1

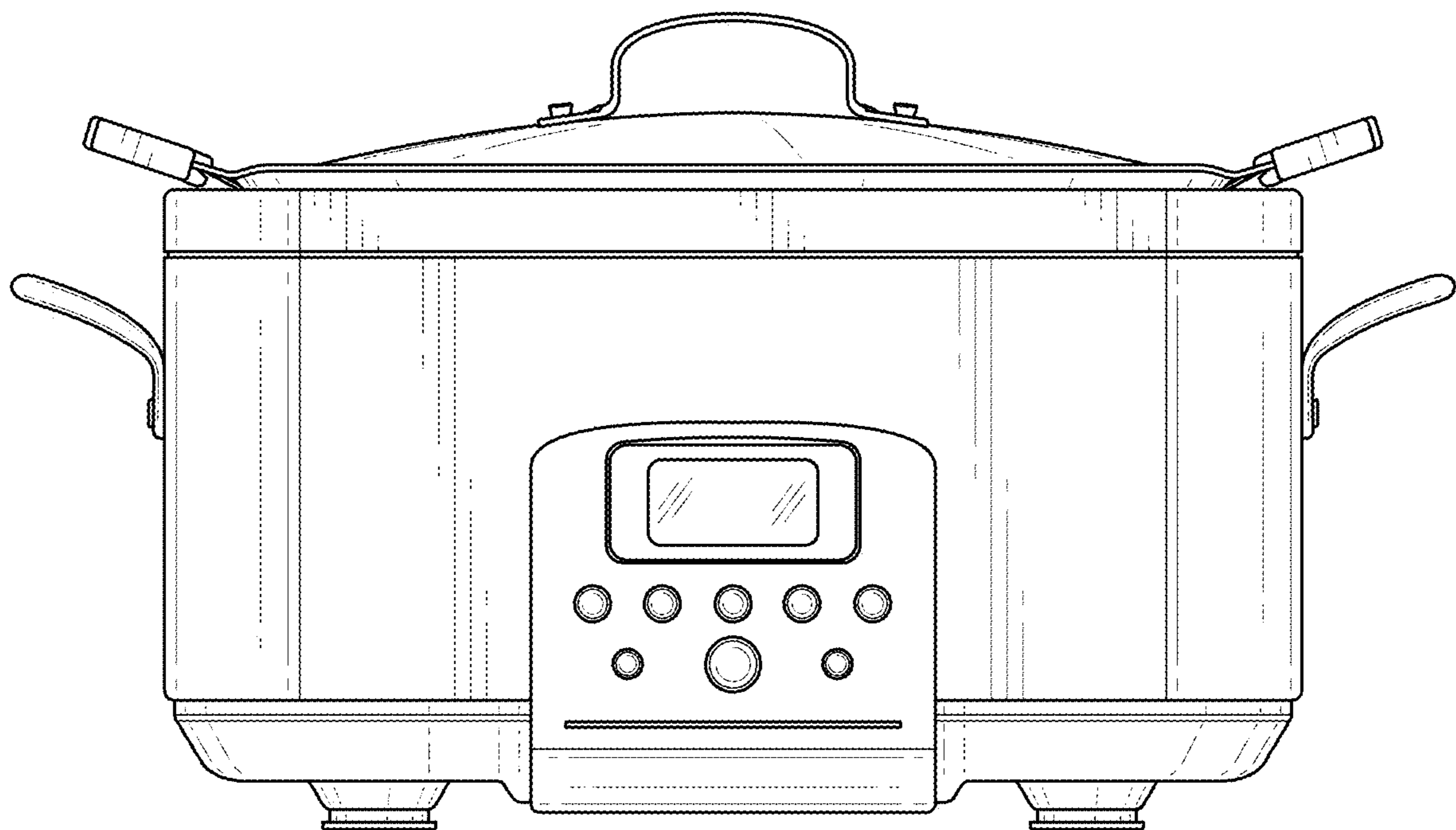


FIG. 2

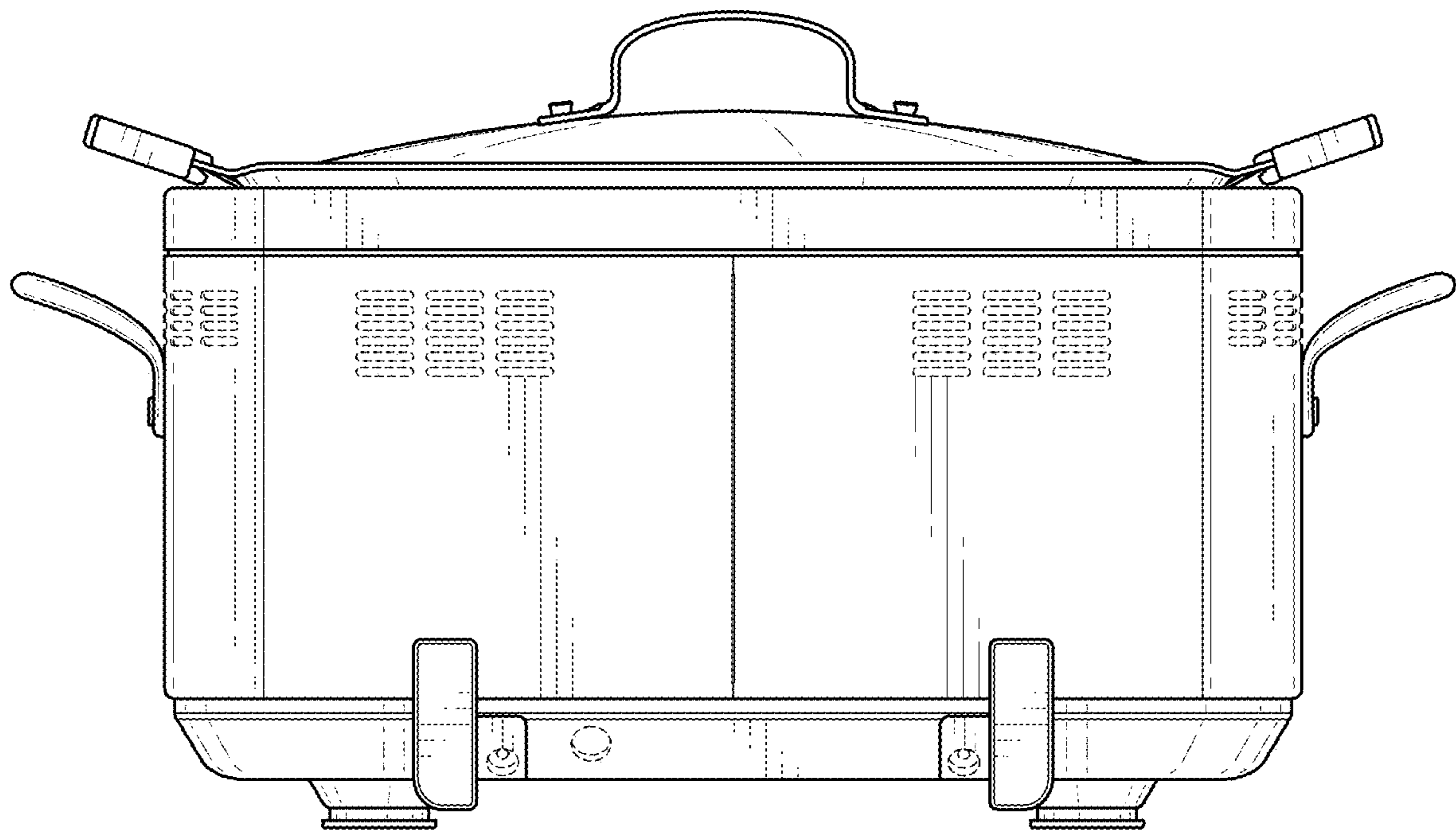


FIG. 3

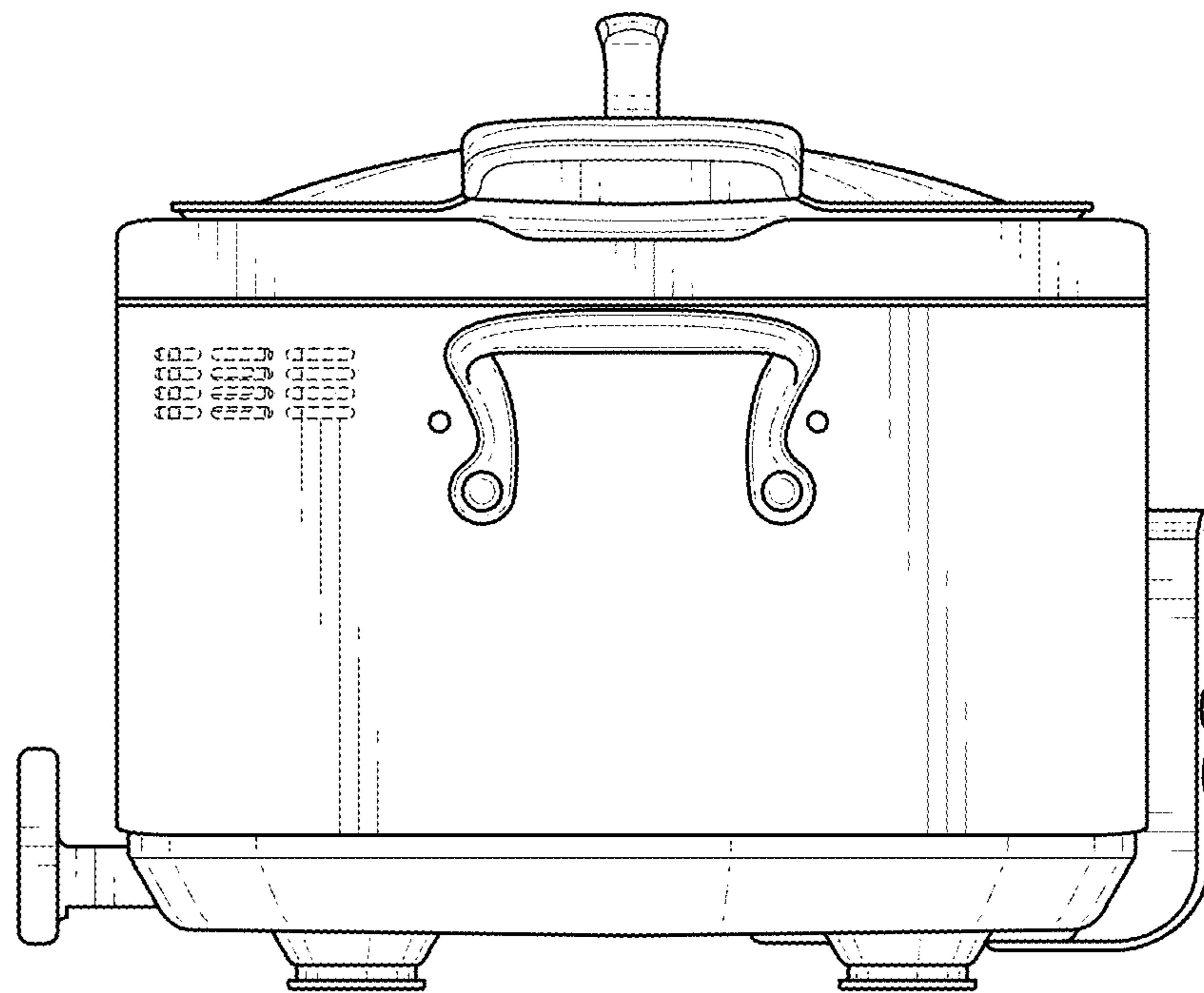


FIG. 4

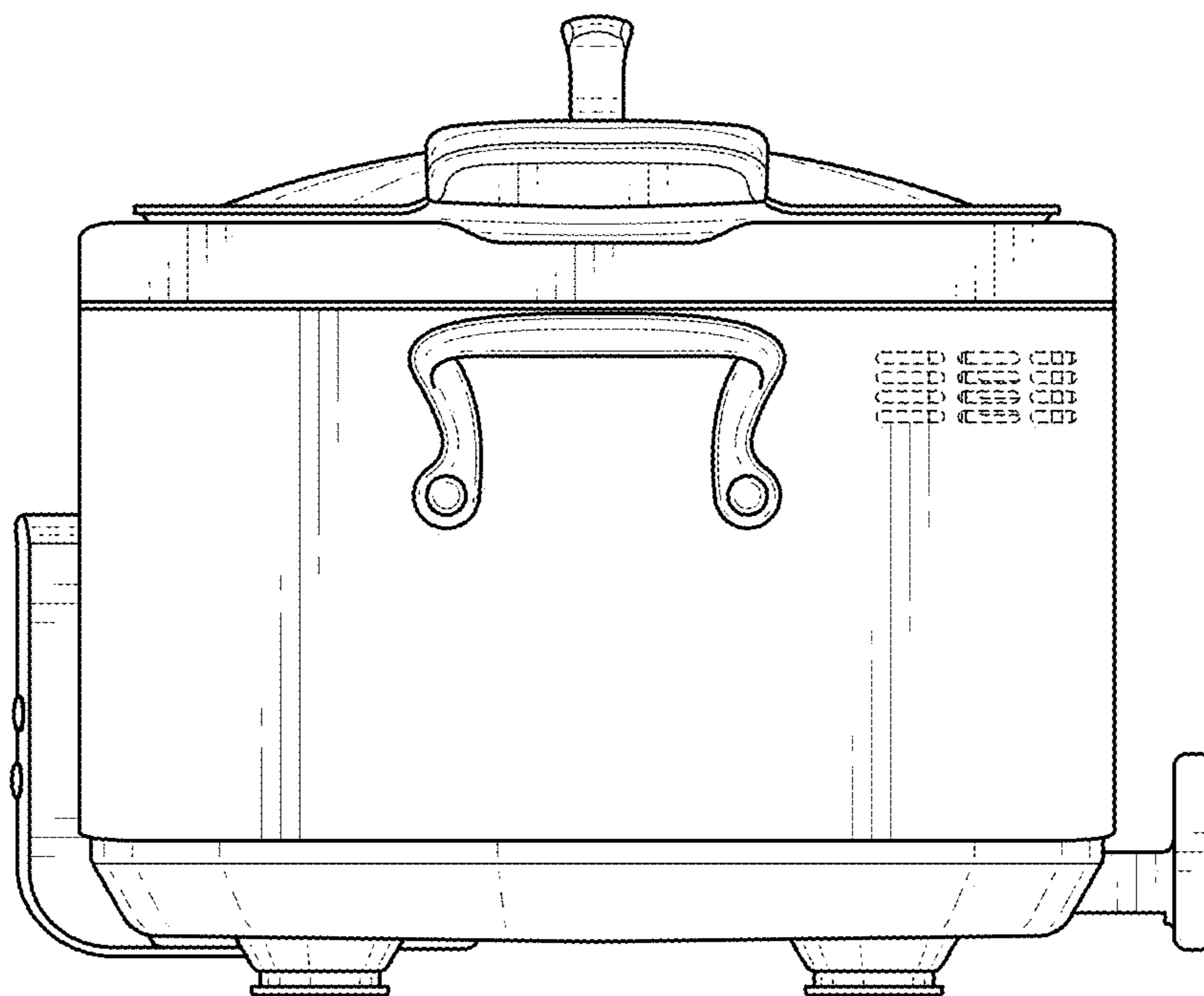


FIG. 5

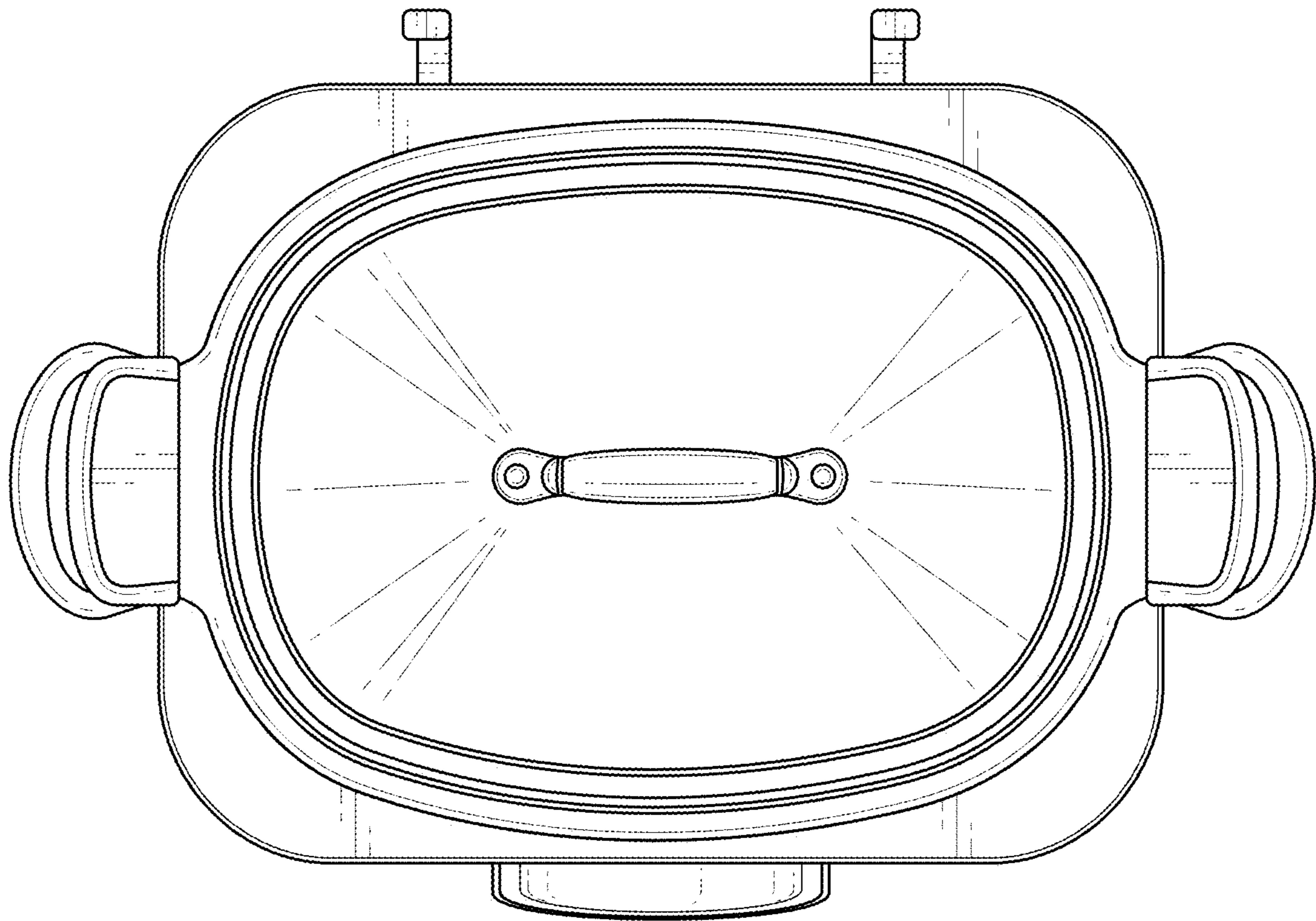


FIG. 6

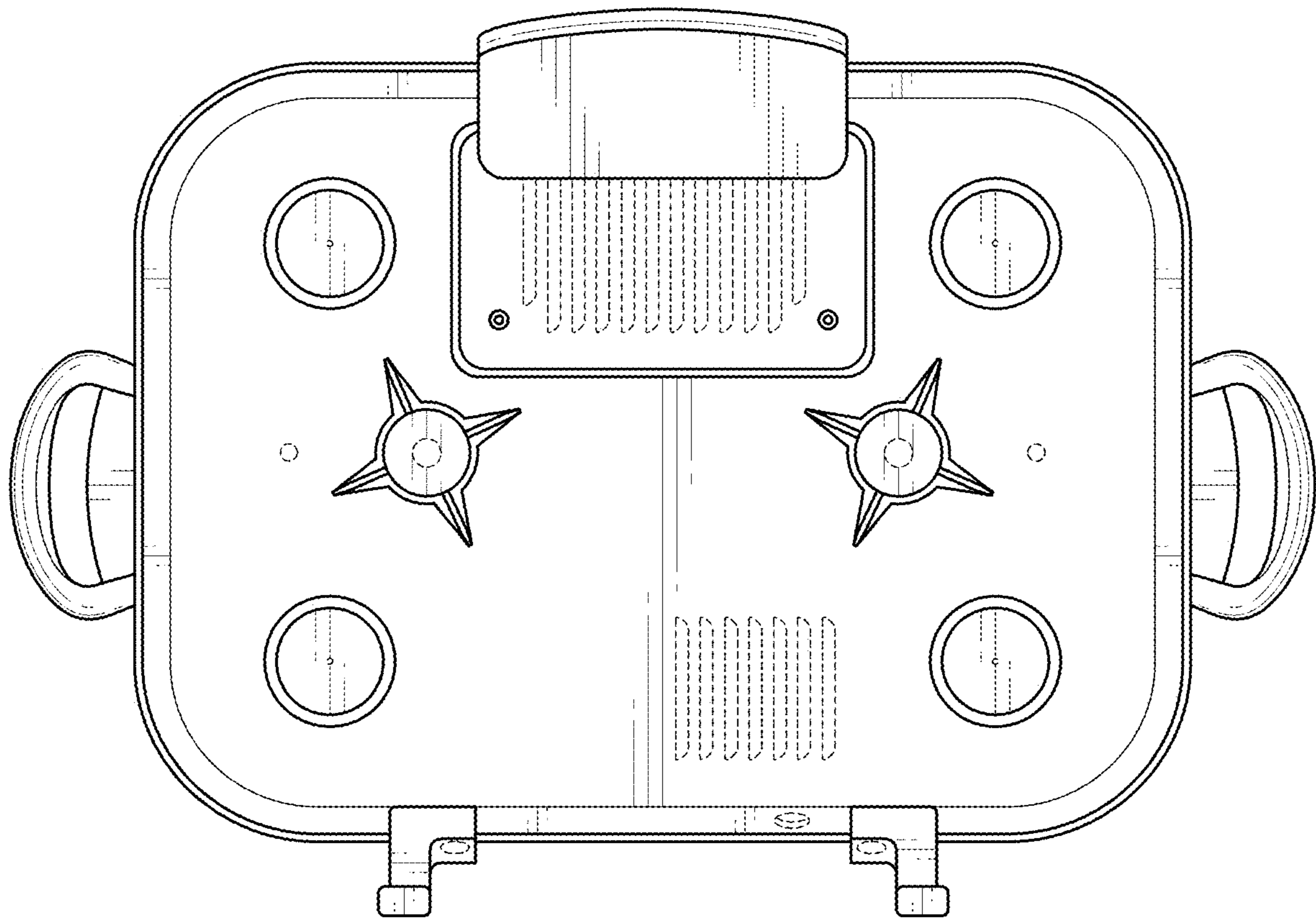


FIG. 7