



US00D983591S

(12) **United States Design Patent**
Han et al.

(10) **Patent No.:** **US D983,591 S**
(45) **Date of Patent:** **** Apr. 18, 2023**

(54) **AIR FRYER**

(71) Applicant: **Samsung Electronics Co., Ltd.**,
Suwon-si (KR)

(72) Inventors: **Gisung Han**, Suwon-si (KR);
Yeonyoung Nam, Suwon-si (KR);
Yeonsu Kim, Suwon-si (KR);
Bokyeong Lee, Suwon-si (KR)

(73) Assignee: **Samsung Electronics Co., Ltd.**,
Suwon-si (KR)

(**) Term: **15 Years**

(21) Appl. No.: **29/809,861**

(22) Filed: **Sep. 30, 2021**

(30) **Foreign Application Priority Data**

Apr. 7, 2021 (KR) 30-2021-0016795

(51) **LOC (14) Cl.** **07-02**

(52) **U.S. Cl.**
USPC **D7/354**

(58) **Field of Classification Search**
USPC ... D7/323, 332, 337, 350.1, 350.3, 354-362,
D7/709

CPC A23L 1/01; A23L 1/0107; A23L 1/0114;
A47J 27/00; A47J 27/08; A47J 27/09;
A47J 27/092; A47J 36/025; A47J 36/06;
A47J 36/08; A47J 36/10; A47J 36/12;
A47J 36/18; A47J 36/20; A47J 36/22;
A47J 36/165; A47J 37/00; A47J 37/0641;
A47J 37/12; A47J 37/129; A47J 37/1204;
A47J 37/1209; A47J 37/1214; A47J
37/1219; A47J 37/1266; A47J 37/1285;
A47J 37/1295; G07F 17/0064; G07F
17/0078; G07F 17/0085; H05B 6/02;
H05B 6/06; H05B 6/12

See application file for complete search history.

(56) **References Cited**

U.S. PATENT DOCUMENTS

D321,110 S * 10/1991 Worrell D7/350.3
D329,163 S * 9/1992 Chang D7/350.3
D360,335 S * 7/1995 Chang D7/350.3
D367,396 S * 2/1996 Hsu D7/350.3

(Continued)

FOREIGN PATENT DOCUMENTS

CN 304879084 S 11/2018
CN 305253629 S 7/2019

(Continued)

OTHER PUBLICATIONS

NutriChef Convection Countertop Toaster Oven. Date First Avail-
able on Amazon.com Aug. 1, 2016. [https://www.amazon.com/
NutriChef-Convection-Countertop-Toaster-Oven/dp/B01JIBO5KW/
ref](https://www.amazon.com/NutriChef-Convection-Countertop-Toaster-Oven/dp/B01JIBO5KW/ref) (Year: 2016).*

(Continued)

Primary Examiner — Ricky Pham

(74) *Attorney, Agent, or Firm* — NSIP Law

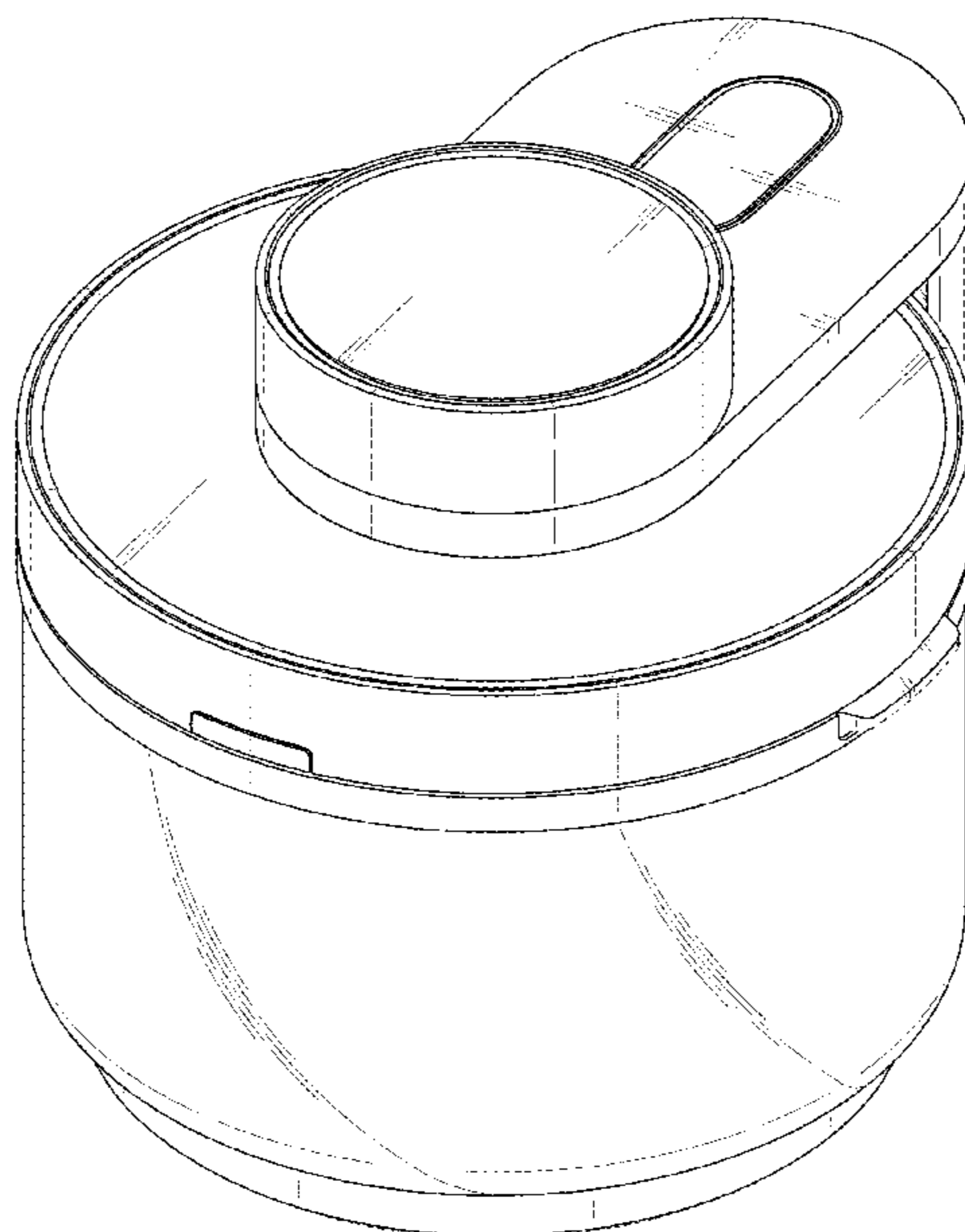
(57) **CLAIM**

We claim the ornamental design for an air fryer, as shown
and described.

DESCRIPTION

FIG. 1 is a front perspective view of an air fryer showing our
new design;
FIG. 2 is a front view thereof;
FIG. 3 is a rear view thereof;
FIG. 4 is a left-side view thereof;
FIG. 5 is a right-side view thereof;
FIG. 6 is a top view thereof; and,
FIG. 7 is a bottom view thereof.
The broken lines in the figures depict portions of the air fryer
which form no part of the claimed design.

1 Claim, 7 Drawing Sheets



(56)

References Cited

U.S. PATENT DOCUMENTS

D496,823 S * 10/2004 Josancy D7/360
D909,813 S 2/2021 Yasuda
D929,792 S * 9/2021 Fransen D7/354
D930,423 S * 9/2021 Wang D7/354
D938,217 S * 12/2021 Luo D7/354
D948,924 S * 4/2022 Huo D7/354
D966,779 S * 10/2022 Zhou D7/354

FOREIGN PATENT DOCUMENTS

CN 306200968 S 12/2020
CN 306228135 S 12/2020
CN 306234897 S 12/2020
CN 306253925 S 12/2020
EM 005588506-0002 8/2018

OTHER PUBLICATIONS

“SF3 Steam Air Fryer / Steam fryer” [2019] www.ifworlddesignguide.com 2019 <<https://ifworlddesignguide.com/entry/284148-sf3-steam-air-fryer>>.

* cited by examiner

FIG. 1

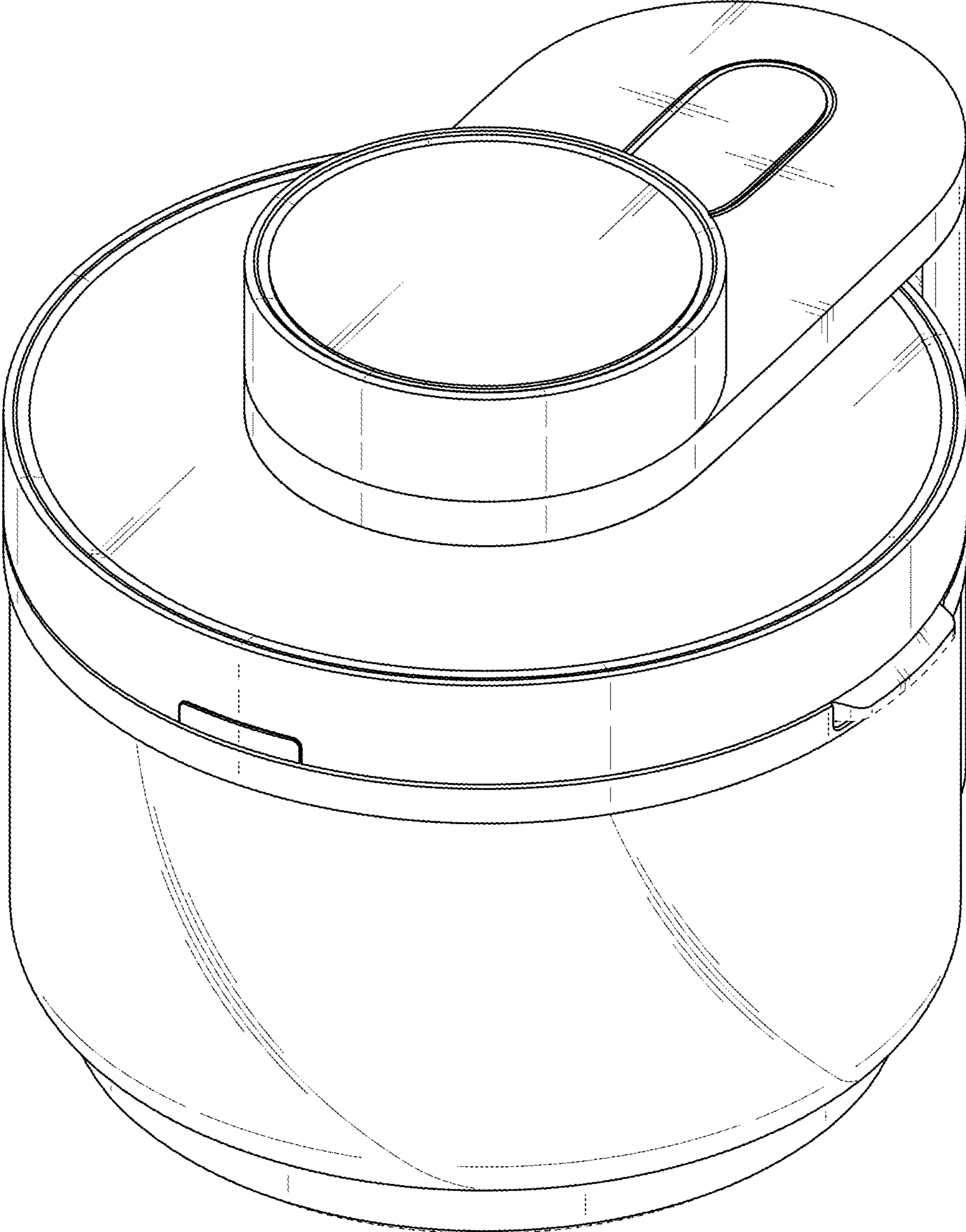


FIG. 2

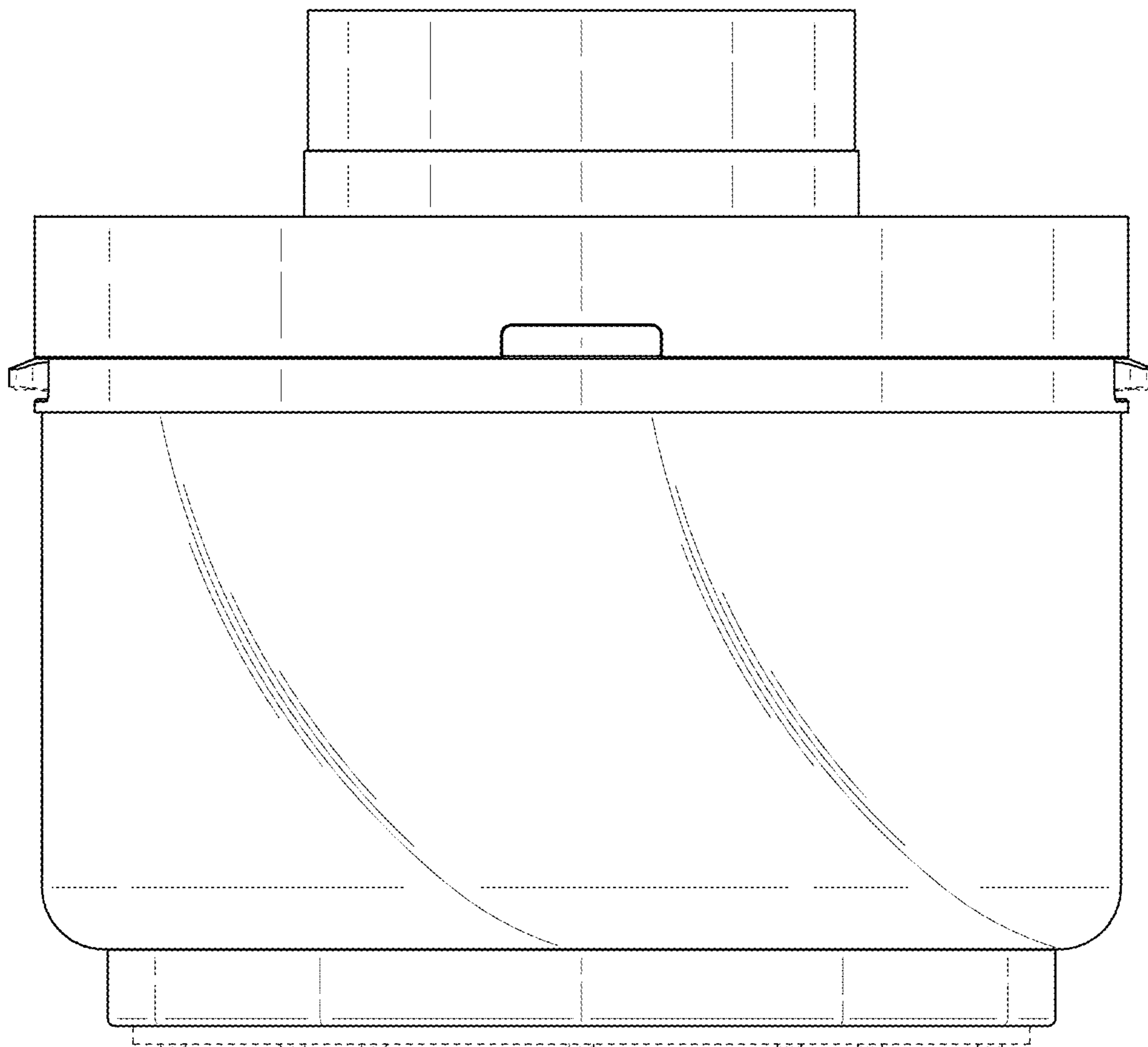


FIG. 3

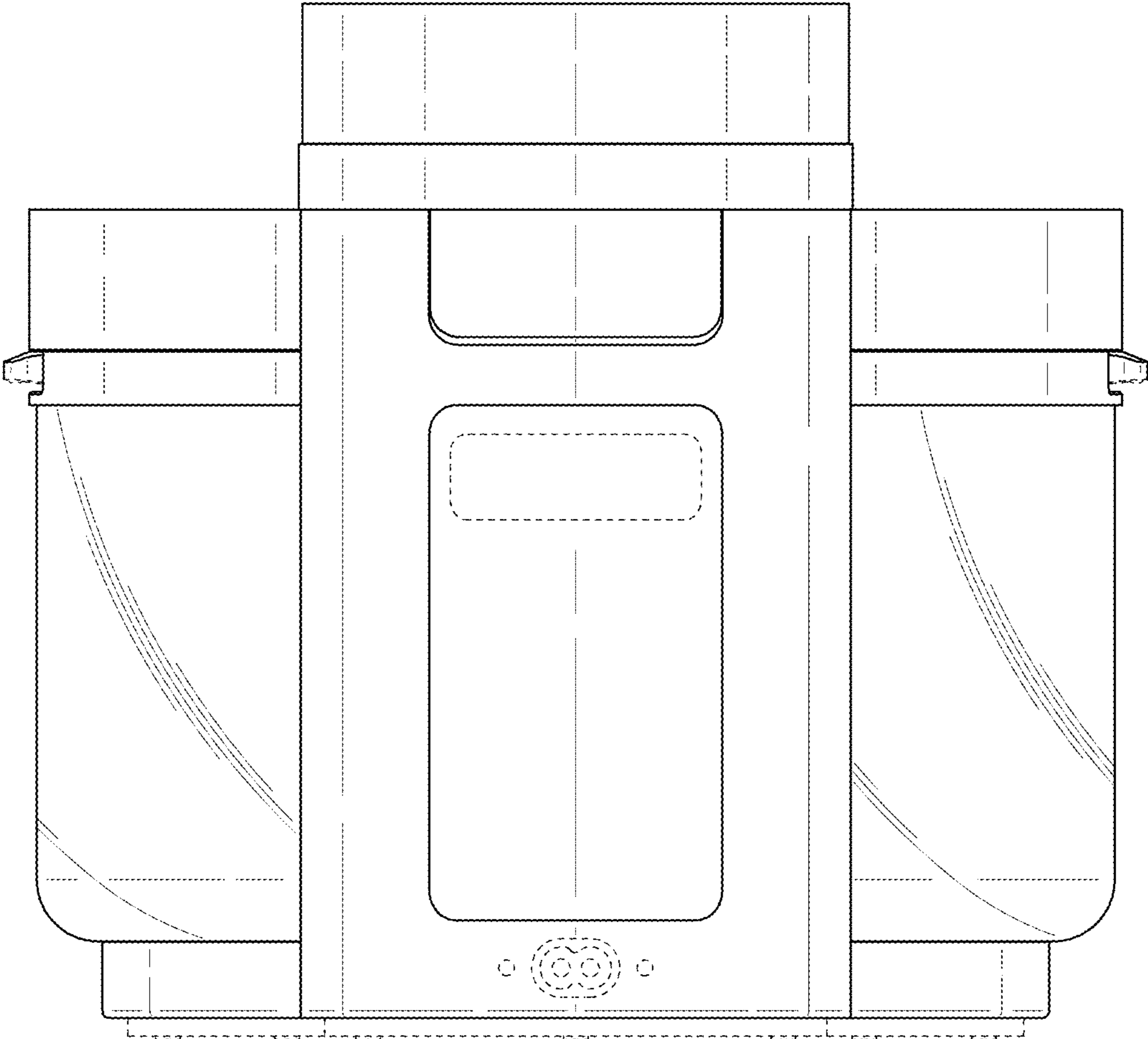


FIG. 4

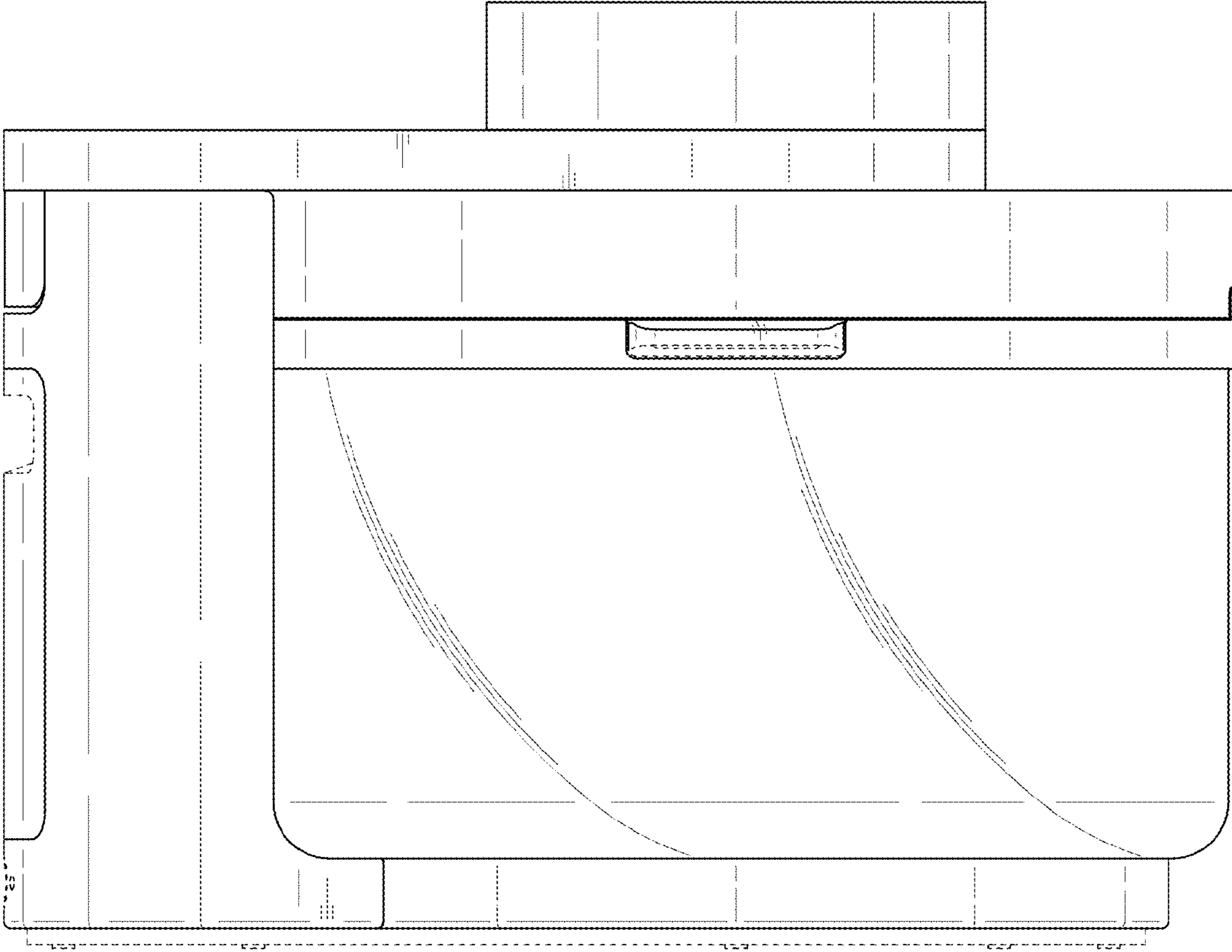


FIG. 5

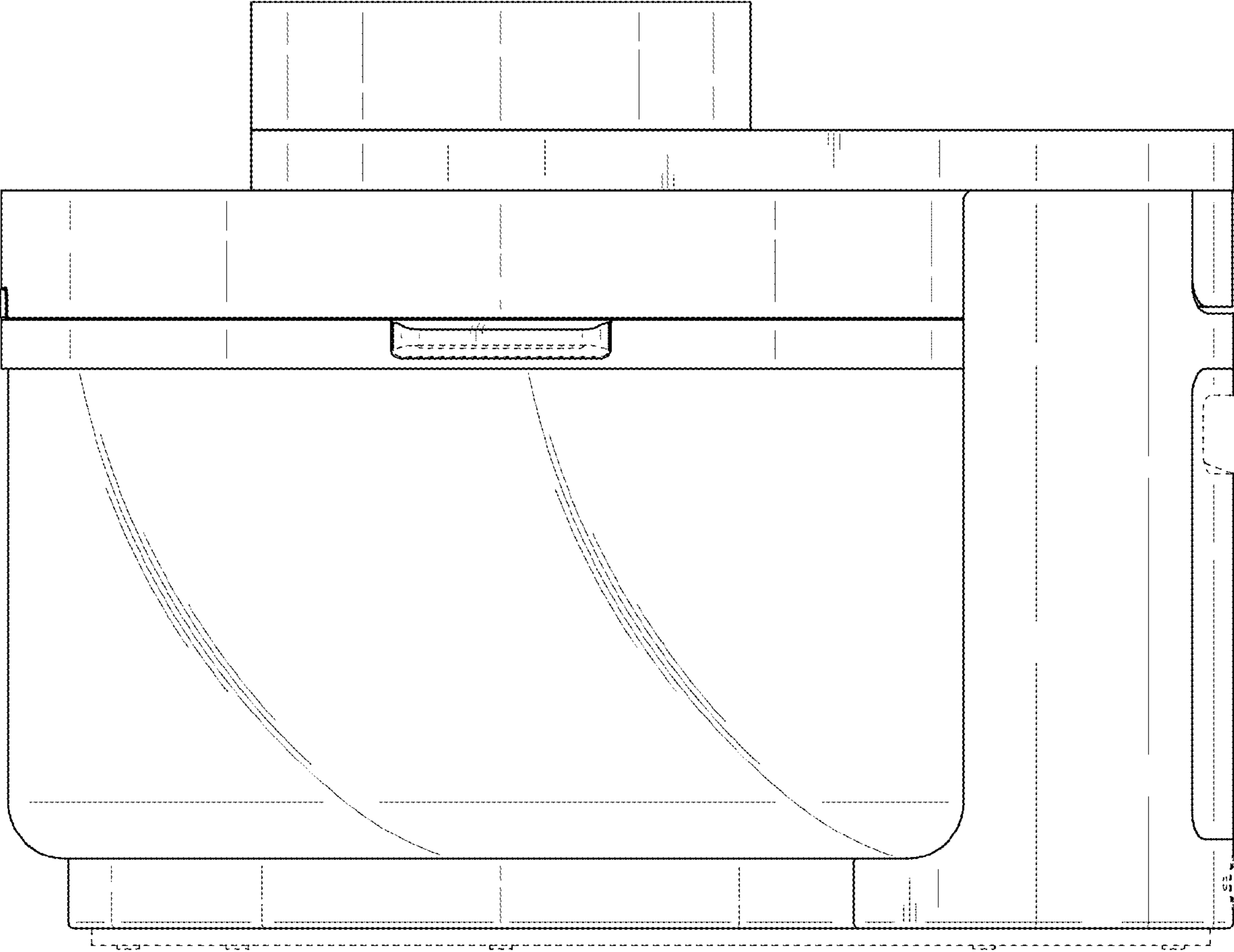


FIG. 6

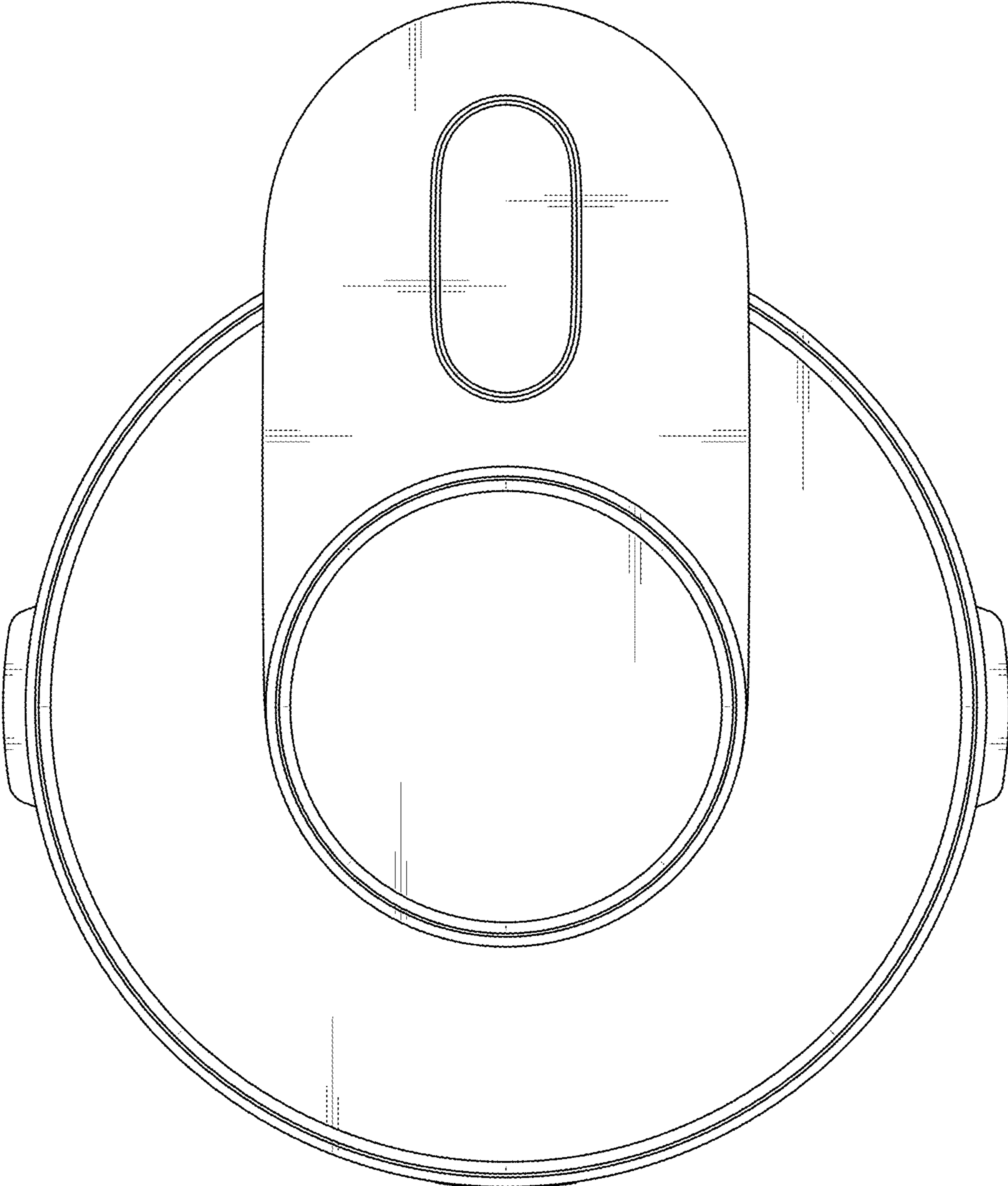


FIG. 7

