



US00D983590S

(12) **United States Design Patent**  
**Kim et al.**

(10) **Patent No.:** **US D983,590 S**  
(45) **Date of Patent:** **\*\* Apr. 18, 2023**

(54) **INDUCTION RANGE**

FOREIGN PATENT DOCUMENTS

(71) Applicant: **Samsung Electronics Co., Ltd.**,  
Suwon-si (KR)

CN 201730187043 9/2017  
CN 201730130908 10/2017

(Continued)

(72) Inventors: **Daejong Kim**, Suwon-si (KR);  
**Yoonjoo Kwon**, Suwon-si (KR);  
**Gisung Han**, Suwon-si (KR); **Jaejun Kim**,  
Suwon-si (KR)

OTHER PUBLICATIONS

The Best Portable Induction Cooktops for the Kitchen, announced  
May 26, 2021 [online], retrieved Dec. 20, 2022, retrieved from  
internet, <https://www.bobvila.com/articles/best-portable-induction-cooktop/>.\*

(Continued)

(73) Assignee: **Samsung Electronics Co., Ltd.**,  
Suwon-si (KR)

*Primary Examiner* — Messina L Smith

(\*\*) Term: **15 Years**

(74) *Attorney, Agent, or Firm* — NSIP Law

(21) Appl. No.: **29/775,968**

(57) **CLAIM**

(22) Filed: **Mar. 26, 2021**

We claim the ornamental design for an induction range, as  
shown and described.

**Related U.S. Application Data**

**DESCRIPTION**

(63) Continuation of application No. 29/708,550, filed on  
Oct. 8, 2019, now Pat. No. Des. 920,026.

FIG. 1 is a front perspective view of a first embodiment of  
an induction range showing our new design;

(30) **Foreign Application Priority Data**

Apr. 8, 2019 (KR) ..... 30-2019-0016443

FIG. 2 is a front view thereof;

(51) **LOC (14) Cl.** ..... **07-02**

FIG. 3 is a rear view thereof;

(52) **U.S. Cl.**

USPC ..... **D7/346**

FIG. 4 is a left-side view thereof;

(58) **Field of Classification Search**

USPC ..... D7/323, 328, 329, 339, 340, 341, 342,

FIG. 5 is a right-side view thereof;

D7/343, 344, 345, 346, 347, 348, 349,

FIG. 6 is a top view thereof;

(Continued)

FIG. 7 is a bottom view thereof;

(56) **References Cited**

**U.S. PATENT DOCUMENTS**

D236,183 S \* 8/1975 Greger ..... D7/363

4,173,823 A 11/1979 Anderson et al.

(Continued)

FIG. 8 is an enlarged view of the encircled portion in FIG.  
4;

FIG. 9 is a front perspective view of the induction range in  
a state of use;

FIG. 10 is an exploded view thereof showing the induction  
range in a state of use;

FIG. 11 is a front perspective view of a second embodiment  
of the induction range showing our new design;

FIG. 12 is a front view thereof;

FIG. 13 is a rear view thereof;

FIG. 14 is a left-side view thereof;

FIG. 15 is a right-side view thereof;

FIG. 16 is a top view thereof;

(Continued)

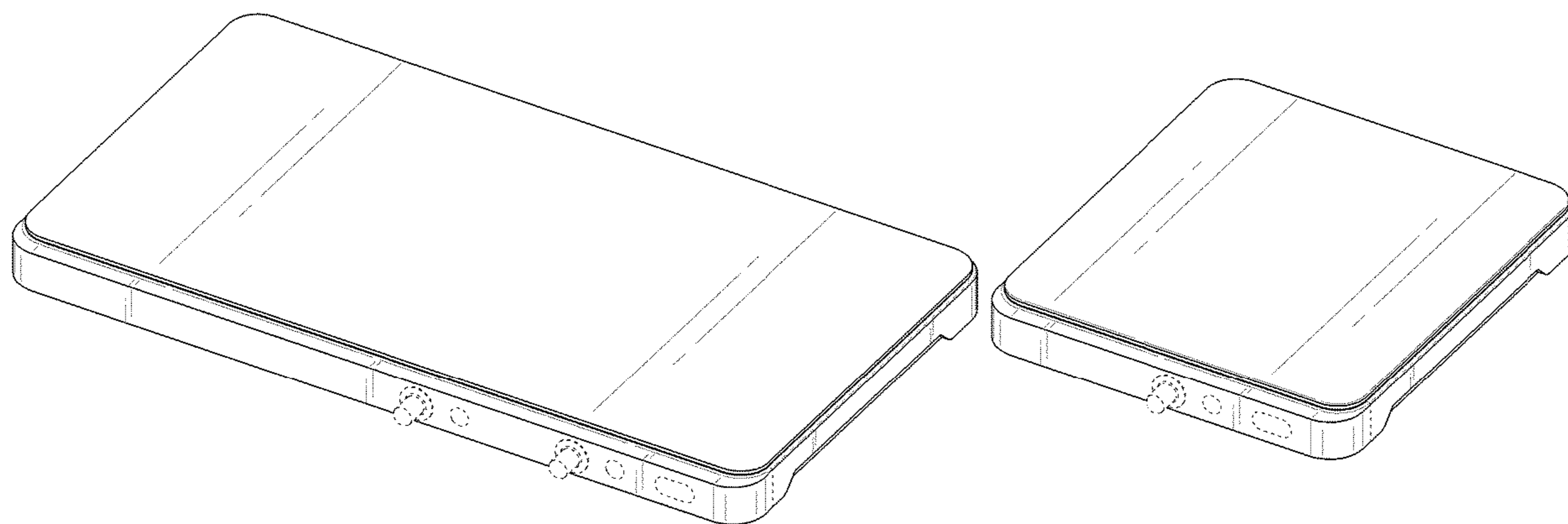


FIG. 17 is a bottom view thereof; and, FIG. 18 is an enlarged view of the encircled portion in FIG. 14.

The broken lines in the drawings depict portions of the induction range that form no part of the claimed design.

The dot-dashed broken lines encircling portions of the claimed design that are shown in enlargements form no part of the claimed design.

**1 Claim, 14 Drawing Sheets**

(58) **Field of Classification Search**

USPC ..... D7/351, 362, 363, 364, 367, 390, 402, D7/403, 404, 405, 406, 407, 408; D21/523, 524; D6/703, 703.2  
 CPC ..... A21B 1/00; A21B 1/02; A21B 1/52; A47J 37/00; A47J 37/04; A47J 37/06; A47J 37/0623; A47J 37/0629; A47J 37/0676; A47J 37/08; A47J 37/0864; F24C 1/00; F24C 3/00; F24C 3/002; F24C 3/008; F24C 5/00; F24C 7/00; F24C 7/002; F24C 7/043; F24C 7/046; F24C 7/062; F24C 11/00; F24C 15/02; F24C 15/04; F24C 15/10

See application file for complete search history.

(56) **References Cited**

U.S. PATENT DOCUMENTS

D402,156 S	*	12/1998	Meyer	.....	D7/407
D546,619 S	*	7/2007	McHutchison	.....	D7/352
D621,205 S		8/2010	Yeung		
D658,429 S		5/2012	Berge		
D678,875 S		3/2013	Chen		
D689,483 S		9/2013	Wu et al.		
D692,420 S		10/2013	McManigal et al.		
D696,894 S		1/2014	Meda et al.		
D704,506 S		5/2014	Boo et al.		
D732,333 S	*	6/2015	Mercier	.....	D7/323
D743,731 S		11/2015	Dumont et al.		
D775,097 S		12/2016	Husgafvel et al.		
D778,867 S		2/2017	Husgafvel et al.		
D783,600 S		4/2017	Green et al.		
D796,499 S		9/2017	Lee		
D807,348 S		1/2018	Wang et al.		
D828,321 S		9/2018	Yeom		
D836,375 S	*	12/2018	Chung	.....	F24C 15/12 D7/346
D836,384 S		12/2018	Hosoda		
D856,742 S	*	8/2019	Mano	.....	D7/346
D856,743 S		8/2019	Mano		
D864,949 S		10/2019	Akana et al.		

D865,435 S		11/2019	Basssill		
D872,075 S		1/2020	Kim et al.		
D873,819 S		1/2020	Harsacky		
D879,772 S		3/2020	Wall et al.		
D881,830 S		4/2020	Fan et al.		
D883,944 S		5/2020	Matsuoka et al.		
D883,945 S		5/2020	Park et al.		
D884,412 S		5/2020	Tan et al.		
D920,026 S	*	5/2021	Kim	.....	D7/346
2017/0142780 A1	*	5/2017	Hoare	.....	H05B 6/062
2018/0332998 A1	*	11/2018	Schmidt	.....	H05B 6/065
2020/0370762 A1	*	11/2020	Zhang	.....	F24D 13/024

FOREIGN PATENT DOCUMENTS

CN	201730549847	5/2018
KR	30-2018-0012928	11/2018
KR	30-2018-0026042	2/2019
KR	301098453.0000	* 3/2021
KR	301134704.0000	* 11/2021
KR	301167143.0000	* 6/2022
KR	301170793.0000	* 7/2022
WO	WO D205903-001	9/2019

OTHER PUBLICATIONS

Samsung Portable Slim Double Induction 2-Burner Stove, announced Jan. 7, 2020 [online], retrieved Dec. 20, 2022, retrieved from internet, <https://thegadgetflow.com/portfolio/samsung-portable-slim-double-induction-2-burner-stove/>.\*

Samsung Induction The Plate, announced © 2022 [online], retrieved Dec. 20, 2022, retrieved from internet, <https://shopee.com.my/Samsung-Induction-The-Plate-Electric-range-Korea-i.325233270.4758450222>.\*

Samsung Electronics receives seven awards at Idea 2012, announced Jul. 10, 2012 [online], retrieved Dec. 20, 2022, retrieved from internet, <https://news.samsung.com/global/samsung-electronics-receives-seven-awards-at-idea-2012>.\*

Samsung Portable Slim Double Induction Cooktop, announced Jan. 8, 2020 [online], retrieved Dec. 2, 2020, retrieved from internet, <http://www.dudeiwantthat.com/household/kitchen/samsung-portable-slim-double-induction-cooktop.asp>.

Samsung Portable Slim Double Induction is a sleek two-burner stove, announced Jan. 27, 2020 [online], retrieved Dec. 2, 2020, retrieved from internet, <https://dlmag.com/samsung-portable-slim-double-induction-is-a-sleek-two-burner-stove/>.

Samsung Portable Slim Double Induction, announced © 2003-2020 [online], retrieved Dec. 2, 2020, retrieved from internet, <https://www.ces.tech/Innovation-Awards/Honorees/2020/Honorees/S/Samsung-Portable-Slim-Double-Induction.aspx>.

Samsung Induction The Plate Cooktop, announced Jun. 18, 2020 [online], retrieved Dec. 2, 2020, retrieved from internet, <https://www.ebay.com/itm/Samsung-Induction-The-Plate-Cooktop-Black-NZ31T3703OK-Power-Booster-220V-60Hz-/333628822251>.

\* cited by examiner

FIG. 1

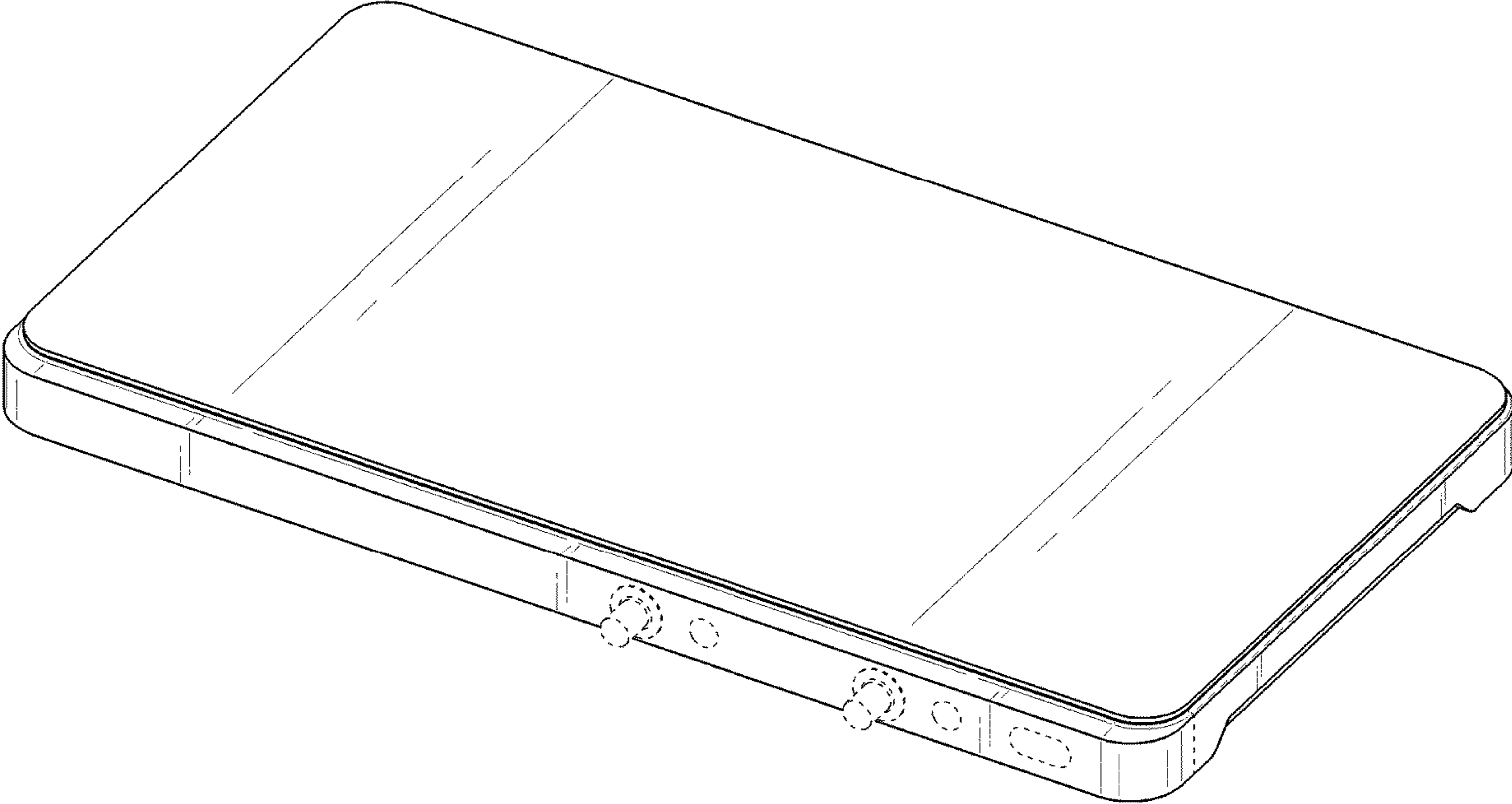




FIG. 2

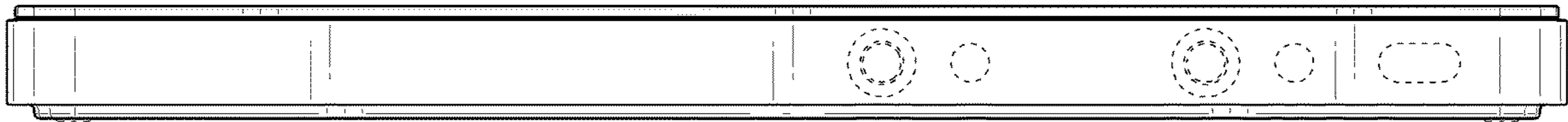


FIG. 3



FIG. 4

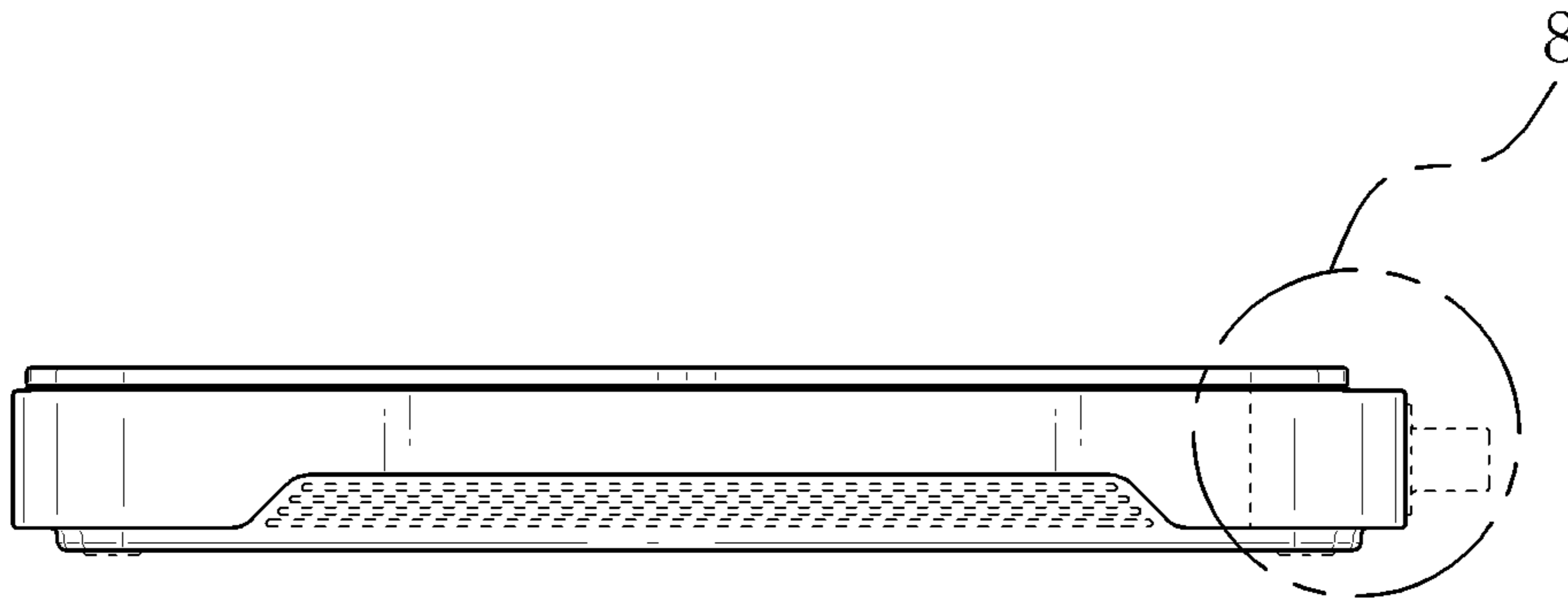


FIG. 5

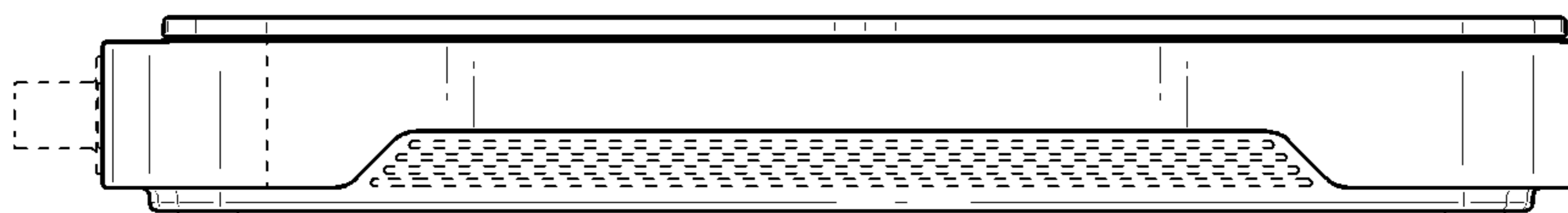


FIG. 6

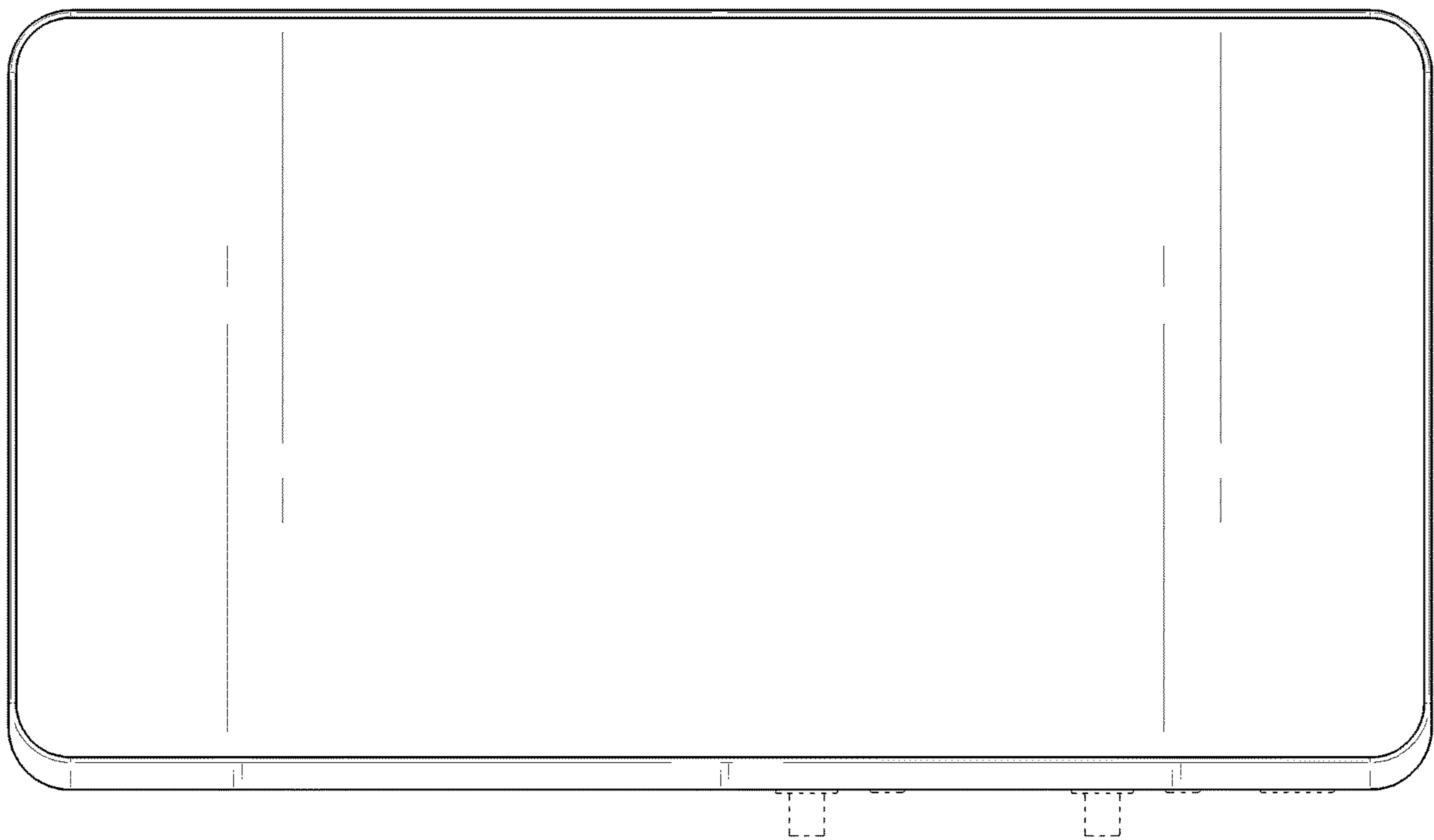


FIG. 7

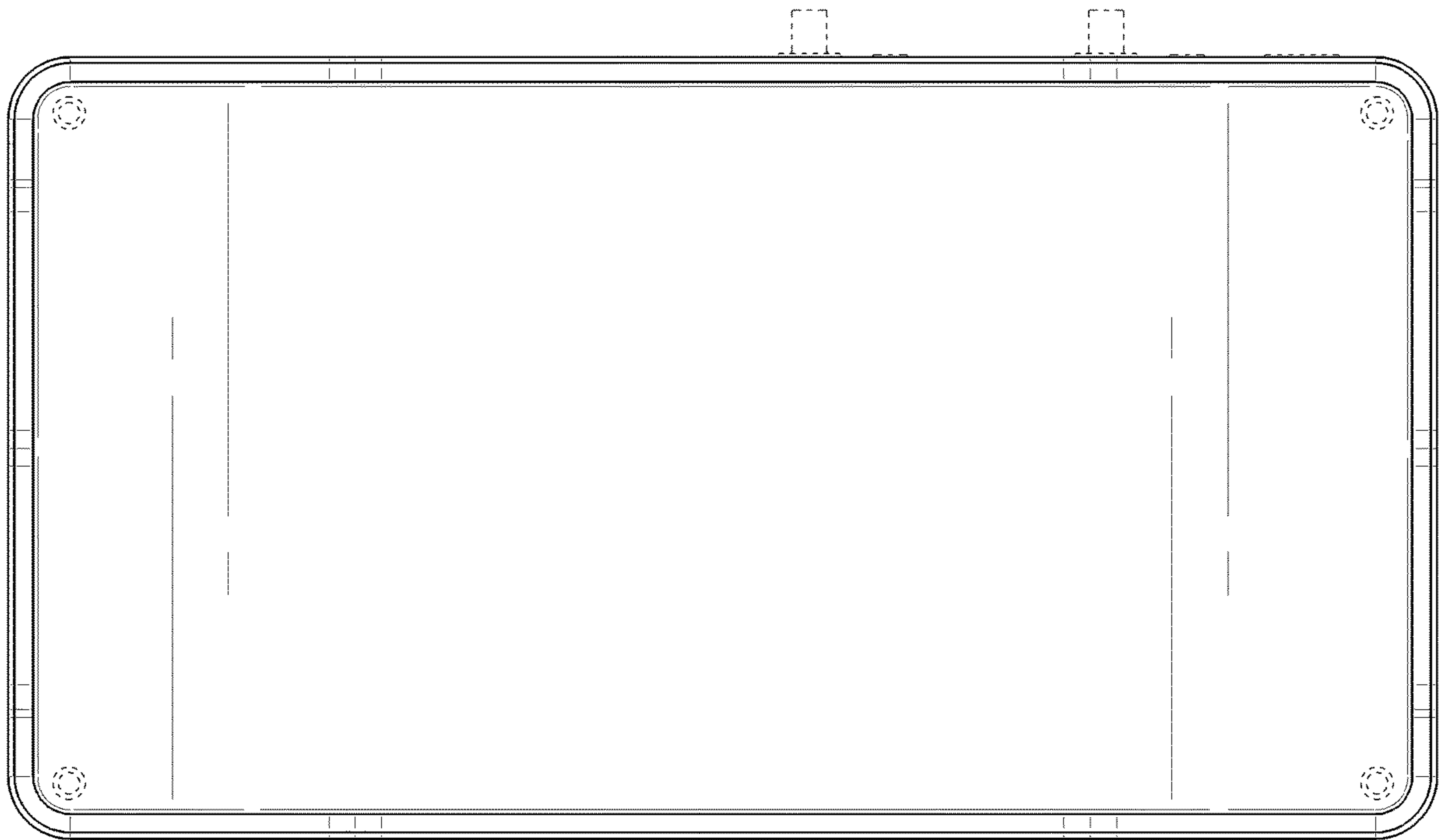


FIG. 8

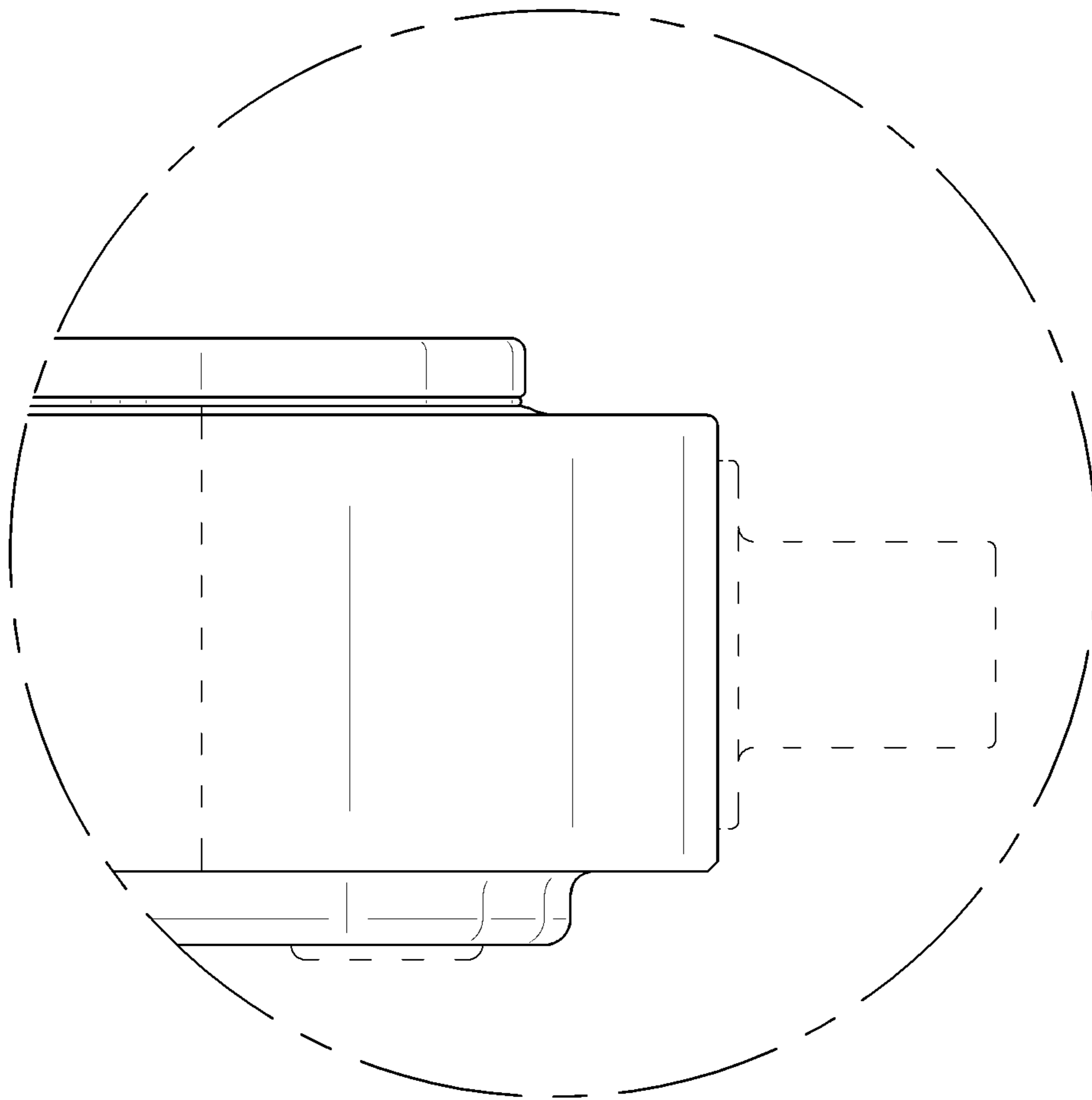




FIG. 9

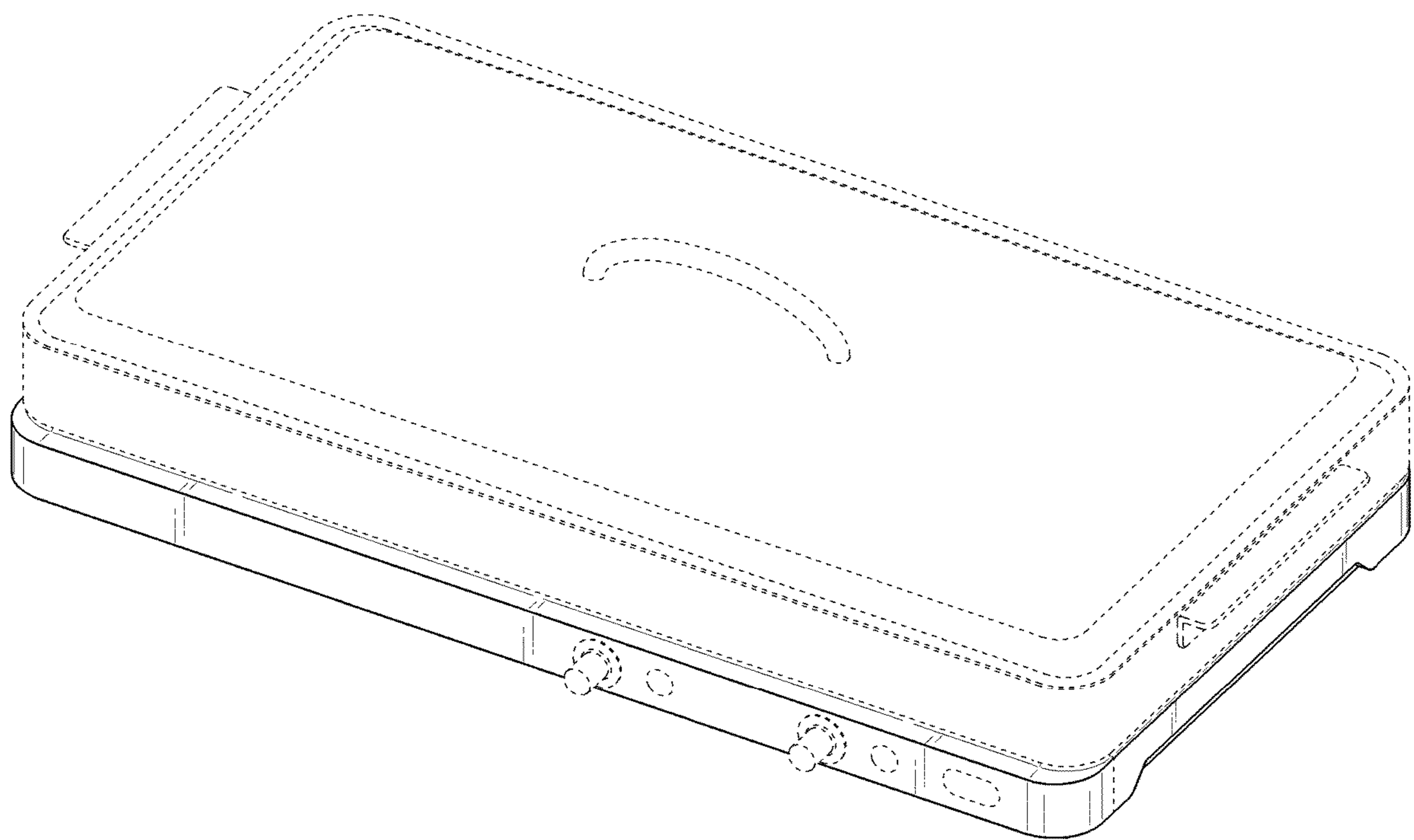


FIG. 10

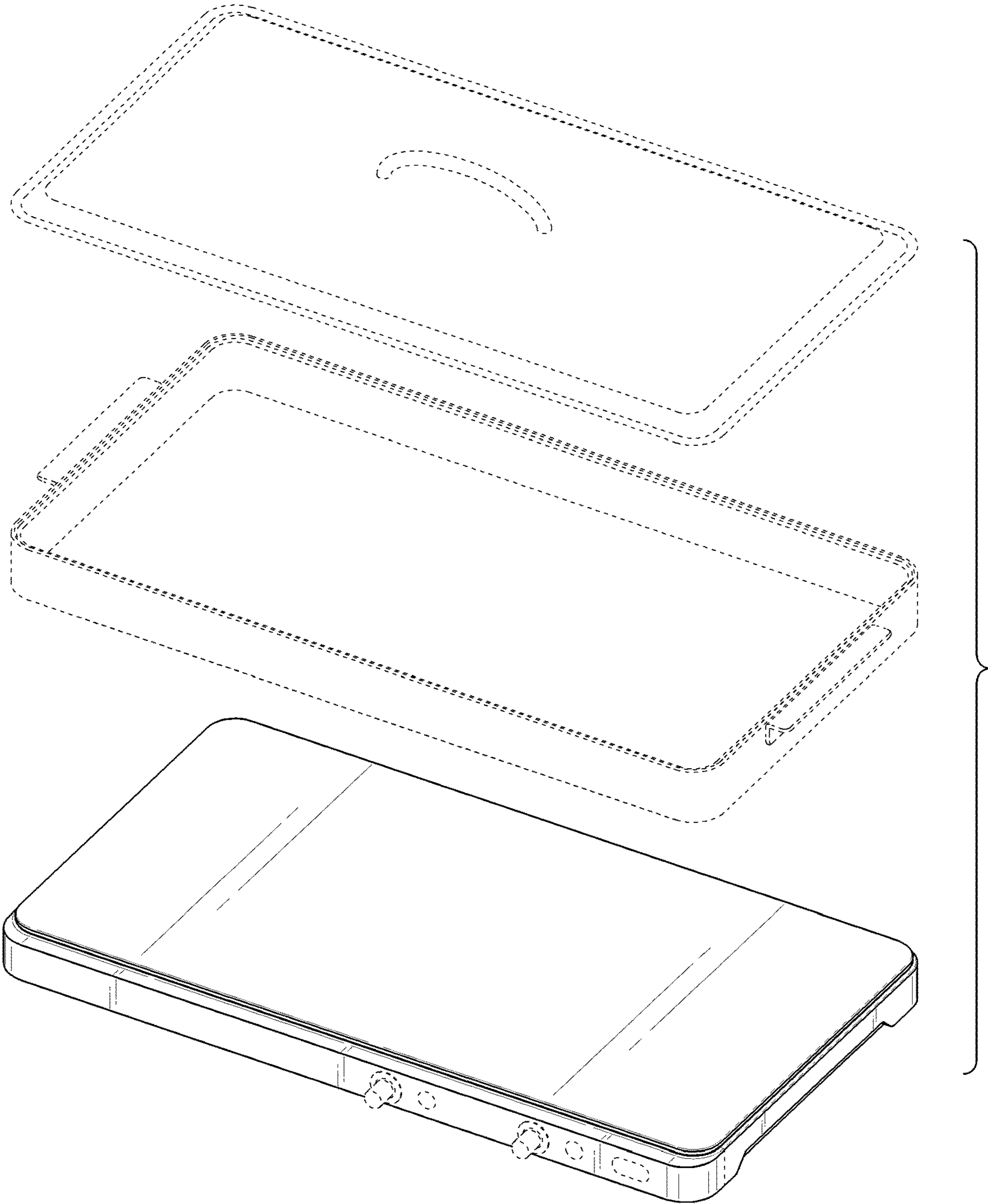


FIG. 11

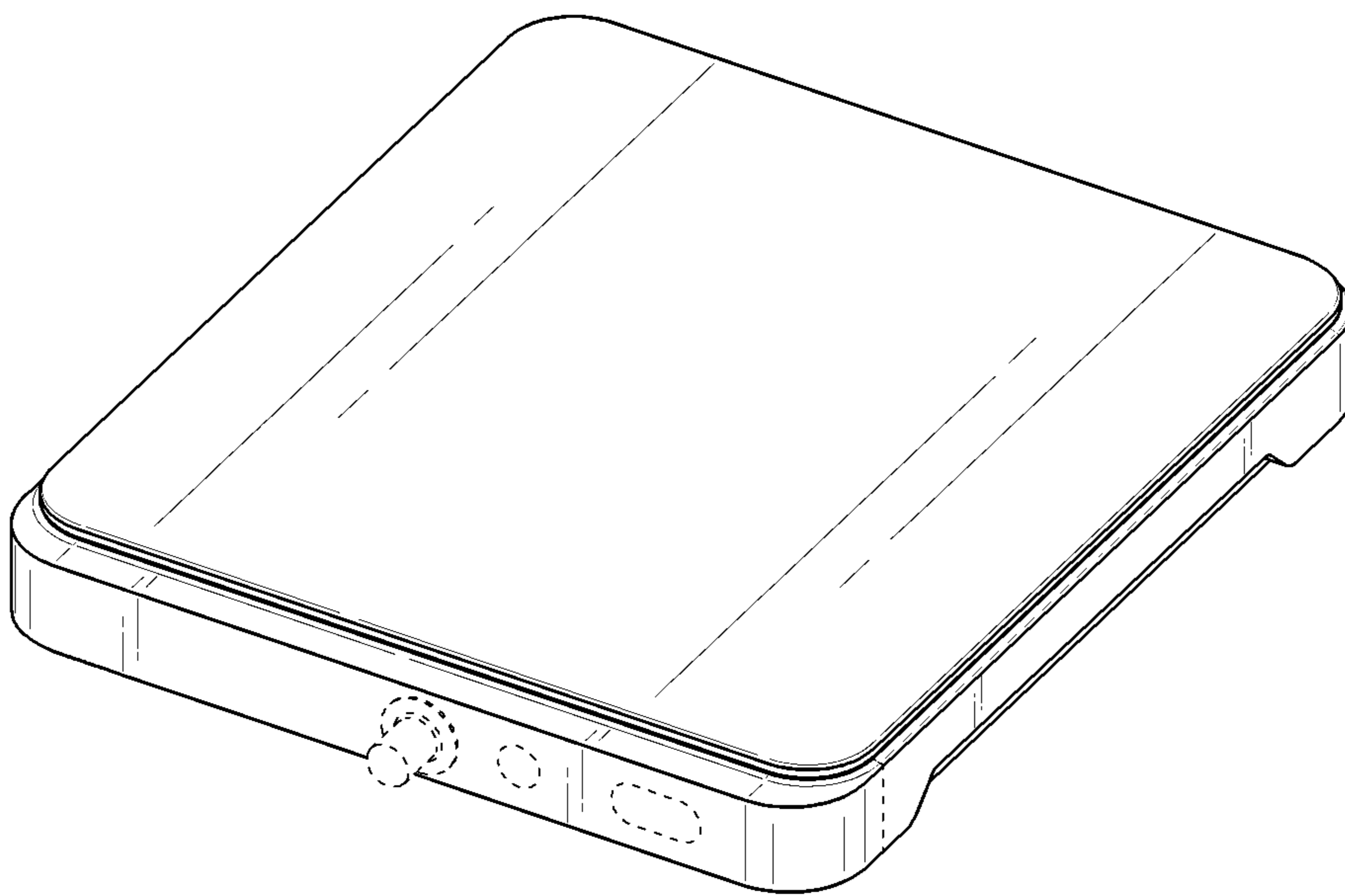


FIG. 12

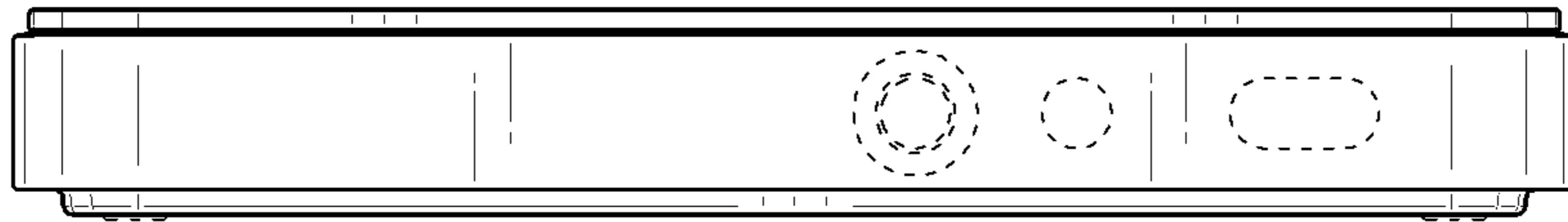


FIG. 13

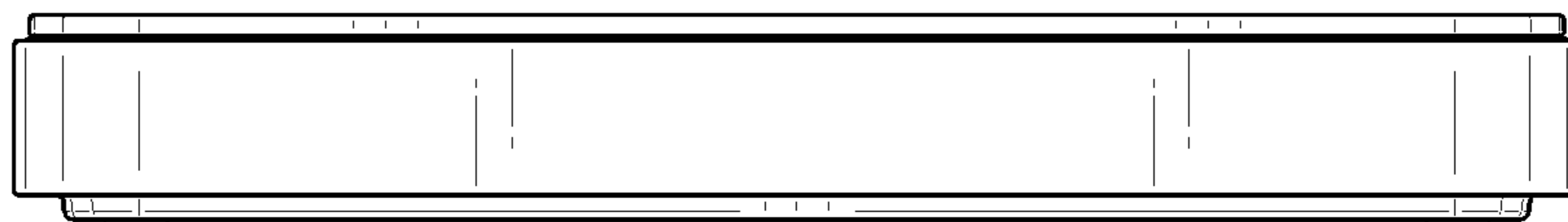


FIG. 14

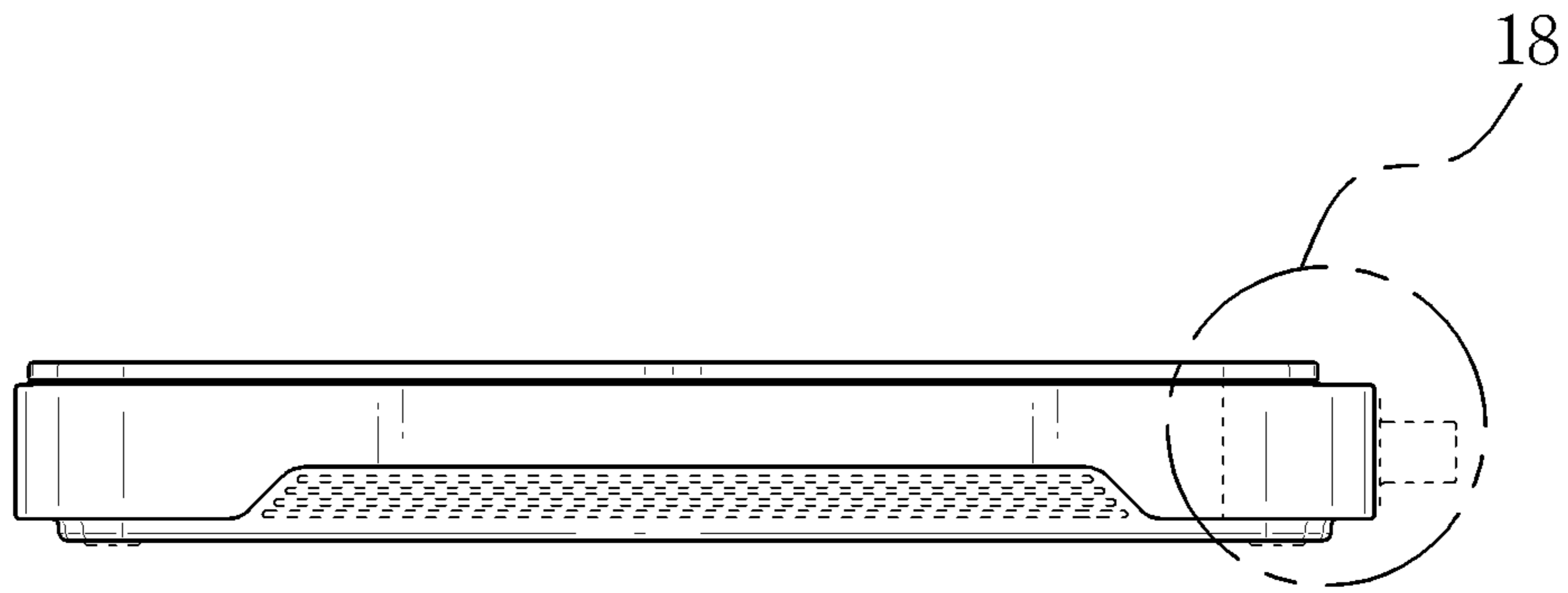


FIG. 15

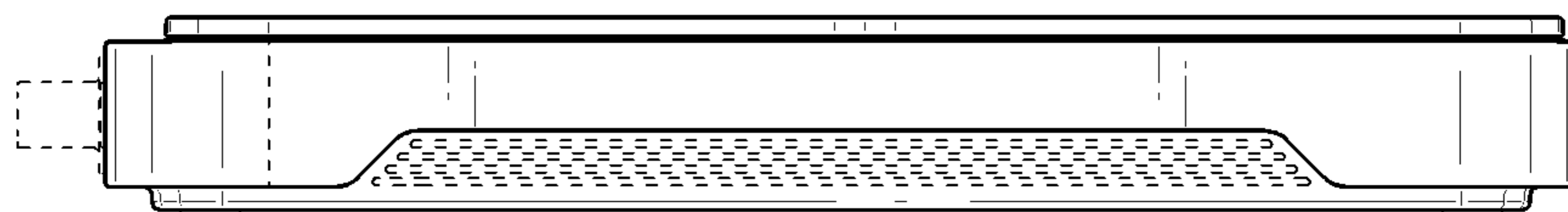


FIG. 16

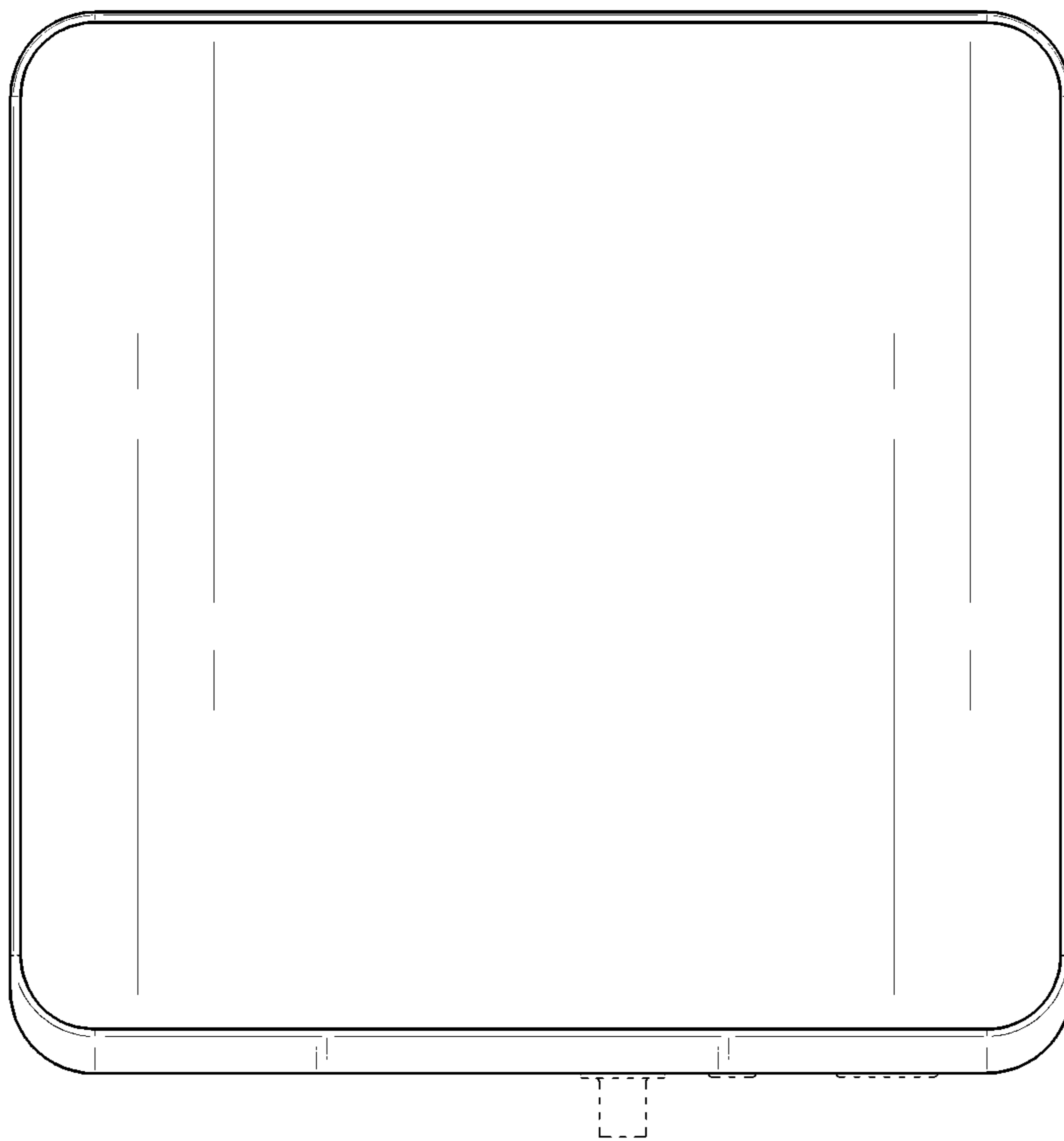




FIG. 17

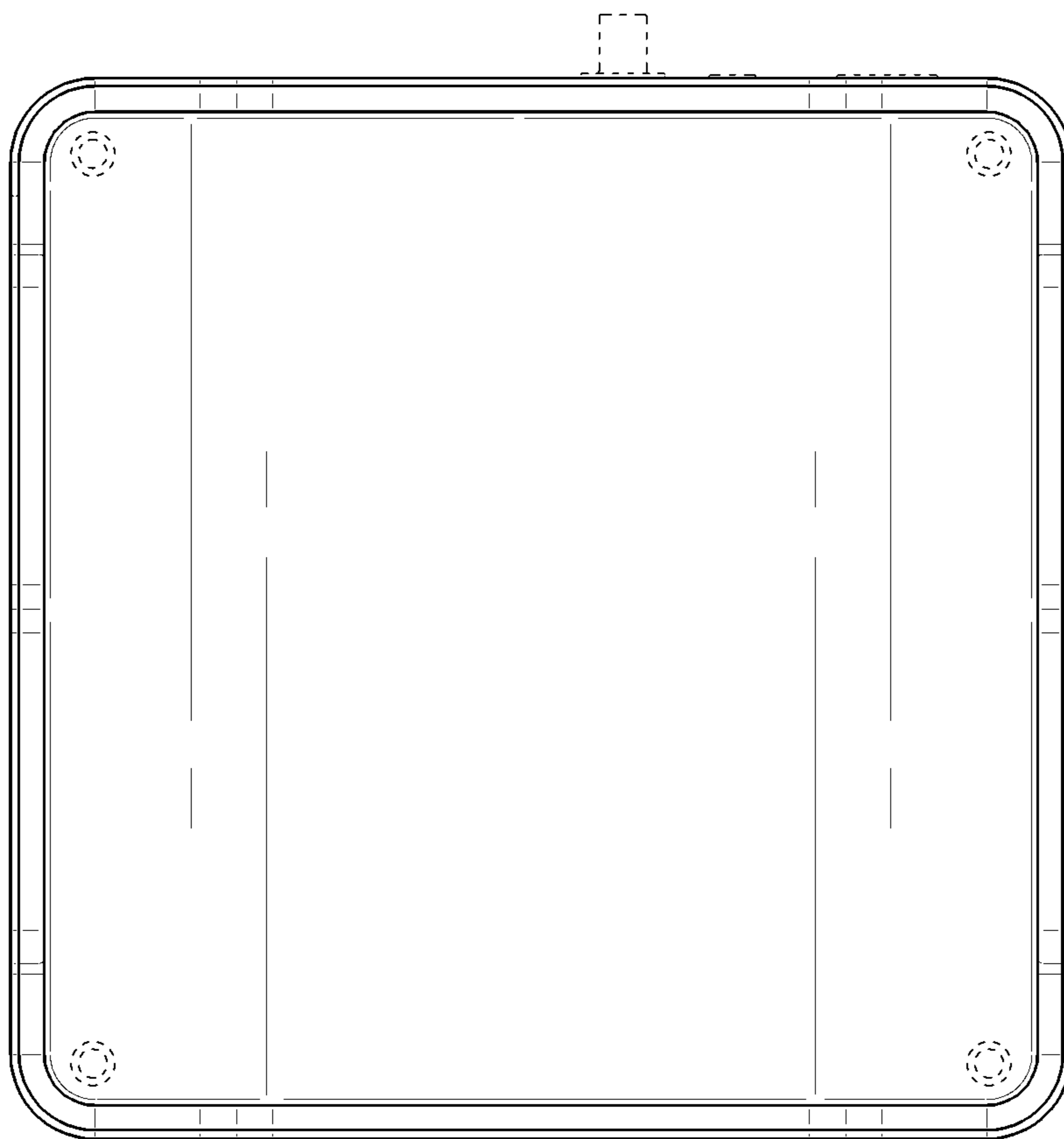


FIG. 18

