



US00D983589S

(12) **United States Design Patent** (10) **Patent No.:** **US D983,589 S**
König et al. (45) **Date of Patent:** **** Apr. 18, 2023**

(54) **DISPENSER FOR A WATER PURIFIER**
(71) Applicant: **Merck Patent GmbH**, Darmstadt (DE)
(72) Inventors: **Camillo König**, Darmstadt (DE); **Dény Saraliev**, Darmstadt (DE); **Fabien Jeannerot**, Darmstadt (DE); **Gérald Lelong**, Darmstadt (DE)
(73) Assignee: **Merck Patent GmbH**, Darmstadt (DE)

D328,121 S * 7/1992 Pedersen D23/209
D352,200 S * 11/1994 Hansen D7/304
D442,262 S * 5/2001 Kuhlman D23/255
D455,597 S * 4/2002 Lefroy-Brooks D23/242
D471,255 S * 3/2003 Friedrich D23/238
D497,409 S * 10/2004 Valfridsson D23/255
D525,344 S * 7/2006 Schaffeld D23/238
D565,692 S * 4/2008 Berducat D23/207
D575,104 S * 8/2008 Sommerfeld D7/397

(Continued)

(**) Term: **15 Years**
(21) Appl. No.: **29/786,610**
(22) Filed: **Jun. 1, 2021**

FOREIGN PATENT DOCUMENTS

JP D1729257 * 5/2021

Primary Examiner — Joseph Kukella
Assistant Examiner — Darryl J Dardenne
(74) *Attorney, Agent, or Firm* — Edell, Shapiro & Finnan, LLC

(30) **Foreign Application Priority Data**
Nov. 30, 2020 (EM) 008302392-0004

(57) **CLAIM**

The ornamental design for a dispenser for a water purifier, as shown and described.

(51) **LOC (14) Cl.** **07-01**
(52) **U.S. Cl.**
USPC **D7/313**

DESCRIPTION

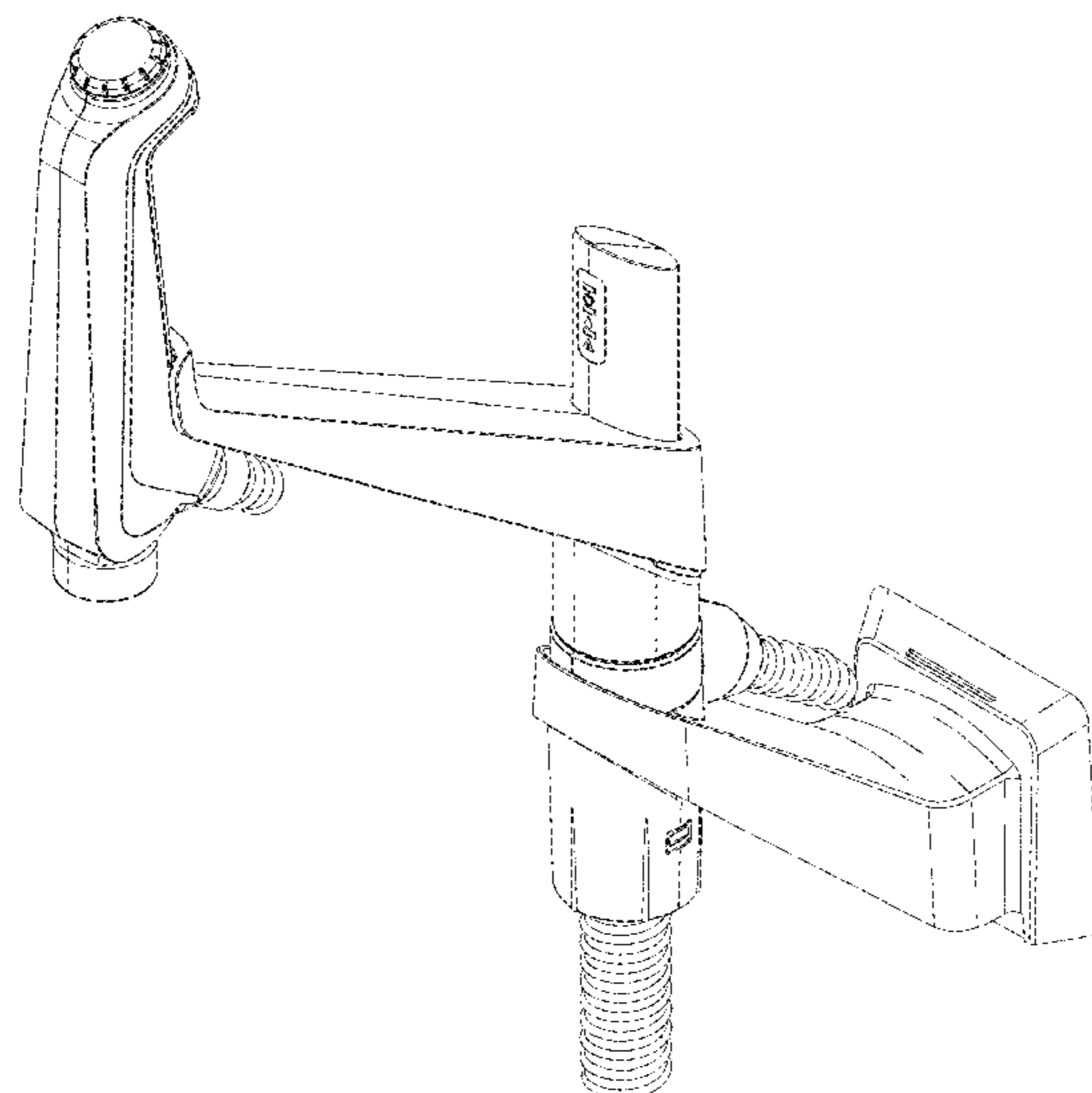
(58) **Field of Classification Search**
USPC D7/300, 306, 311, 307, 308, 309, 312, D7/313, 397, 398, 392, 601; 23/206, 23/207, 209, 238
CPC A47G 19/12; A47G 19/127; A47G 19/14; A47G 2019/122; A47J 31/057; B67D 1/06; B67D 1/0021; B67D 1/0858; B67D 1/0041; B67D 3/0009; B67D 3/00; F25D 23/126; F25D 31/002; F25D 3/08; F25D 2331/806
See application file for complete search history.

FIG. 1 is a front, right, top perspective view of a dispenser for a water purifier.
FIG. 2 is a rear, left, bottom perspective view of the dispenser for a water purifier of FIG. 1.
FIG. 3 is a front elevation view of the dispenser for a water purifier of FIG. 1.
FIG. 4 is a rear elevation view of the dispenser for a water purifier of FIG. 1.
FIG. 5 is a left side elevation view of the dispenser for a water purifier of FIG. 1.
FIG. 6 is a right side elevation view of the dispenser for a water purifier of FIG. 1.
FIG. 7 is a top plan view of the dispenser for a water purifier of FIG. 1; and,
FIG. 8 is a bottom plan view of the dispenser for a water purifier of FIG. 1.

(56) **References Cited**
U.S. PATENT DOCUMENTS

D251,794 S * 5/1979 Smith B67D 1/0406 D23/238
D253,066 S * 10/1979 Karamian D23/238
D312,020 S * 11/1990 Legault D7/311
D321,980 S * 12/1991 Billet D3/217

1 Claim, 6 Drawing Sheets



(56)

References Cited

U.S. PATENT DOCUMENTS

D582,722 S * 12/2008 Pena D7/398
D632,365 S * 2/2011 Choi D23/238
D647,171 S * 10/2011 Underwood D23/207
D687,127 S * 7/2013 Fritz D23/238
D717,578 S * 11/2014 Lazaris D8/42
D793,791 S * 8/2017 McDonald D7/313
D816,804 S * 5/2018 Chong D23/238
D840,501 S * 2/2019 König B67D 1/0021
D23/207
D849,202 S * 5/2019 Zhang D23/238
D853,528 S * 7/2019 Eads D23/239
D859,905 S * 9/2019 Morse D7/313
10,589,978 B2 * 3/2020 Sevcik B67D 1/0021
D894,674 S * 9/2020 Hines D7/397
D906,044 S * 12/2020 Stropkay D7/397
D913,438 S * 3/2021 Levi B67D 1/0021
D23/238
D925,705 S * 7/2021 Chong E03C 1/326
D23/238
D927,647 S * 8/2021 Liang D23/238

* cited by examiner

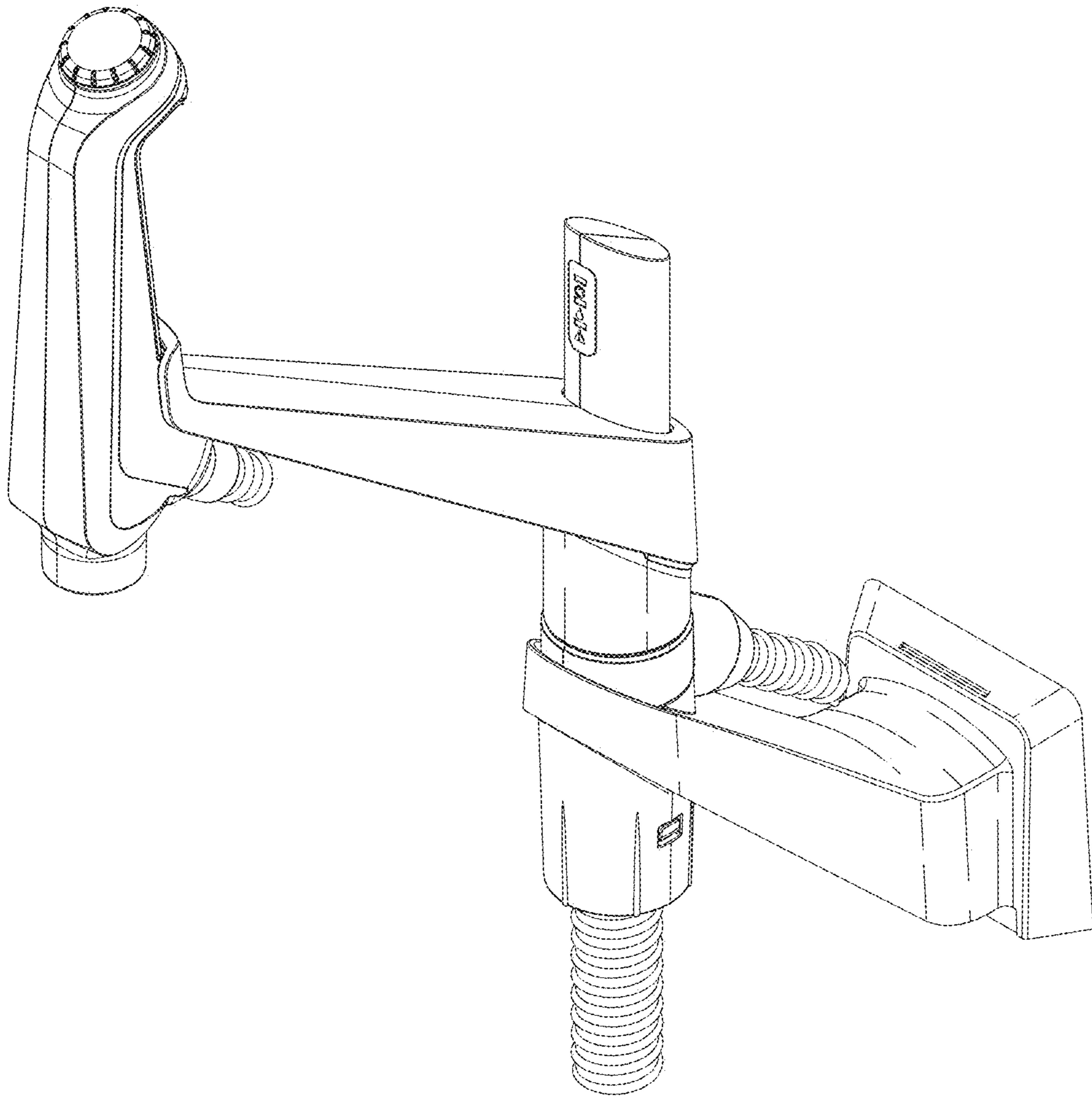


FIG.1

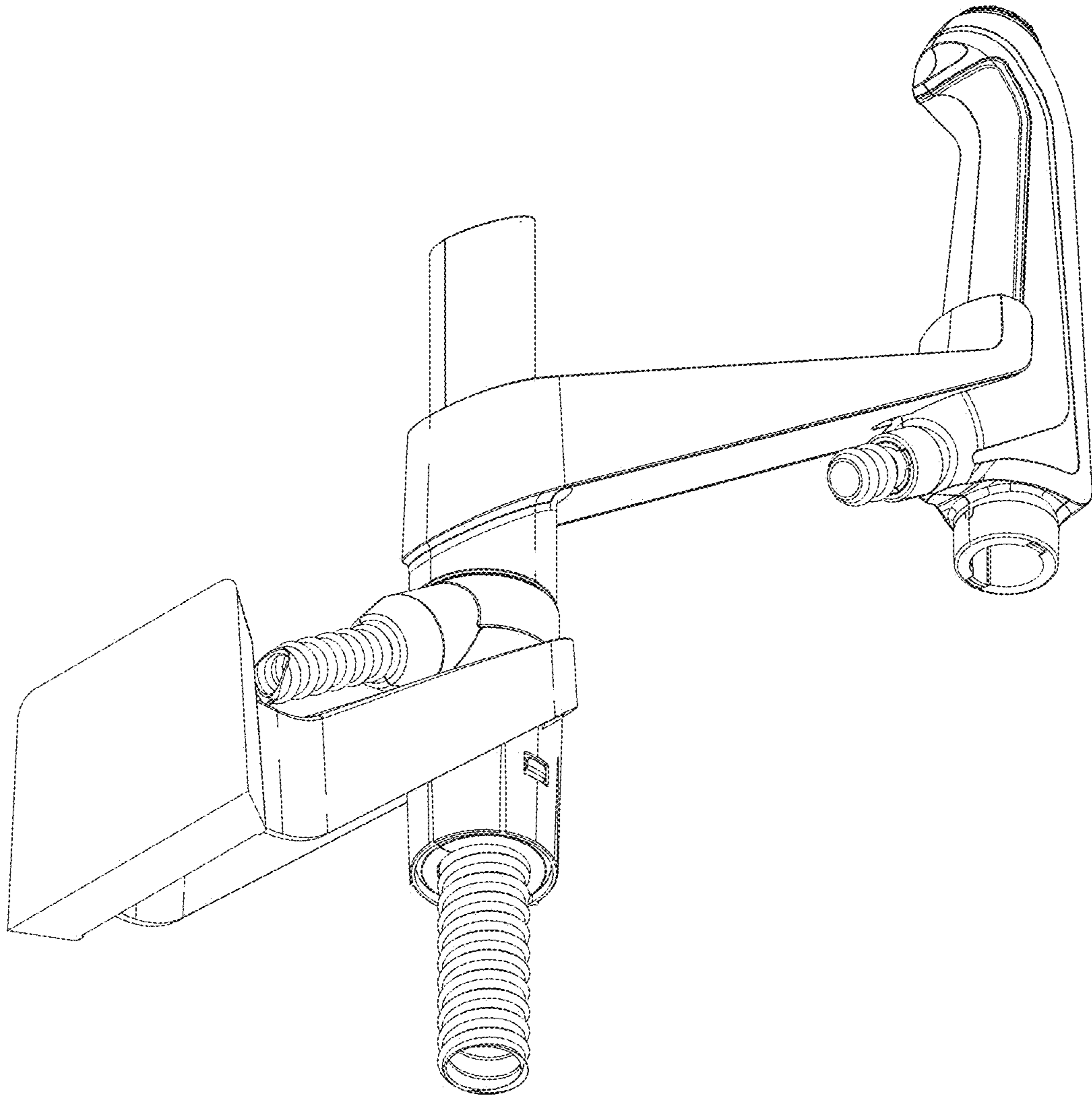


FIG.2

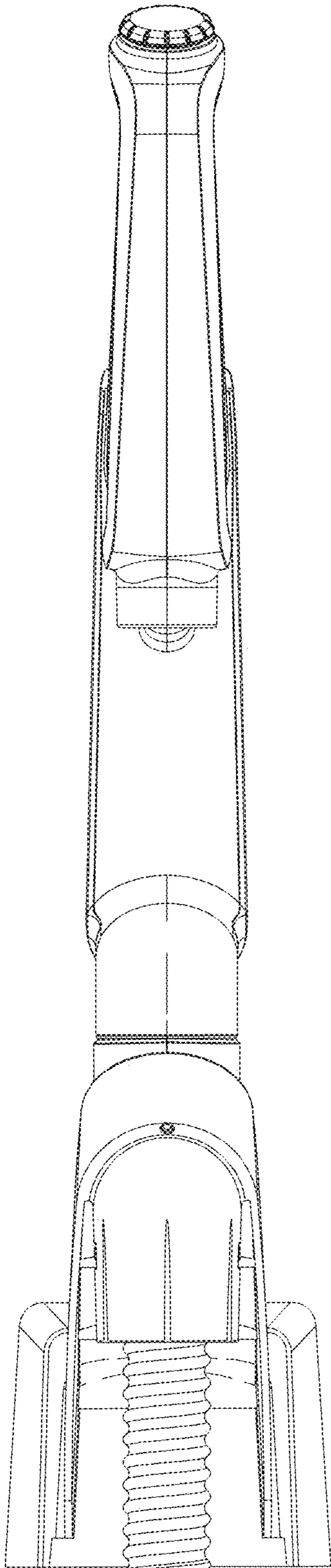


FIG.3

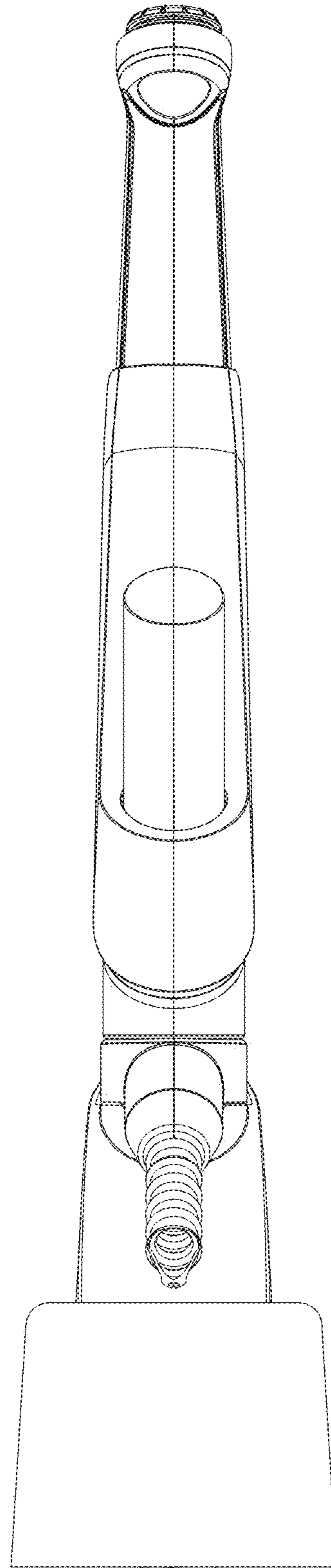


FIG.4

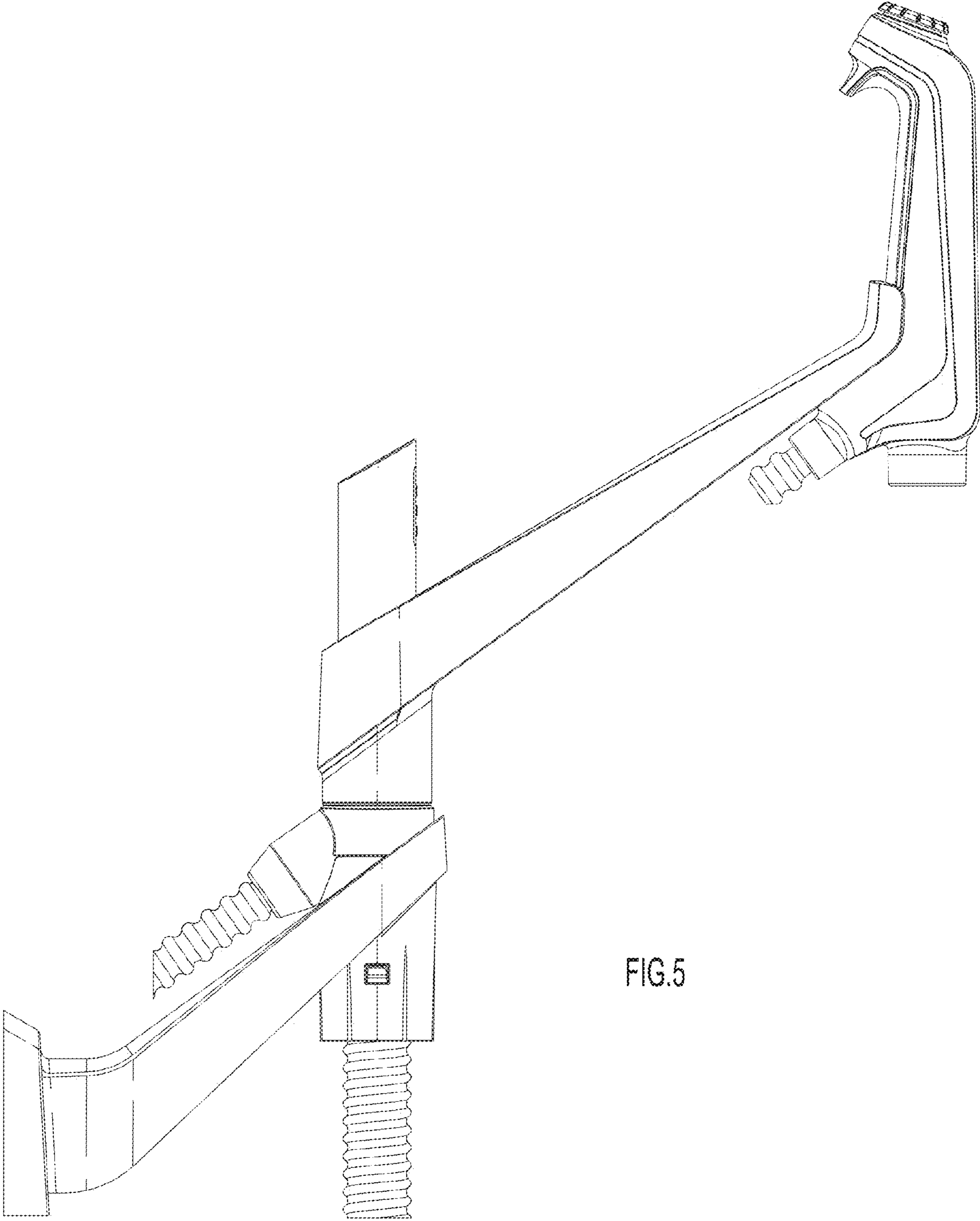
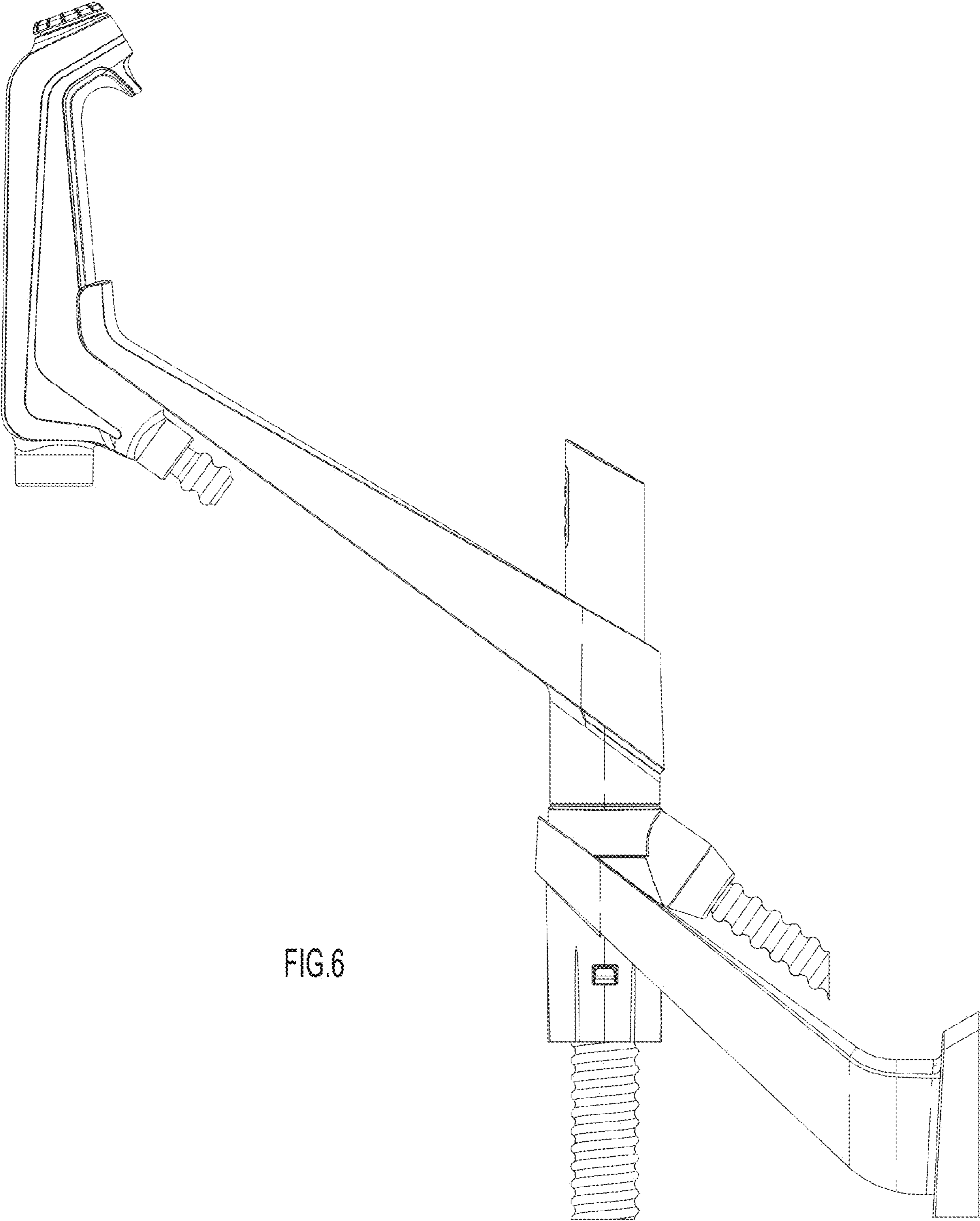


FIG. 5



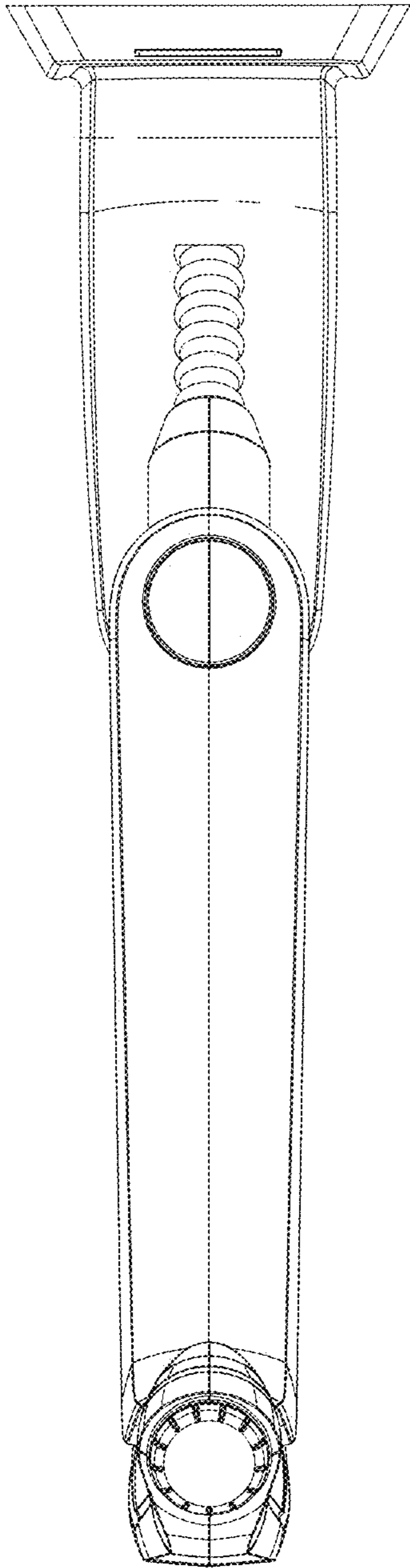


FIG. 7

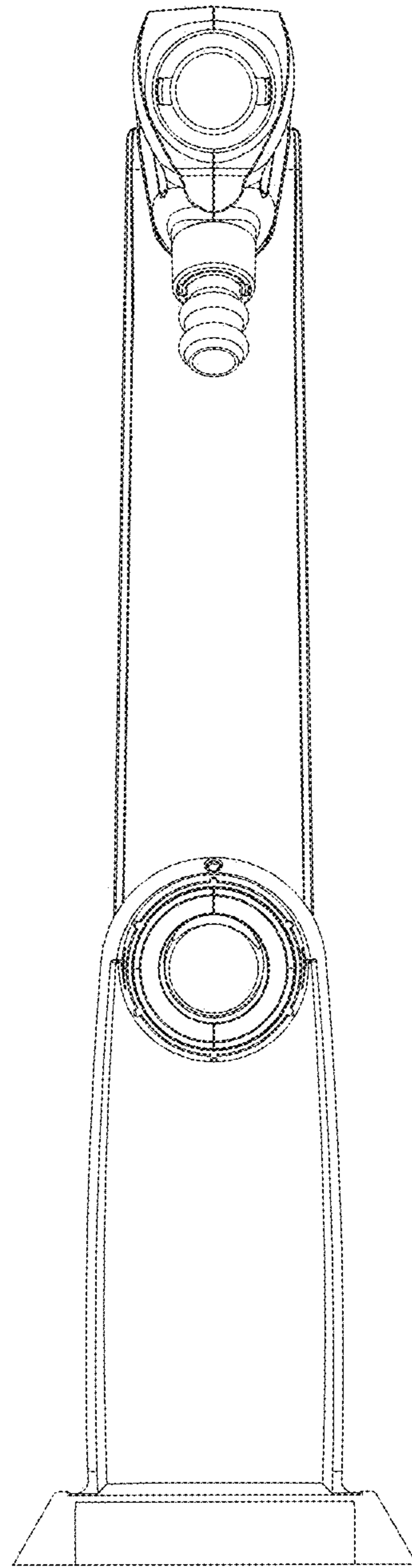


FIG. 8