



US00D983588S

(12) **United States Design Patent**
Petersen et al.

(10) **Patent No.:** **US D983,588 S**
(45) **Date of Patent:** **** Apr. 18, 2023**

- (54) **DRINKING WATER PURIFIER**
- (71) Applicant: **INVI Water GmbH**, Neuss (DE)
- (72) Inventors: **Jens Petersen**, Neuss (DE); **René Glaubitz**, Neuss (DE); **Erik Nagel**, Neuss (DE)
- (73) Assignee: **INVI Water GmbH**, Neuss (DE)
- (**) Term: **15 Years**
- (21) Appl. No.: **35/512,877**
- (22) Filed: **Sep. 1, 2021**

D548,815 S *	8/2007	Frisell	D23/207
D555,968 S *	11/2007	Pfeifer	D7/311
D702,476 S *	4/2014	Minica	B67D 1/0085
			D7/313
D710,643 S *	8/2014	Broen	D7/311
D716,093 S *	10/2014	Jakeman	D7/311
D731,840 S *	6/2015	Cha	D7/311
D732,330 S *	6/2015	Cha	D7/311
D743,728 S *	11/2015	Tomasson	D7/311
D751,849 S *	3/2016	Dunham	D7/307
D861,406 S *	10/2019	Tsutsui	D7/311
10,726,246 B1 *	7/2020	McClellan	G07F 9/002
D891,845 S *	8/2020	Rummel	D7/308
D946,340 S *	3/2022	Jakobsen	D7/306
D951,390 S *	5/2022	Shin	D23/207
11,420,861 B2 *	8/2022	Wilson	G07F 13/06

(Continued)

(80) **Hague Agreement Data**

Int. Filing Date: **Sep. 1, 2021**
 Int. Reg. No.: **DM/217078**
 Int. Reg. Date: **Sep. 1, 2021**
 Int. Reg. Pub. Date: **Nov. 5, 2021**

(30) **Foreign Application Priority Data**

Mar. 1, 2021 (EM) 008447023-0003

(51) **LOC (14) Cl.** **07-01**

(52) **U.S. Cl.**
USPC **D7/311**

(58) **Field of Classification Search**
USPC D23/202, 205, 207, 209; D7/306, 307, D7/308, 310, 311
CPC C02F 1/003; C02F 9/005; C02F 2307/10; C02F 2201/002

See application file for complete search history.

(56) **References Cited**

U.S. PATENT DOCUMENTS

D358,632 S *	5/1995	Swick	D23/207
D431,145 S *	9/2000	Woebcke	D7/312
D452,794 S *	1/2002	Adachi	D7/311
D506,525 S *	6/2005	Wang	D23/207

OTHER PUBLICATIONS

Xiaomi Viomi YM-R4001A, Jun. 30, 2019, YouTube, site visited Dec. 21, 2022: <https://www.youtube.com/watch?v=XY9yGiwB2zA> (Year: 2019).*

(Continued)

Primary Examiner — Jack Reickel

Assistant Examiner — Bobby W Jones, II

(74) *Attorney, Agent, or Firm* — Christopher A. Rothe; Culhane Meadows PLLC

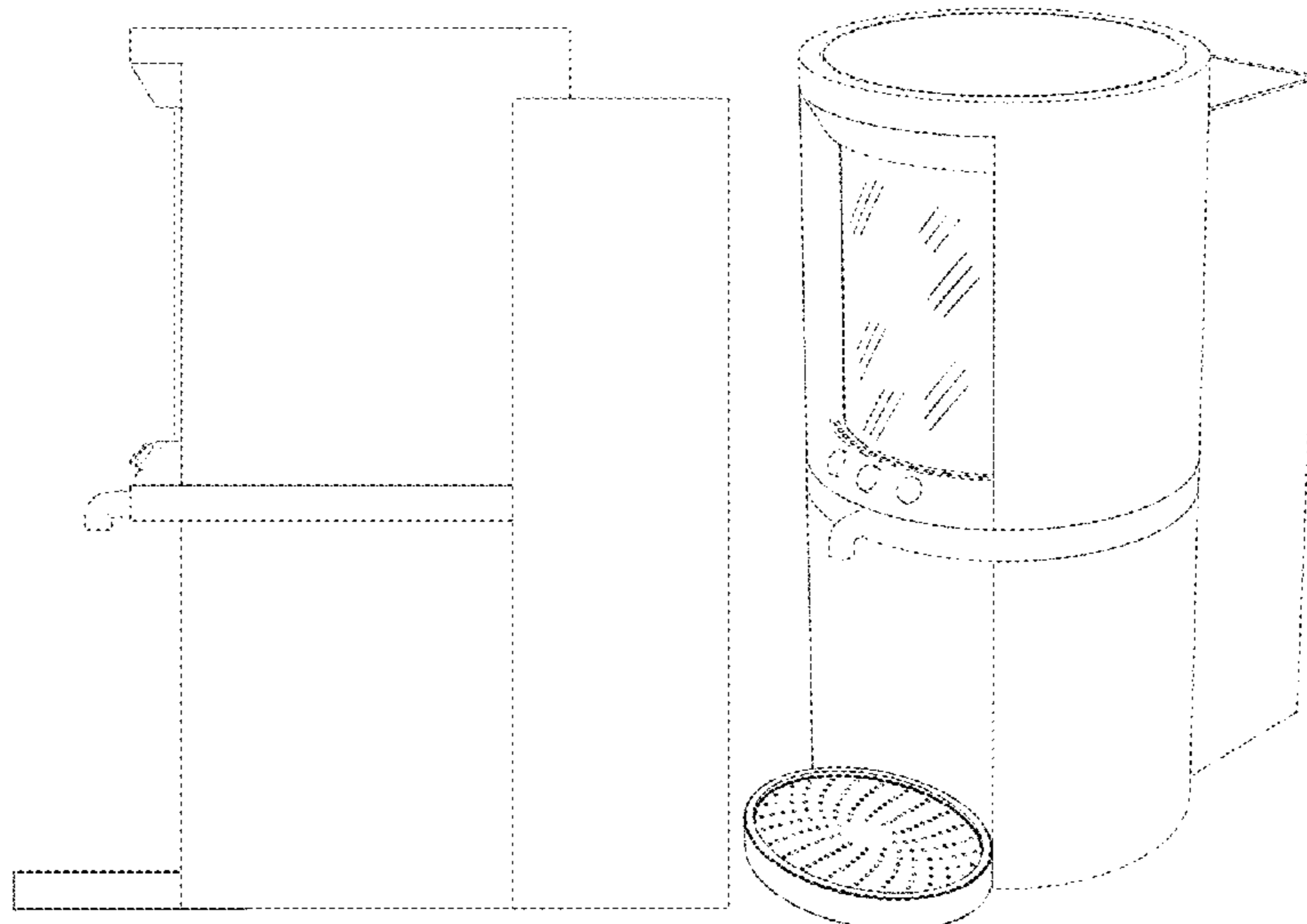
(57) **CLAIM**

The ornamental design for a drinking water purifier, as shown and described.

DESCRIPTION

1. Drinking water purifier
 Drinking water purifier comprising a transparent viewing window; FIG. 1.1 —back view; FIG. 1.2 —bottom view (view from below); FIG. 1.3 —side view from right; FIG. 1.4 —front view; FIG. 1.5 —top view (view from above); FIG. 1.6 —perspective front view, from slightly diagonal above; FIG. 1.7 —perspective back view.

1 Claim, 7 Drawing Sheets



(56)

References Cited

U.S. PATENT DOCUMENTS

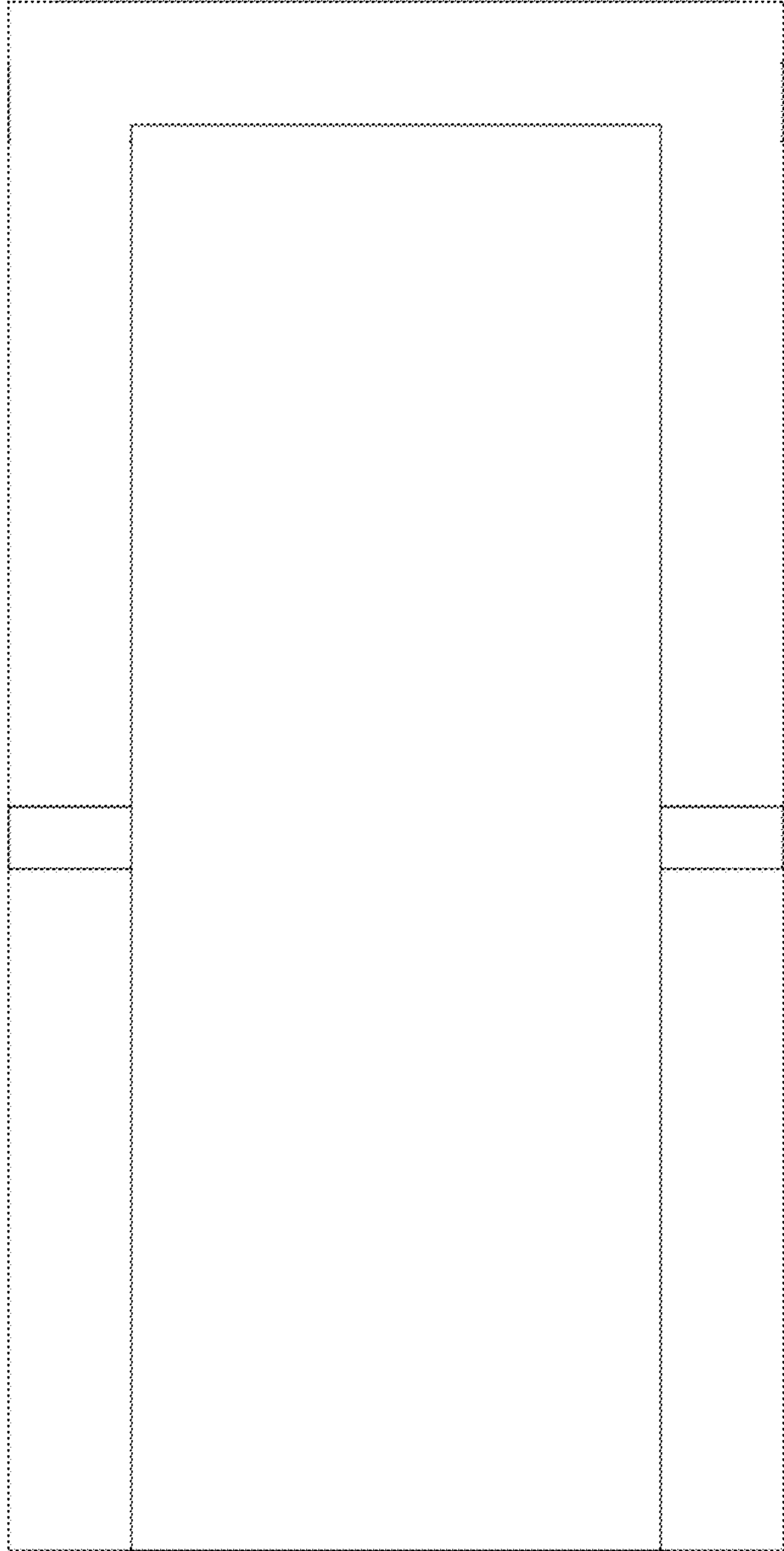
D963,407 S * 9/2022 Kriebel D7/397

OTHER PUBLICATIONS

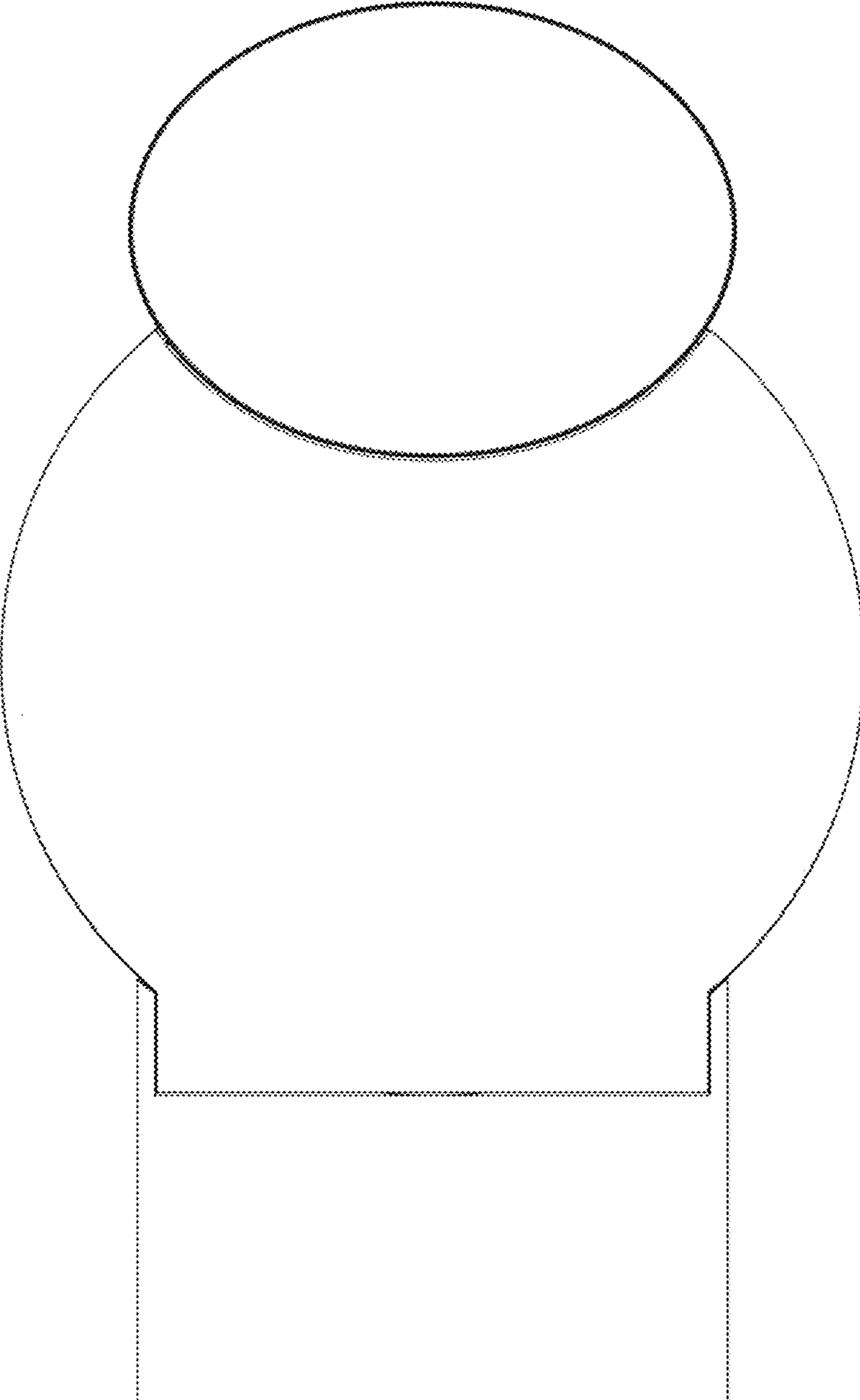
Review of the ION Bottleless Water Cooler, Nov. 11, 2017, YouTube, site visited Dec. 21, 2022: <https://www.youtube.com/watch?v=eAyxMv4IBH8> (Year: 2017).*

* cited by examiner

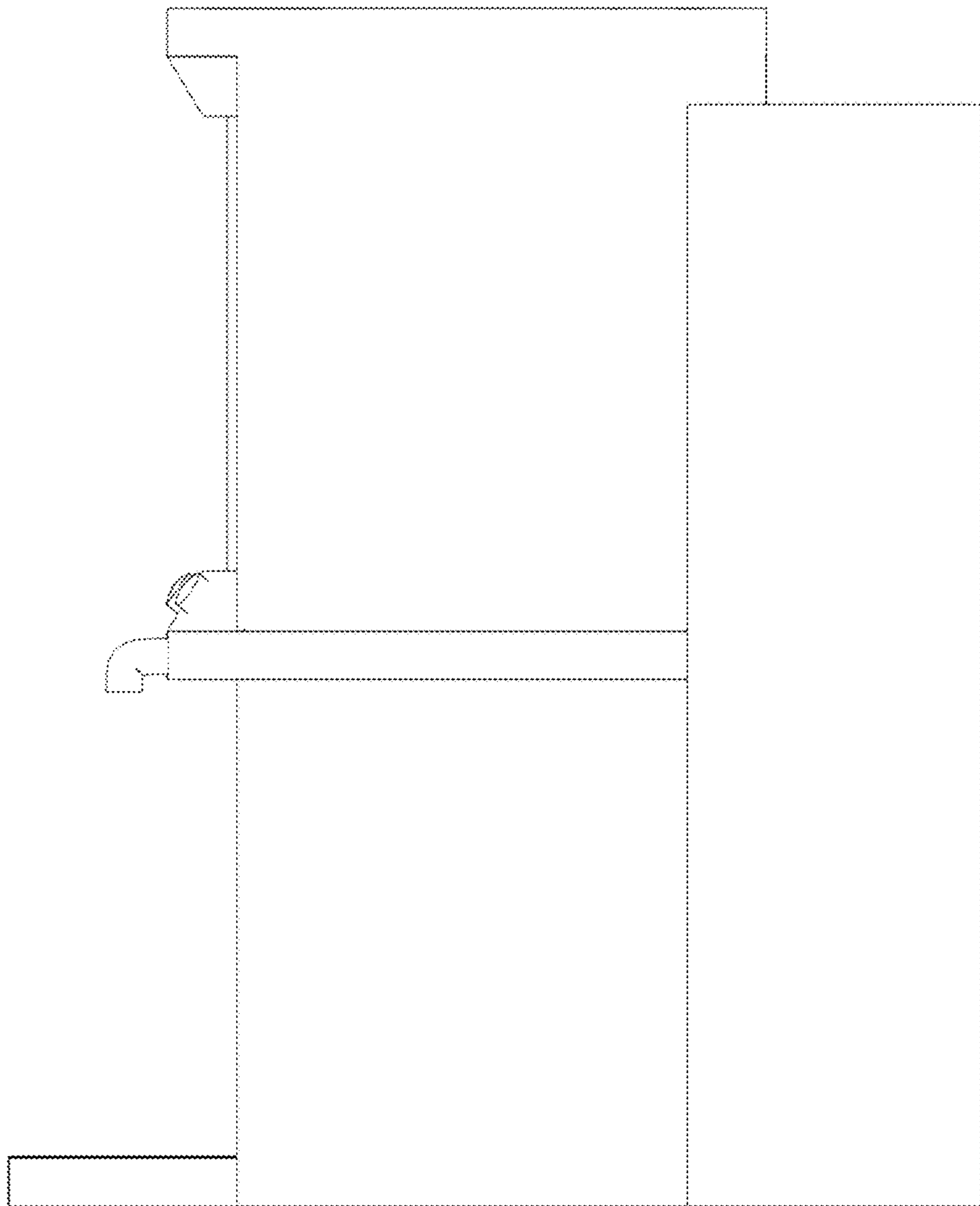
1.1



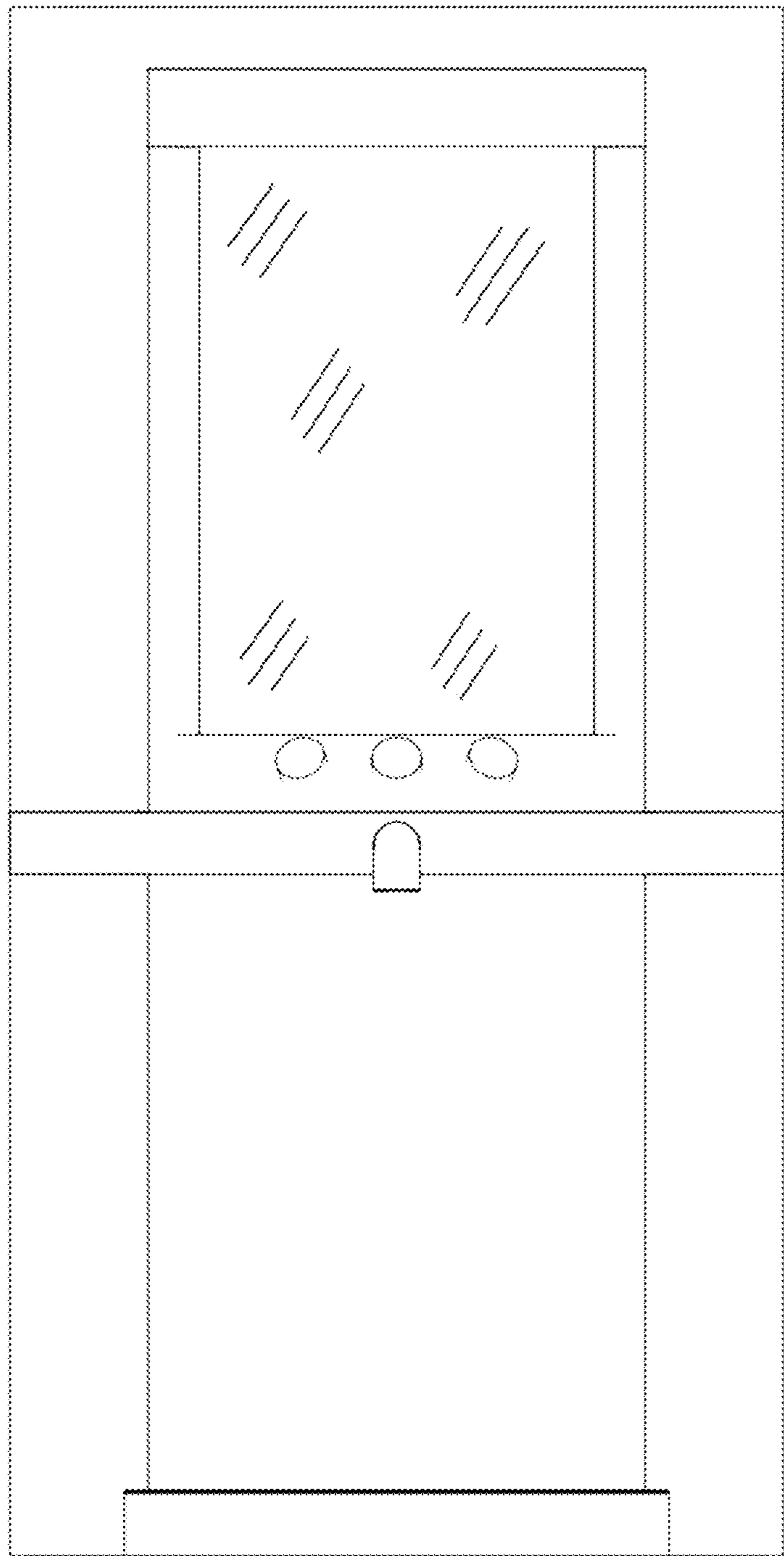
1.2



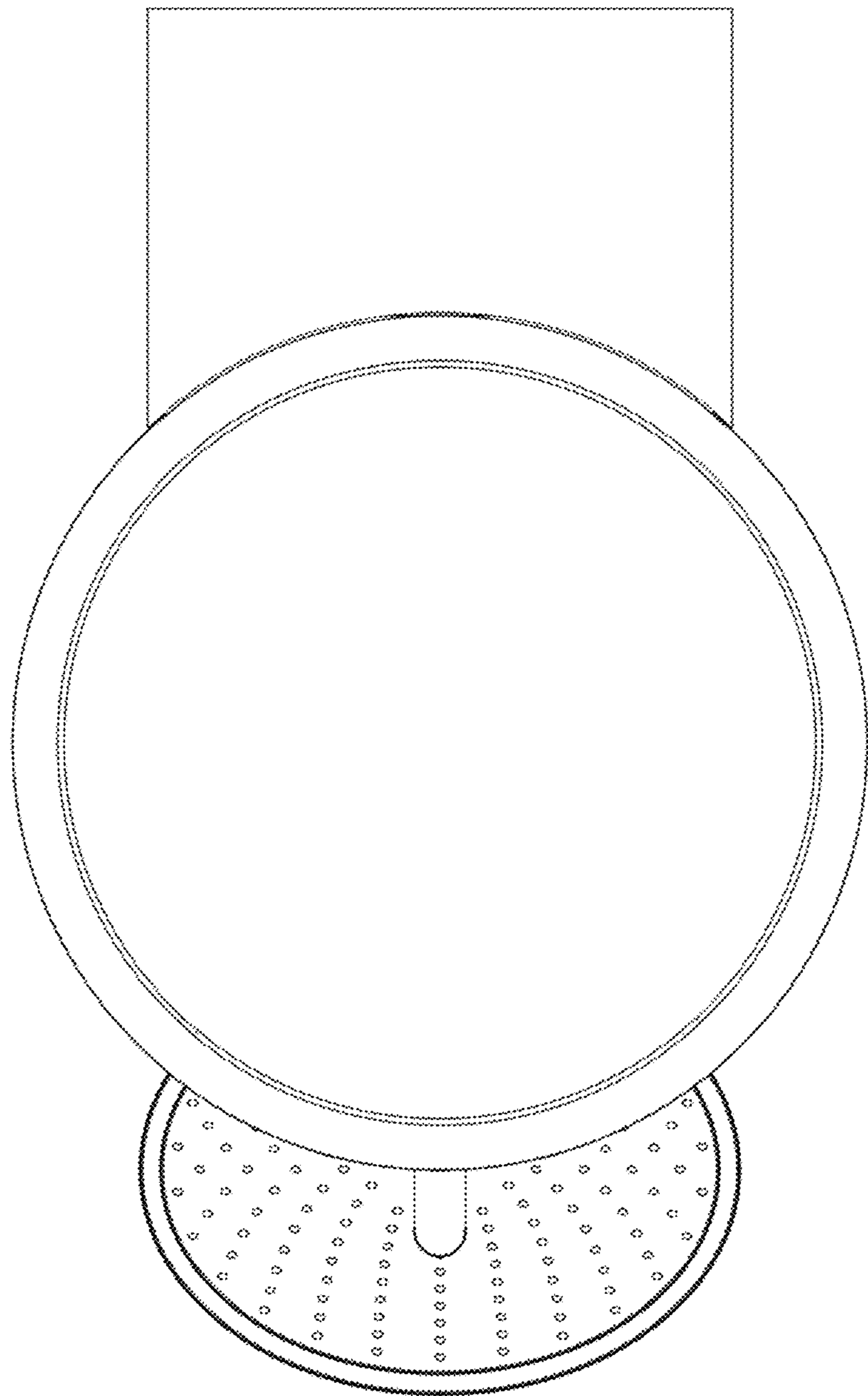
1.3



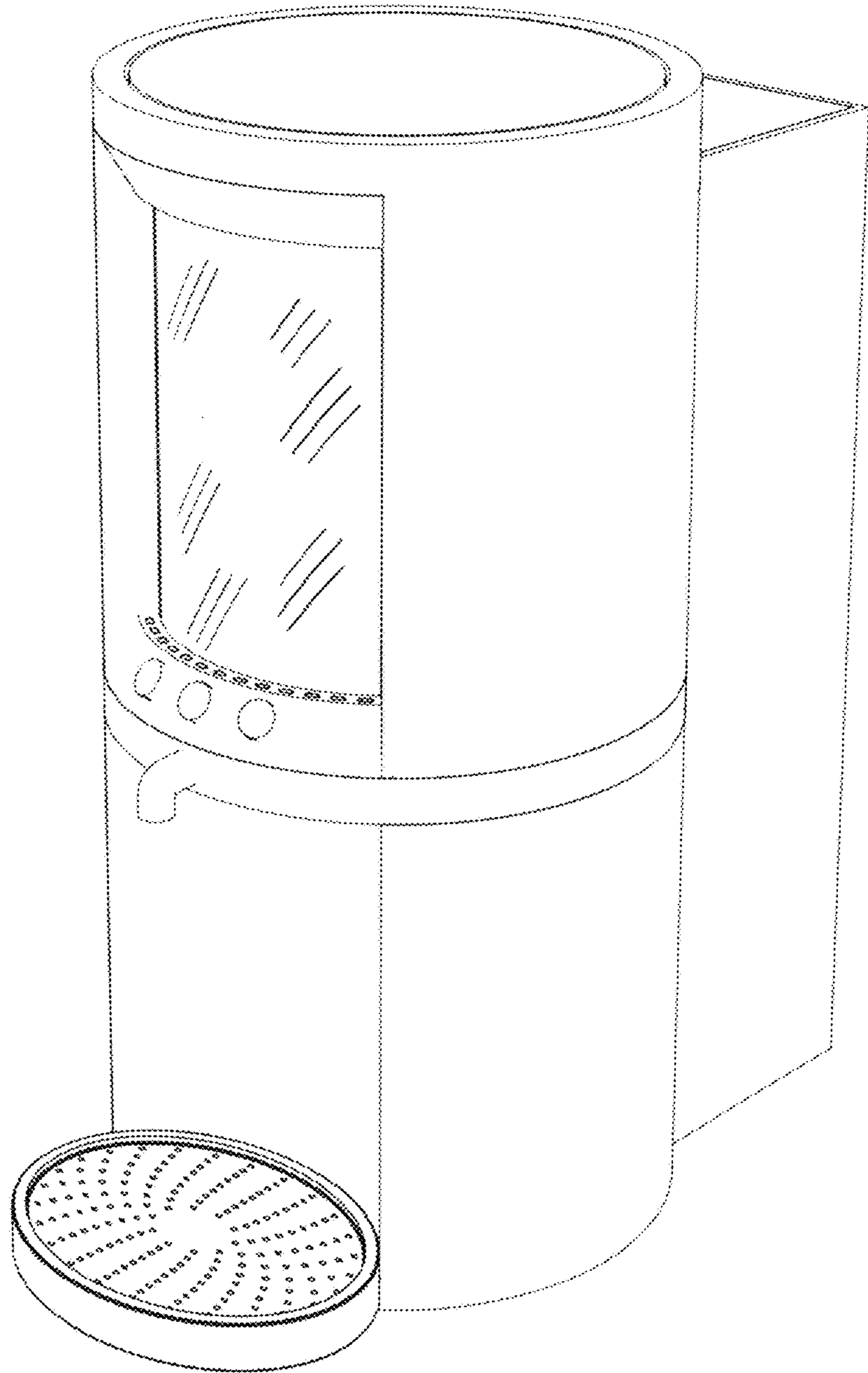
1.4



1.5



1.6



1.7

