



US00D983587S

(12) **United States Design Patent** (10) **Patent No.:** **US D983,587 S**
Vu et al. (45) **Date of Patent:** **** Apr. 18, 2023**

(54) **COFFEE MAKER**
(71) Applicant: **De' Longhi Braun Household GmbH**,
Neu-Isenburg (DE)
(72) Inventors: **Duy Phong Vu**, Neu-Isenburg (DE);
Sven Wuttig, Neu-Isenburg (DE);
Dennis Muller, Neu-Isenburg (DE);
Markus Orthey, Neu-Isenburg (DE);
Julia Bassarek, Neu-Isenburg (DE);
Gian Luca Silvestrini, Neu-Isenburg
(DE); **Jara Freund**, Neu-Isenburg (DE)
(73) Assignee: **De' Longhi Braun Household GmbH**,
Neu-Isenburg (DE)
(**) Term: **15 Years**

D598,693 S * 8/2009 Kindler D7/311
D600,491 S * 9/2009 Hammad D7/311
D647,749 S * 11/2011 De' Longhi D7/311
D647,750 S * 11/2011 Duncan D7/311
D666,451 S * 9/2012 Cheng D7/311
D697,356 S * 1/2014 Choi D7/307
D703,989 S * 5/2014 Garman D7/311
D723,318 S * 3/2015 Andreesen D7/307
D742,159 S * 11/2015 Doria D7/311
D742,170 S * 11/2015 Kunz D7/311
D769,664 S * 10/2016 Waldthausen D7/311
D770,215 S * 11/2016 Vu D7/311
D792,739 S * 7/2017 Palermo D7/397
D823,627 S * 7/2018 Gebhardt D7/311
D823,628 S * 7/2018 Steiner D7/311
D861,407 S * 10/2019 Vu D7/311
D873,596 S * 1/2020 Steiner D7/311
D891,846 S * 8/2020 Bignu D7/311
D906,750 S * 1/2021 Kestenbaum D7/311

(21) Appl. No.: **29/796,602**
(22) Filed: **Jun. 25, 2021**
(51) **LOC (14) Cl.** **07-01**
(52) **U.S. Cl.**
USPC **D7/311**
(58) **Field of Classification Search**
USPC D7/300, 305, 306, 307, 308, 309, 310,
D7/311, 312, 397, 398, 399
CPC A47G 19/12; A47G 19/14; A47G 19/16;
A47J 31/02; A47J 31/043; A47J 31/057;
A47J 31/053; A47J 31/0573; A47J 31/44;
A47J 31/56; A47J 31/08; A47J 31/007;
B65D 2581/3409
See application file for complete search history.

FOREIGN PATENT DOCUMENTS

EM 008590970-0004 * 6/2021
* cited by examiner

Primary Examiner — Joseph Kukella
Assistant Examiner — Darryl J Dardenne
(74) *Attorney, Agent, or Firm* — BakerHostetler

(57) **CLAIM**

We claim the ornamental design for a coffee maker, as shown and described.

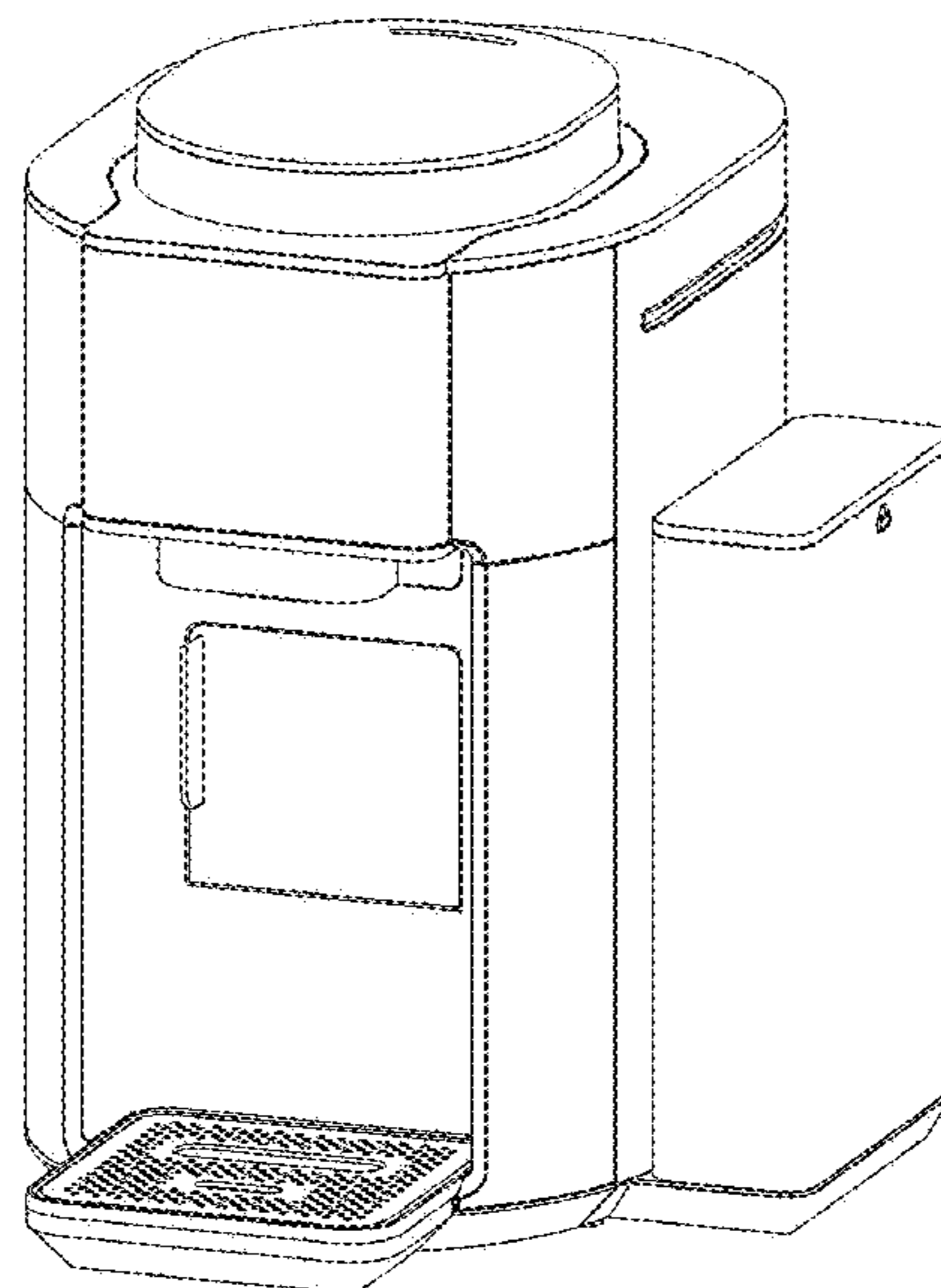
DESCRIPTION

FIG. 1 is a perspective view of a coffee maker;
FIG. 2 is a front elevation view thereof;
FIG. 3 is a back elevation view thereof;
FIG. 4 is a left side elevation view thereof;
FIG. 5 is a right side elevation view thereof;
FIG. 6 is a top plan view thereof; and,
FIG. 7 is a bottom plan view thereof.

1 Claim, 7 Drawing Sheets

(56) **References Cited**
U.S. PATENT DOCUMENTS

D327,601 S * 7/1992 Beeren D7/309
D440,811 S * 4/2001 Littmann D7/311
D495,197 S * 8/2004 Lassota D7/305
D509,701 S * 9/2005 Lam D7/311
D555,415 S * 11/2007 Lin D7/311



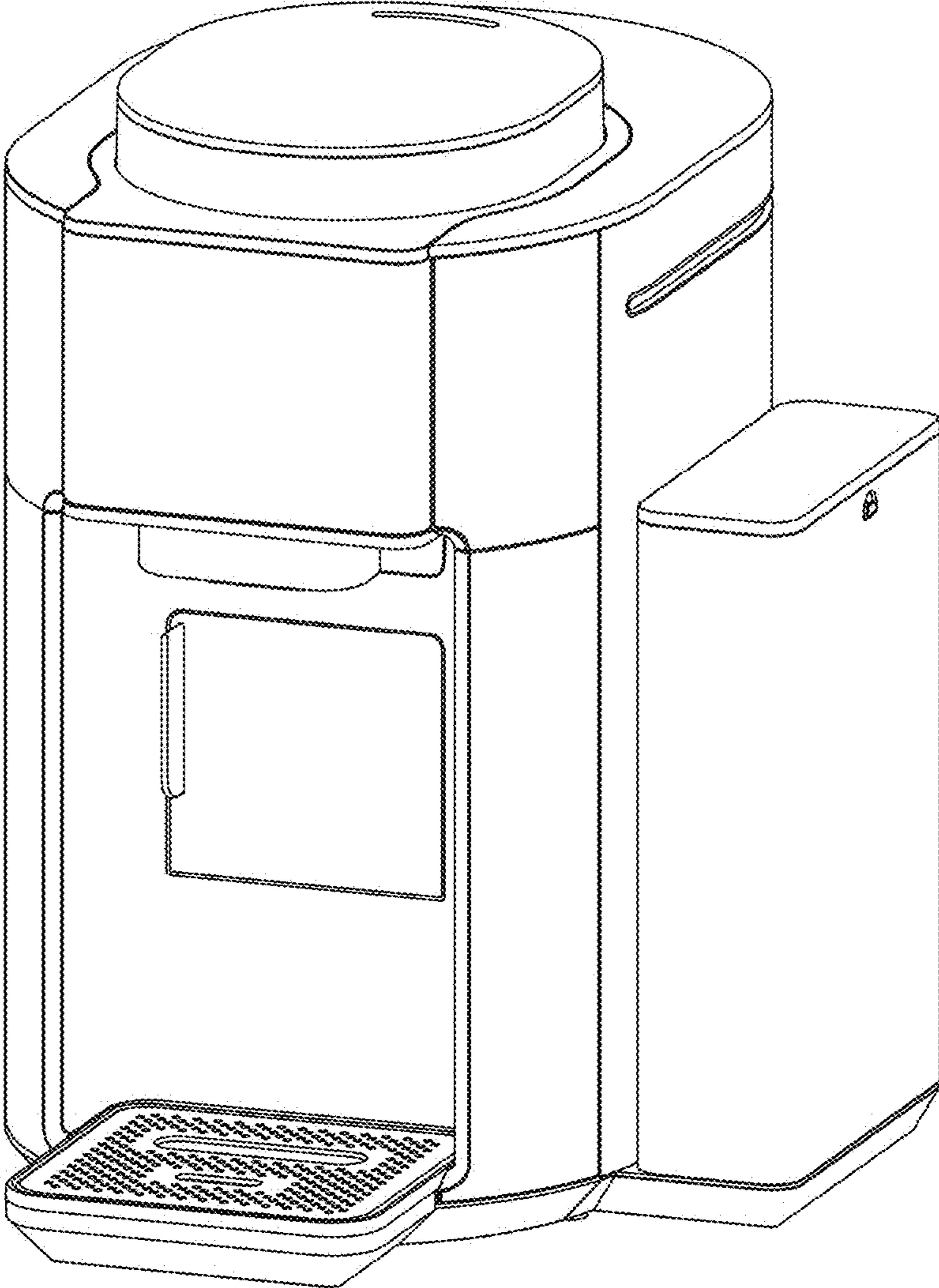


FIG. 1

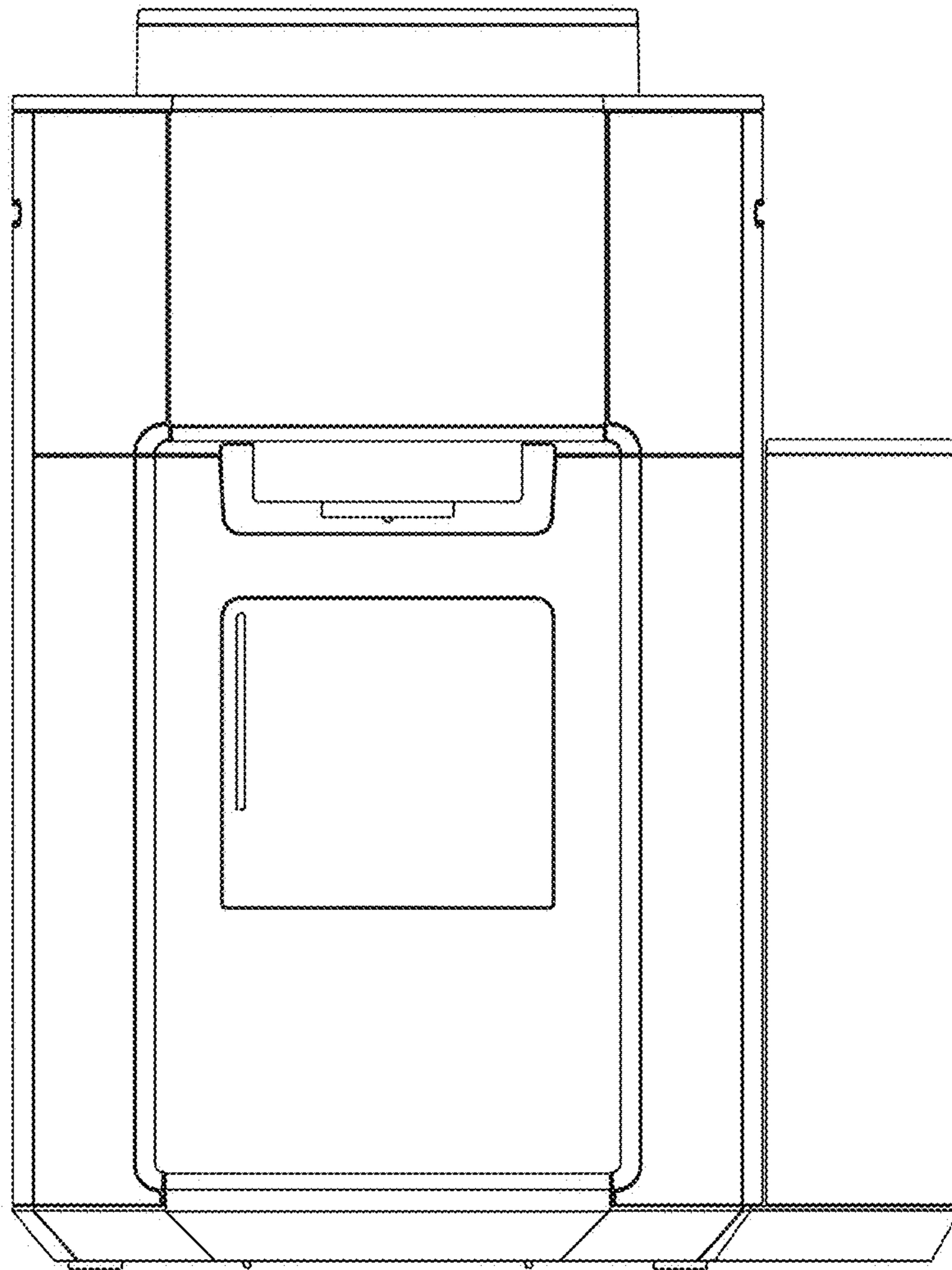


FIG. 2

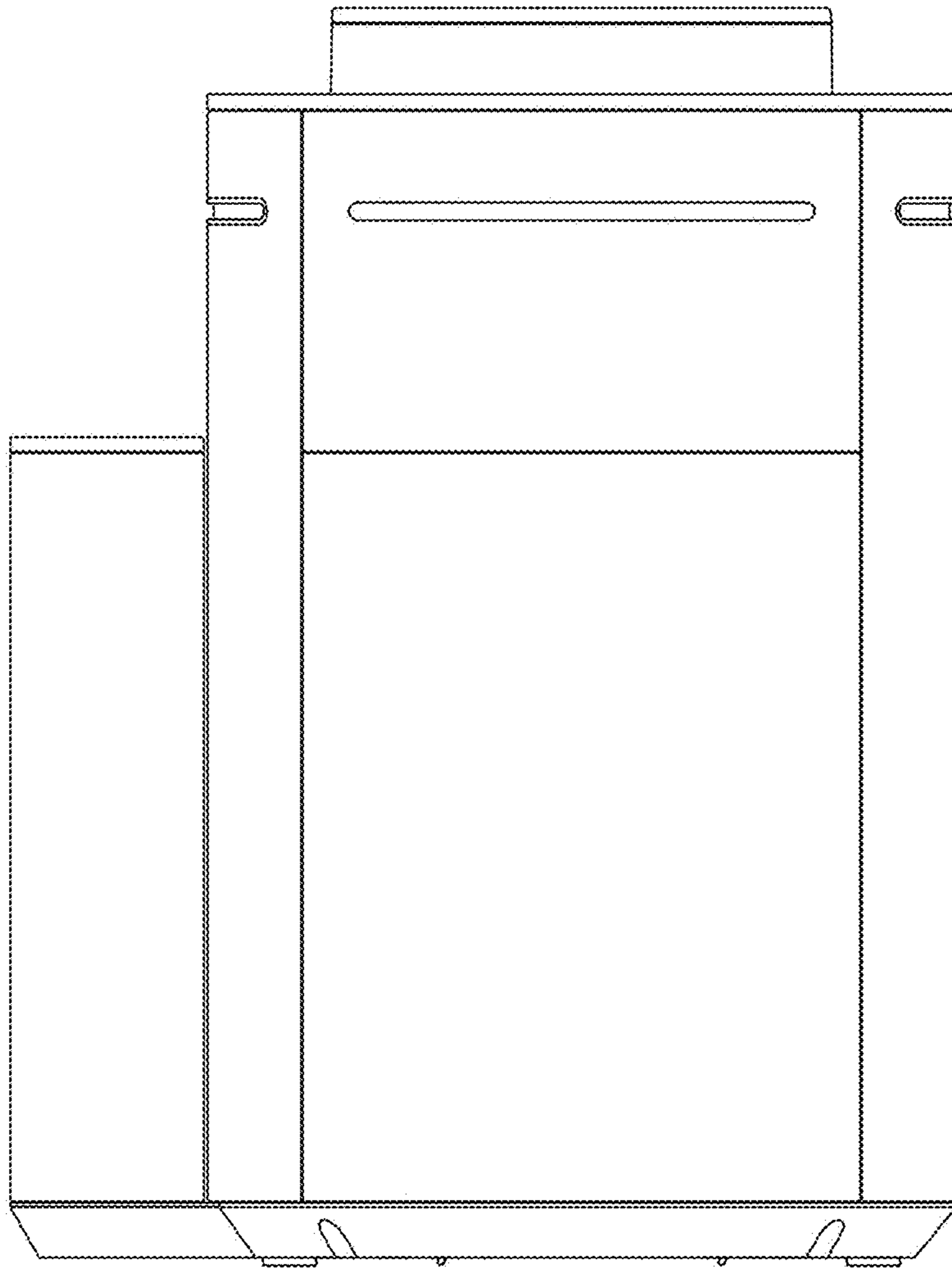


FIG. 3

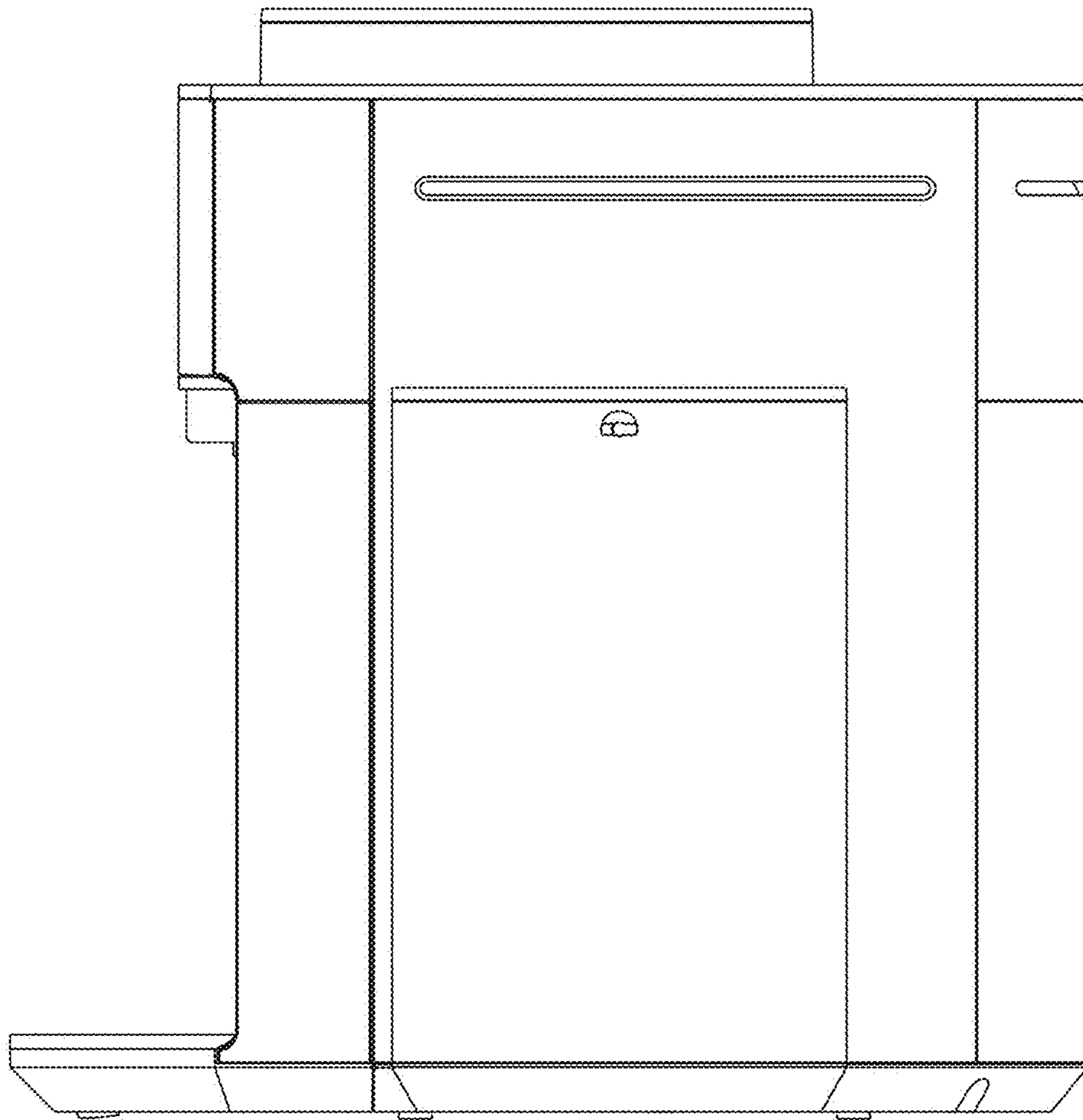


FIG. 4

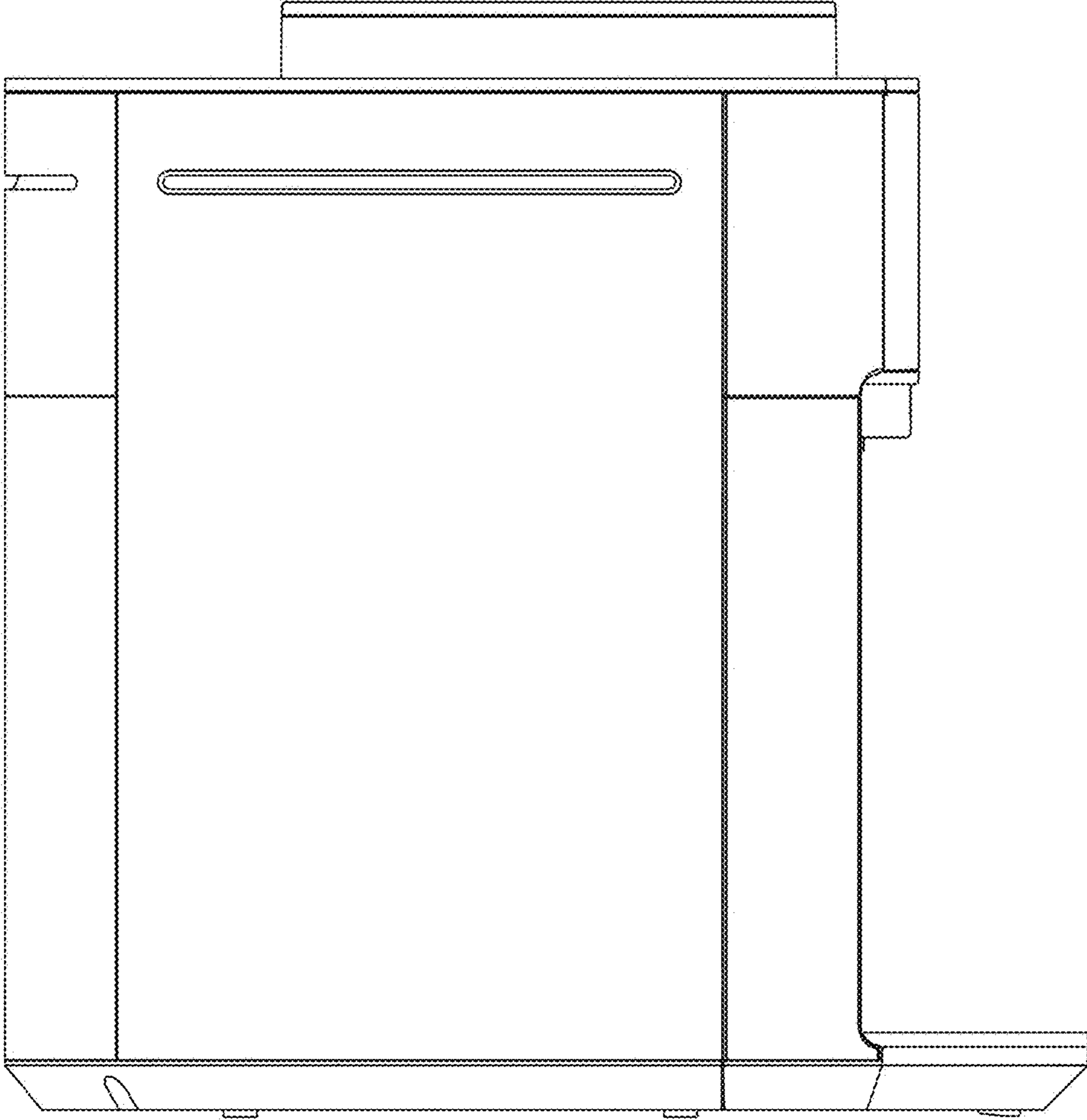


FIG. 5

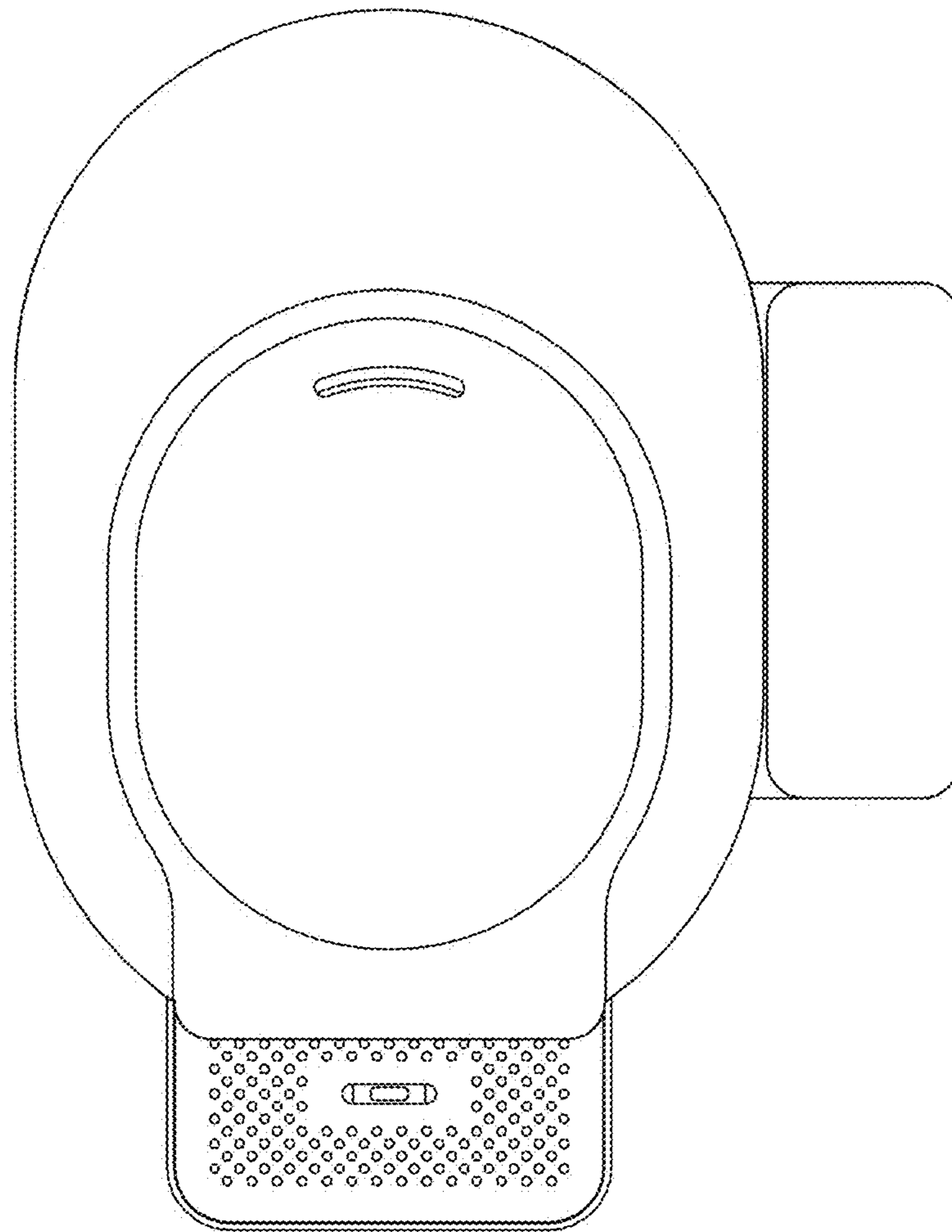


FIG. 6

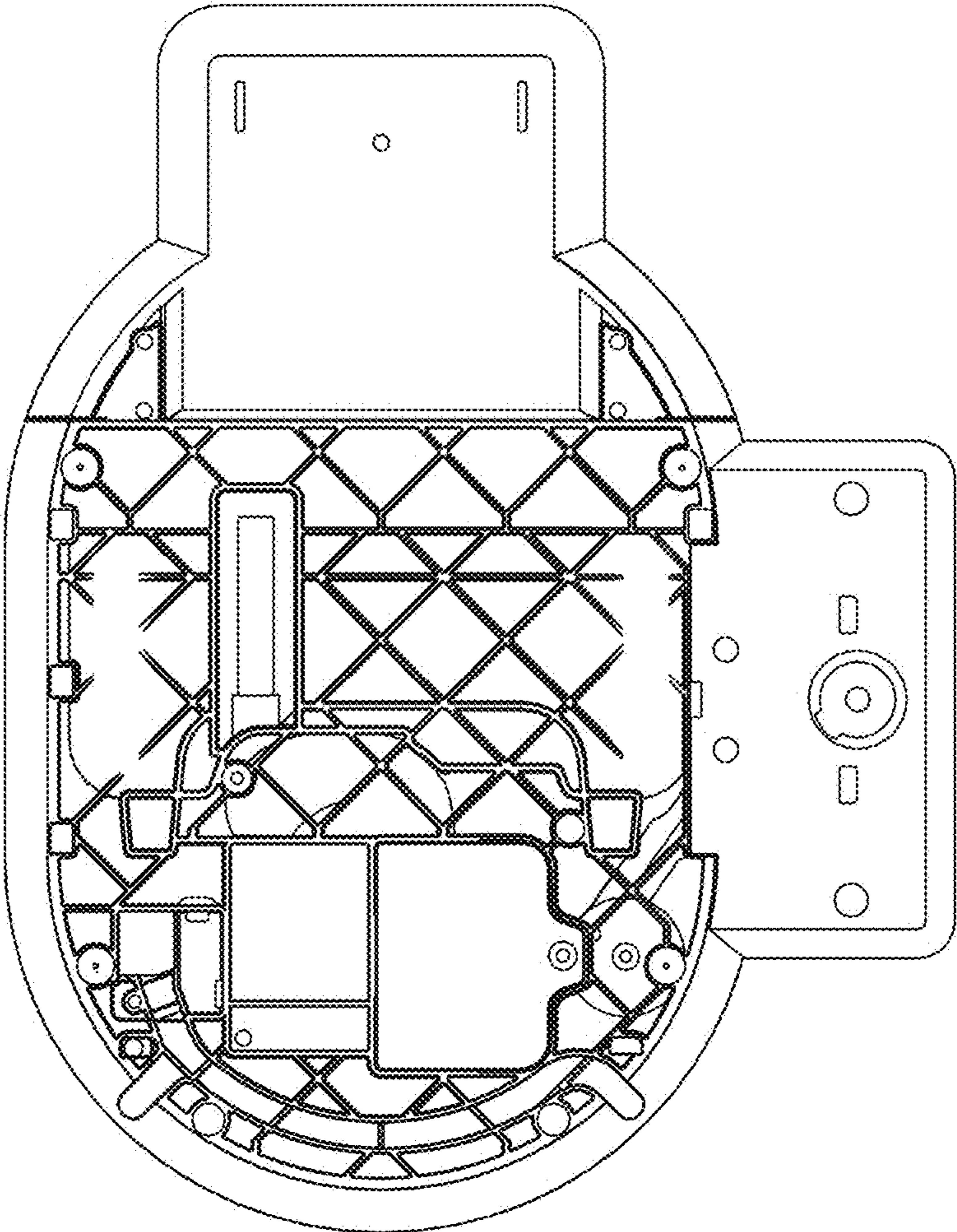


FIG. 7