



US00D983586S

(12) **United States Design Patent** (10) **Patent No.:** **US D983,586 S**
Nie (45) **Date of Patent:** **** Apr. 18, 2023**

(54) **COFFEE POT**
(71) Applicant: **JIANGMEN CITY XINHUI HENGLONG INNOVATIVE HOUSEWARES CO., LTD.**, Jiangmen (CN)
(72) Inventor: **Huayao Nie**, Jiangmen (CN)
(73) Assignee: **JIANGMEN CITYXINHUI HENGLONG INNOVATIVE HOUSEWARES CO., LTD.**, Jiangmen (CN)

(**) Term: **15 Years**

(21) Appl. No.: **29/795,046**

(22) Filed: **Jun. 16, 2021**

(30) **Foreign Application Priority Data**

May 17, 2021 (CN) 202130292995.4

(51) **LOC (14) Cl.** **07-01**

(52) **U.S. Cl.**
USPC **D7/310**

(58) **Field of Classification Search**
USPC D7/300, 302, 310, 312, 313, 317, 318, D7/308, 398, 399, 400, 509, 510, 511, D7/512, 532, 533, 538, 547, 602, 605, D7/629
CPC A45F 3/16; A47G 19/12; A47G 19/14; A47G 19/16; A47G 19/2205; A47G 19/2266; A47G 19/2272; A47G 21/185; A47G 23/0216; A47G 23/0241; A47J 31/005; A47J 31/02; A47J 31/0605; A47J 31/14; A47J 31/20; A47J 31/043; A47J 31/44; A47J 31/46; A47J 31/047; A47J 31/053; A47J 43/27; A47J 41/005; A47J 41/0072; B65D 2581/3409

See application file for complete search history.

(56) **References Cited**

U.S. PATENT DOCUMENTS

745,744 A * 12/1903 Uhalt G01F 23/02 99/285
1,018,337 A * 2/1912 Petry A47J 31/06 99/298
1,389,299 A * 8/1921 Gardiner A47J 31/0621 99/298
2,983,217 A * 5/1961 Gill A47J 31/605 99/305
D216,370 S * 12/1969 Leung et al. D7/317
3,715,974 A * 2/1973 Beverett A47J 31/4457 99/493
4,038,914 A * 8/1977 Crespo A47G 29/093 99/279
D252,003 S * 6/1979 Tsuji D7/310

(Continued)

Primary Examiner — Joseph Kukella

Assistant Examiner — Darryl J Dardenne

(74) *Attorney, Agent, or Firm* — Whiteford, Taylor, Preston, LLP; Peter J. Davis

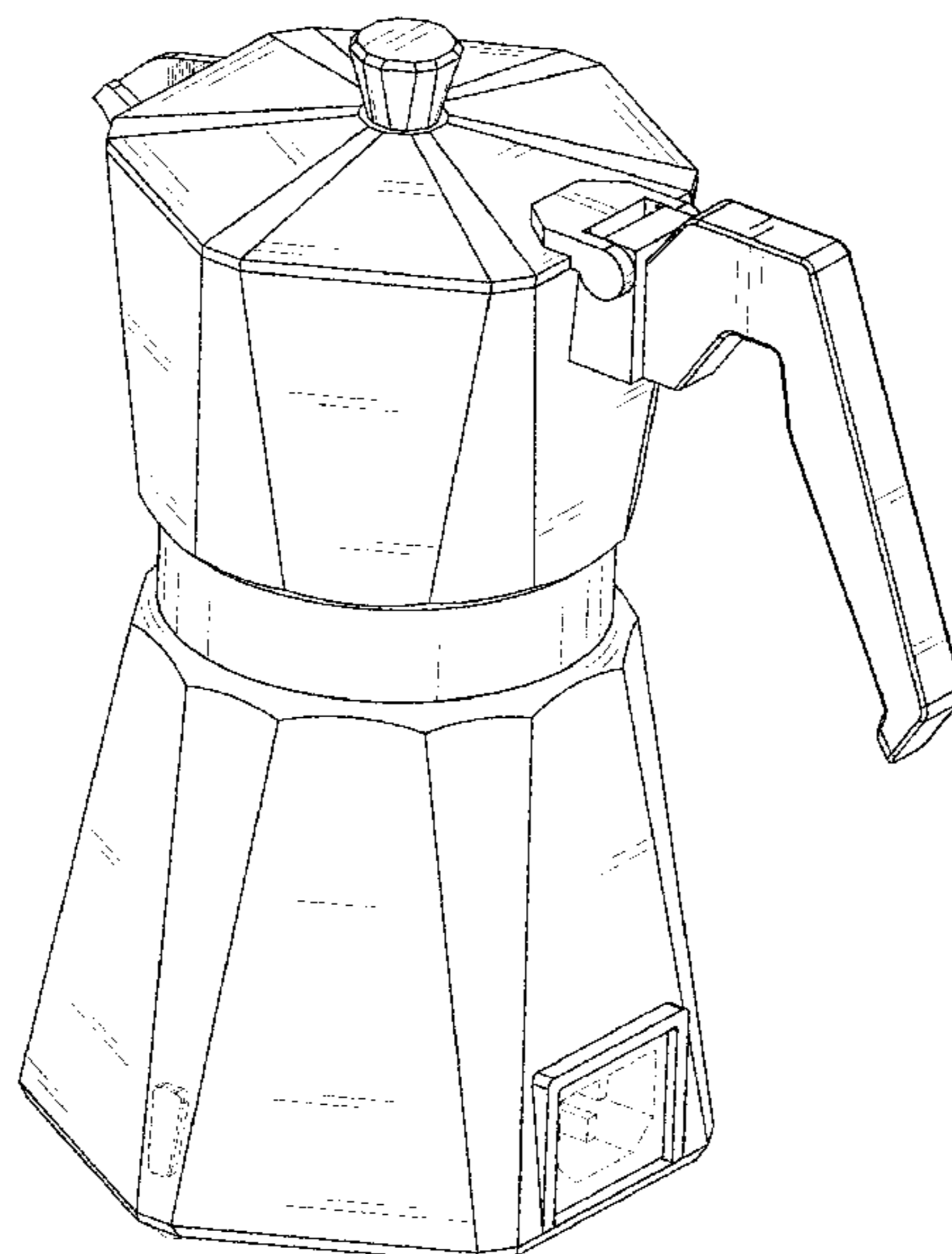
(57) **CLAIM**

The ornamental design for a coffee pot, as shown and described.

DESCRIPTION

FIG. 1 is a front perspective view of a coffee pot of the present disclosure;
FIG. 2 is a rear perspective view thereof;
FIG. 3 is a front elevational view thereof;
FIG. 4 is a rear elevational view thereof;
FIG. 5 is a left-side elevational thereof;
FIG. 6 is a right-side elevational thereof;
FIG. 7 is a top plan view thereof; and,
FIG. 8 is a bottom plan view thereof.
The broken lines shown in the drawings represent portions of the coffee pot and form no part of the claimed design.

1 Claim, 8 Drawing Sheets



(56)

References Cited

U.S. PATENT DOCUMENTS

D257,313 S * 10/1980 Painter D7/317
D281,386 S * 11/1985 Zimmermann D7/319
D281,569 S * 12/1985 Zimmermann D7/319
D308,460 S * 6/1990 Balzano D7/321
D312,744 S * 12/1990 Jorgensen D7/317
D374,369 S * 10/1996 Wilkinson D7/305
D403,200 S * 12/1998 Joergensen D7/322
D439,791 S * 4/2001 Vignao' A47J 31/605
D7/322
D450,522 S * 11/2001 Chen A47J 31/52
D7/319
D472,755 S * 4/2003 Su A47J 31/303
D7/310
D482,925 S * 12/2003 Yuen A47J 31/306
D7/322
6,968,774 B1 * 11/2005 Bodum A47J 31/306
99/305
D532,244 S * 11/2006 Ancona D7/317
D548,509 S * 8/2007 Ancona D7/317
D552,418 S * 10/2007 Ranzoni D7/398
D638,652 S * 5/2011 Arch D7/317
D640,085 S * 6/2011 Appleton D7/317
D644,866 S * 9/2011 Munro D7/322
D949,618 S * 4/2022 Bodum A47G 29/093
D7/319
D954,484 S * 6/2022 DeLeo D7/309
2007/0272086 A1 * 11/2007 Ancona A47J 31/303
99/287
2022/0361704 A1 * 11/2022 Nie A47J 31/52

* cited by examiner

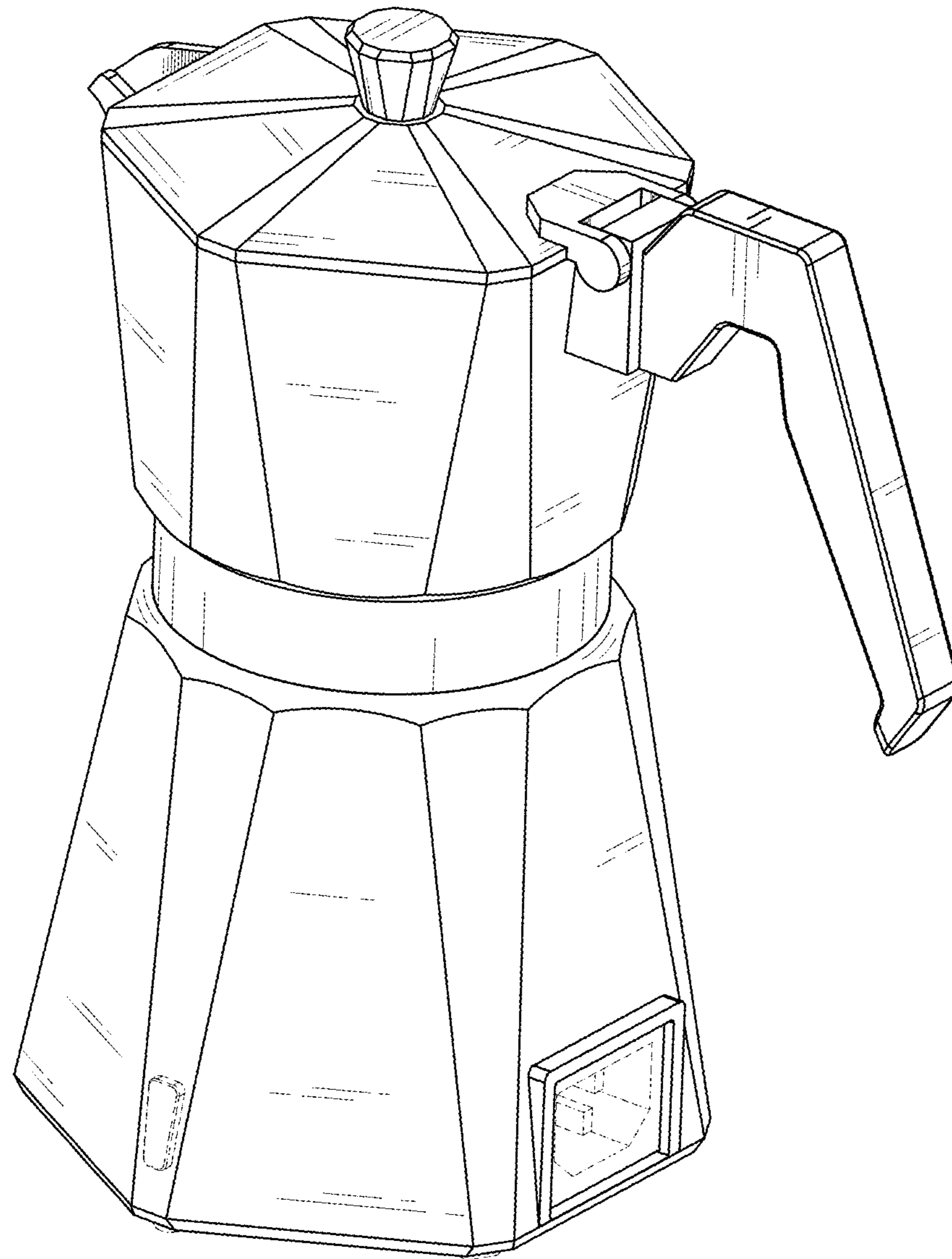


FIG. 1

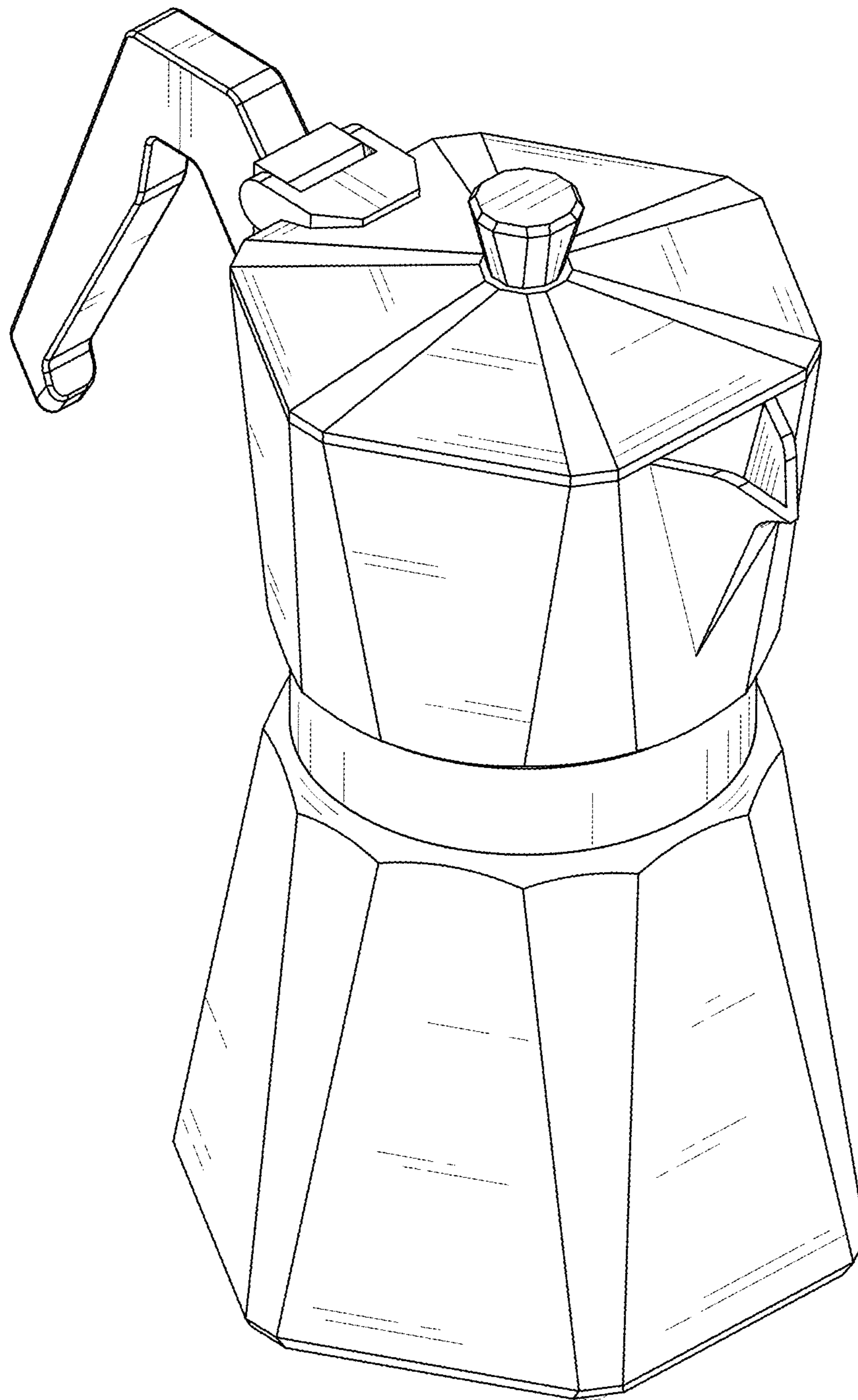


FIG. 2

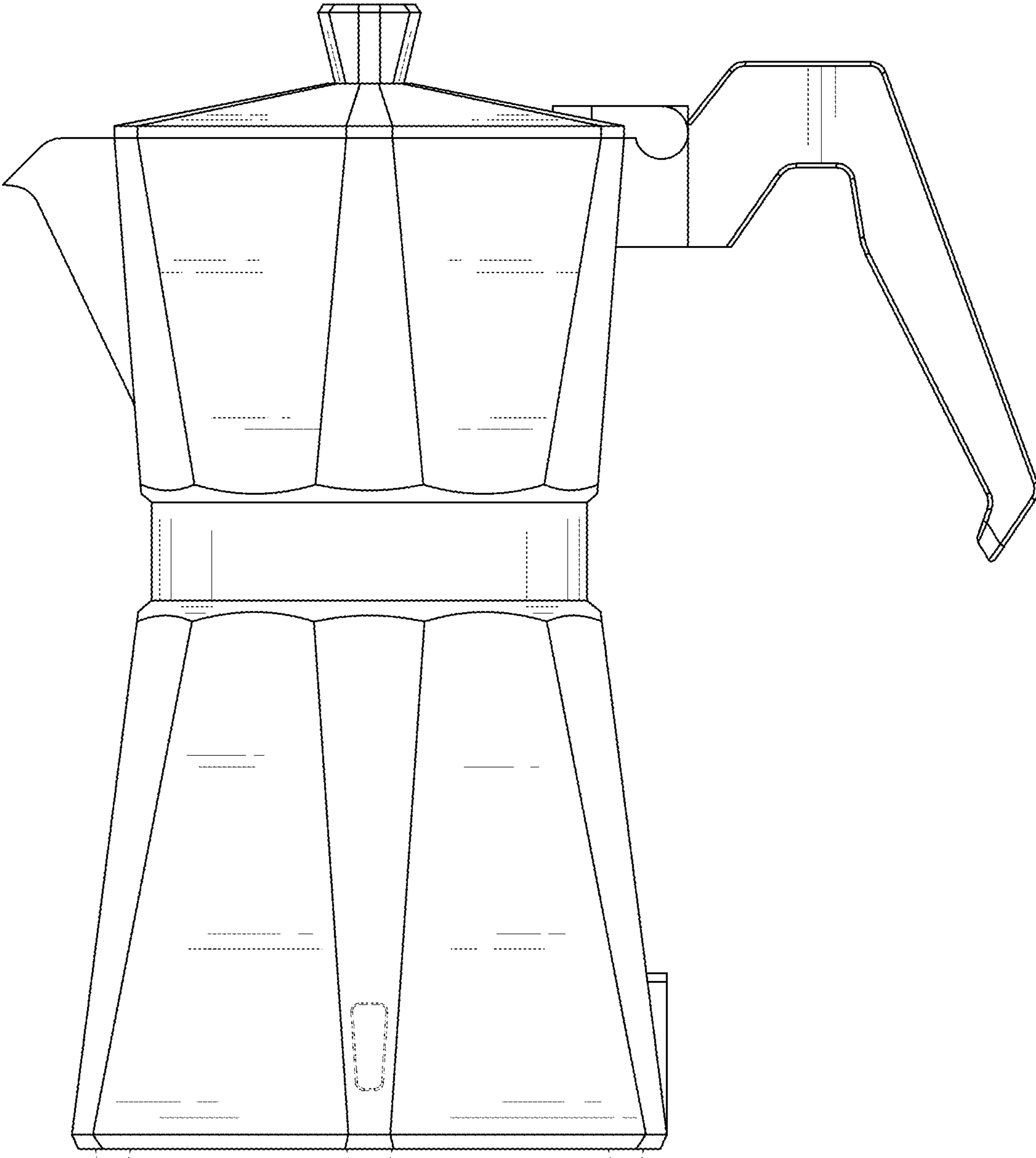


FIG. 3

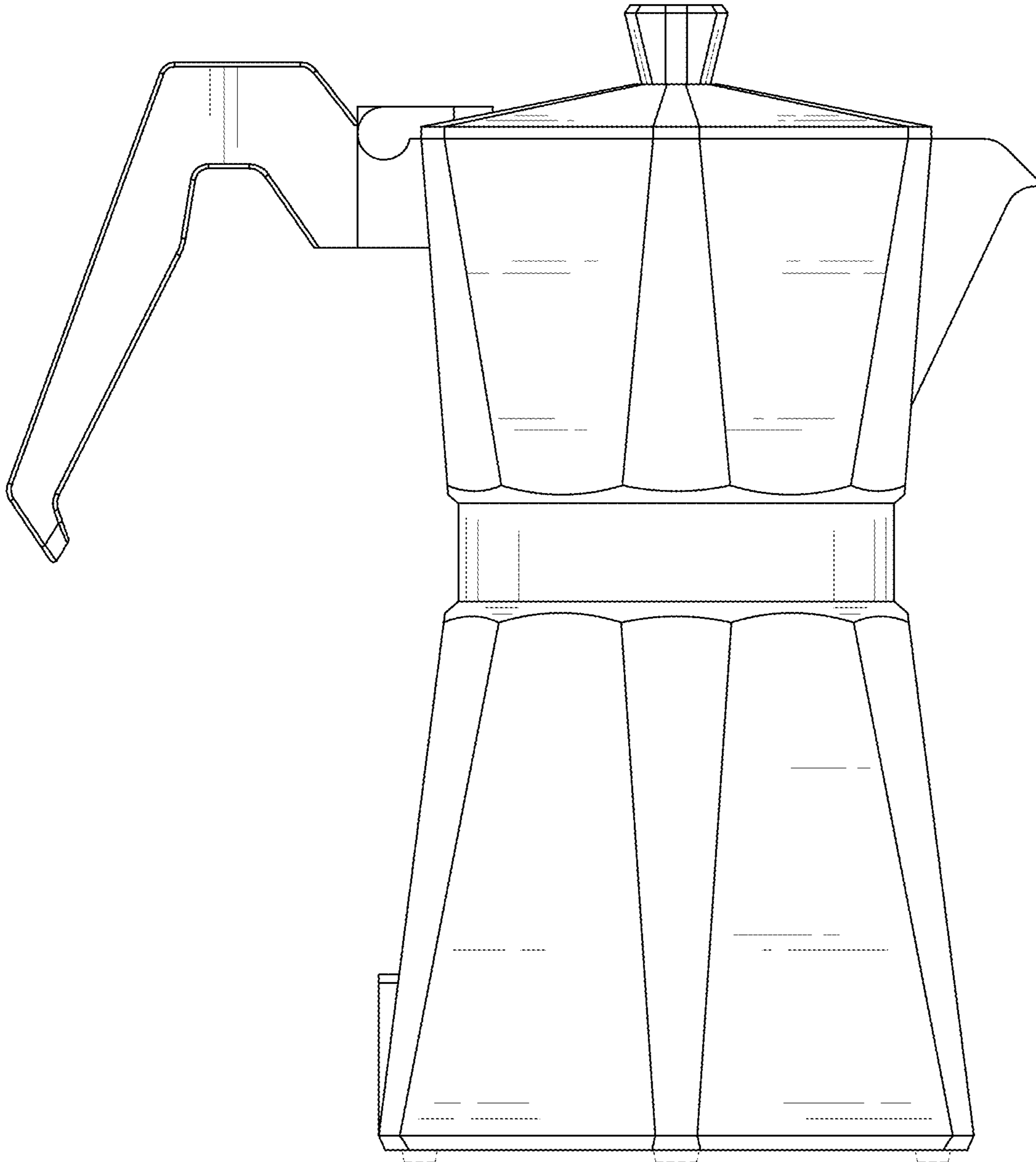


FIG. 4

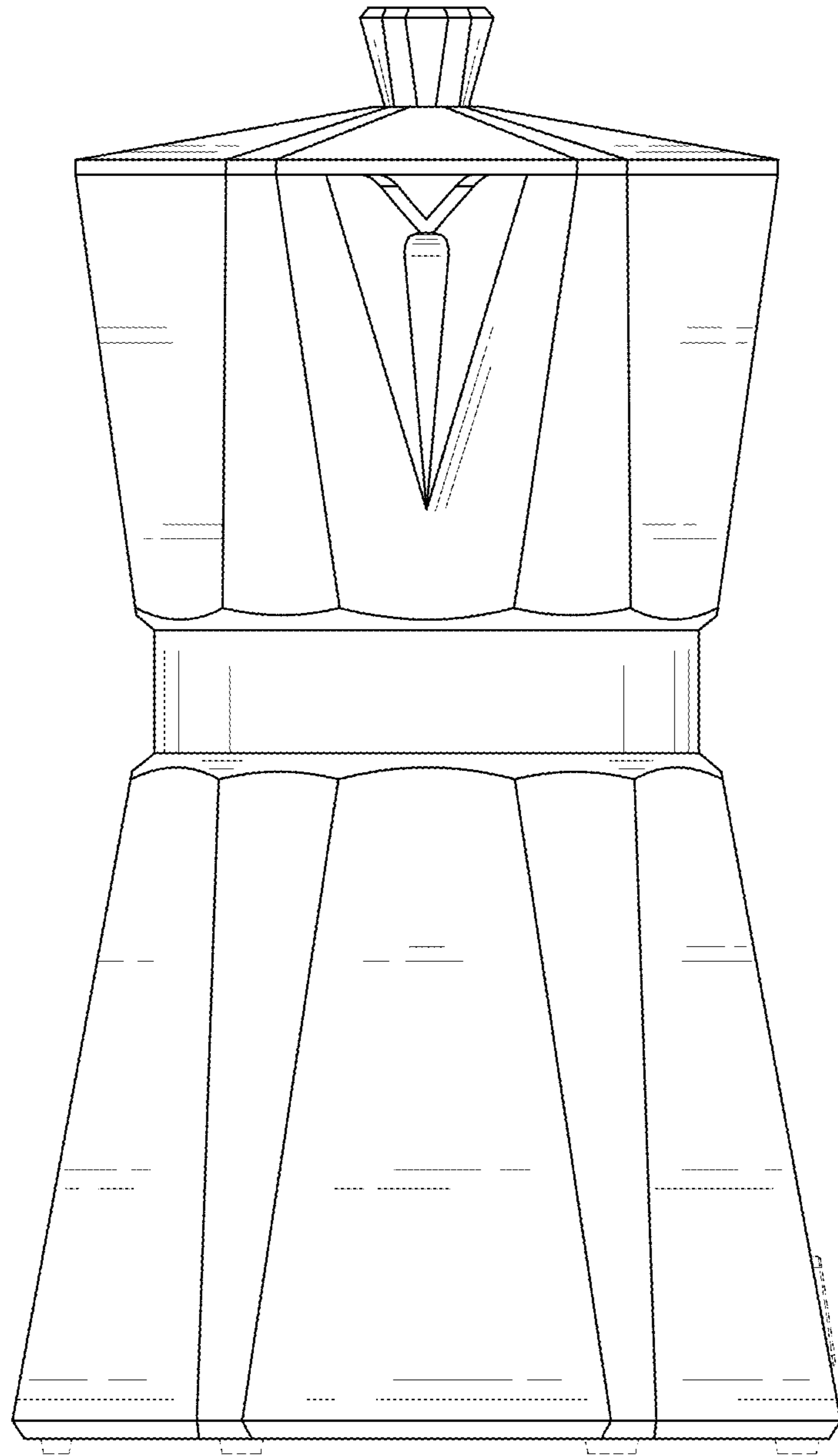


FIG. 5

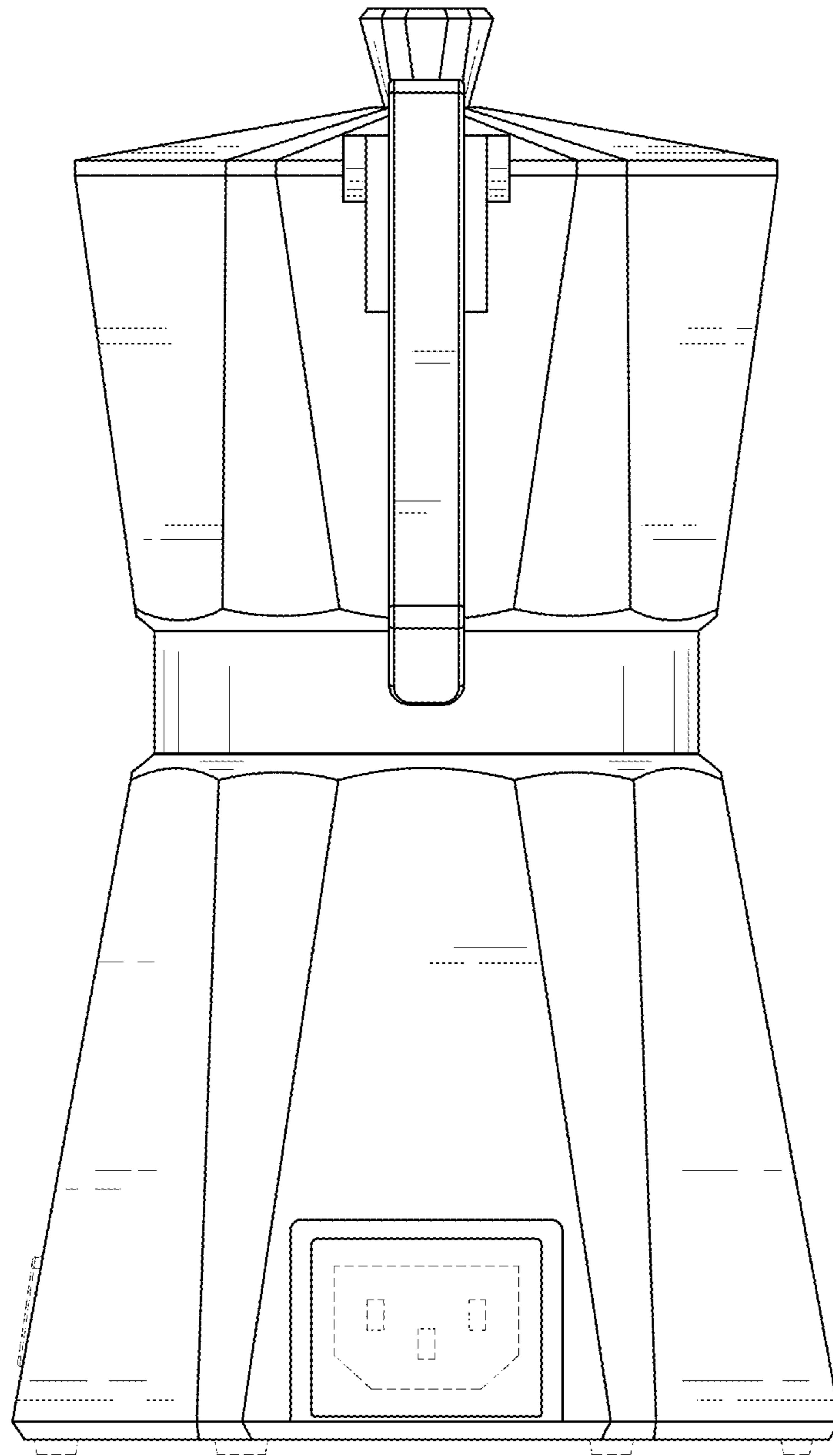


FIG. 6

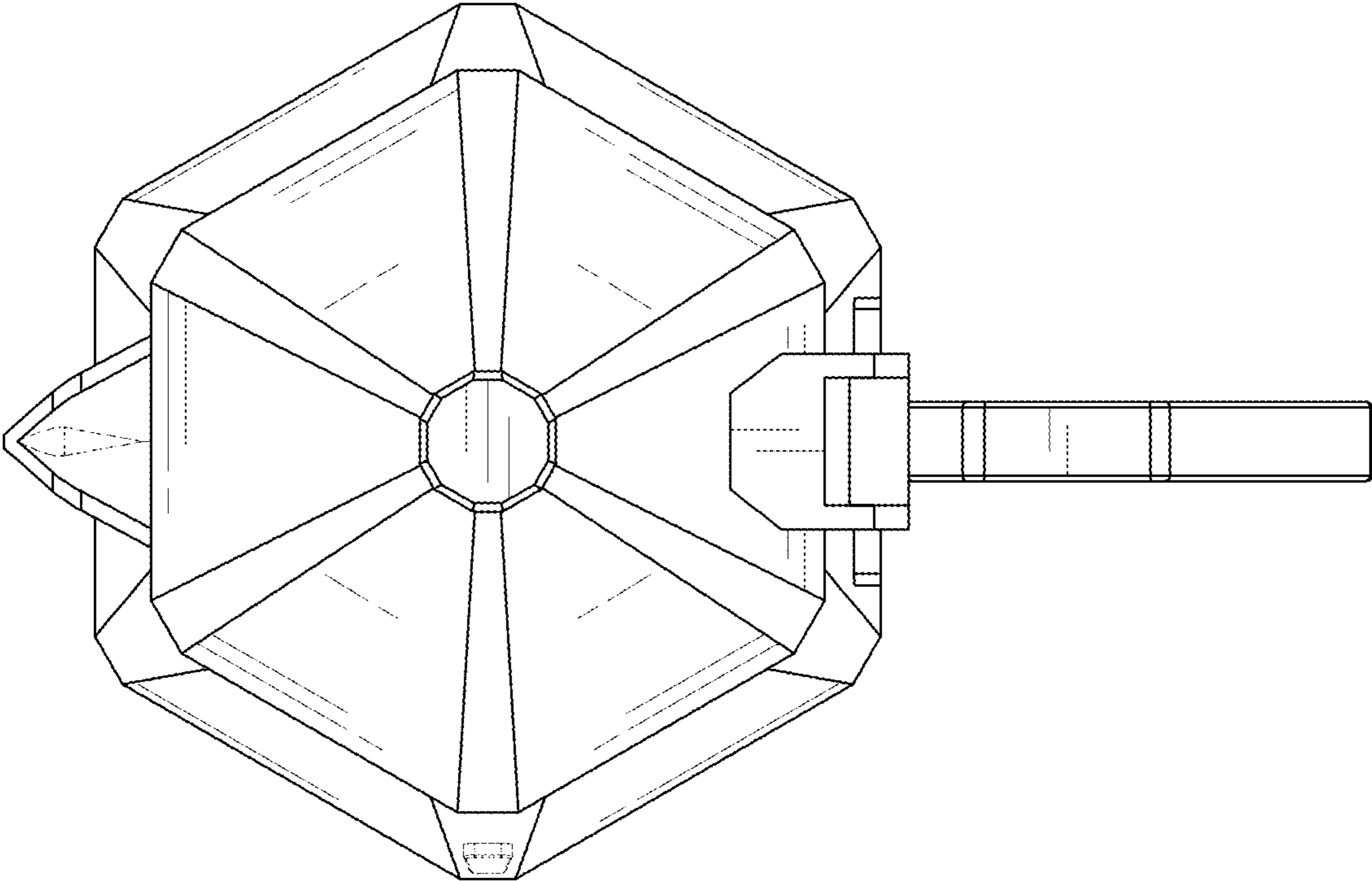


FIG. 7

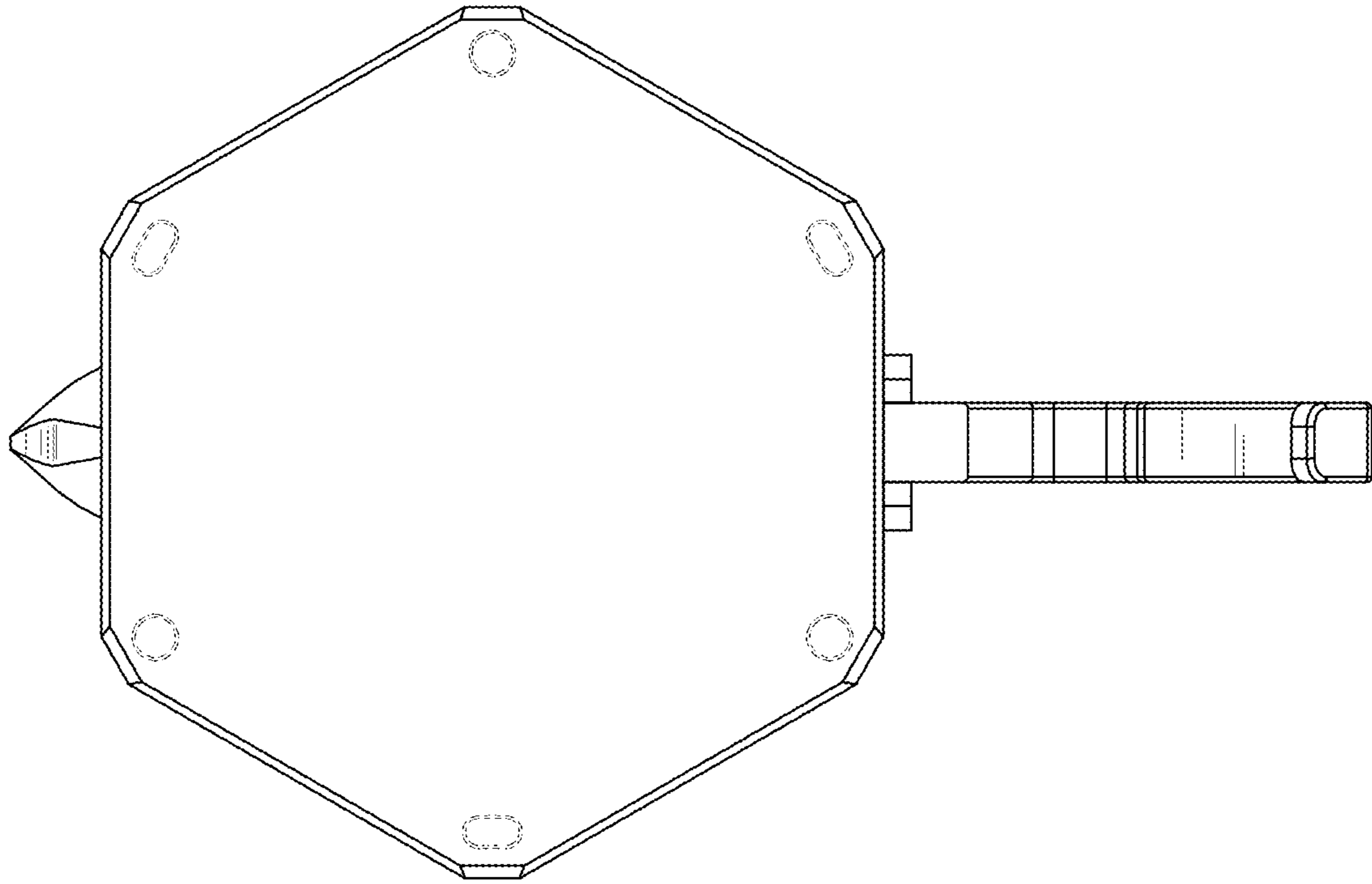


FIG. 8