



US00D983583S

(12) **United States Design Patent**  
**Wei**

(10) **Patent No.:** **US D983,583 S**

(45) **Date of Patent:** **\*\* Apr. 18, 2023**

(54) **BED RAIL**

(71) Applicant: **MAXLEAD INNOVATIONS CO., LTD**, Shenzhen (CN)

(72) Inventor: **Jianying Wei**, Guangzhou (CN)

(73) Assignee: **MAXLEAD INNOVATIONS CO., LTD**, Shenzhen (CN)

(\*\*) Term: **15 Years**

(21) Appl. No.: **29/859,386**

(22) Filed: **Nov. 9, 2022**

(51) **LOC (14) Cl.** ..... **06-06**

(52) **U.S. Cl.**  
USPC ..... **D6/718.3**

(58) **Field of Classification Search**  
USPC ..... D6/382, 385, 388, 390, 391, 392, 393,  
D6/394, 718.26, 718.3  
CPC ..... A47C 21/08; A47C 31/00; A47D 15/008;  
A47D 15/005  
See application file for complete search history.

(56) **References Cited**

**U.S. PATENT DOCUMENTS**

3,930,273	A *	1/1976	Stern	.....	A61G 7/0507
					5/100
D433,856	S *	11/2000	Blum	.....	D6/718.3
6,289,539	B1 *	9/2001	Alpern	.....	A61G 7/0507
					5/81.1 R
6,401,280	B1 *	6/2002	Baker	.....	A61G 7/0507
					5/426
7,373,679	B2 *	5/2008	Miller	.....	A61G 7/0518
					5/426
D798,641	S	10/2017	Miller		
D906,749	S	1/2021	Teng		
D915,118	S *	4/2021	Savioli	.....	D6/718.3

11,369,533	B2 *	6/2022	Kousik	.....	A61G 7/0533
2007/0083994	A1 *	4/2007	Miller	.....	A47C 21/08
					5/430
2015/0216750	A1 *	8/2015	Miller	.....	A61G 7/0518
					29/428

**OTHER PUBLICATIONS**

“Carex Bed Rails for Elderly Adults.” Found online Feb. 25, 2023 at www.amzon.com. Product first available Jun. 23, 2006. Retrieved from URL: <https://www.amazon.com/Carex-Health-Brands-P56600-Support/dp/B001AFEQ0E> (Year: 2006).\*

(Continued)

*Primary Examiner* — Mary Ann Calabrese

*Assistant Examiner* — Katelin G Kloberg

(74) *Attorney, Agent, or Firm* — ScienBiziP, P.C.

(57) **CLAIM**

The ornamental design for a bed rail, as shown and described.

**DESCRIPTION**

FIG. 1 is a front, right and top perspective view of a bed rail, showing my design.

FIG. 2 is a rear, left and bottom perspective view thereof.

FIG. 3 is a front elevation view thereof.

FIG. 4 is a rear elevation view thereof.

FIG. 5 is a left side elevation view thereof.

FIG. 6 is a right side elevation view thereof.

FIG. 7 is a top plan view thereof.

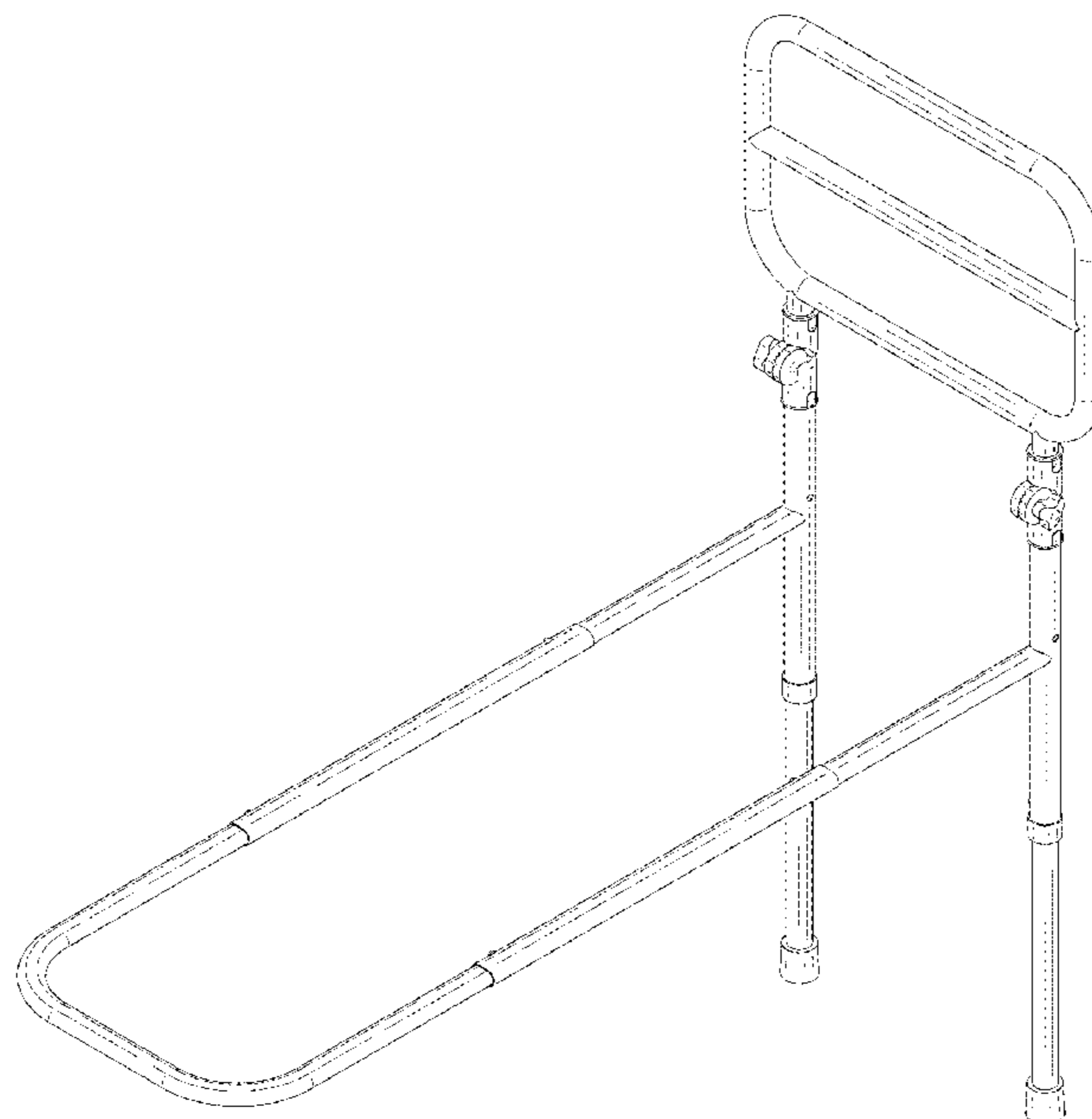
FIG. 8 is a bottom plan view thereof.

FIG. 9 is an enlarged view of detail 9 in FIG. 2; and,

FIG. 10 is another front, right and top perspective view of the bed rail in use.

The broken lines depict portions of the bed rail that form no part of the claimed design. In FIG. 10, the additional broken lines depict environmental subject matter that form no part of the claimed design.

**1 Claim, 10 Drawing Sheets**



(56)

**References Cited**

OTHER PUBLICATIONS

“BigAlex Bed Rails.” Found online Feb. 25, 2023 at [www.amazon.com](http://www.amazon.com). Product first available Apr. 14, 2022. Retrieved from URL: <https://www.amazon.com/dp/B09XX7CGMN> (Year: 2022).\*

“Able Life Bedside Extend-A-Rail.” Found online Feb. 25, 2023 at [www.amazon.com](http://www.amazon.com). Product first available Feb. 6, 2014. Retrieved from URL: <https://www.amazon.com/Able-Life-Bedside-Extend-Rail/dp/B00I45JJOQ> (Year: 2014).\*

“Drive Medical No Gap Deluxe Half Length Side Bed Rails.” Found online Feb. 25, 2023 at [www.amazon.com](http://www.amazon.com). Product first available May 8, 2005. Retrieved from URL: <https://www.amazon.com/Drive-Medical-Deluxe-Length-Finish/dp/B002VWK1D6> (Year: 2005).\*

\* cited by examiner

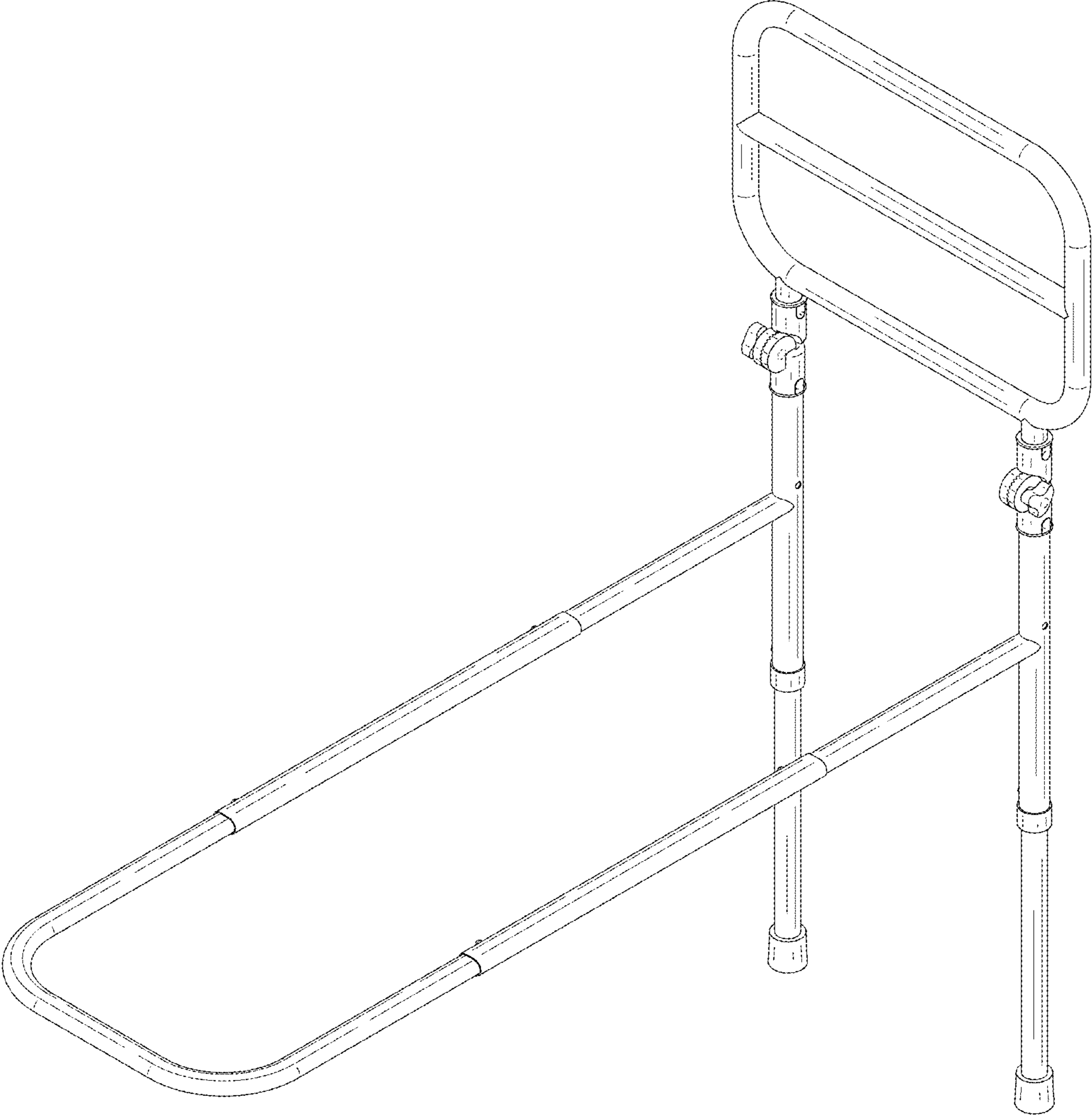


FIG. 1

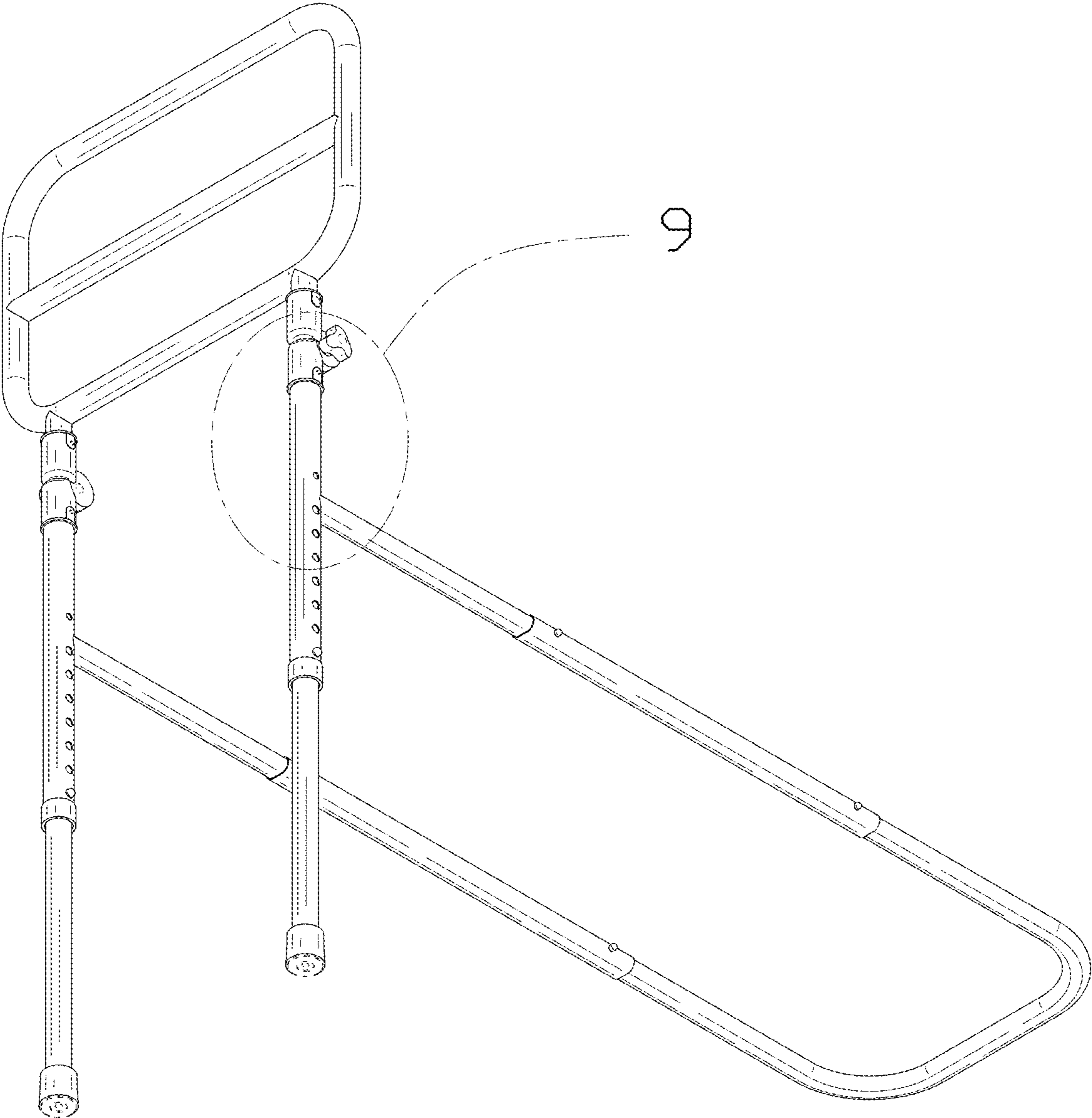


FIG. 2

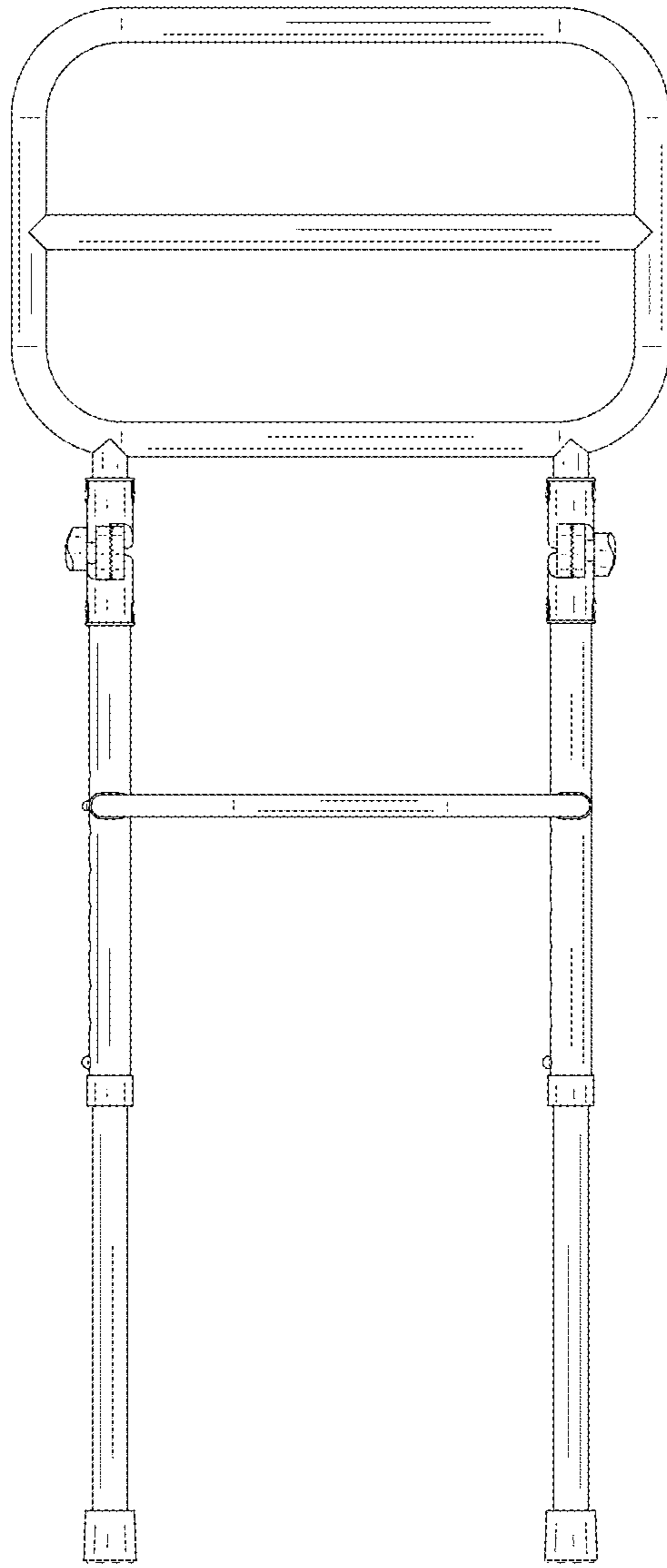


FIG. 3

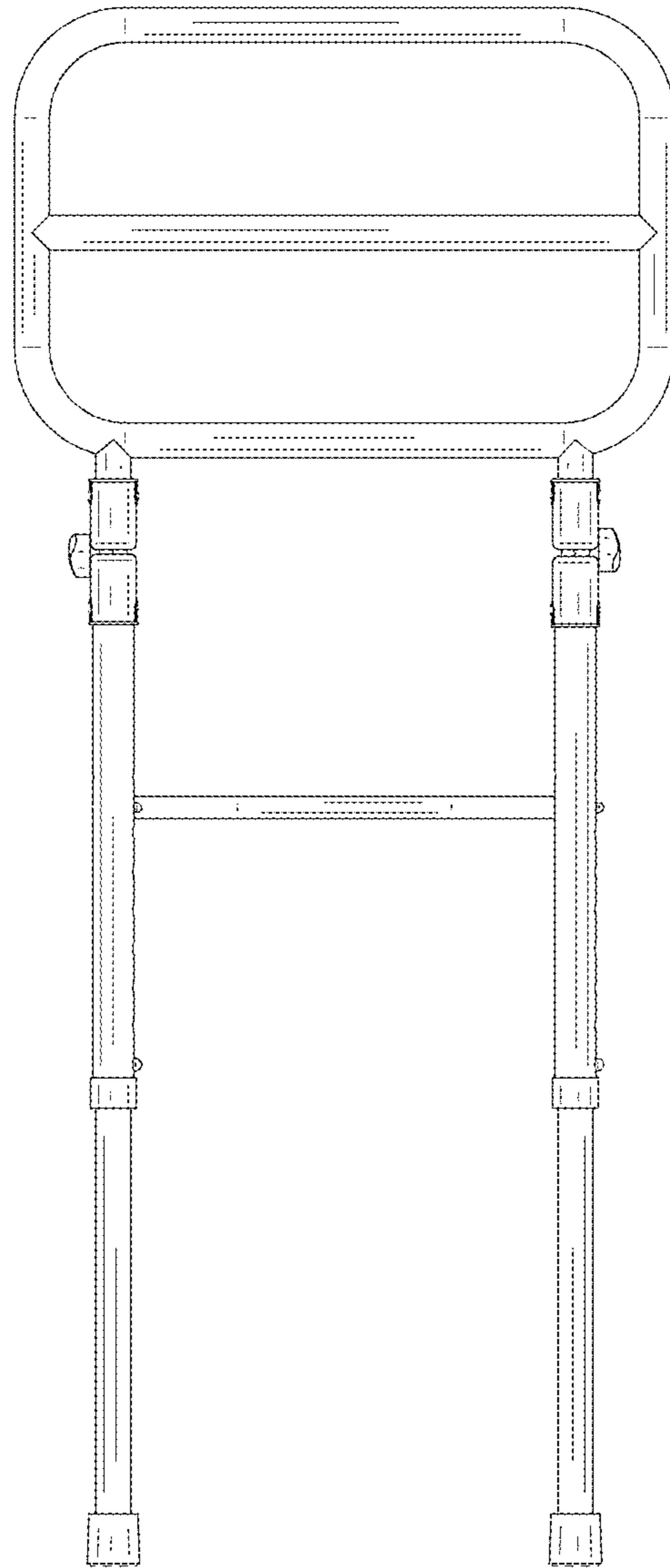


FIG. 4

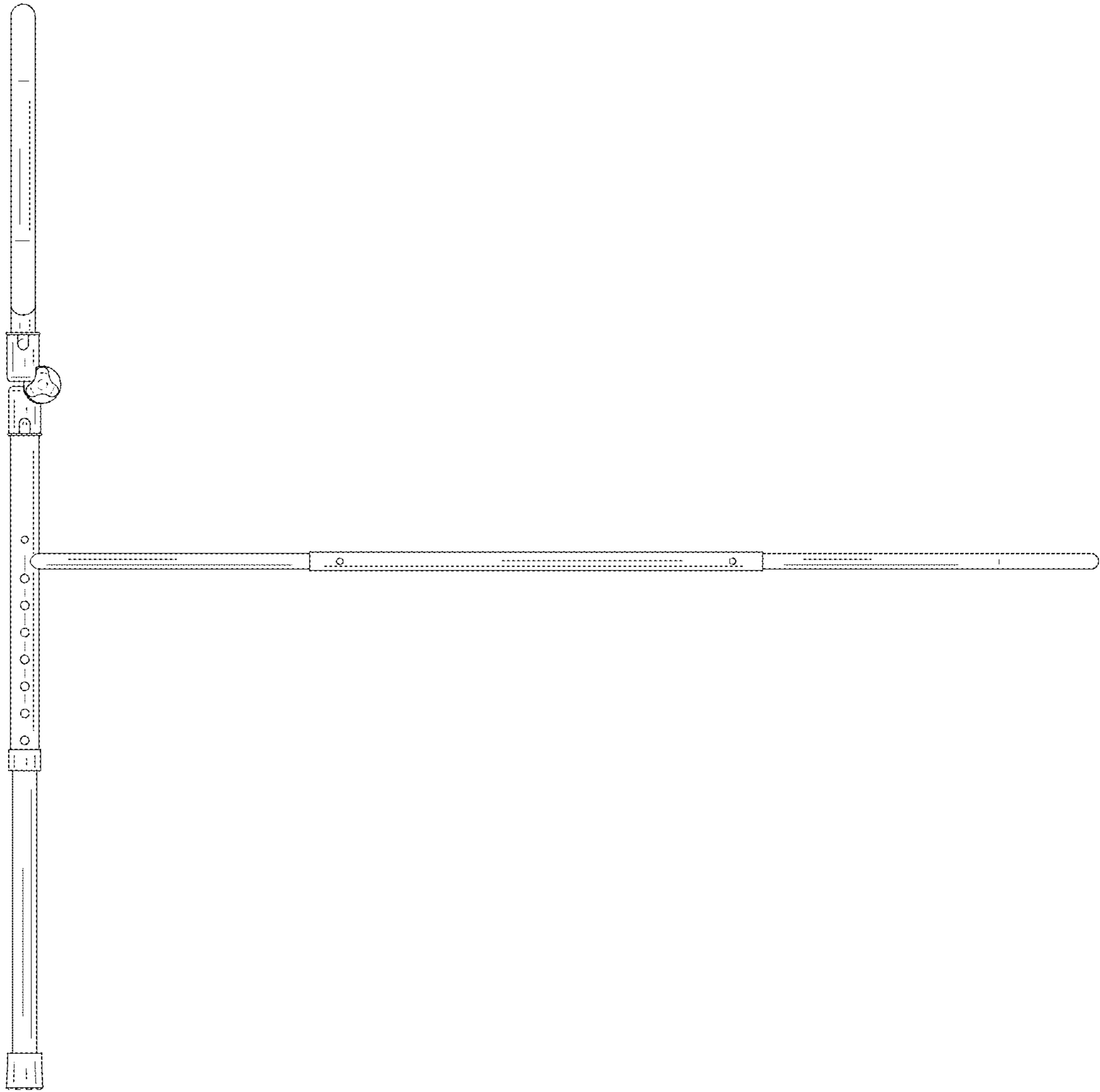


FIG. 5

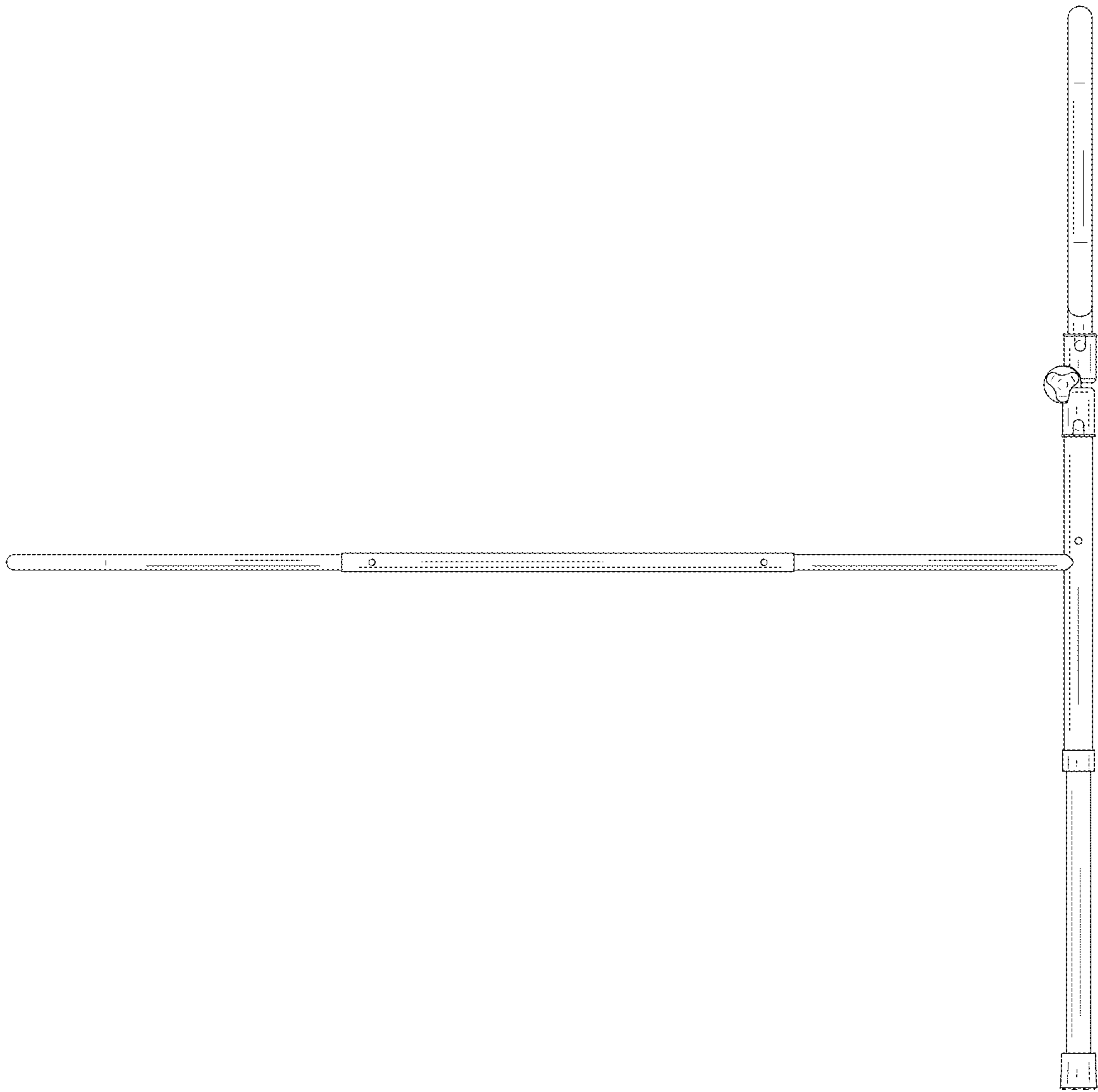


FIG. 6



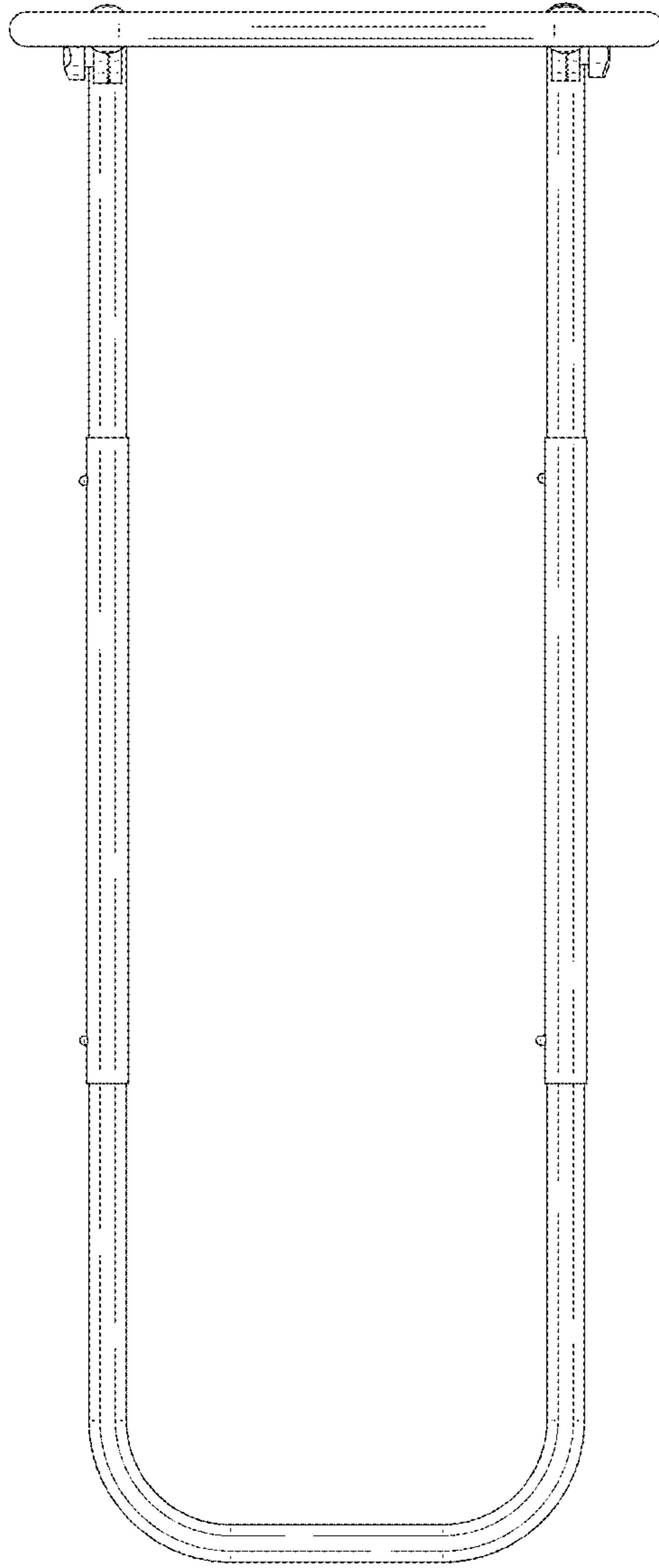


FIG. 7

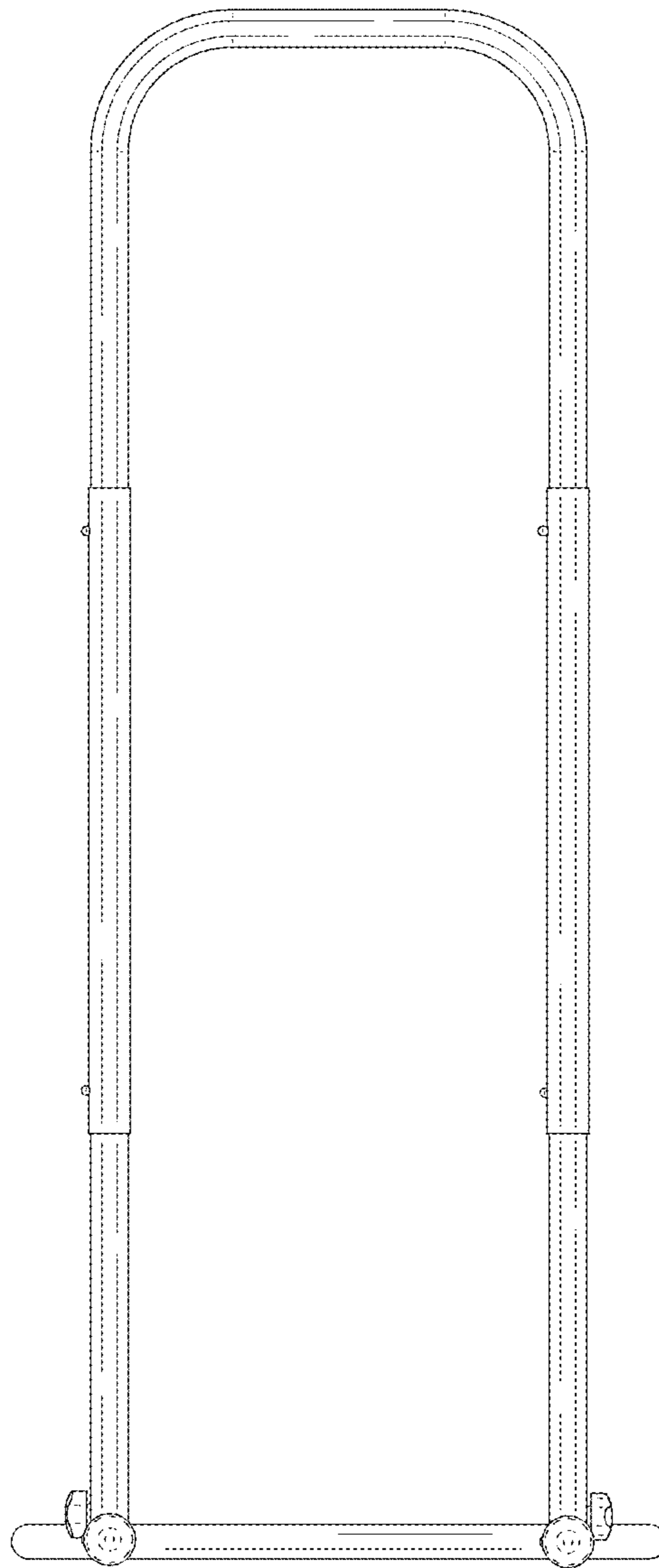


FIG. 8

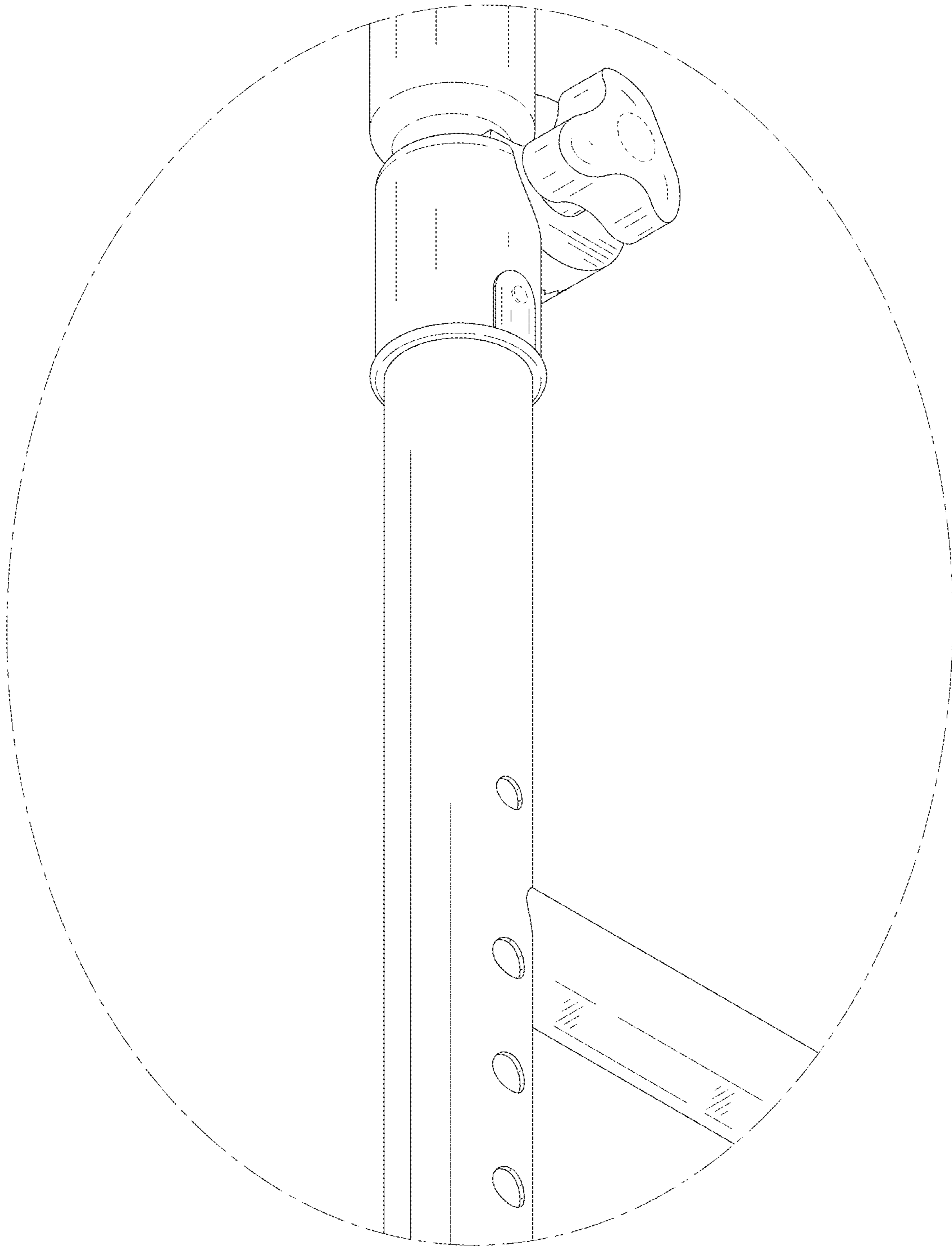


FIG. 9

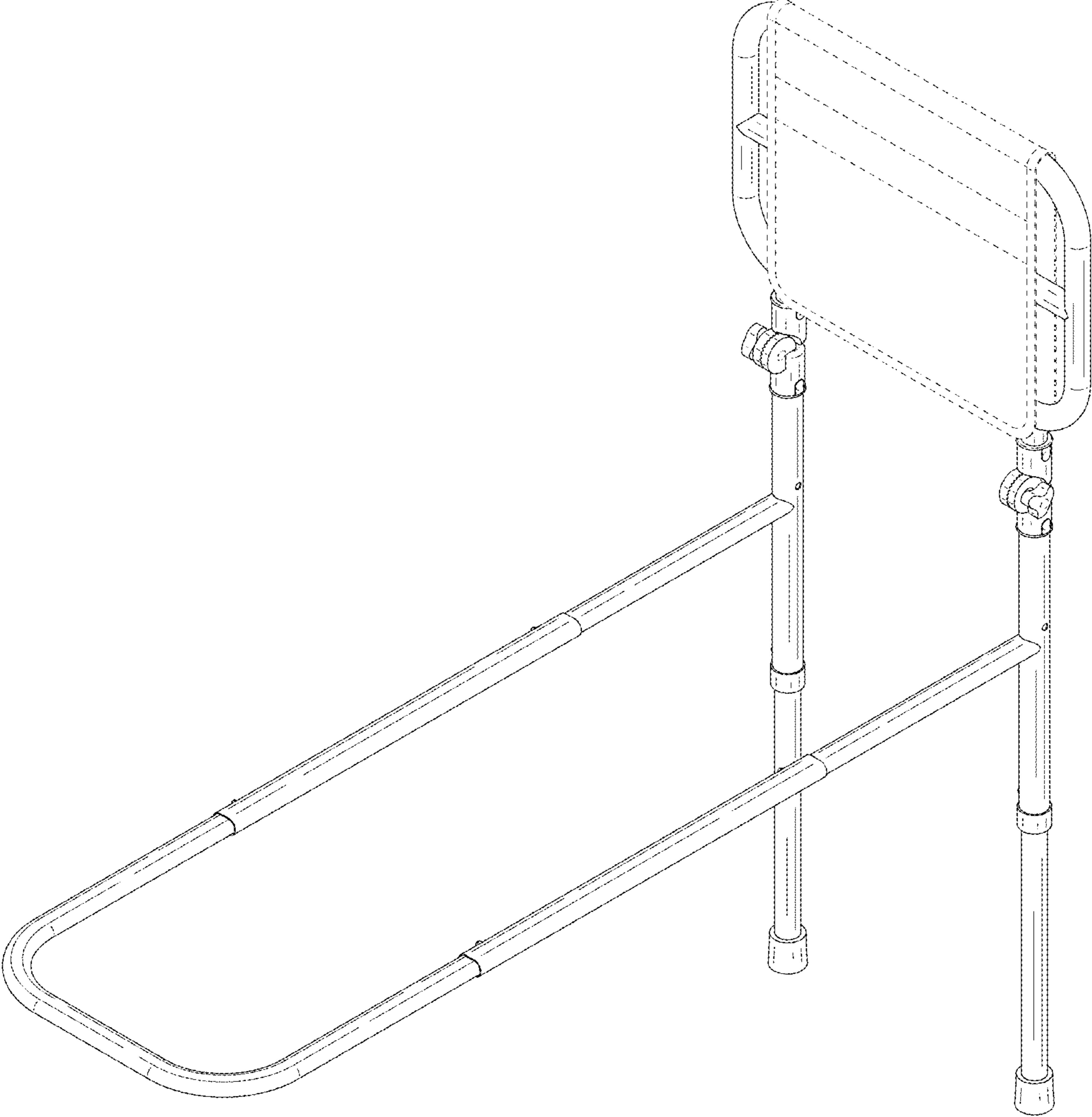


FIG. 10