



US00D983582S

(12) **United States Design Patent**  
**Homma et al.**

(10) **Patent No.:** **US D983,582 S**  
(45) **Date of Patent:** **\*\* Apr. 18, 2023**

(54) **COMBINED HEAD REST AND SEAT SPEAKER**

2017/0106775 A1\* 4/2017 Takada ..... B60N 2/879  
2017/0282769 A1\* 10/2017 Stephan ..... B60N 2/885  
2020/0055434 A1\* 2/2020 Hunt ..... B60N 2/879

(71) Applicant: **SONY CORPORATION**, Tokyo (JP)

\* cited by examiner

(72) Inventors: **Atsushi Homma**, Tokyo (JP); **Daisuke Ishii**, Kanagawa (JP); **Takuya Motoishi**, Surrey (GB)

*Primary Examiner* — Mimoso De

(74) *Attorney, Agent, or Firm* — Michael Best and Friedrich LLP

(73) Assignee: **SONY CORPORATION**, Tokyo (JP)

(\*\*) Term: **15 Years**

(21) Appl. No.: **29/737,128**

(22) Filed: **Jun. 5, 2020**

(30) **Foreign Application Priority Data**

Mar. 27, 2020 (JP) ..... D2020-006030  
Mar. 27, 2020 (JP) ..... D2020-006032

(51) **LOC (14) Cl.** ..... **06-06**

(52) **U.S. Cl.**  
USPC ..... **D6/716.5**

(58) **Field of Classification Search**  
USPC ... D6/334-336, 356, 367, 716, 716.1, 716.4, D6/716.5  
CPC ..... B60N 2/80; B60N 2/803; B60N 2/806; B60N 2/856; B60N 2/882; B60N 2/885; B60N 2/879; A47C 7/38; A47C 7/383; A47C 7/386; B29L 2031/3023  
See application file for complete search history.

(56) **References Cited**

**U.S. PATENT DOCUMENTS**

5,820,222 A \* 10/1998 De Filippo ..... B60N 2/80 297/220  
10,596,941 B2 \* 3/2020 Kakishima ..... B60N 2/879  
D907,380 S \* 1/2021 Iulita ..... D6/356  
11,485,262 B2 \* 11/2022 Sato ..... B60N 2/879  
2016/0257227 A1 \* 9/2016 Takada ..... B60N 2/879

(57) **CLAIM**

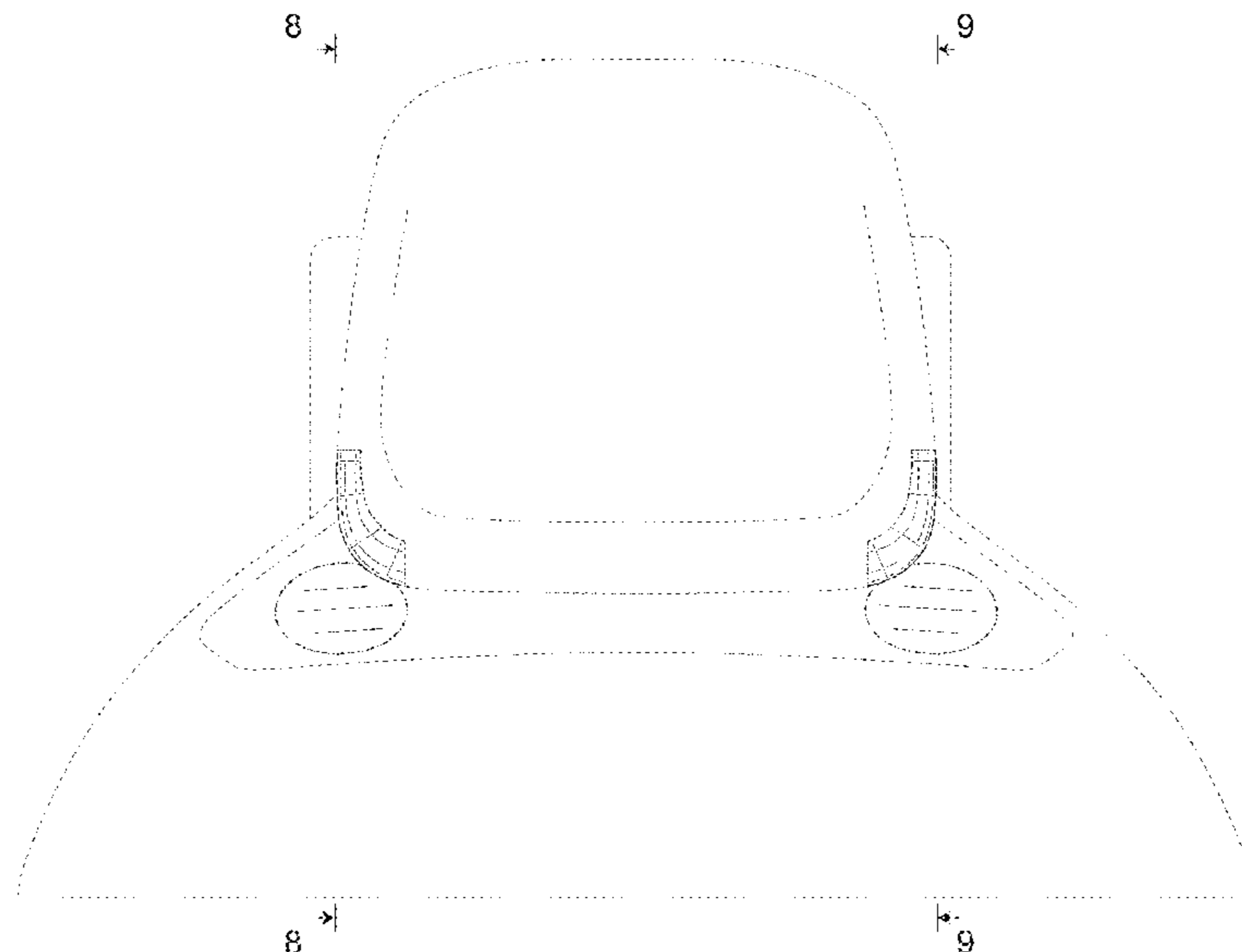
The ornamental design for a combined head rest and seat speaker, as shown and described.

**DESCRIPTION**

FIG. 1 is a front elevational view of a combined head rest and seat speaker showing our new design;  
FIG. 2 is a right side elevational view thereof, a left side elevational view being a mirror image;  
FIG. 3 is a partially enlarged cross sectional front elevational view thereof cut along the line 3-3 of FIG. 1 and along the lines 3-3 and 3'-3' of FIG. 2;  
FIG. 4 is a partially enlarged cross sectional left side elevational view thereof cut along the line 4-4 of FIG. 1 and along the lines 4-4 and 4'-4' of FIG. 2;  
FIG. 5 is a further partially enlarged cross sectional front elevational view thereof at the portion 5 of FIG. 3;  
FIG. 6 is a further partially enlarged left side elevational view thereof at the portion 6 of FIG. 4;  
FIG. 7 is a right side elevational view thereof;  
FIG. 8 is a cross sectional left side elevational view thereof cut along the line 8-8 of FIG. 5; and,  
FIG. 9 is a cross sectional right side elevational view thereof cut along the line 9-9 of FIG. 5.

The broken lines illustrating portions of a seat and a head rest of an automobile form no part of the claimed design. The dot-dash broken lines defining boundaries of the claimed design form no part of the claimed design.

**1 Claim, 9 Drawing Sheets**



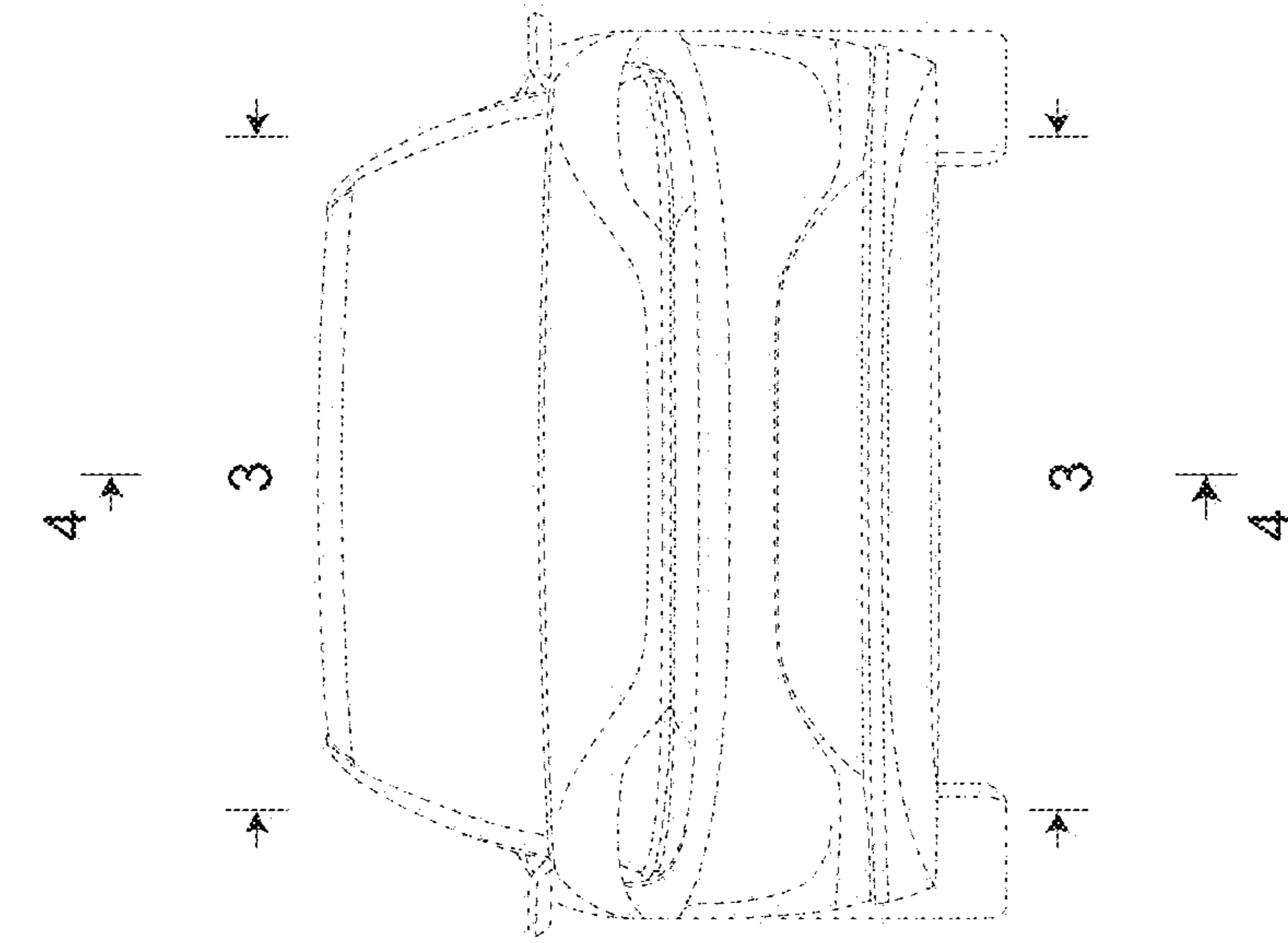
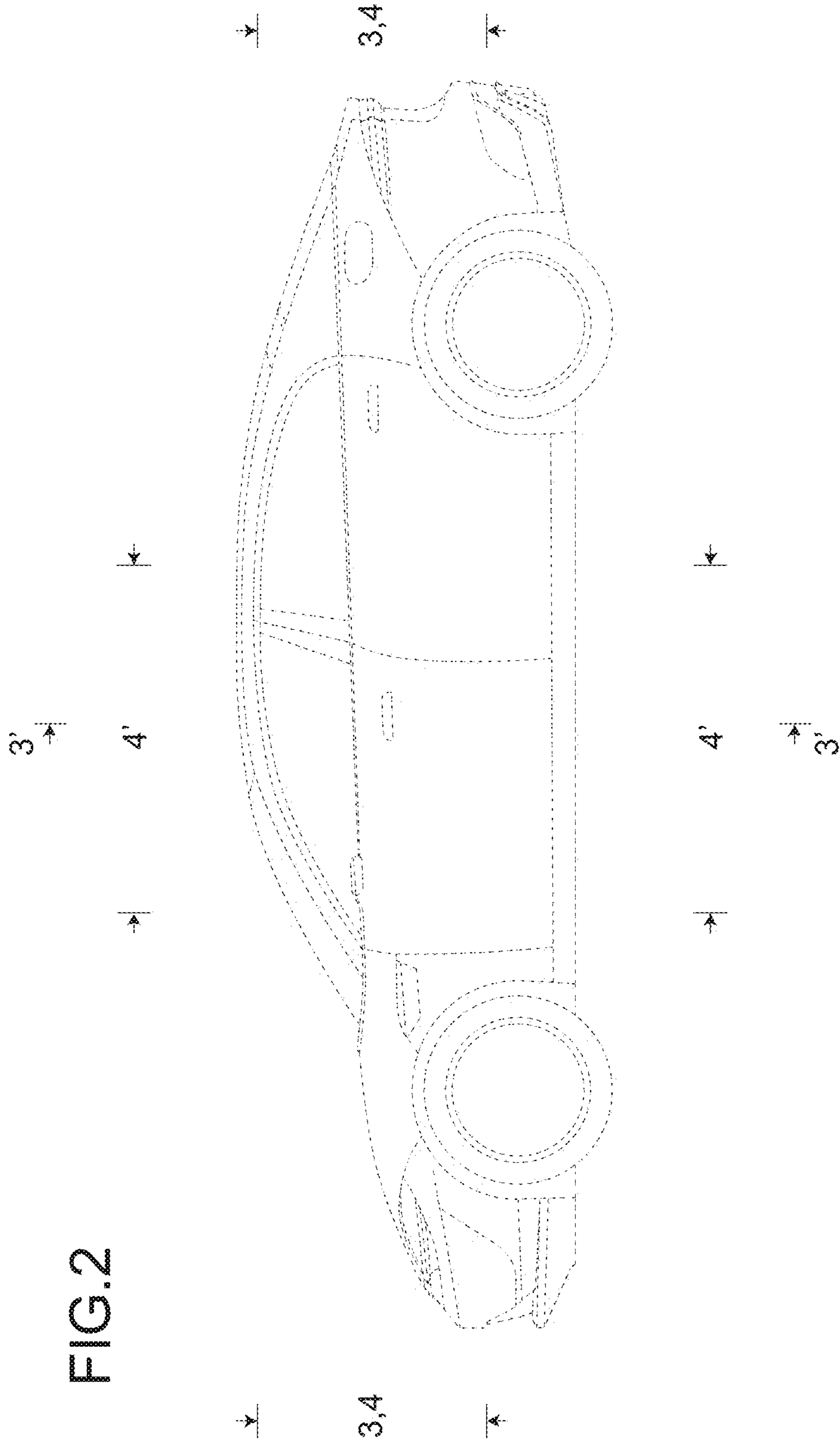


FIG. 1

FIG.2



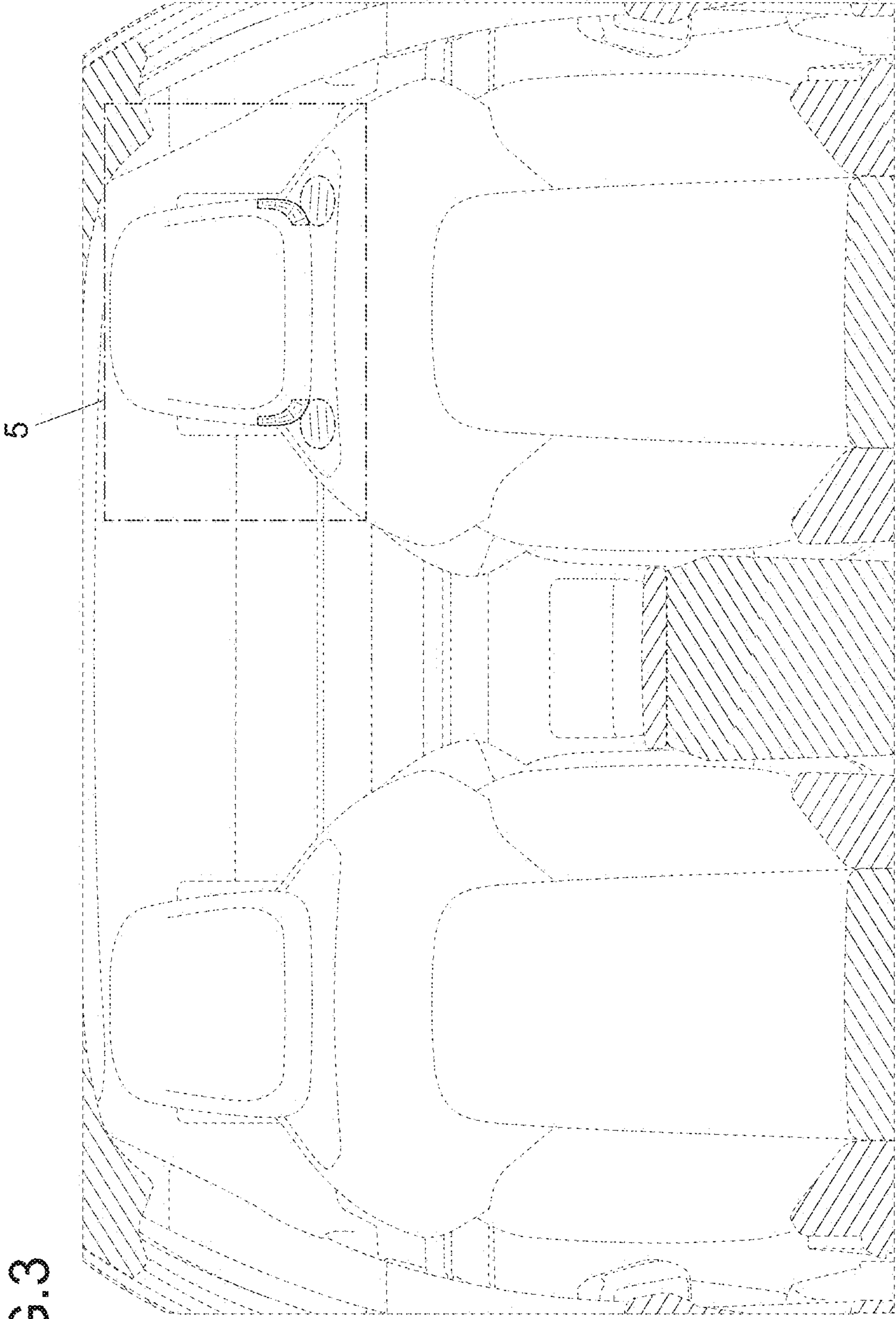
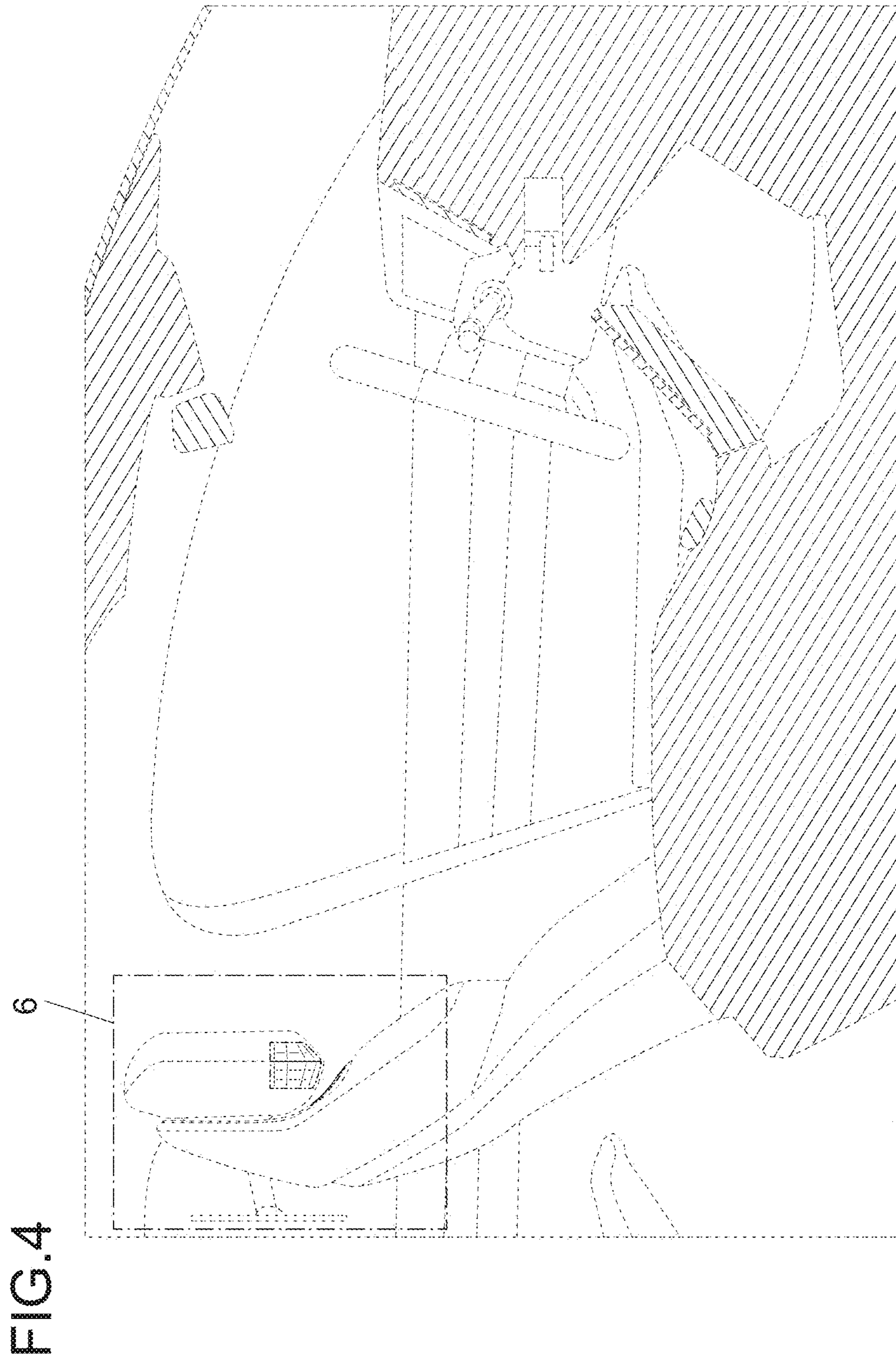


FIG. 3





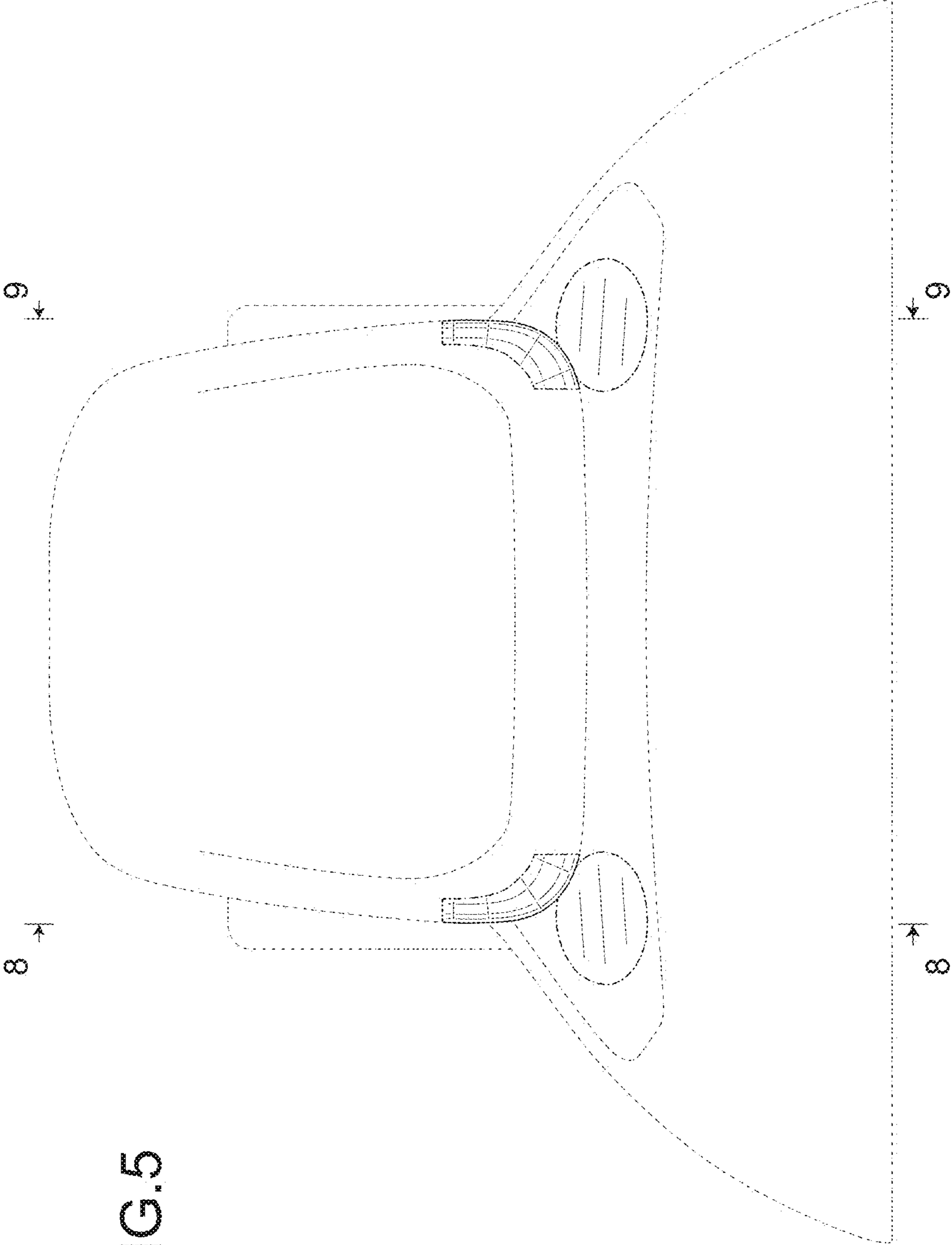


FIG. 5

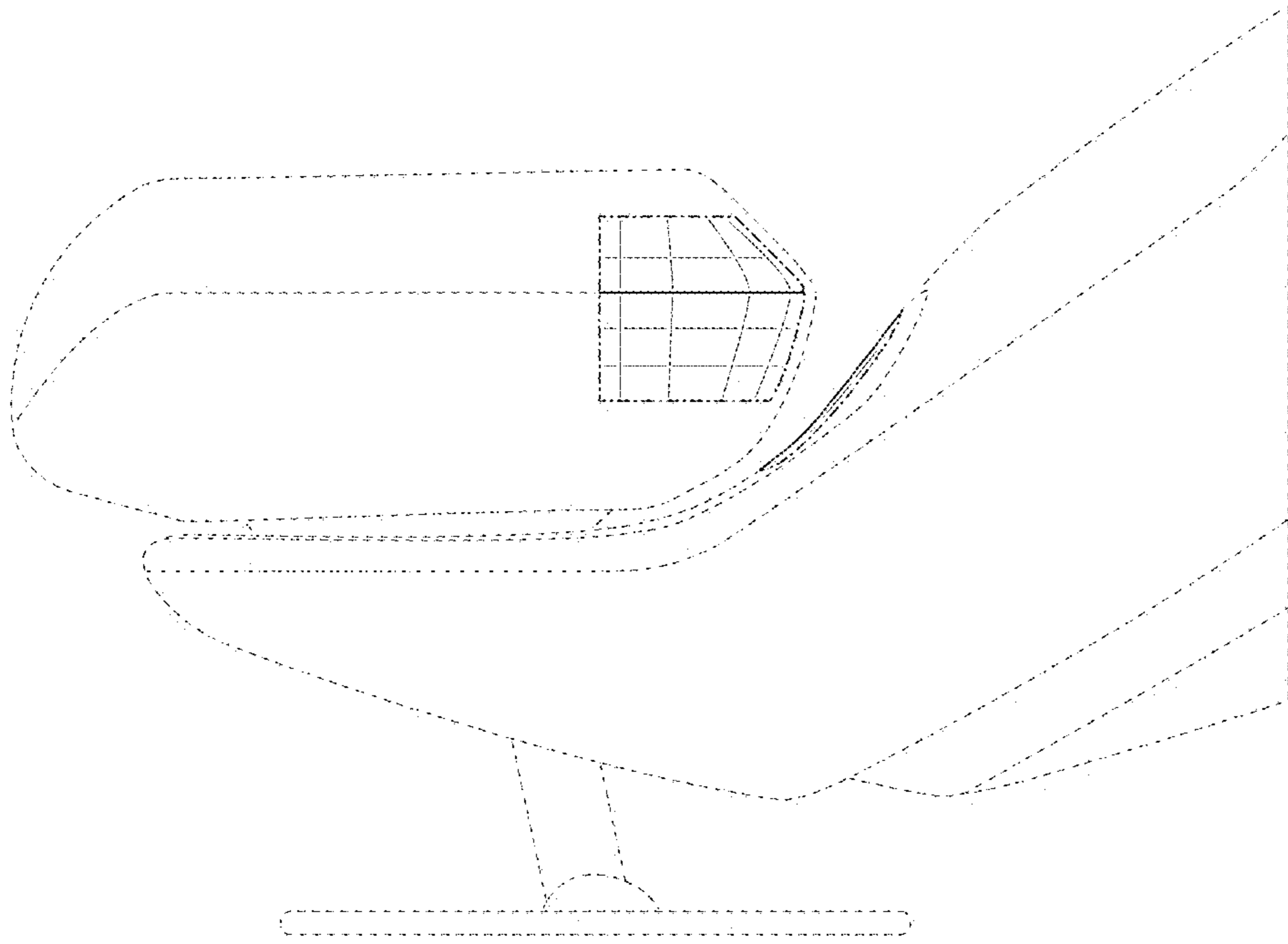


FIG. 6

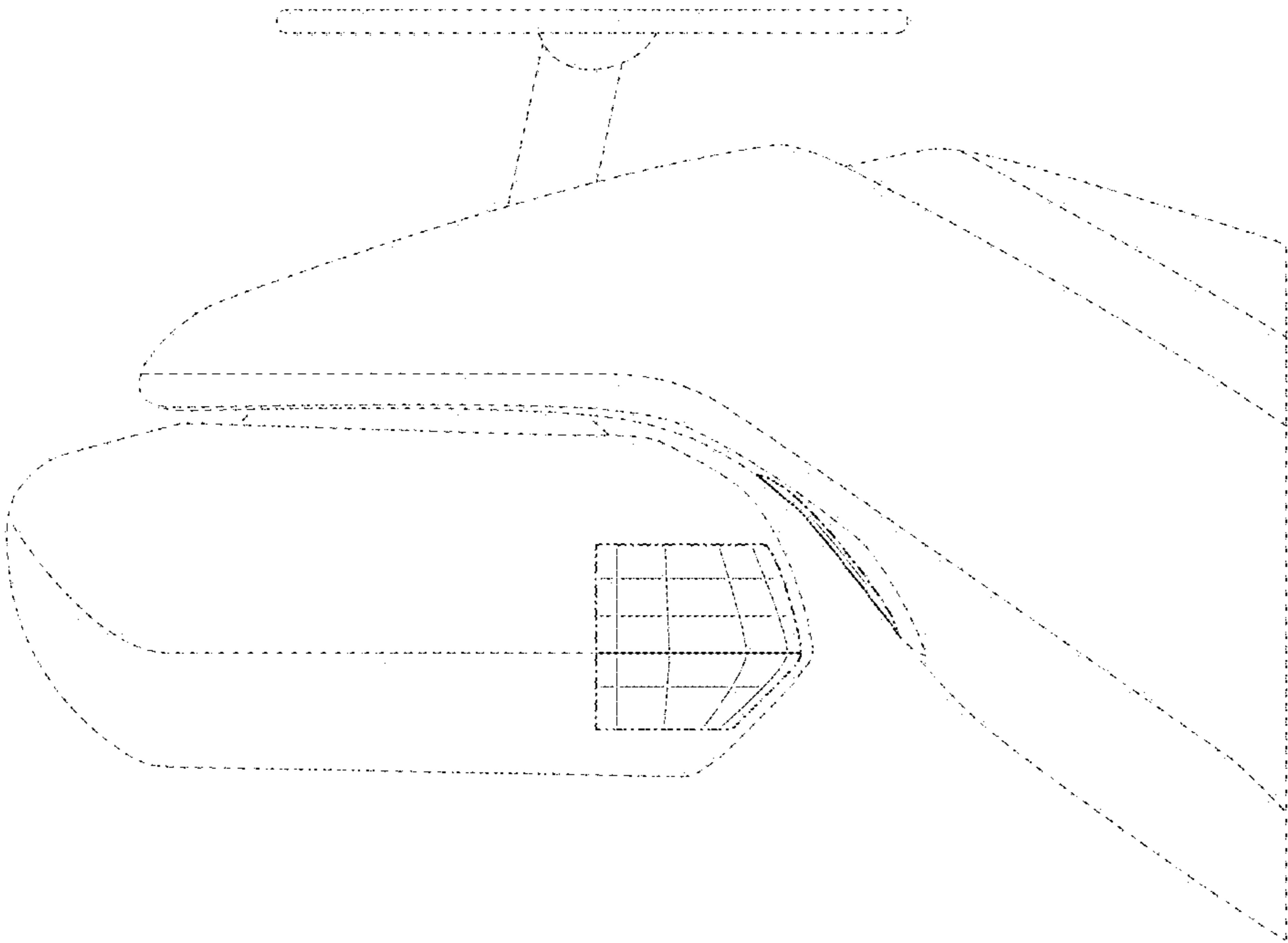


FIG. 7



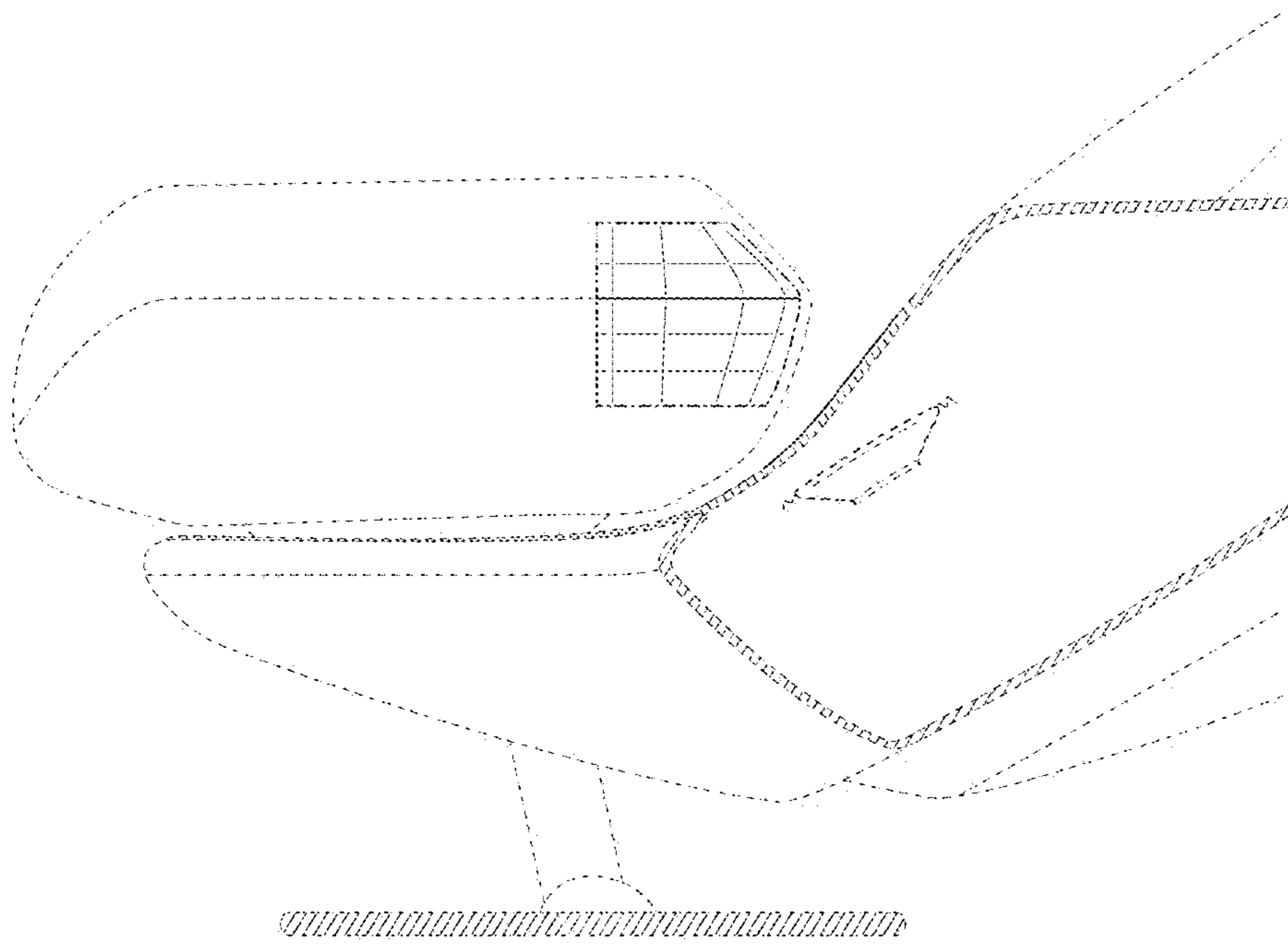


FIG. 8

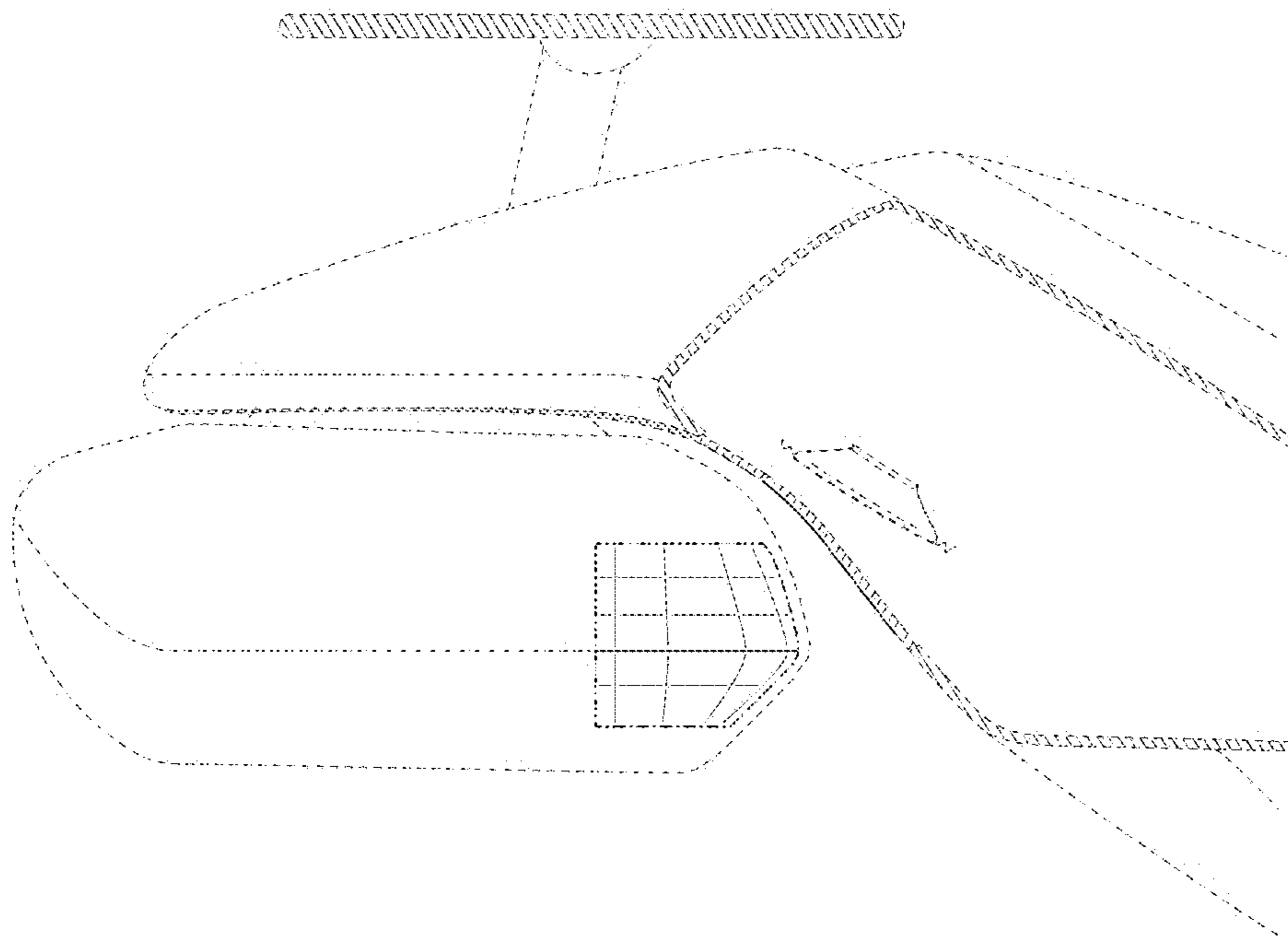


FIG. 9