



US00D983581S

(12) **United States Design Patent** (10) **Patent No.:** **US D983,581 S**  
**Xu** (45) **Date of Patent:** **\*\* Apr. 18, 2023**

(54) **BAR CHAIR**

(71) Applicant: **Aojie Xu**, Jiaxing (CN)

(72) Inventor: **Aojie Xu**, Jiaxing (CN)

(\*\*) Term: **15 Years**

(21) Appl. No.: **29/859,009**

(22) Filed: **Nov. 7, 2022**

(51) **LOC (14) Cl.** ..... **06-01**

(52) **U.S. Cl.**  
USPC ..... **D6/716.1**; D6/334; D6/349

(58) **Field of Classification Search**  
USPC ..... D6/334, 349, 335, 336, 657, 675, 367,  
D6/691.4, 350, 352, 355, 356, 664, 691,  
D6/353, 364, 368, 686, 712, 716, 719,  
D6/348, 360, 366, 369, 374, 375, 716.1  
CPC ..... A47C 16/02; A47C 12/00; A47B 7/00;  
A47B 7/02

See application file for complete search history.

(56) **References Cited**

**U.S. PATENT DOCUMENTS**

D124,032 S *	12/1940	Houghton	.....	D6/369
D173,389 S *	11/1954	Sherman	.....	D6/334
3,281,185 A *	10/1966	Albinson	.....	A47C 5/12 297/445.1
D225,843 S *	1/1973	Bubk	.....	D6/375
D431,914 S *	10/2000	Lewis	.....	D6/334
D569,113 S *	5/2008	Lewis	.....	D6/334
D638,633 S	5/2011	Du	.....	
D672,579 S	12/2012	Vass	.....	
D723,811 S *	3/2015	Weyts	.....	D6/334
D781,606 S	3/2017	Ngo	.....	
D795,621 S *	8/2017	Ono	.....	D6/366
D799,229 S	10/2017	Pan	.....	
D807,091 S *	1/2018	Morrison	.....	D6/375
D838,505 S	1/2019	Ngo	.....	
D846,930 S	4/2019	Patton	.....	
D848,165 S	5/2019	Saito	.....	

D895,991 S *	9/2020	Dardashti	.....	D6/360
D905,985 S *	12/2020	Li	.....	D6/360
D910,324 S	2/2021	Tao	.....	
D923,380 S *	6/2021	Welling	.....	D6/375
D931,644 S *	9/2021	Li	.....	D6/375
D931,669 S *	9/2021	Li	.....	D6/366
D932,790 S	10/2021	Lu	.....	
D938,182 S	12/2021	Li	.....	
D965,319 S *	10/2022	Wu	.....	D6/360

**OTHER PUBLICATIONS**

MBTC Delton Cafeteria Bar Stool Chair, available in Amazon.in, date first available Apr. 28, 2018 [online], Retrieved on Dec. 15, 2022 from URL: [https://www.amazon.in/dp/B07SJ7G9FK/ref=sbl\\_dp\\_x\\_in-furniture-bar-stools\\_B07CR23J7V\\_0?th=1](https://www.amazon.in/dp/B07SJ7G9FK/ref=sbl_dp_x_in-furniture-bar-stools_B07CR23J7V_0?th=1) (Year: 2018).\*

\* cited by examiner

*Primary Examiner* — Vy N Koenig

*Assistant Examiner* — Michelle M Reeves

(74) *Attorney, Agent, or Firm* — Rumit Ranjit Kanakia

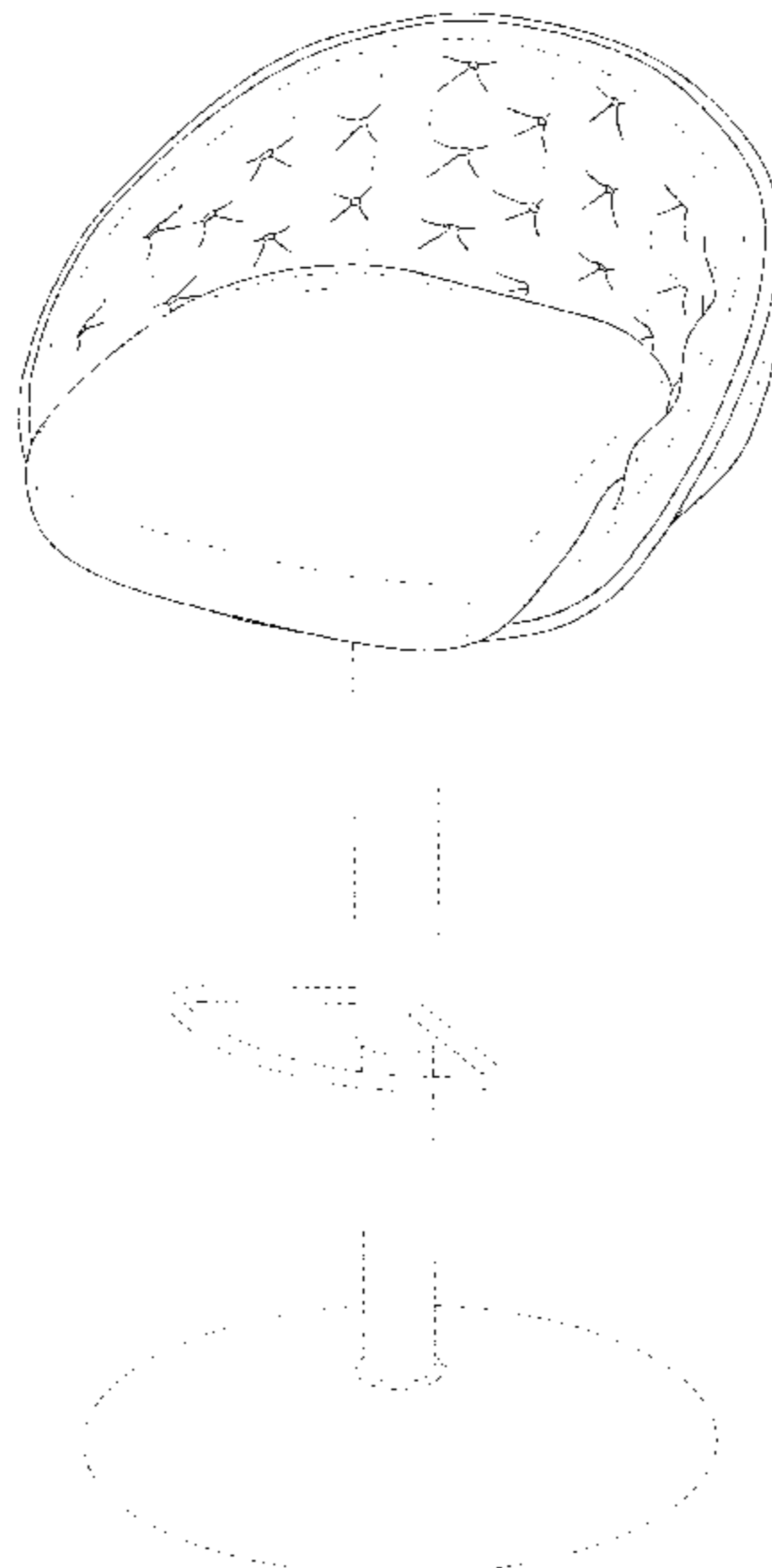
(57) **CLAIM**

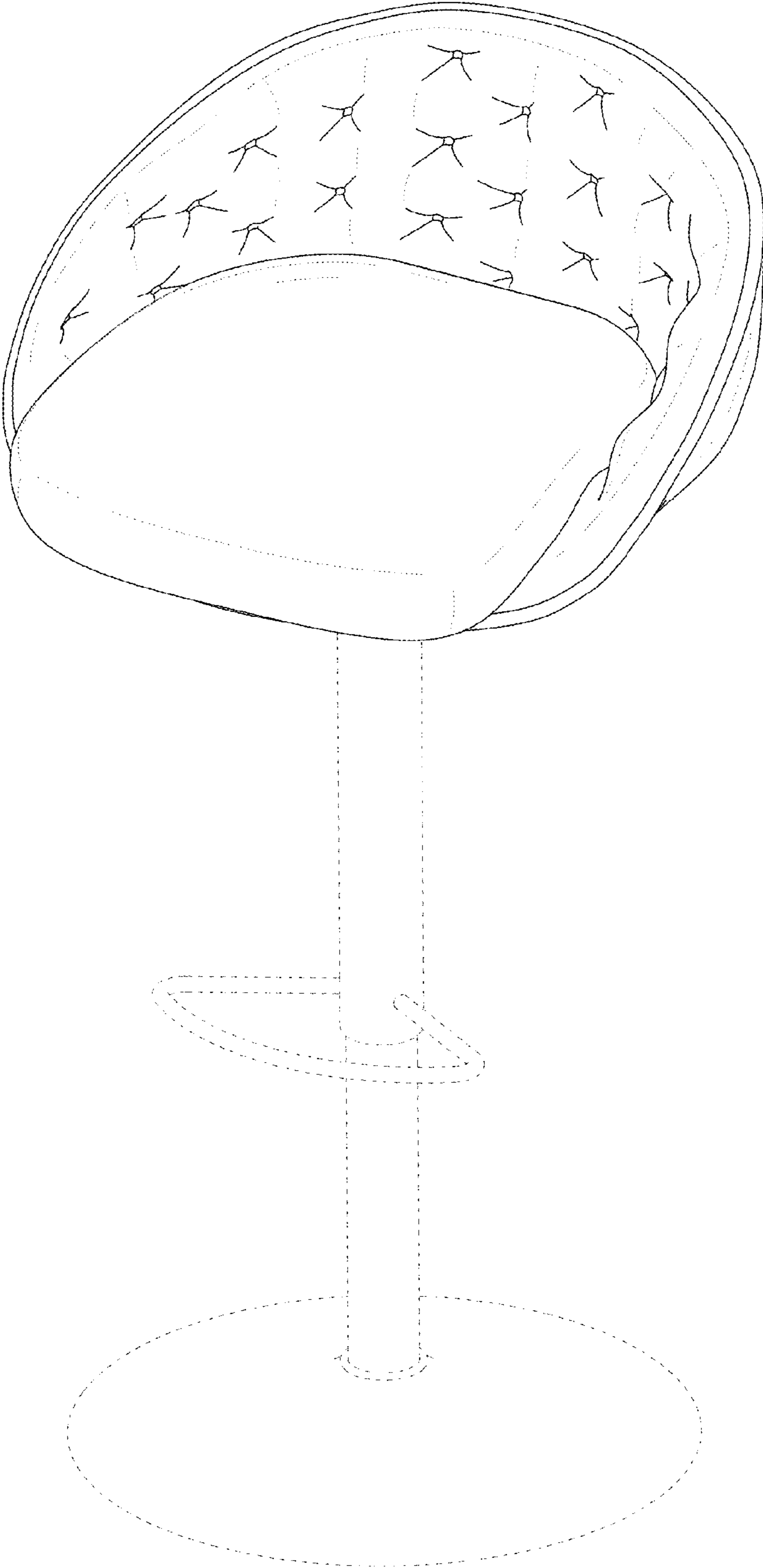
The ornamental design for a bar chair, as shown and described.

**DESCRIPTION**

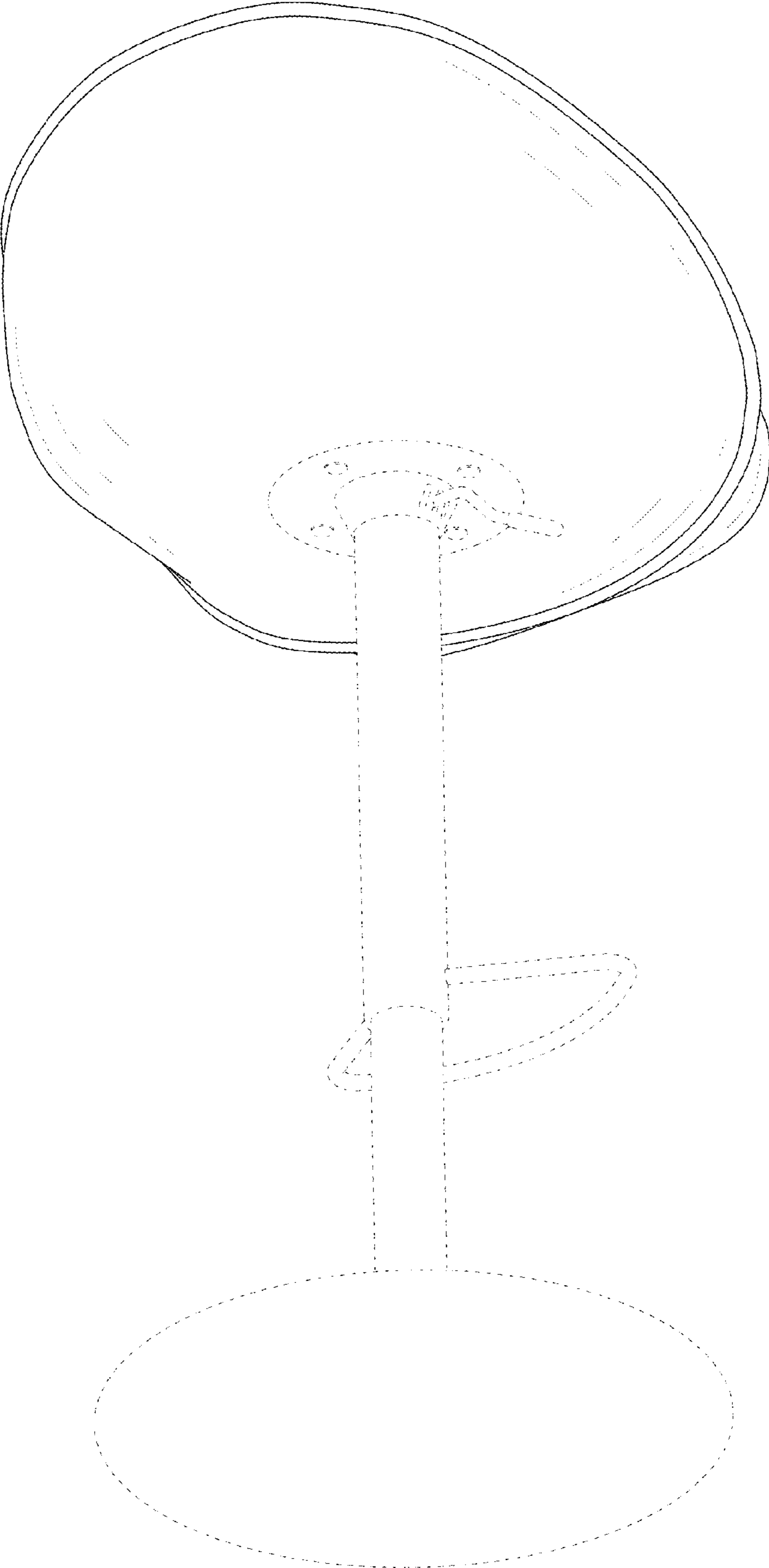
FIG. 1 is a front perspective view of a bar chair, showing my new design;  
FIG. 2 is rear perspective view thereof;  
FIG. 3 is a front elevational view thereof;  
FIG. 4 is a rear elevational view thereof;  
FIG. 5 is a left side view thereof;  
FIG. 6 is a right side view thereof;  
FIG. 7 is a top plan view thereof; and,  
FIG. 8 is a bottom plan view thereof.  
The broken lines in the figures are for the purposes of illustrating portions of the bar chair, which form no part of the claimed design.

**1 Claim, 8 Drawing Sheets**

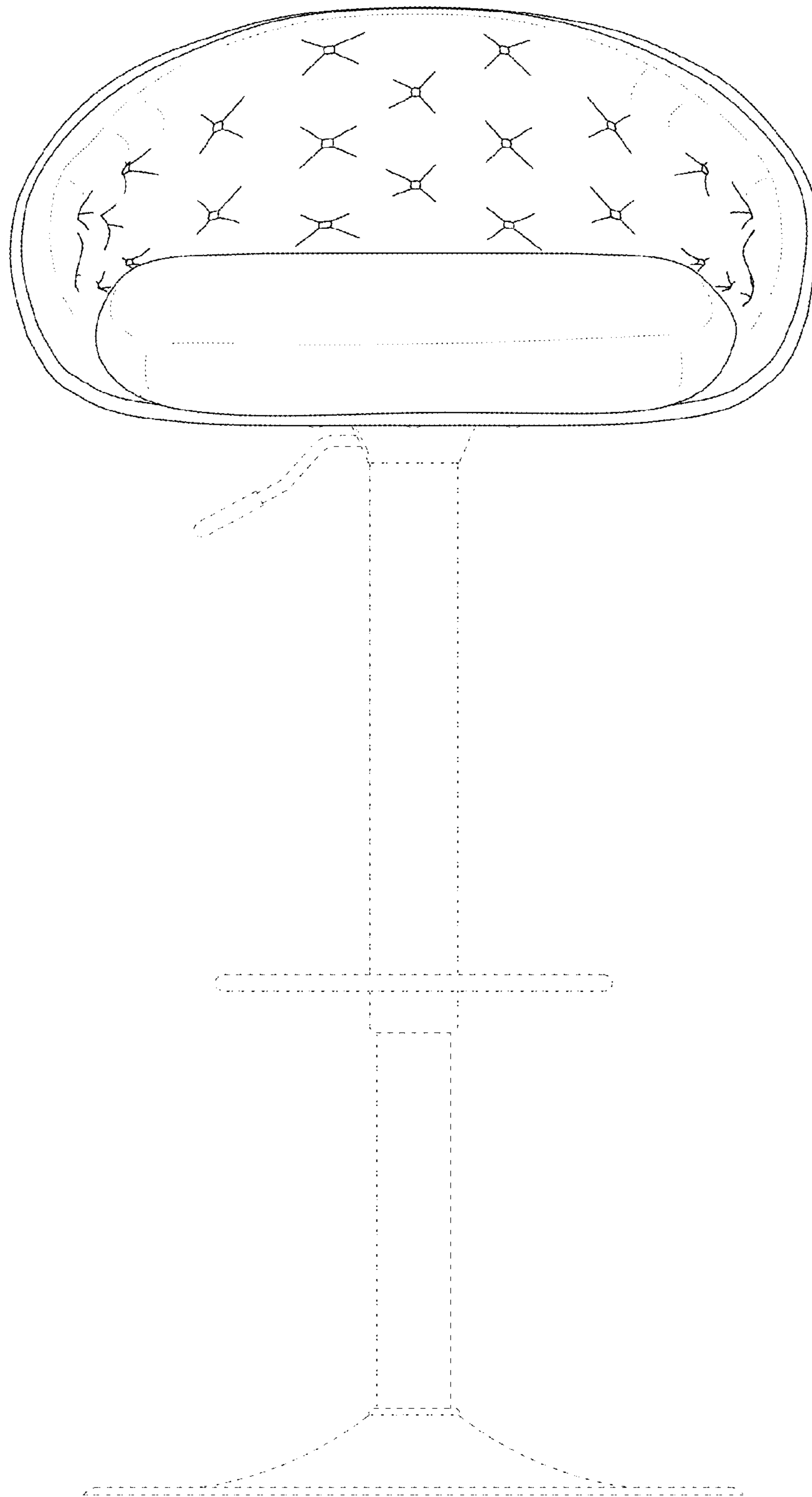




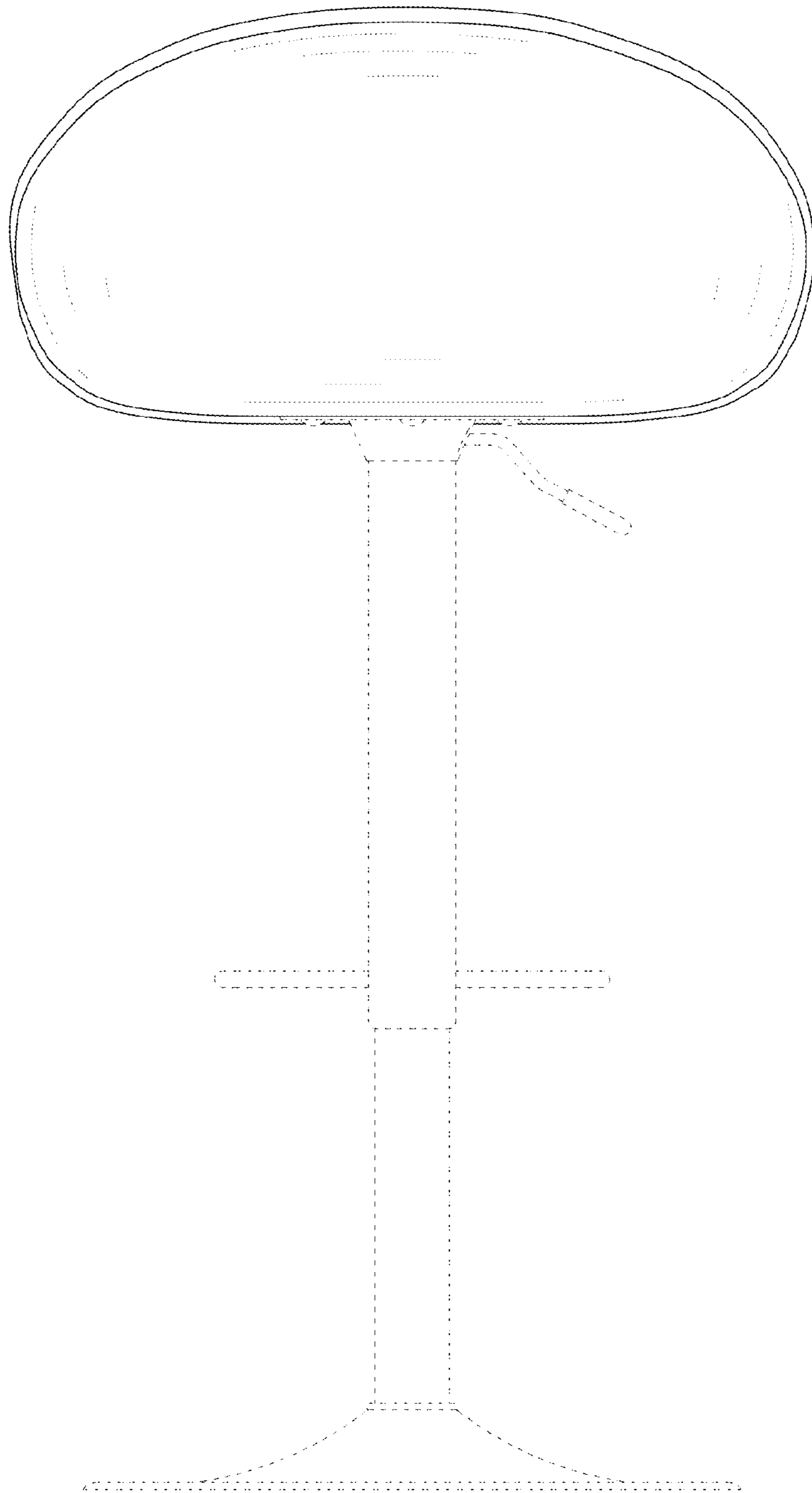
**FIG. 1**



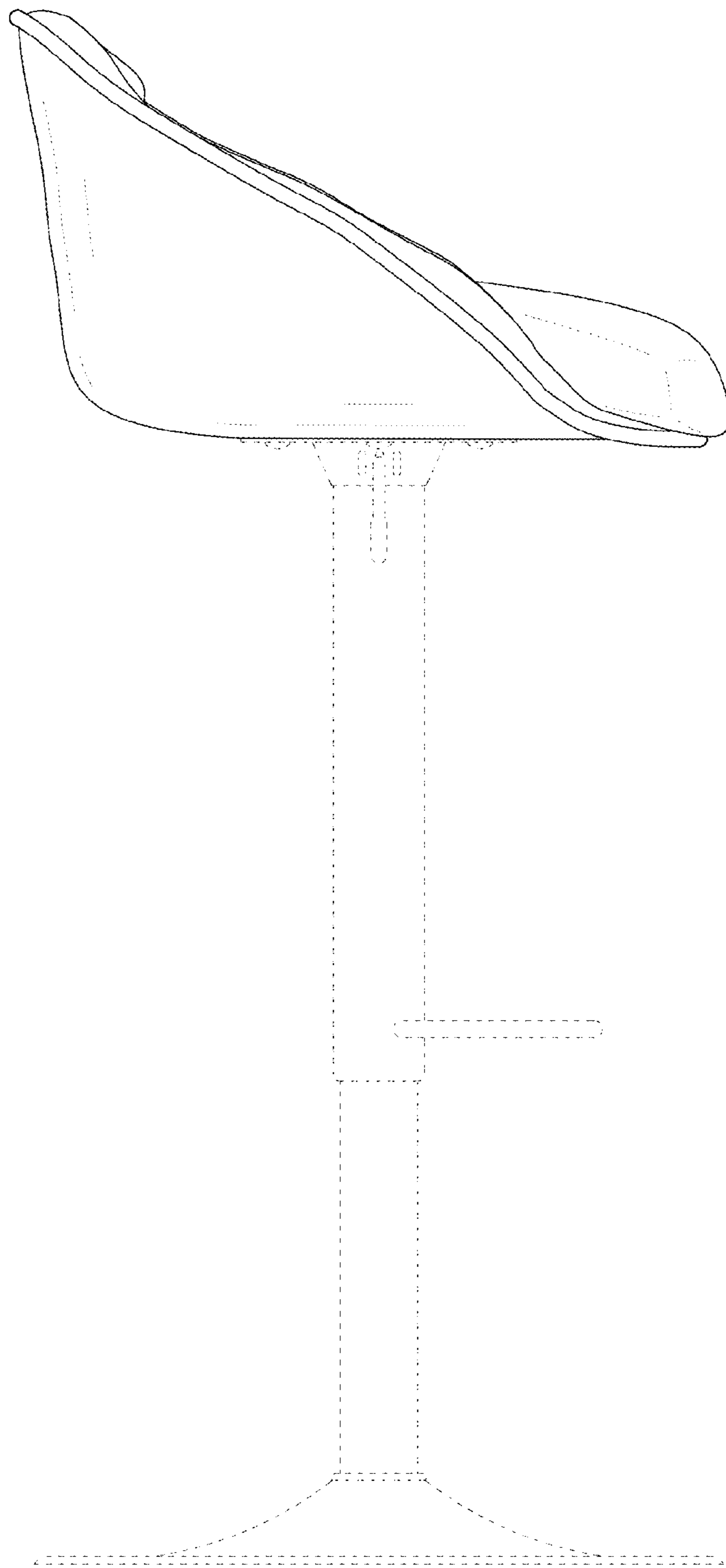
**FIG. 2**



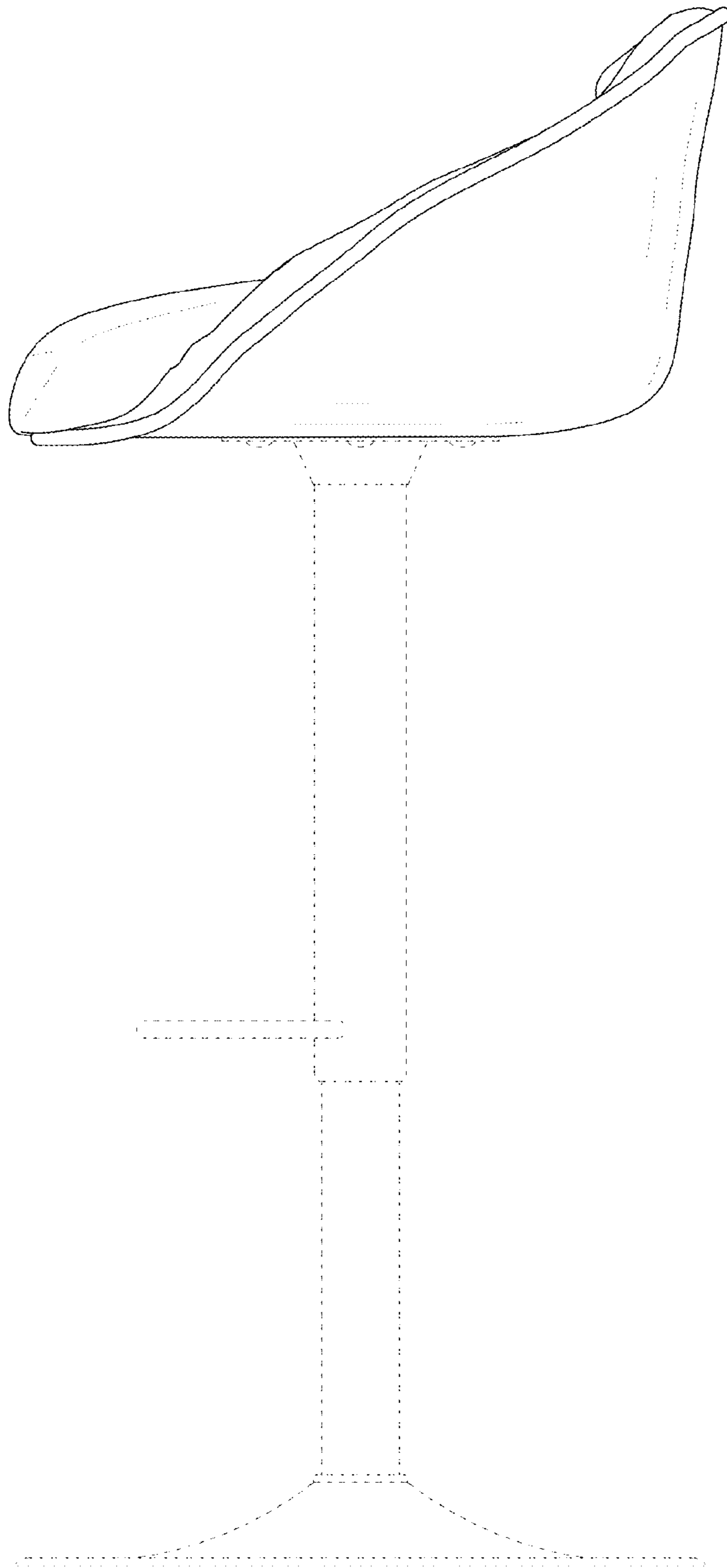
**FIG. 3**



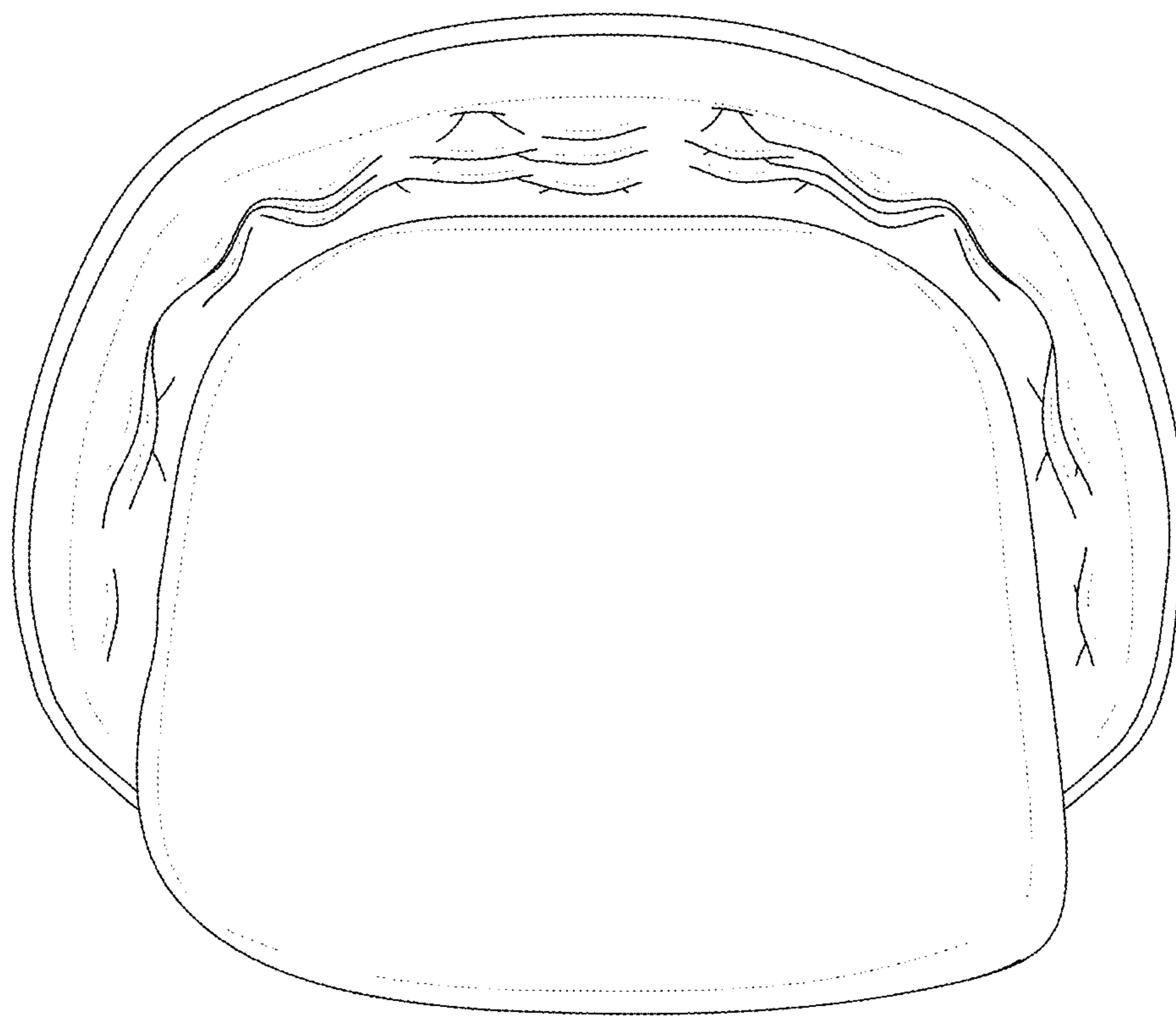
**FIG. 4**



**FIG. 5**

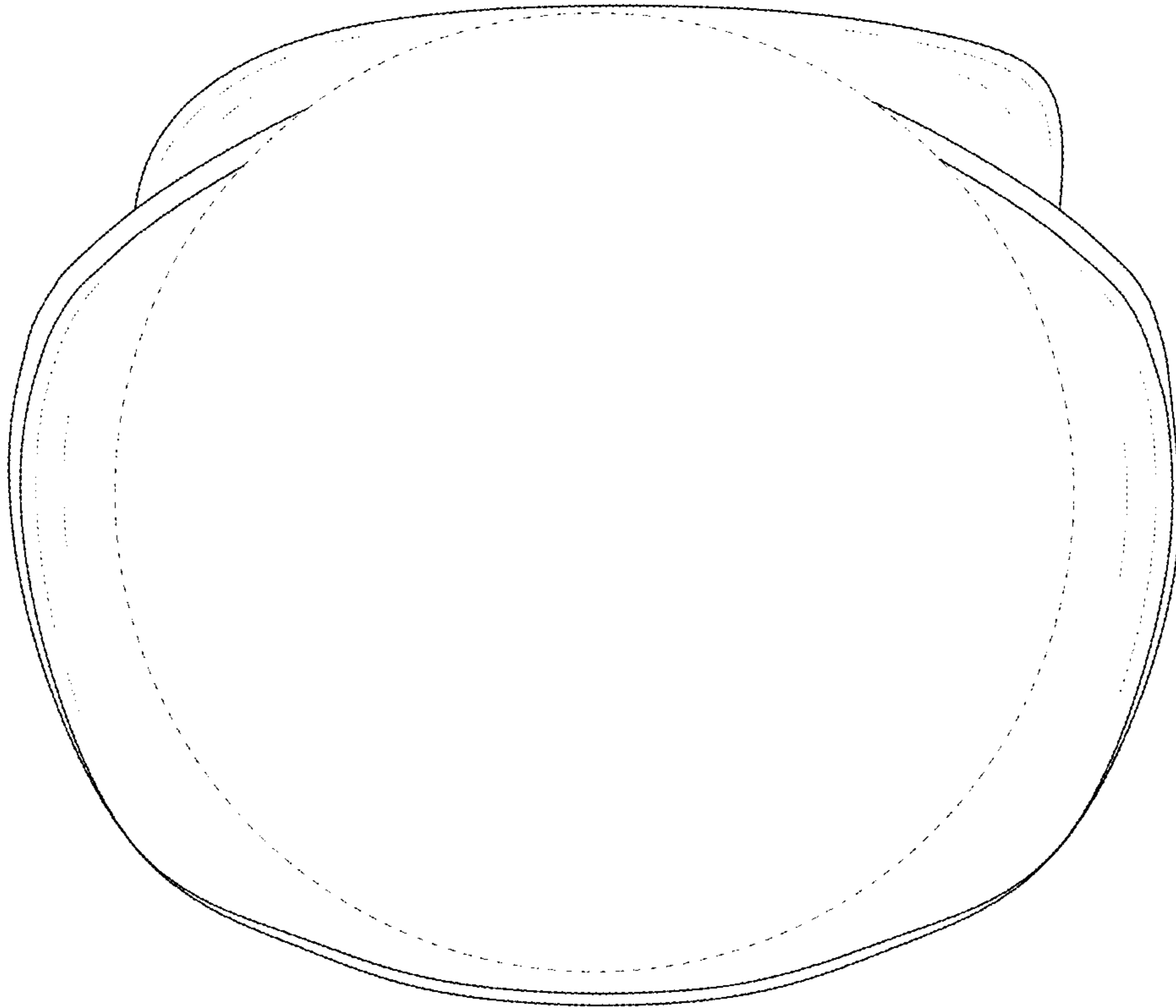


**FIG. 6**



***FIG. 7***





***FIG. 8***