



US00D983573S

(12) **United States Design Patent**  
**Tingler**

(10) **Patent No.:** **US D983,573 S**  
(45) **Date of Patent:** **\*\* Apr. 18, 2023**

- (54) **TABLE**
- (71) Applicant: **VISIONAT INTERNATIONAL LIMITED**, Wanchai (HK)
- (72) Inventor: **Chris Tingler**, Houston, TX (US)
- (73) Assignee: **VISIONAT INTERNATIONAL LIMITED**, Wanchai (HK)
- (\*\*) Term: **15 Years**
- (21) Appl. No.: **29/758,133**
- (22) Filed: **Nov. 12, 2020**
- (51) **LOC (14) Cl.** ..... **06-03**
- (52) **U.S. Cl.**  
USPC ..... **D6/648**
- (58) **Field of Classification Search**  
USPC ..... D6/641, 642, 648, 648.1, 648.2, 655, D6/655.1, 655.11, 655.12, 655.15, D6/655.17-655.19  
CPC ..... A47B 7/00; A47B 11/00; A47B 13/00; A47B 13/02; A47B 13/04; A47B 13/06; A47B 13/10; A47B 13/12; A47B 17/00; A47B 21/00; A47B 21/0314; A47B 2021/0364; A47B 2200/0001; A47B 2200/0011; A47B 2200/002  
See application file for complete search history.

5,632,540 A \* 5/1997 Wilcox ..... A47B 17/065  
312/317.3  
D882,300 S \* 4/2020 Li ..... D6/648.4  
D910,341 S \* 2/2021 Ye ..... D6/648  
D917,934 S \* 5/2021 Chu ..... D6/648  
D918,518 S \* 5/2021 Li ..... D34/12  
(Continued)

**OTHER PUBLICATIONS**

Tribesigns Modern L-Shaped Desk with Storage Shelves—Amazon, first available May 15, 2020 <https://www.amazon.com/Tribesigns-L-Shaped-360%C2%B0Rotating-Computer-Workstation/dp/B088NSTMSG> retrieved from the internet on Oct. 31, 2022.\*  
(Continued)

*Primary Examiner* — Mary Ann Calabrese  
(74) *Attorney, Agent, or Firm* — Troutman Pepper Hamilton Sanders LLP

(57) **CLAIM**

I claim the ornamental design for a table, as shown and described.

**DESCRIPTION**

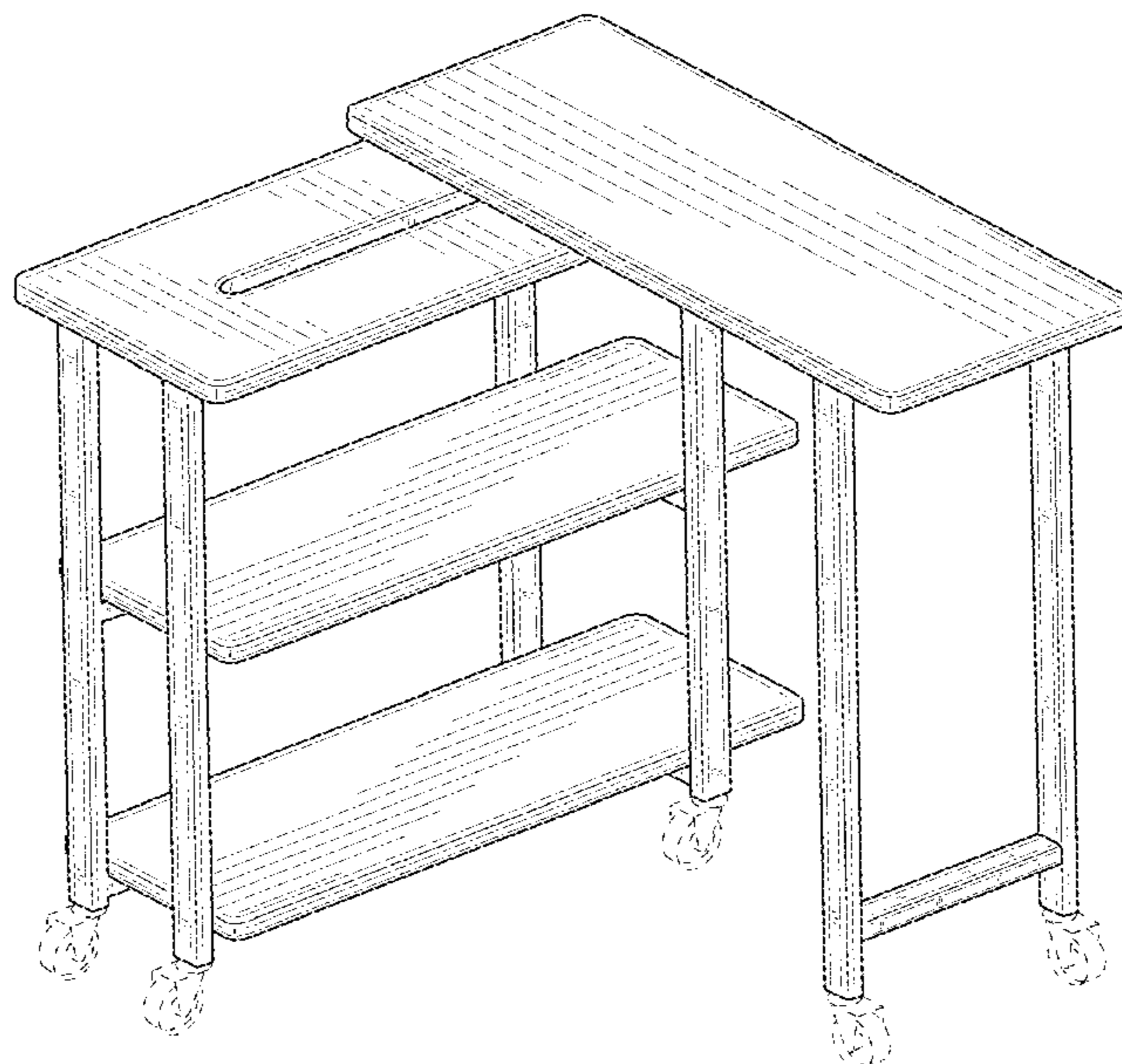
FIG. 1 is a top, front perspective view of a table;  
FIG. 2 is a bottom, rear perspective view of the design shown in FIG. 1;  
FIG. 3 is a front plan view of the design shown in FIG. 1;  
FIG. 4 is a rear plan view of the design shown in FIG. 1;  
FIG. 5 is a left side plan view of the design shown in FIG. 1;  
FIG. 6 is a right side plan view of the design shown in FIG. 1;  
FIG. 7 is a top plan view of the design shown in FIG. 1; and,  
FIG. 8 is a bottom plan view of the design shown in FIG. 1.  
The broken lines illustrate portions of the table that form no part of the claimed design.

**1 Claim, 8 Drawing Sheets**

(56) **References Cited**

**U.S. PATENT DOCUMENTS**

- 2,293,496 A \* 8/1942 Egger ..... A47B 1/00  
312/289
- D169,375 S \* 4/1953 Knoll ..... A47B 1/00  
D6/648
- 2,988,413 A \* 6/1961 Bergen ..... A47B 11/00  
312/282
- D362,136 S \* 9/1995 Chang ..... A47B 17/065  
D6/648.2



(56)

**References Cited**

U.S. PATENT DOCUMENTS

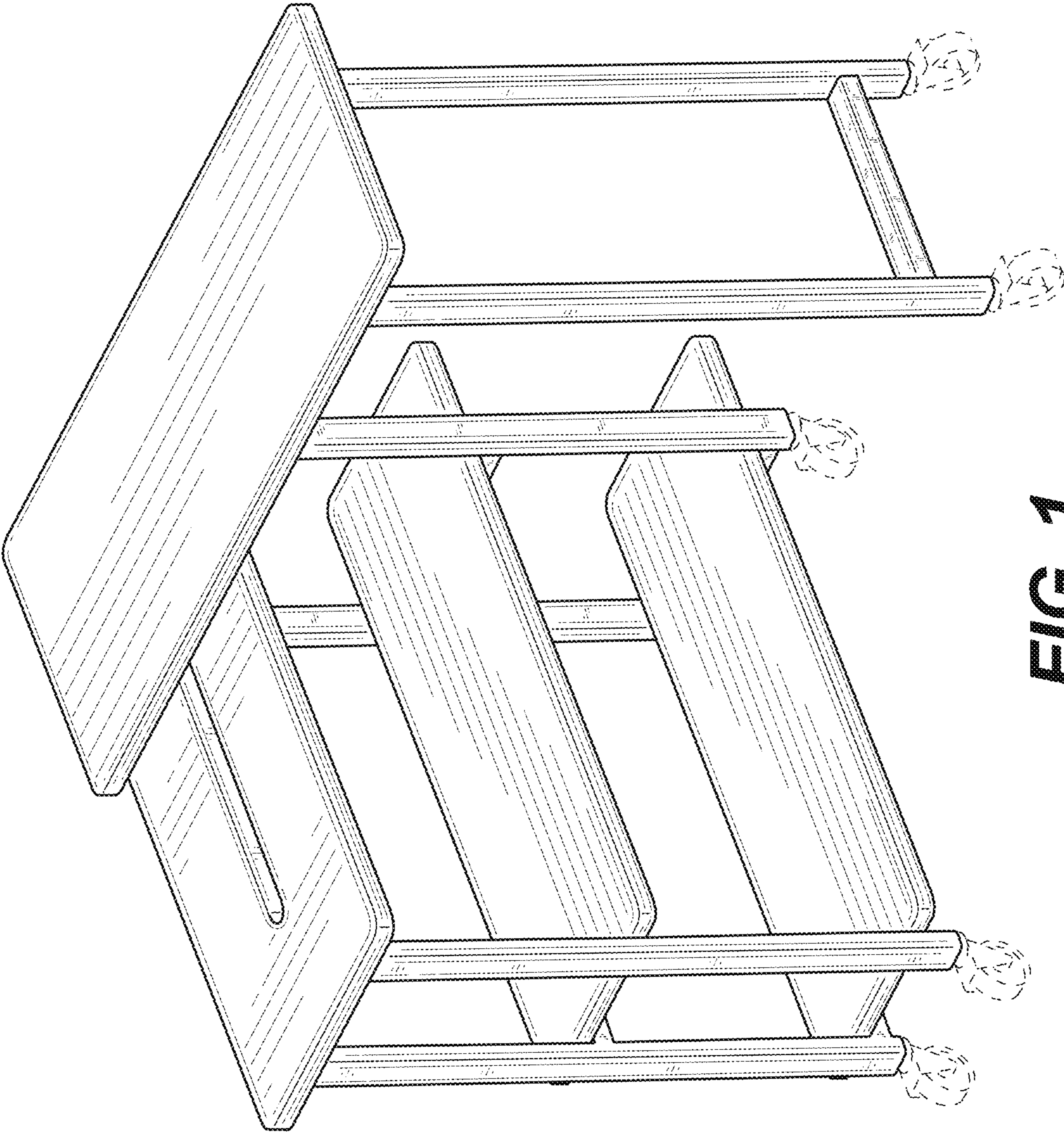
D936,394 S \* 11/2021 Liu ..... D6/655.1

OTHER PUBLICATIONS

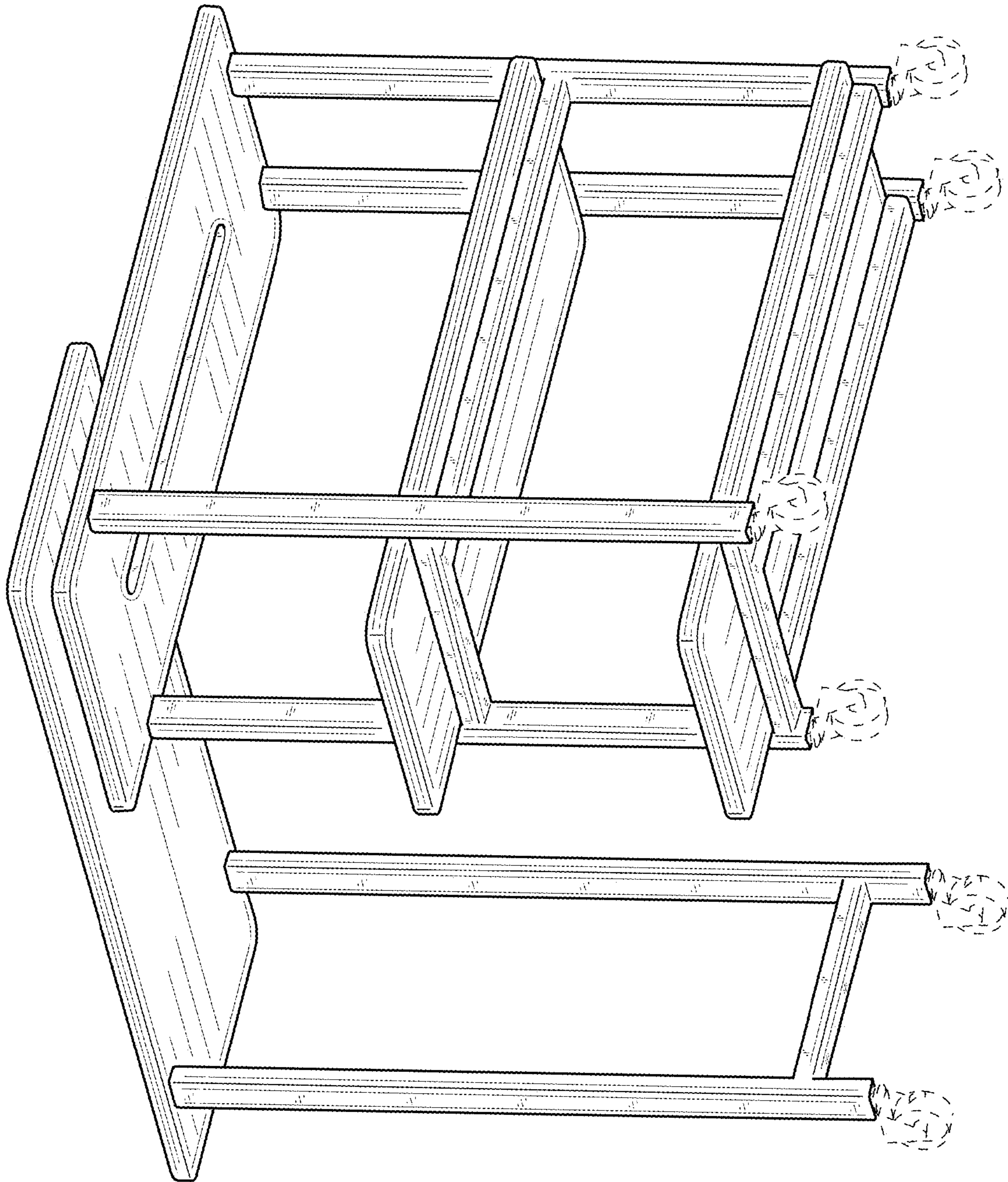
Armocity 360° Rotating L Shaped Desk—Amazon, first available Oct. 8, 2021 <https://www.amazon.com/Armocity-Rotating-Reversible-Adjustable-Workstation/dp/B09HGRZLL3?th=1> retrieved from the internet on Oct. 31, 2022.\*

Homcom Mobile L-Shaped Rotating Computer Desk with Storage Shelves—Amazon, first available Jan. 14, 2020 <https://www.amazon.com/HOMCOM-L-Shaped-Computer-Corner-Rotating/dp/B089CPTQLR/> retrieved from the internet on Oct. 31, 2022.\*

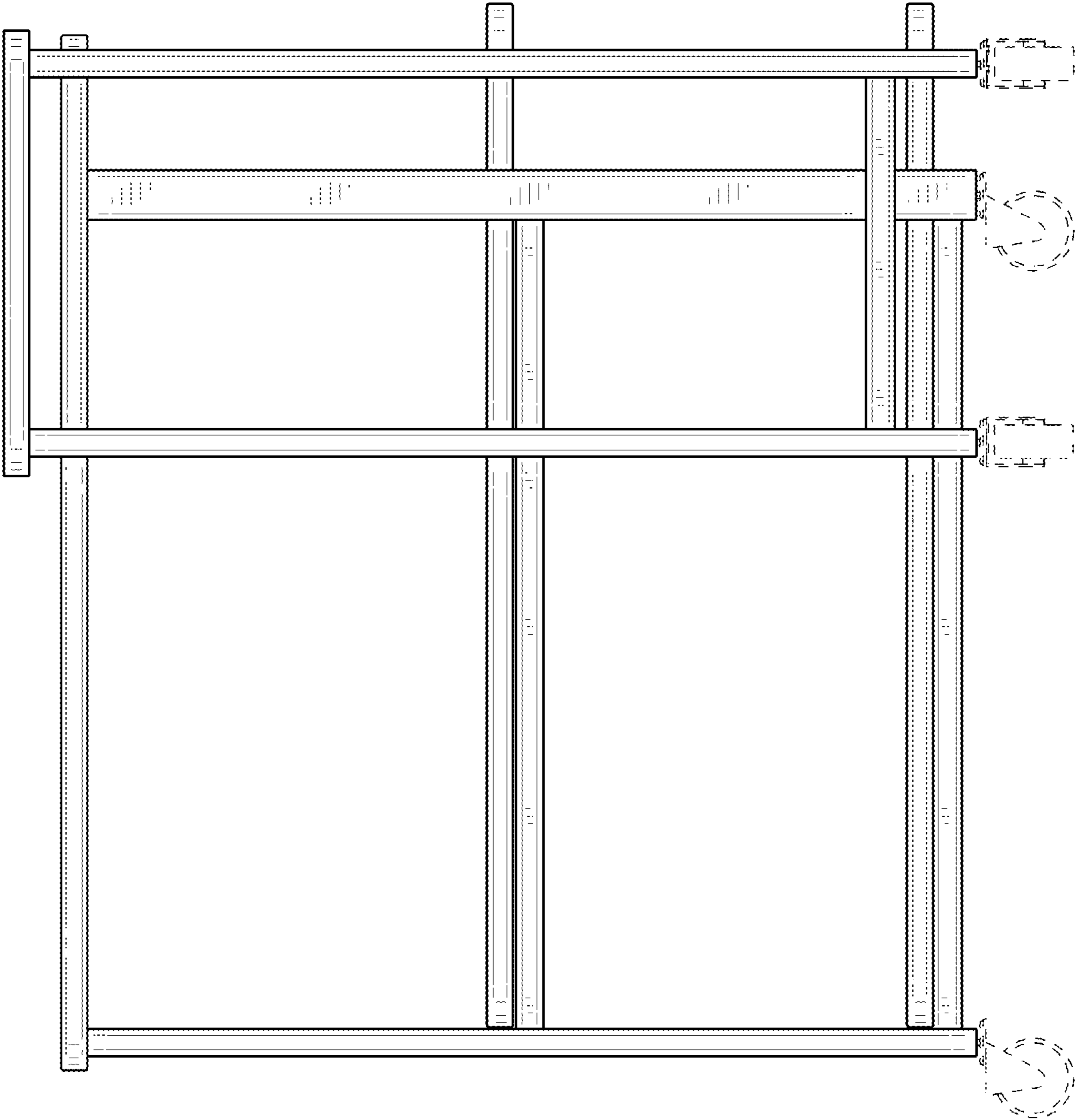
\* cited by examiner



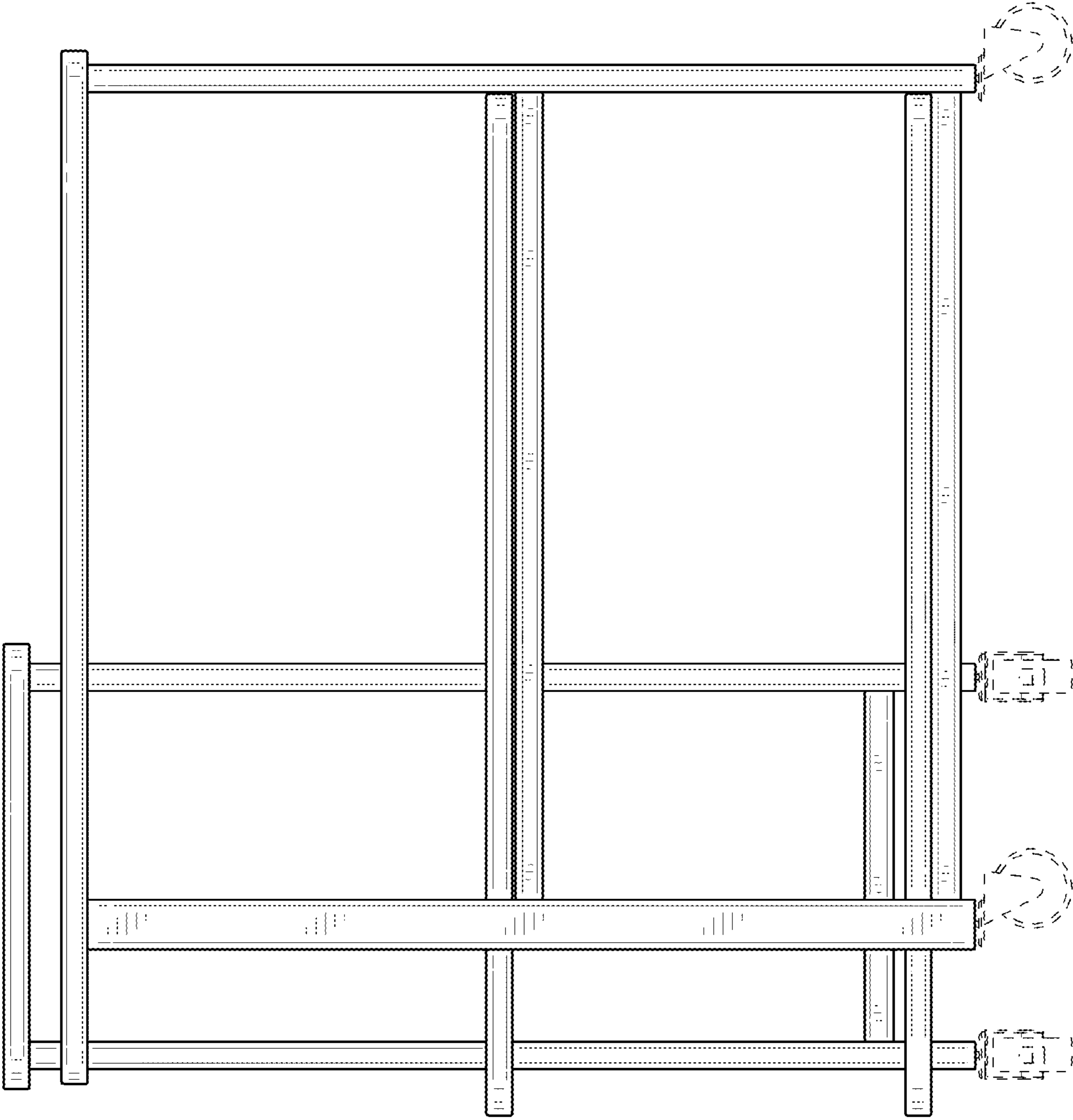
**FIG. 1**



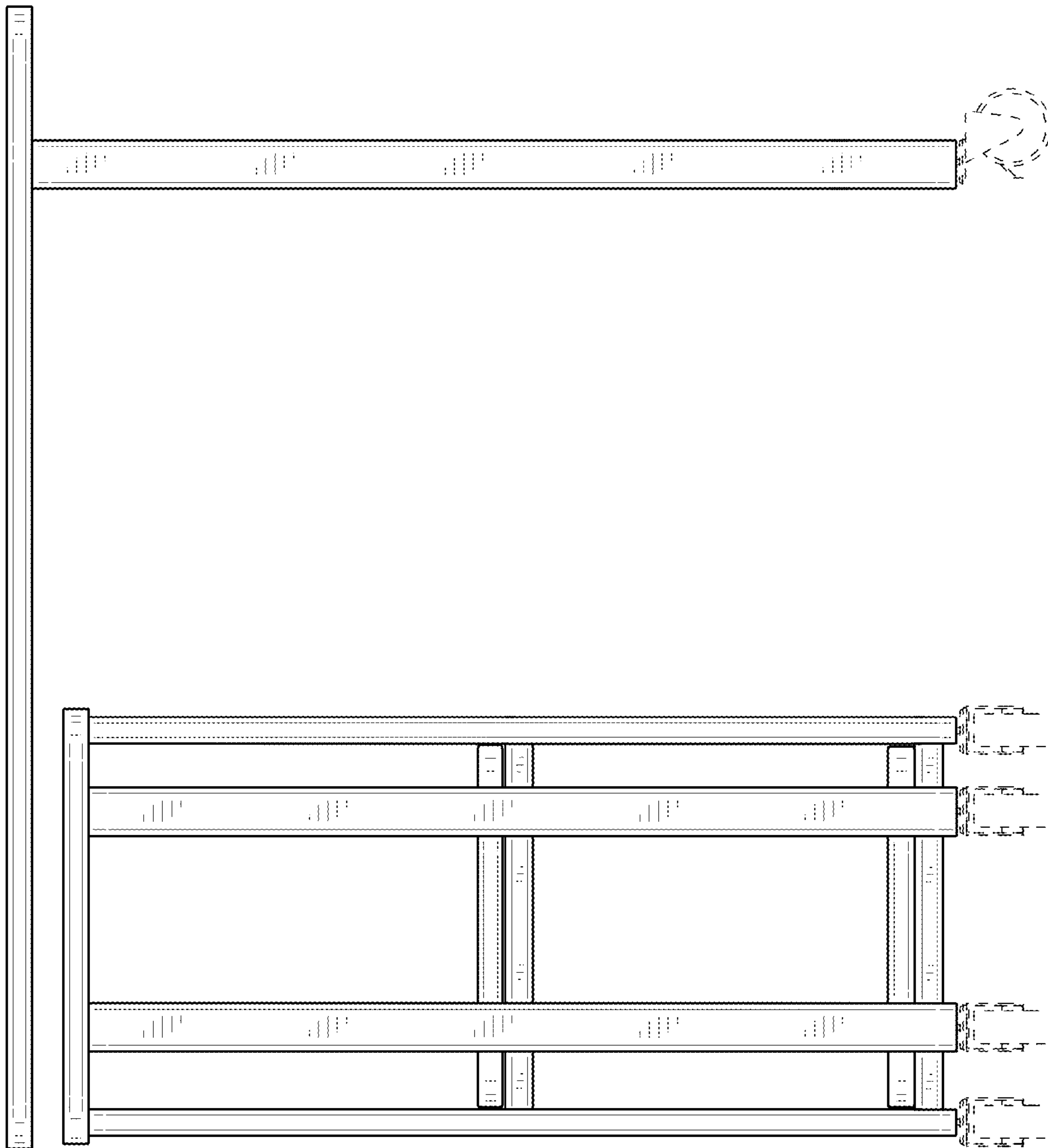
**FIG. 2**



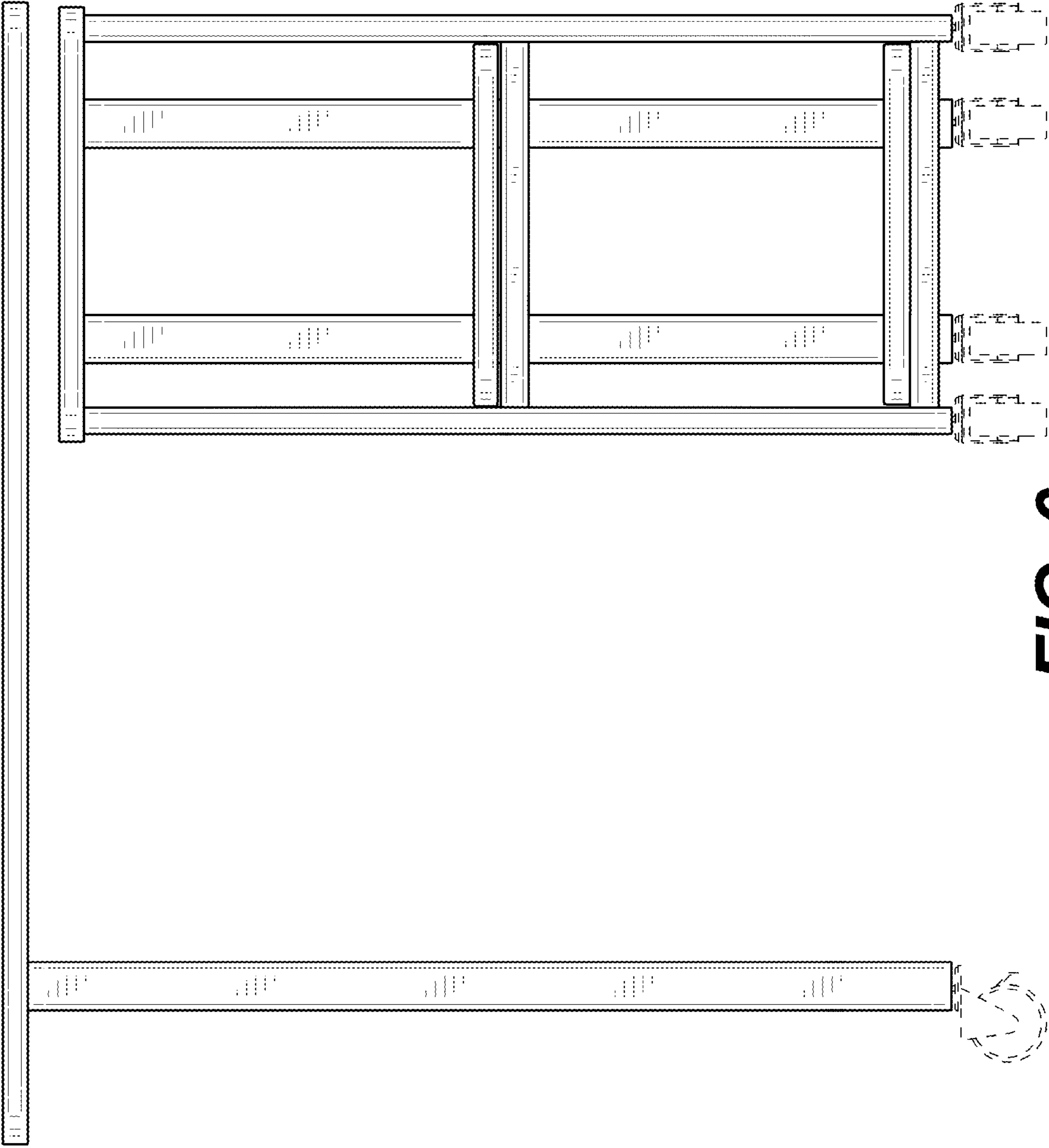
**FIG. 3**



**FIG. 4**

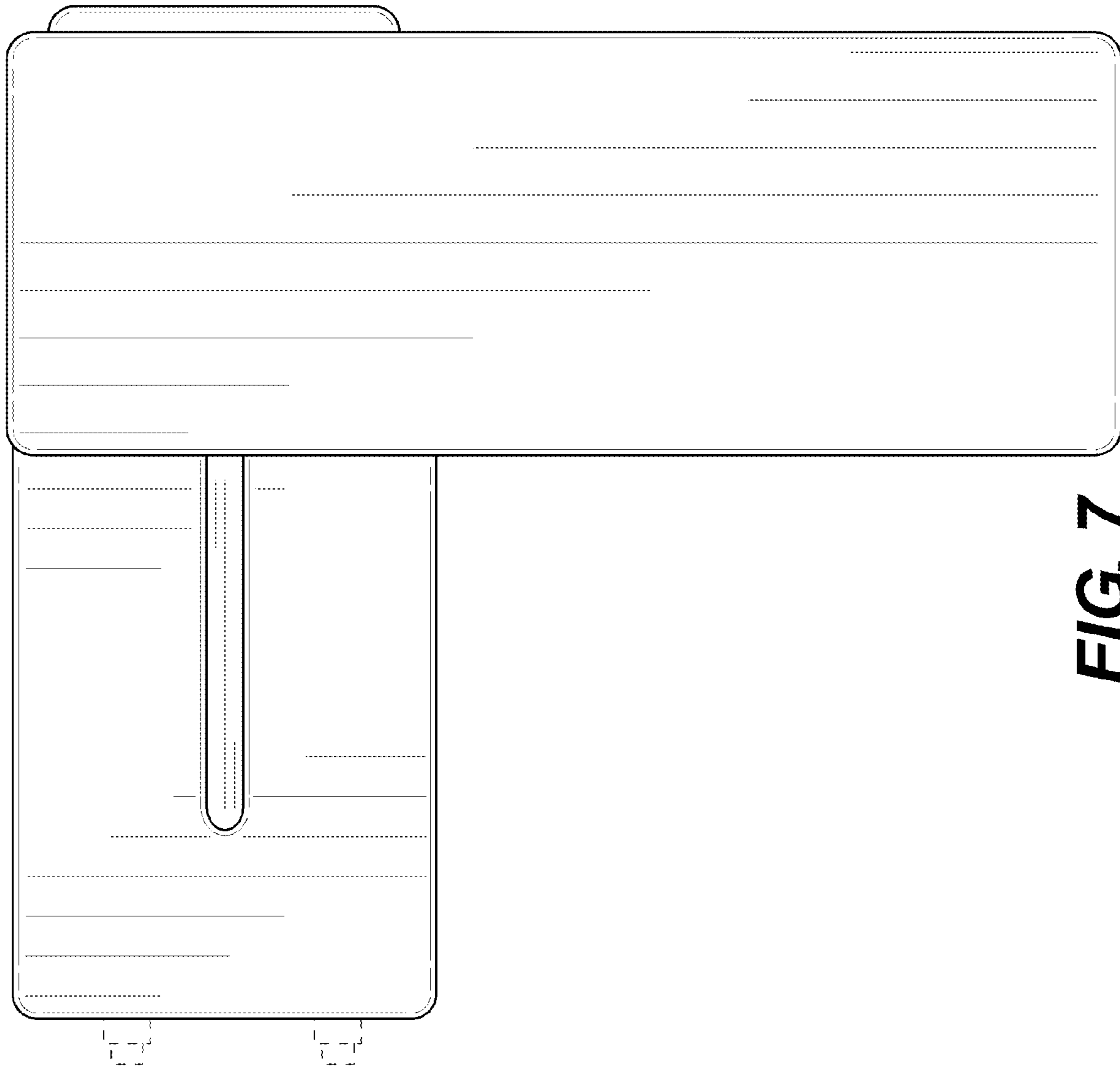


**FIG. 5**

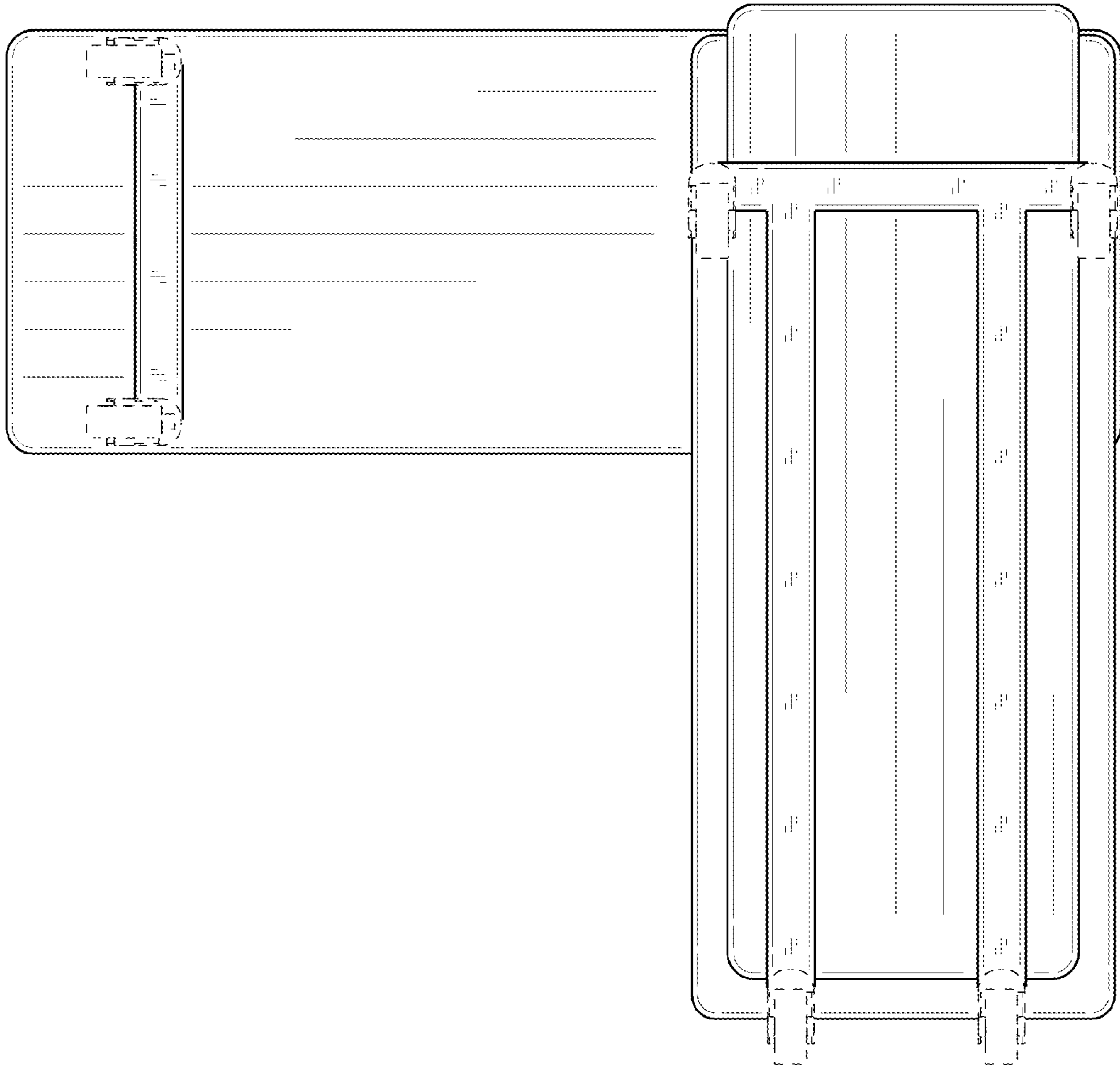


**FIG. 6**





**FIG. 7**



**FIG. 8**