



US00D983571S

(12) **United States Design Patent**
Lah

(10) **Patent No.:** **US D983,571 S**
(45) **Date of Patent:** **** Apr. 18, 2023**

(54) **FOLDABLE TABLE**

- (71) Applicant: **HELINOX, INC.**, Seoul (KR)
- (72) Inventor: **Young Whan Lah**, Seoul (KR)
- (73) Assignee: **HELINOX, INC.**, Seoul (KR)
- (**) Term: **15 Years**

(21) Appl. No.: **29/759,590**

(22) Filed: **Nov. 24, 2020**

(30) **Foreign Application Priority Data**

Sep. 15, 2020 (KR) 30-2020-0044167

(51) **LOC (14) Cl.** **06-01**

(52) **U.S. Cl.**
USPC **D6/642; D6/655**

(58) **Field of Classification Search**
USPC D6/641, 642, 652, 655, 655.1, 644.11,
D6/655.12, 655.14–655.19, 655.23, 656
CPC A47B 3/00; A47B 3/06; A47B 3/08; A47B
7/00; A47B 13/00; A47B 13/02; A47B
13/004; A47B 13/006; A47B 13/08; A47B
13/10; A47B 13/12; A47B 17/00; A47B
21/00; A47B 21/02; A47B 2200/0001;
A47B 2200/0011; A47B 2200/002; A47B
2200/0066

See application file for complete search history.

(56) **References Cited**

U.S. PATENT DOCUMENTS

- 1,429,969 A * 9/1922 Palmer A47B 3/08
108/115
- D234,559 S * 3/1975 Waizman, V D6/656.18
- 10,413,054 B2 * 9/2019 Jiang A47B 97/00
- 2002/0129746 A1 * 9/2002 Donnelly A47B 13/16
108/25

OTHER PUBLICATIONS

- JSB 39.37" Small Folding Computer Desk with Storage Bag and Hook—Amazon, first available Jun. 28, 2020 <https://www.amazon.com/JSB-Folding-Computer-Storage-Industrial/dp/B08BYCP6QF> retrieved from the internet on Oct. 18, 2022.*
- Portal Camping Table Foldable Portable with Adjustable Legs—Amazon, first available Apr. 24, 2019 <https://www.amazon.com/Outdoor-Portable-Adjustable-Aluminum-Layer%E2%8C%88Black%E2%8C%89/dp/B09KX9FRZ9/> retrieved from the internet on Oct. 18, 2022.*
- Helinox Outdoor Field Office Mobile Workstation—Amazon, first available Jun. 7, 2022 <https://www.amazon.com/Helinox-Outdoor-Office-Mobile-Workstation/dp/B09PL7FZBX> retrieved from the internet on Oct. 18, 2022.*

* cited by examiner

Primary Examiner — Mary Ann Calabrese

(74) *Attorney, Agent, or Firm* — Reising Ethington, P.C.

(57) **CLAIM**

The ornamental design for a foldable table, as shown and described.

DESCRIPTION

FIG. 1 is a perspective view of the foldable table; FIG. 2 is a front elevation view thereof; FIG. 3 is a rear elevation view thereof; FIG. 4 is a left side view thereof; FIG. 5 is a right side view thereof; FIG. 6 is a top plan view thereof; and, FIG. 7 is a bottom plan view thereof. The broken lines in the drawings illustrate portions of the foldable table that form no part of the claimed design.

1 Claim, 7 Drawing Sheets

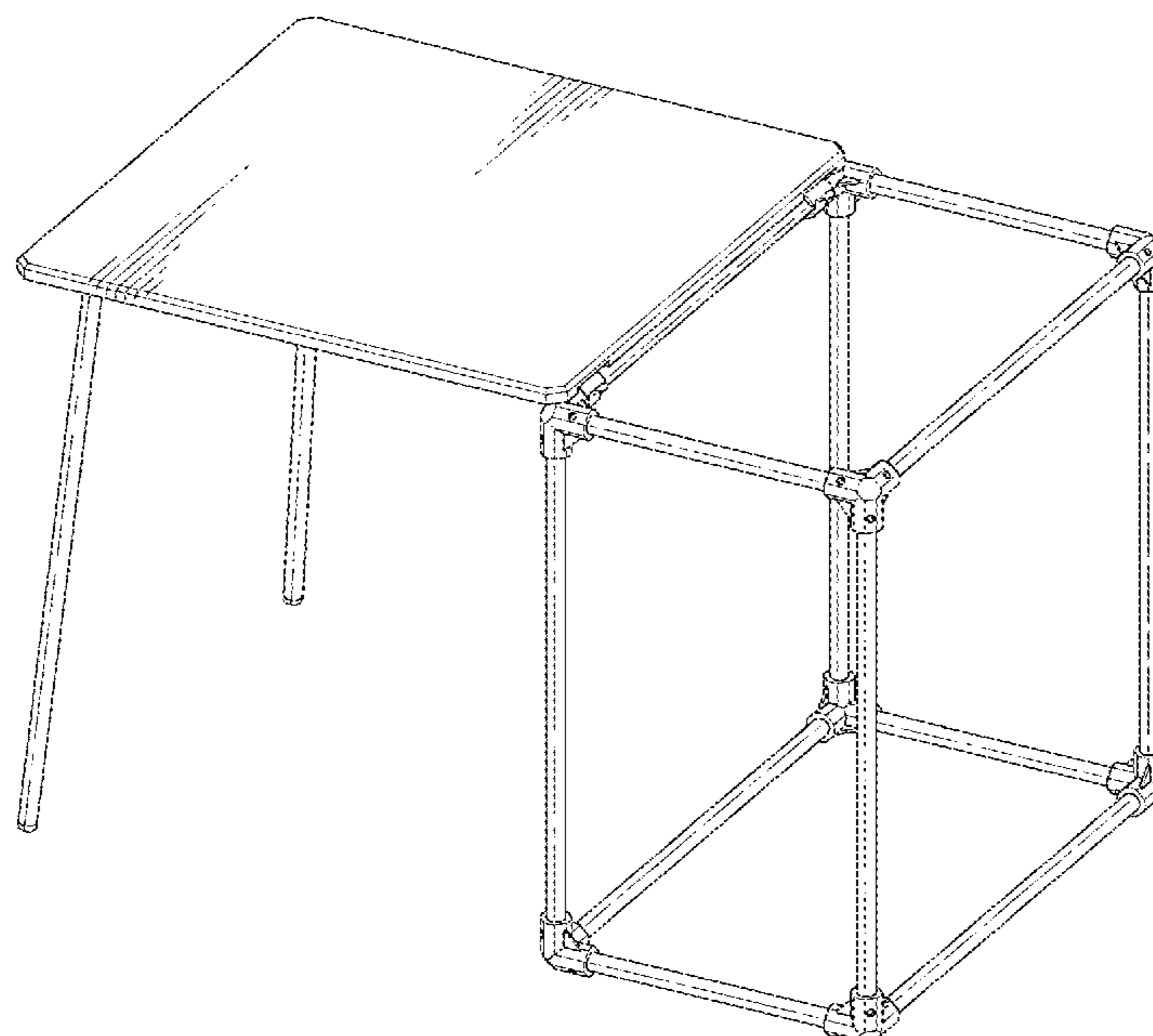


Fig. 1

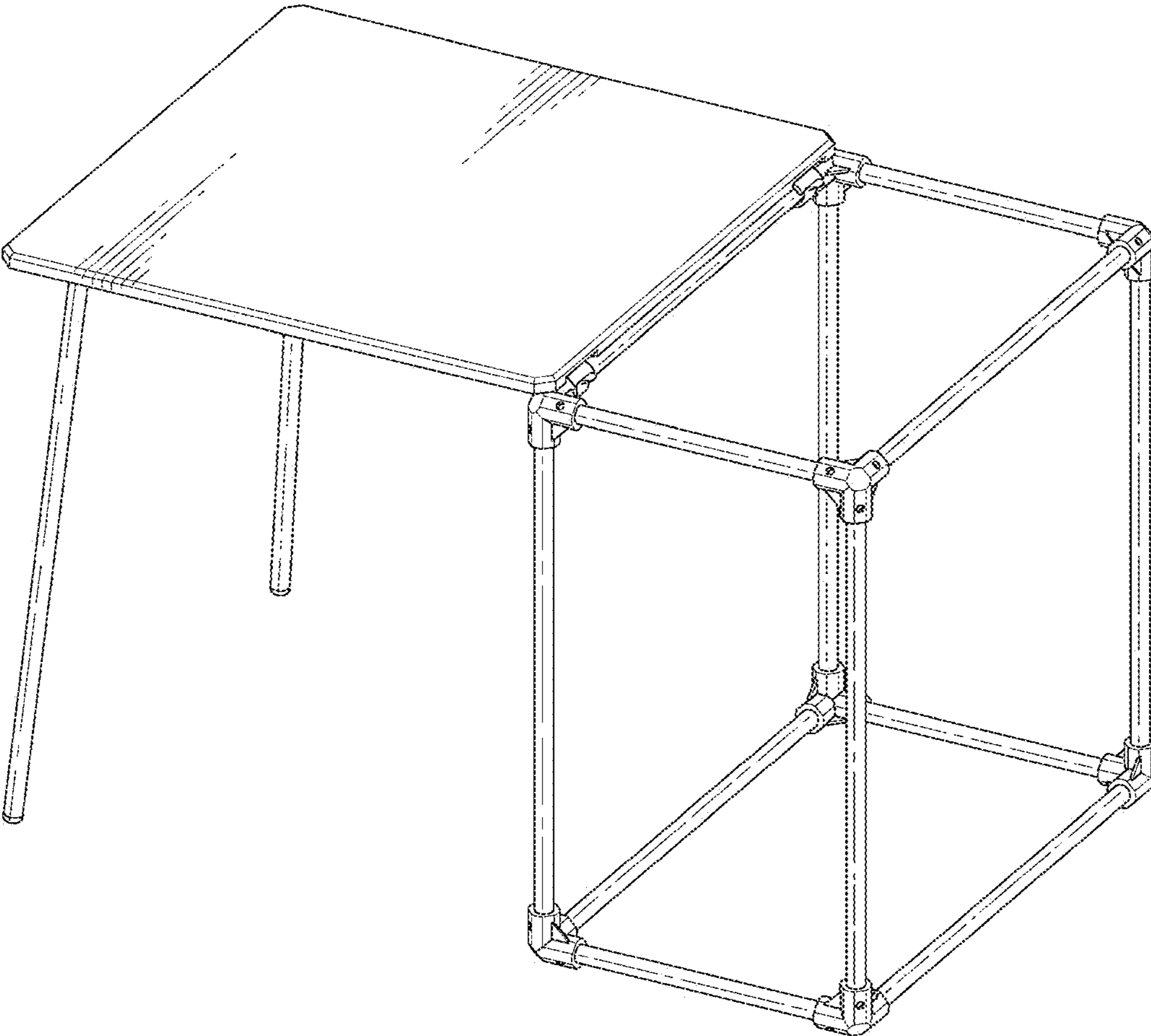


Fig. 2

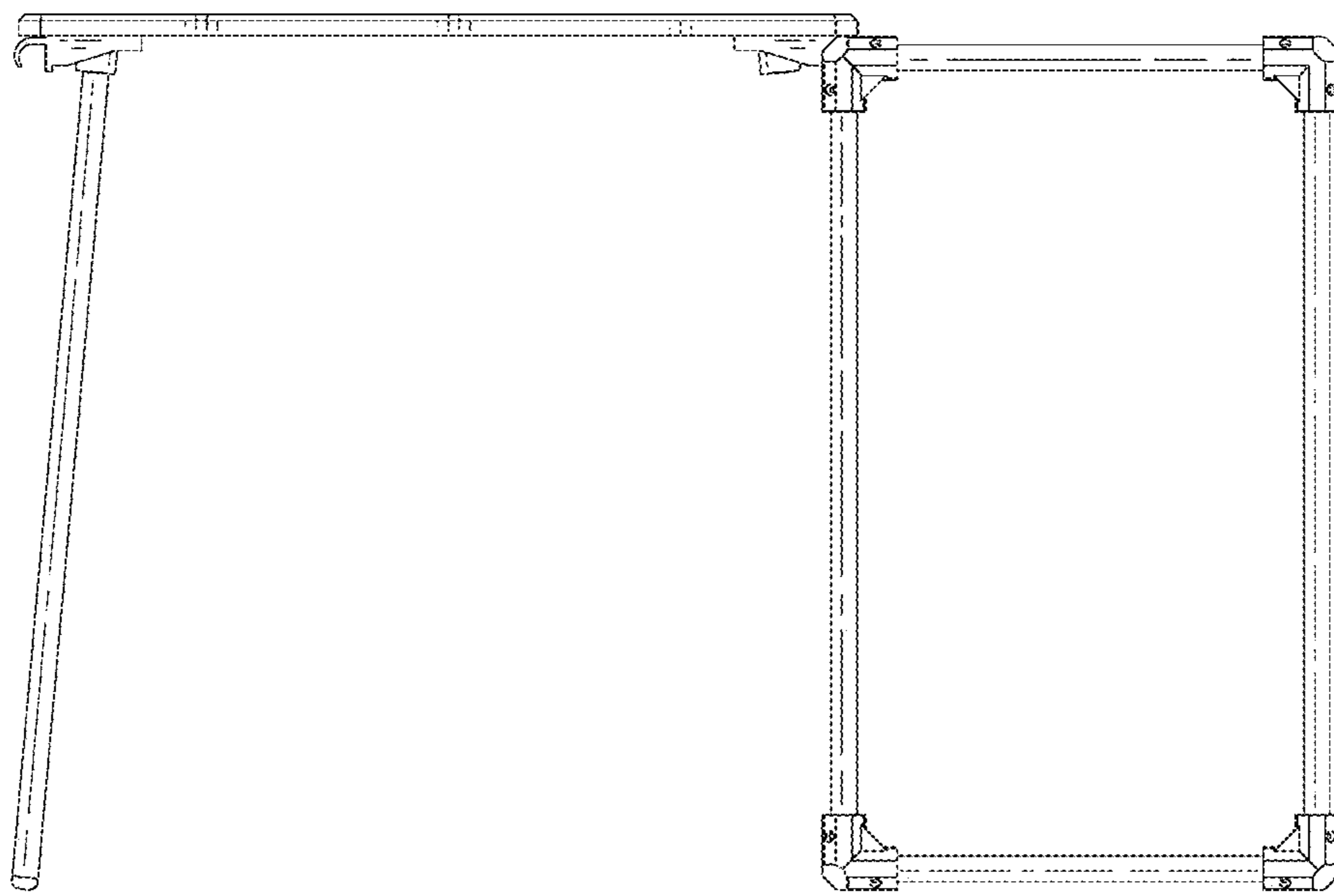


Fig. 3

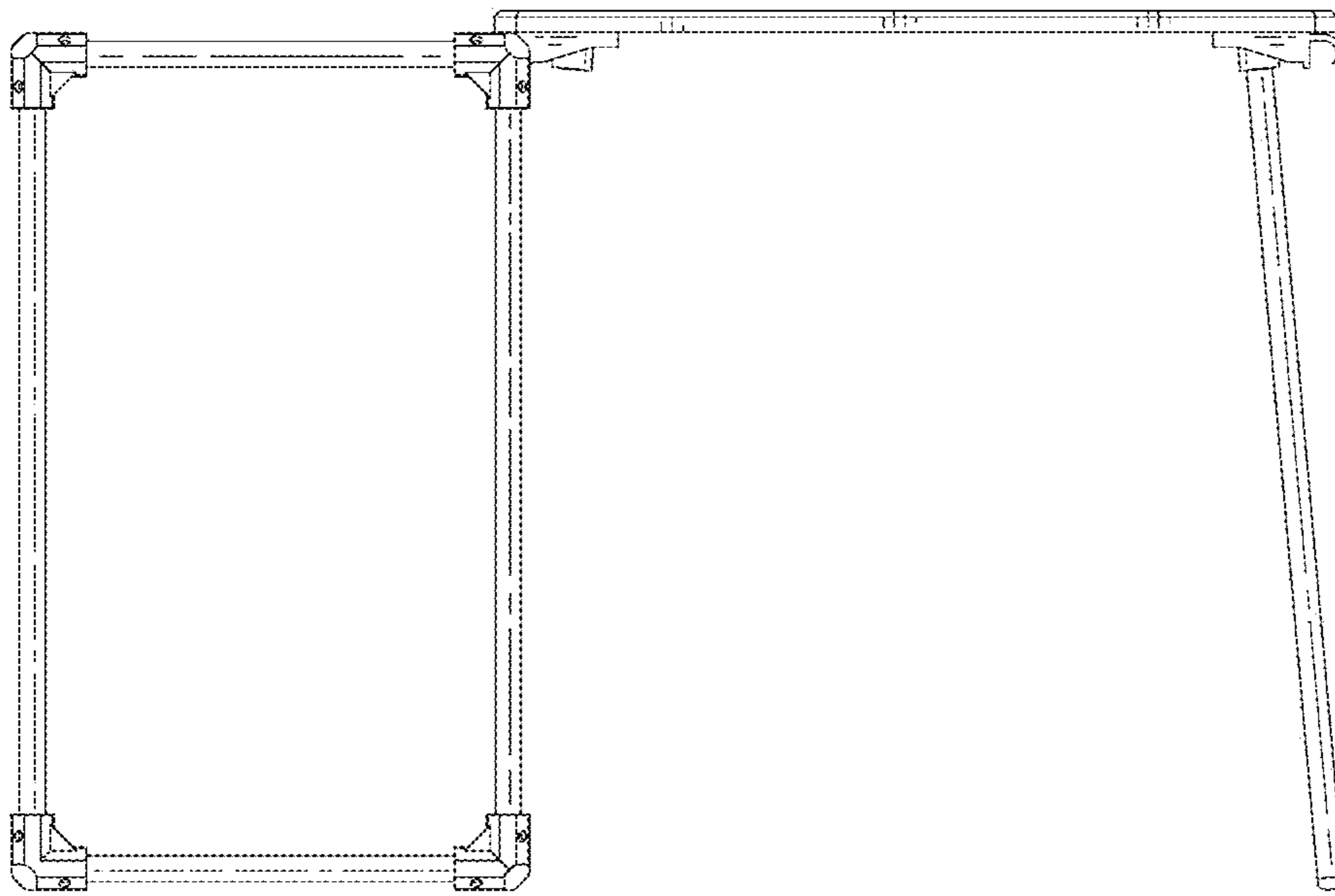


Fig. 4

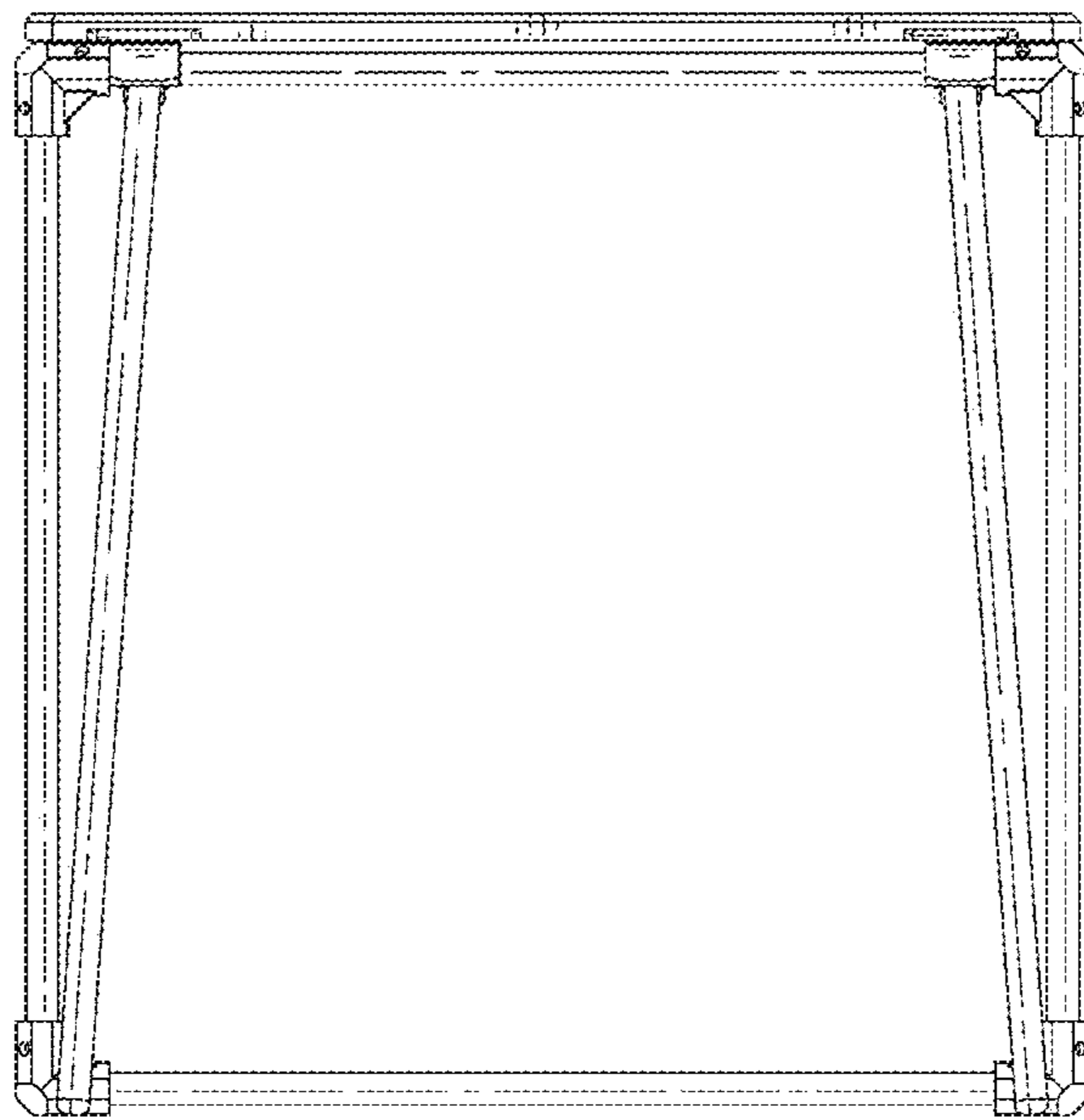


Fig. 5

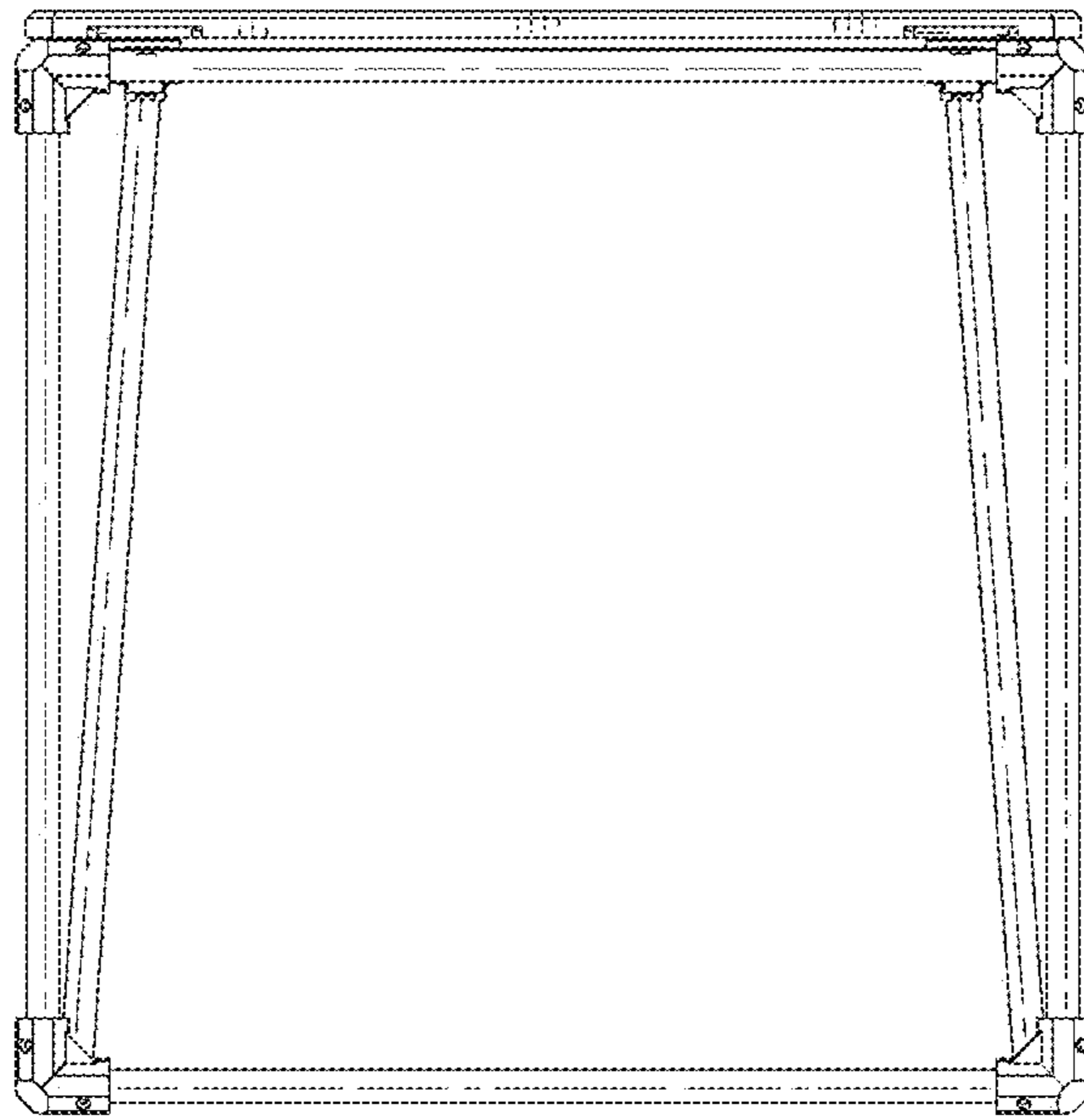


Fig. 6

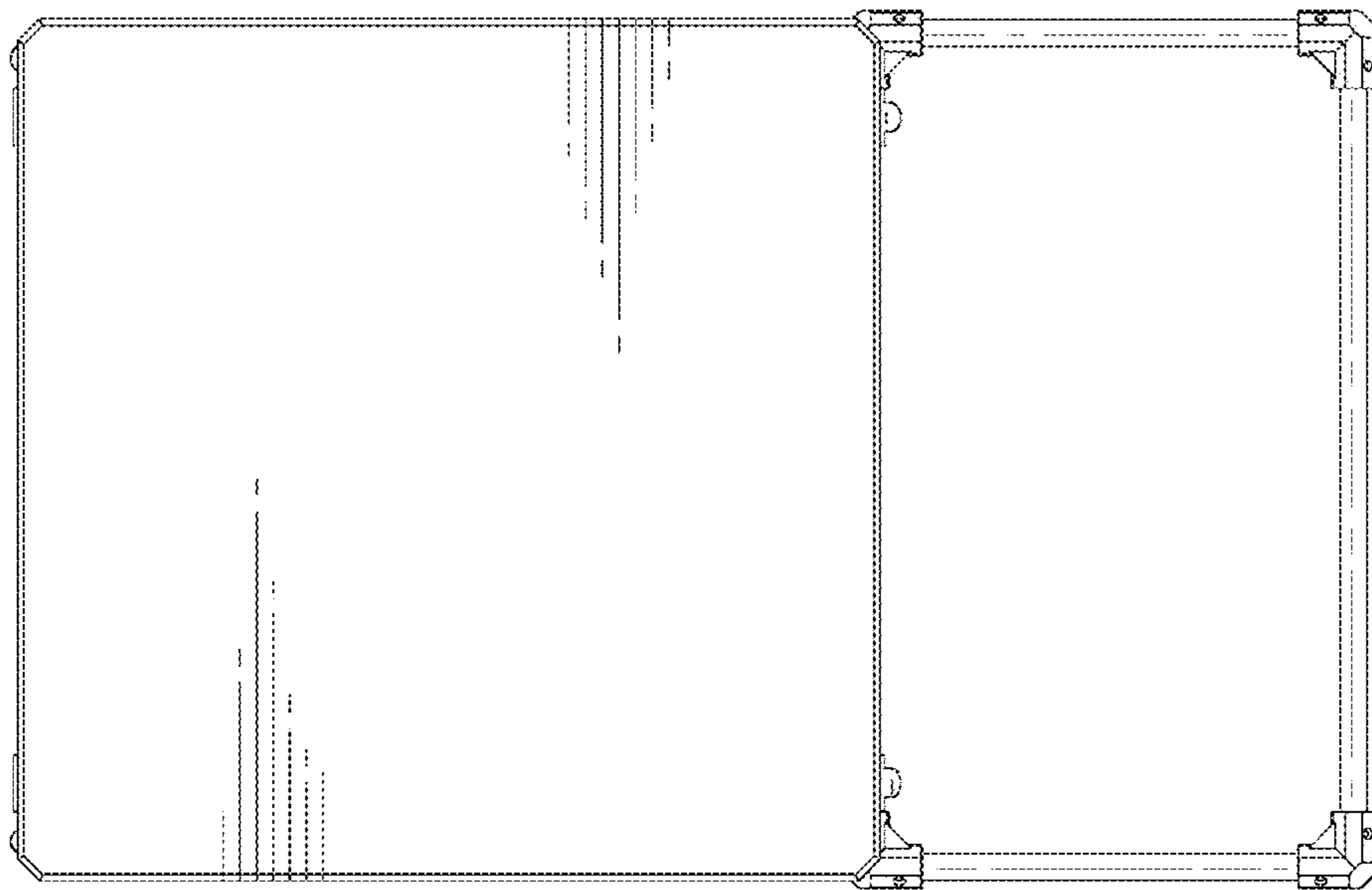


Fig. 7

