



US00D983569S

(12) **United States Design Patent**
Connolly

(10) **Patent No.:** **US D983,569 S**
(45) **Date of Patent:** **** Apr. 18, 2023**

(54) **COMBINED TOP SHEET AND FITTED SHEET**

(71) Applicant: **Michael Connolly**, Dallas, TX (US)

(72) Inventor: **Michael Connolly**, Dallas, TX (US)

(**) Term: **15 Years**

(21) Appl. No.: **29/751,863**

(22) Filed: **Sep. 23, 2020**

(51) **LOC (14) Cl.** **06-13**

(52) **U.S. Cl.**

USPC **D6/602**; D6/603

(58) **Field of Classification Search**

USPC D6/595, 596, 601-603, 605, 608

CPC A47G 9/00; A47G 9/02; A47G 9/0207;

A47G 9/0238; A47G 9/0246; A47G

2009/004

See application file for complete search history.

(56) **References Cited**

U.S. PATENT DOCUMENTS

2,942,280 A * 6/1960 May, Jr. A47G 9/0246
5/497

3,521,309 A * 7/1970 Evans A47G 9/04
5/494

D338,796 S * 8/1993 Staudinger D6/596

D433,865 S * 11/2000 Willbanks D6/602

D507,919 S * 8/2005 Bishop D6/601

7,003,826 B1 * 2/2006 Kinsman A47G 9/02
5/482

9,259,107 B2 * 2/2016 Lilienthal A47G 9/02

(Continued)

FOREIGN PATENT DOCUMENTS

NZ 410689-0001 * 10/2008

OTHER PUBLICATIONS

The One Sheet by Sova, Internet Product Page. Date of Oldest Review: Aug. 31, 2021, Date Accessed: Nov. 14, 2022. Available on the Internet URL: <https://sleepsova.com/products/the-one-sheet> (Year: 2021).*

Primary Examiner — S. Bryan Reinholdt, Jr.

Assistant Examiner — Julia S Folkart

(74) *Attorney, Agent, or Firm* — Michael Diaz

(57) **CLAIM**

The ornamental design for a combined top sheet and fitted sheet, as shown and described.

DESCRIPTION

FIG. 1 is a front view of the combined top sheet and fitted sheet with the top sheet partially folded down;

FIG. 2 is a front view of the combined top sheet and fitted sheet;

FIG. 3 is a frontal side view of the combined top sheet and fitted sheet;

FIG. 4 is a top view of the combined top sheet and fitted sheet with the top sheet pulled away from the fitted sheet;

FIG. 5 is an isolated front view of a left corner of the combined top sheet and fitted sheet with the top sheet pulled away from the fitted sheet;

FIG. 6 is an isolated front view of a right corner opposite the left corner of the combined top sheet and fitted sheet with the top sheet pulled away from the fitted sheet;

FIG. 7 is an isolated front view of the right corner of the combined top sheet and fitted sheet illustrating a right tag connecting the top sheet with the fitted sheet; and,

FIG. 8 is an isolated front view of the left corner of the combined top sheet and fitted sheet illustrating a left tag connecting the top sheet with the fitted sheet.

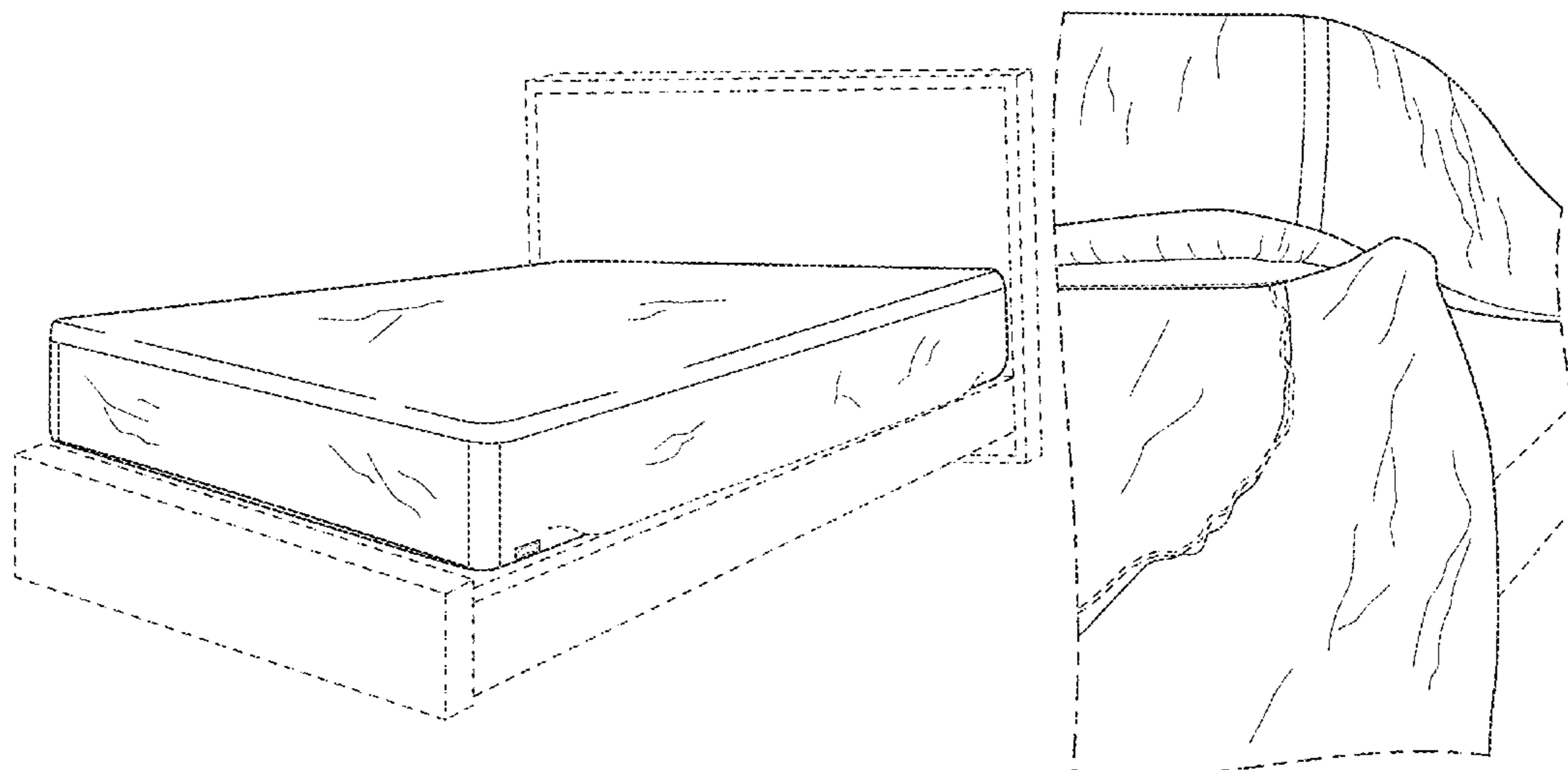
The broken lines in FIGS. 4-8 depict boundary lines which form no part of the claimed design.

The broken lines in FIGS. 1-3 depict environment of a bed that forms no part of the claimed design.

The broken lines in FIGS. 5 and 6 depict portions of the article that form no part of the claimed design.

The broken lines in FIGS. 3, 7, and 8 depict portions of the article that form no part of the claimed design.

1 Claim, 6 Drawing Sheets



(56)

References Cited

U.S. PATENT DOCUMENTS

D773,859 S * 12/2016 Feldman D6/602
D778,638 S 2/2017 Williams
9,622,603 B1 * 4/2017 Coats A47G 9/0246
D821,781 S * 7/2018 Rivera-Huerta D6/602
D832,619 S * 11/2018 Pacquette D6/602
D871,110 S * 12/2019 Atkinson D6/606
10,561,257 B2 * 2/2020 Young-Loaeza A47G 9/0246
D937,010 S * 11/2021 Matsuyama D6/602
2007/0271699 A1 * 11/2007 Sacchetti A47G 9/02
5/923
2018/0168372 A1 * 6/2018 Pool A47G 9/0207
2019/0365123 A1 * 12/2019 Weinhoffer A47G 9/0246
2022/0330730 A1 * 10/2022 Hunter A47G 9/0246

* cited by examiner

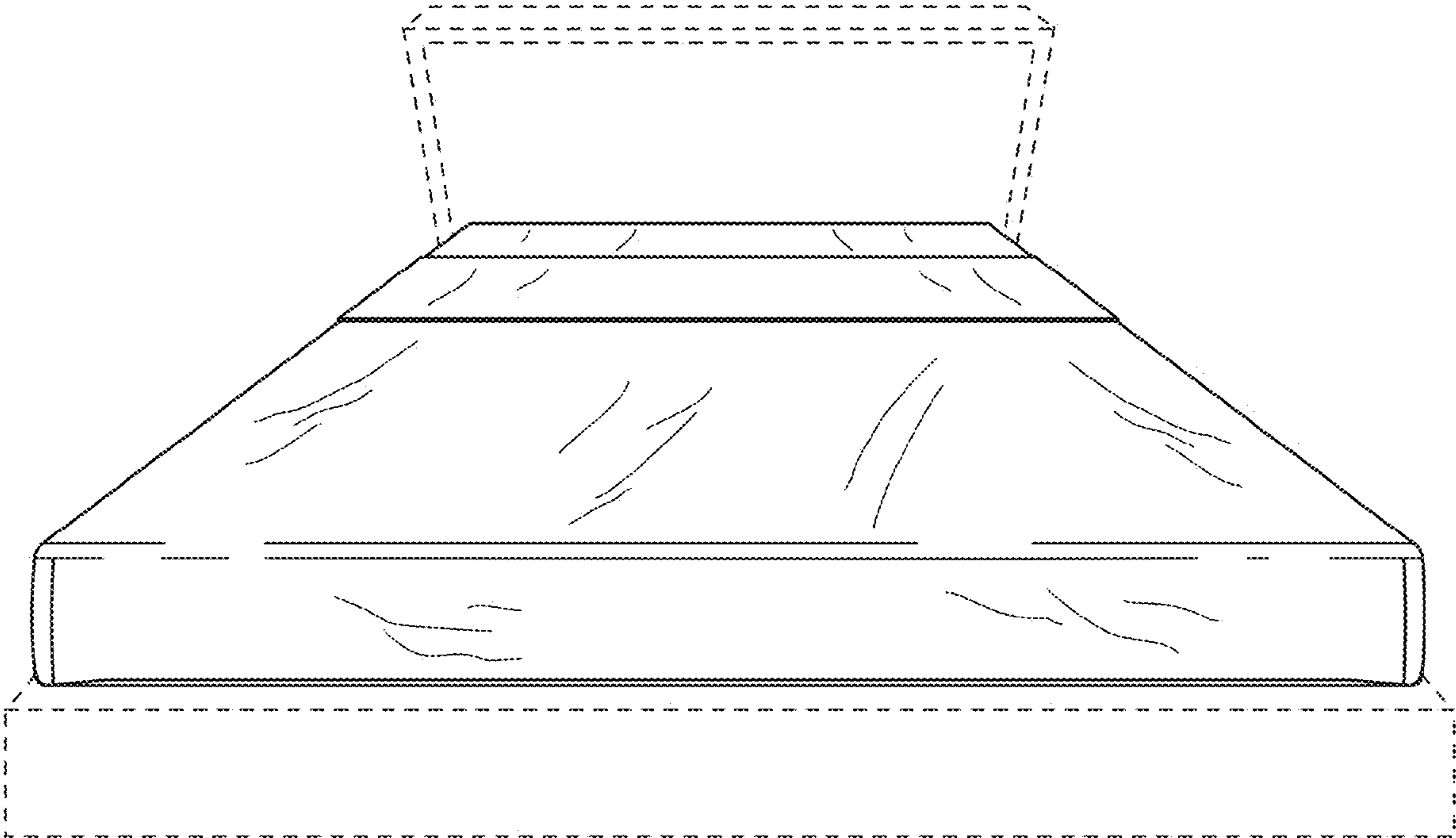


FIG. 1

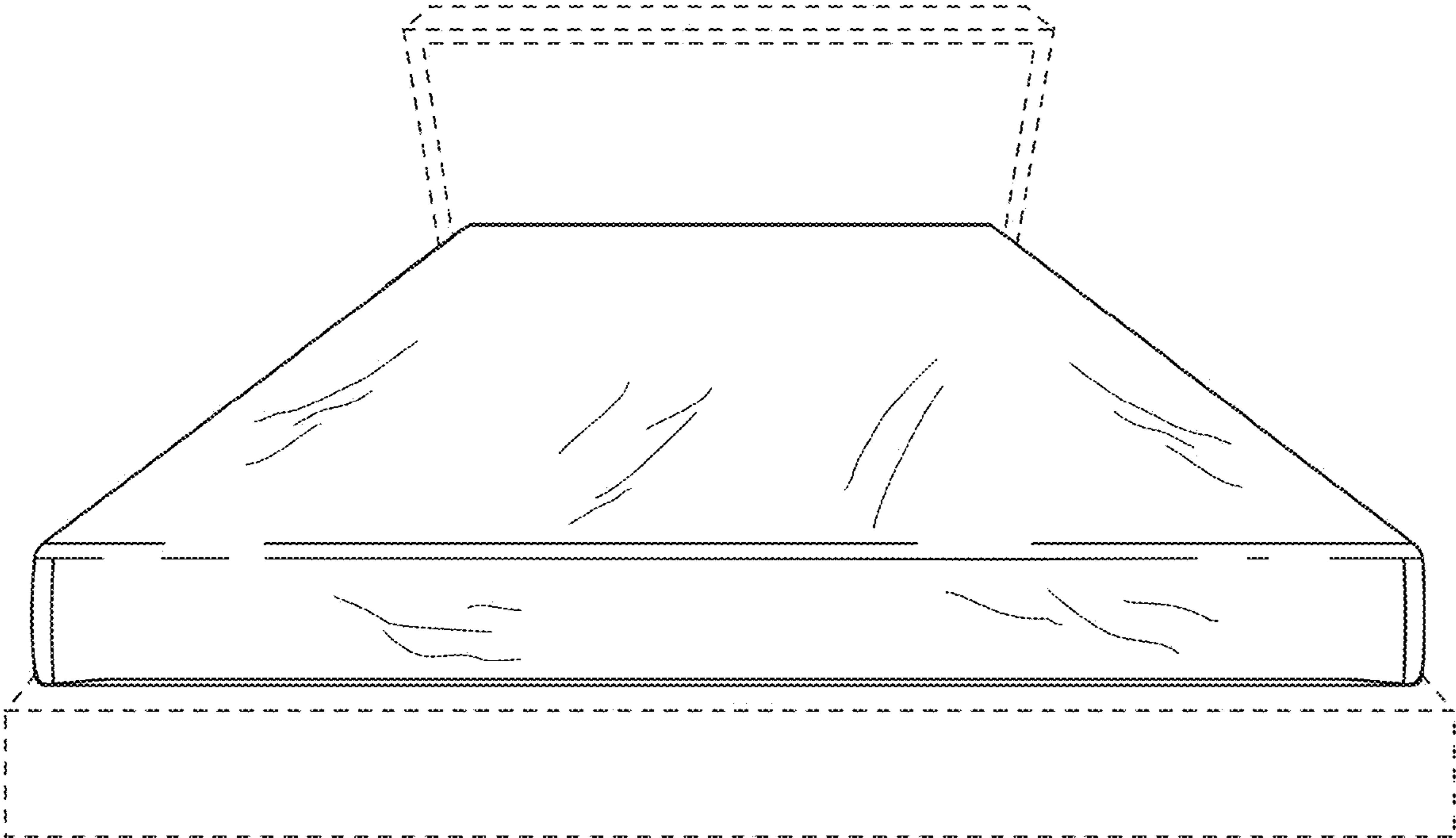


FIG. 2

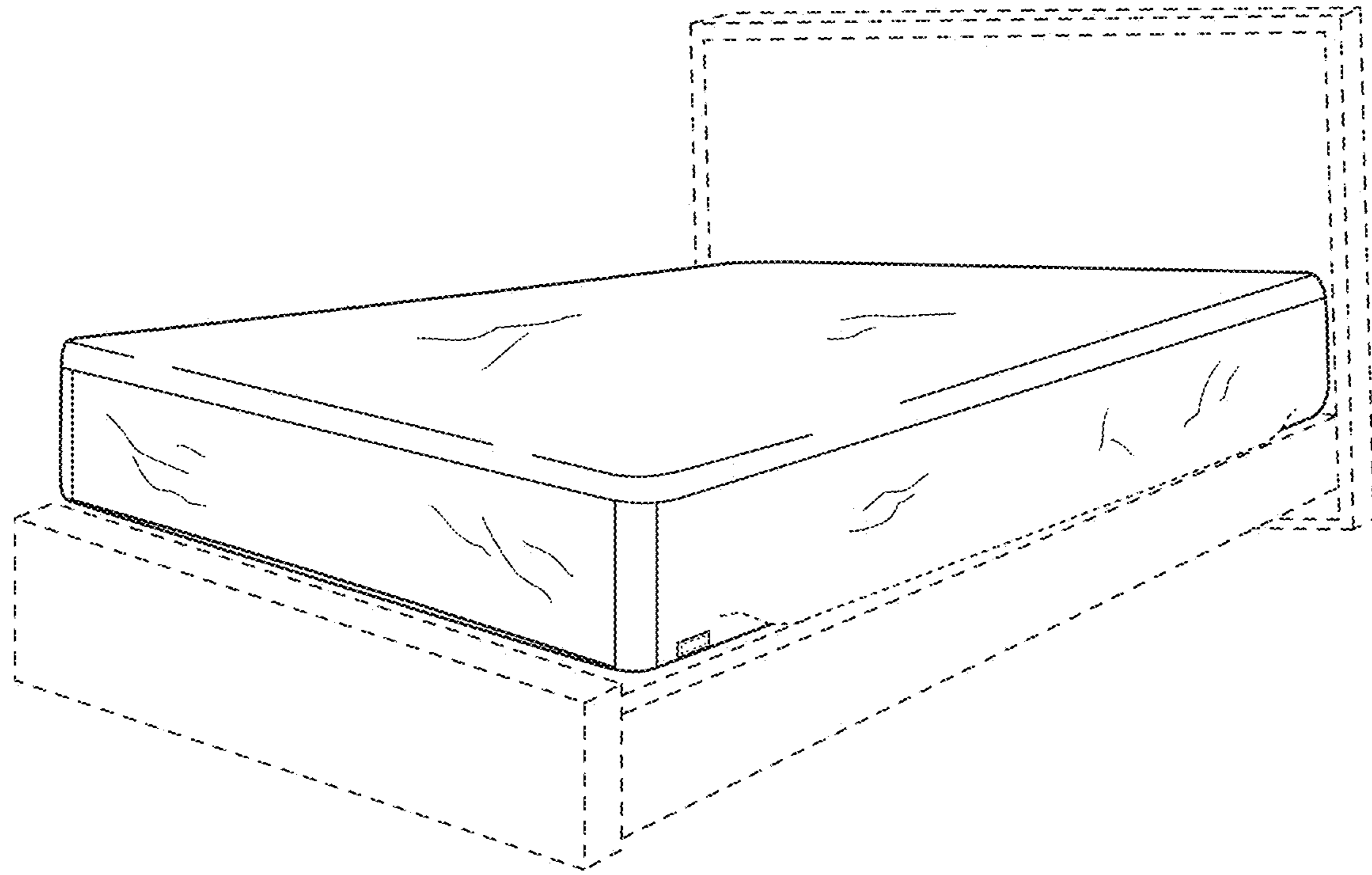


FIG. 3

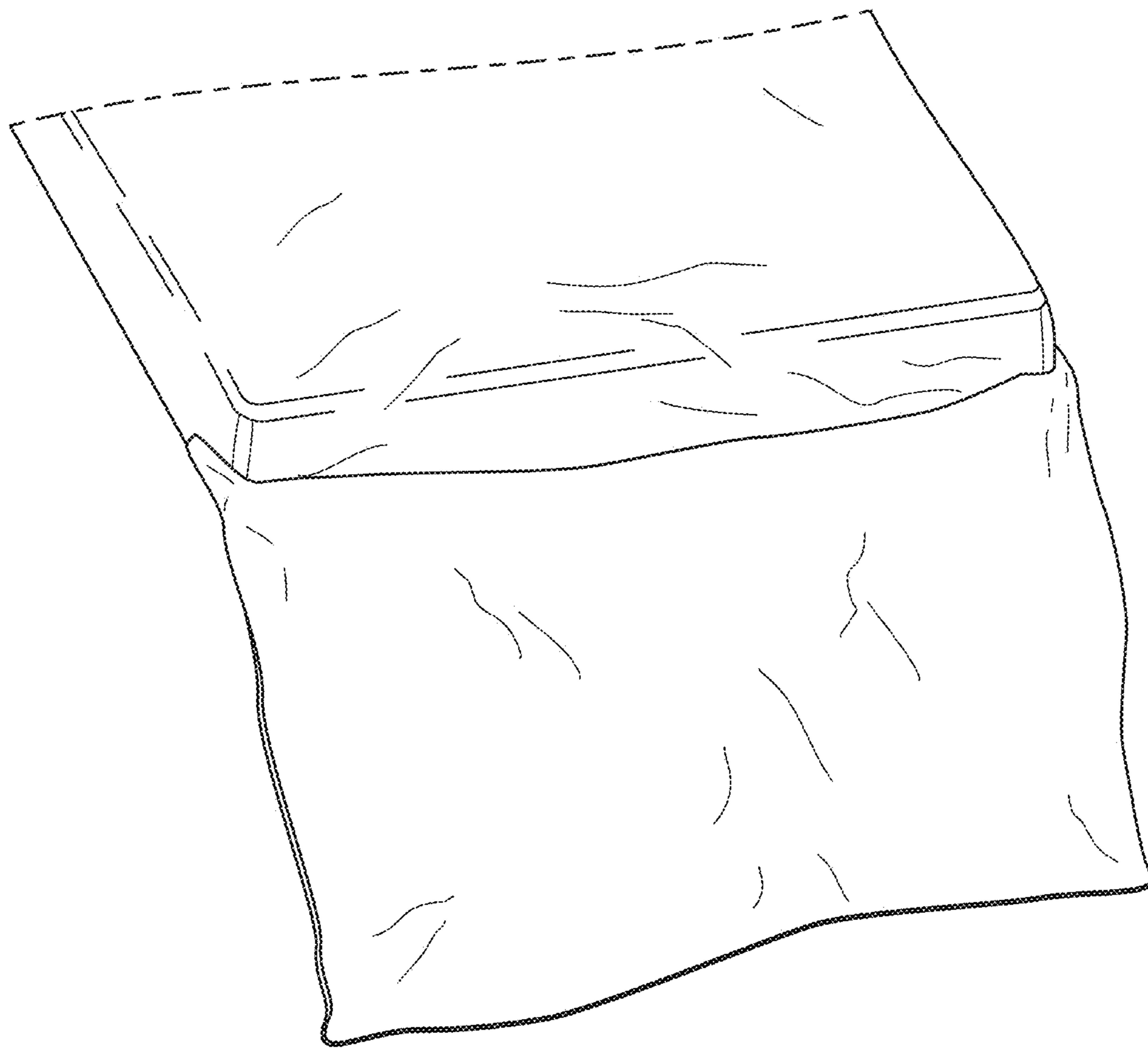


FIG. 4

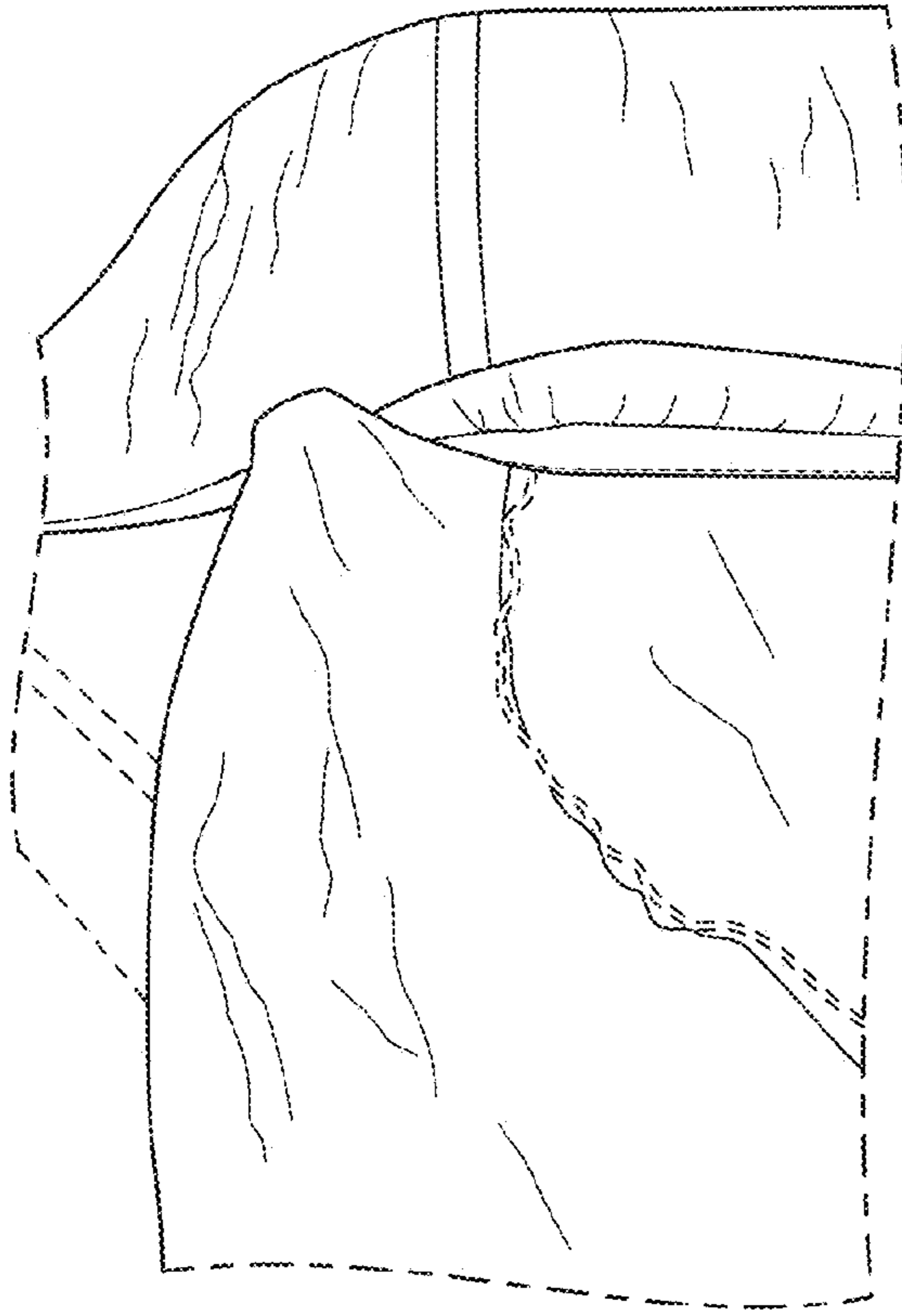


FIG. 5

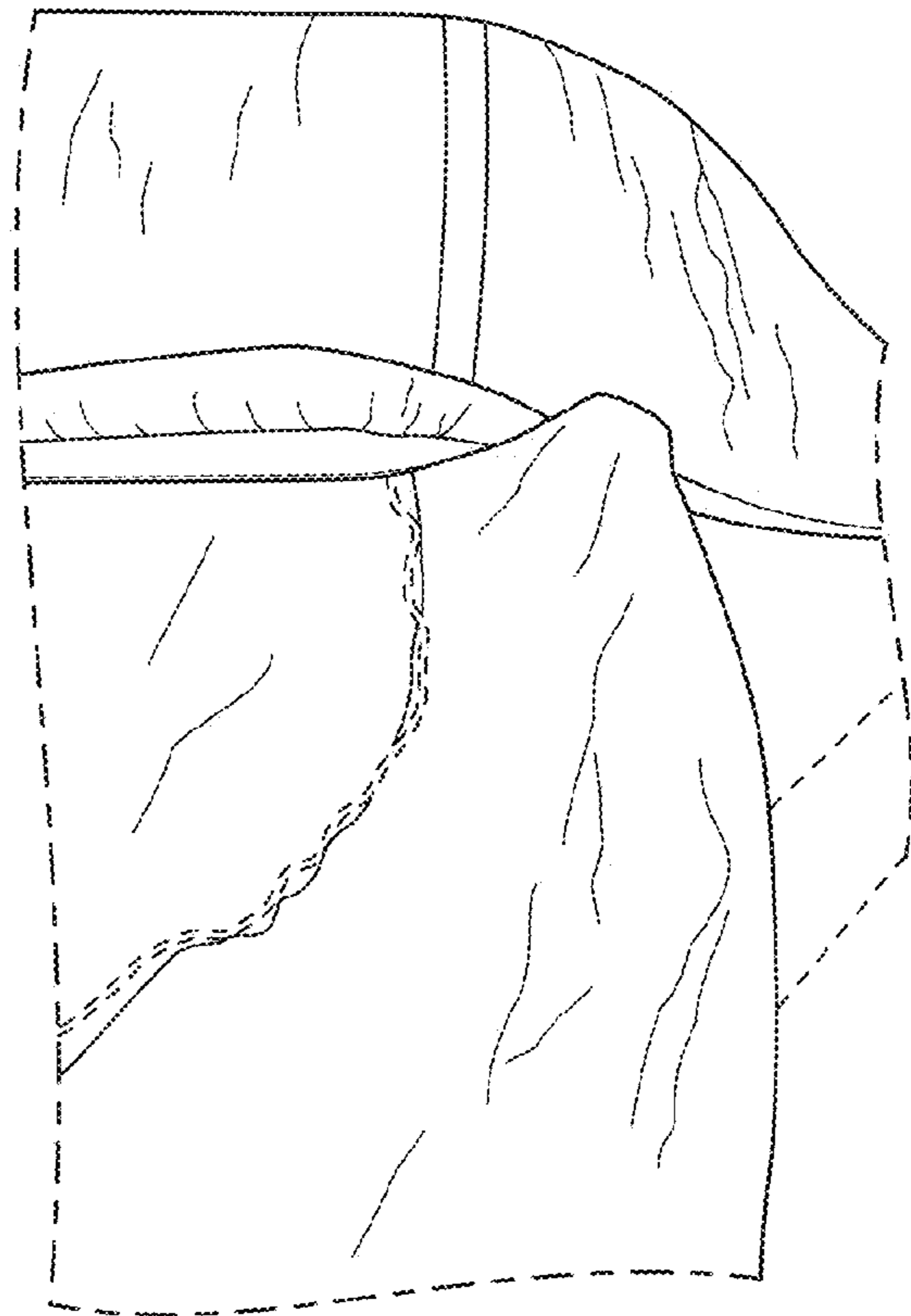


FIG. 6

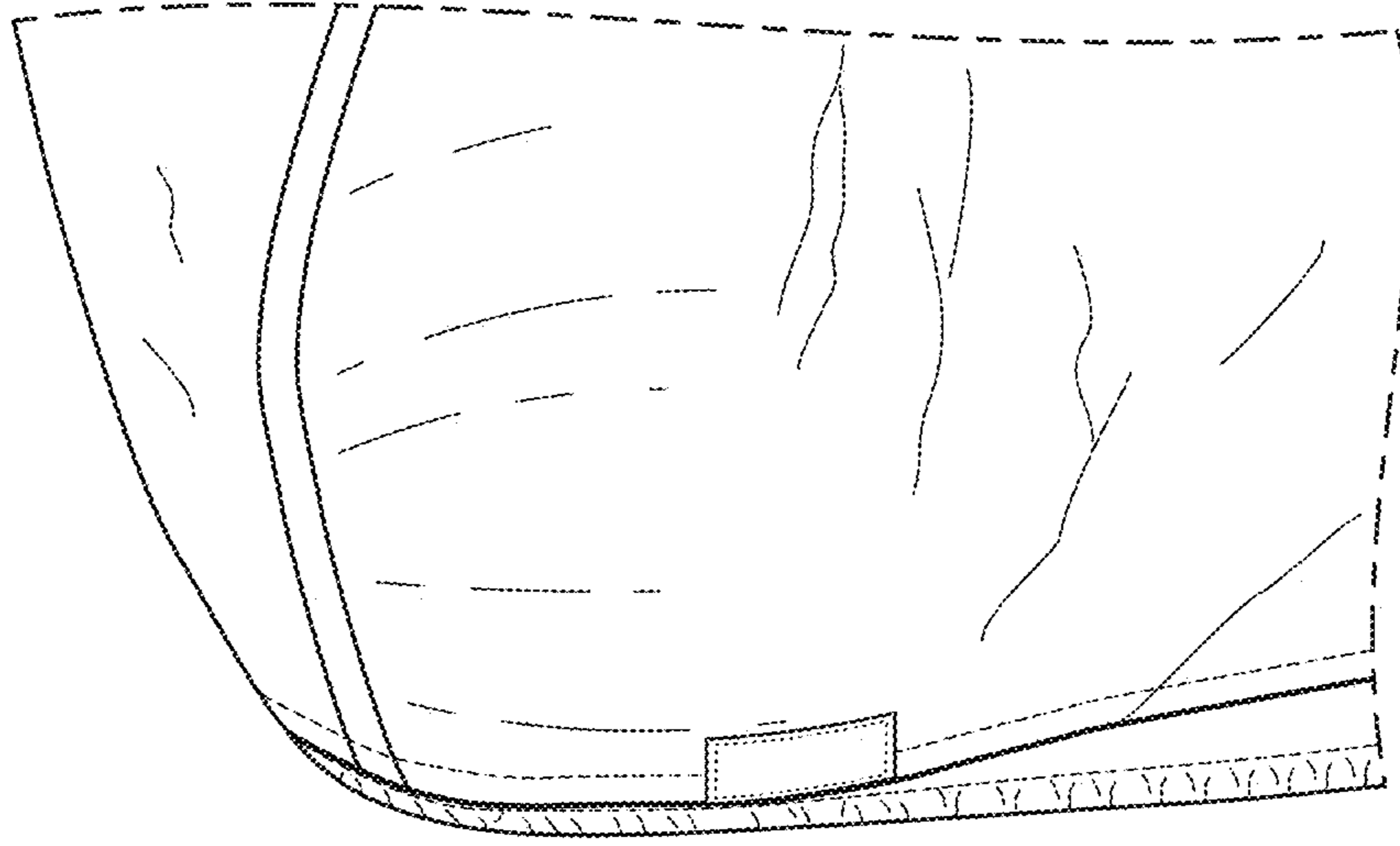


FIG. 7

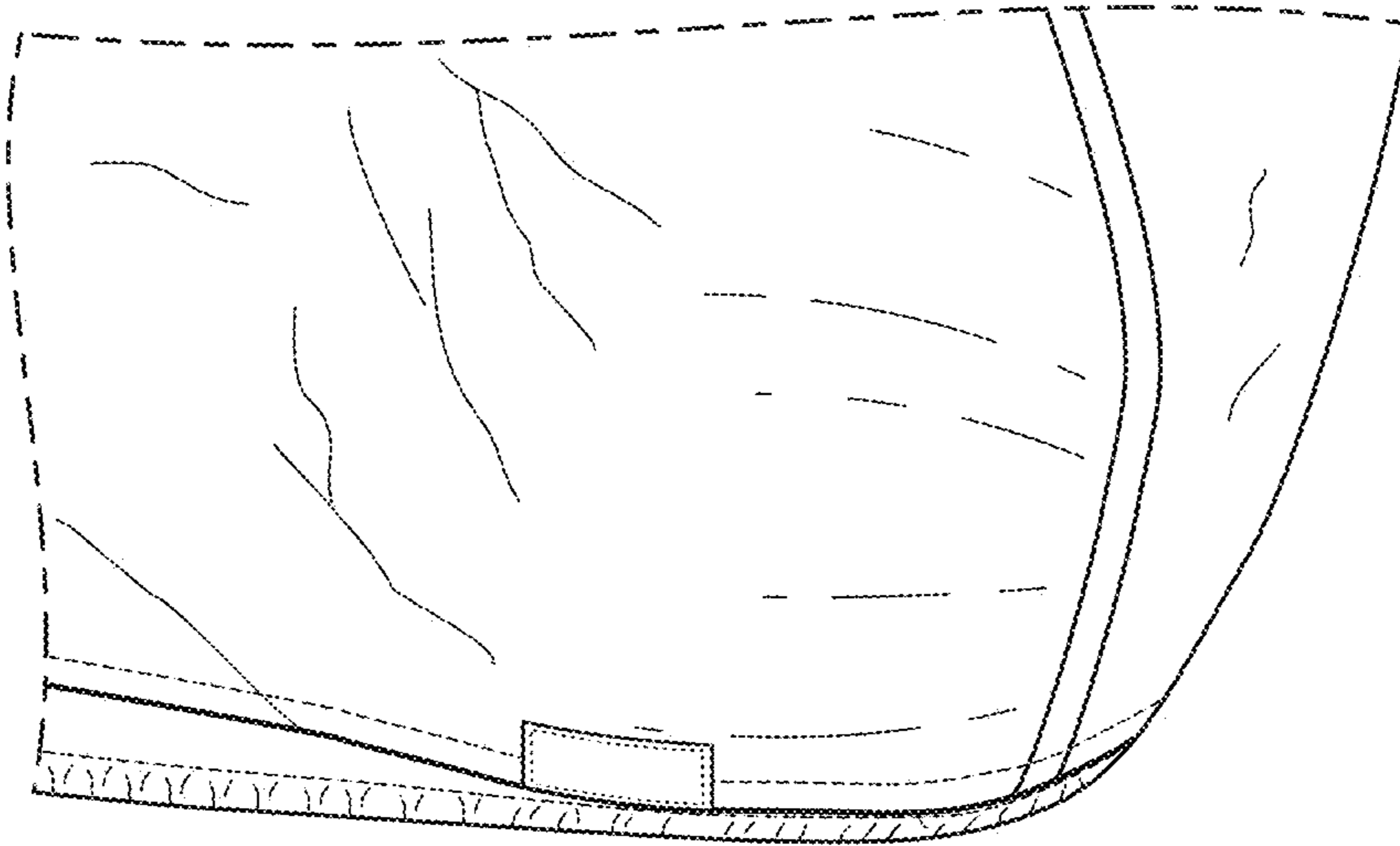


FIG. 8