



US00D983568S

(12) **United States Design Patent** (10) **Patent No.:** **US D983,568 S**
Callanan et al. (45) **Date of Patent:** **** Apr. 18, 2023**

(54) **FITTED BED SHEET**

(71) Applicants: **Megan Helene Callanan**, Santa Ana, CA (US); **Terese Matney Shaw**, Santa Ana, CA (US)

(72) Inventors: **Megan Helene Callanan**, Santa Ana, CA (US); **Terese Matney Shaw**, Santa Ana, CA (US)

(**) Term: **15 Years**

(21) Appl. No.: **29/734,246**

(22) Filed: **May 11, 2020**

(51) **LOC (14) Cl.** **06-13**

(52) **U.S. Cl.**
USPC **D6/602**

(58) **Field of Classification Search**
USPC D6/595, 596, 601, 602, 603, 605, 608
CPC .. A47G 9/0238; A47G 9/0246; A47G 9/0292;
A47G 9/00; A47G 9/02; A47G 2009/004
See application file for complete search history.

(56) **References Cited**

U.S. PATENT DOCUMENTS

5,020,177	A *	6/1991	Etherington	A47G 9/0246
					5/497
D622,531	S *	8/2010	Morrison	D6/605
D698,585	S *	2/2014	McClutchen	D6/602
D741,622	S *	10/2015	Jensen	D6/606
D744,766	S *	12/2015	Morrison	D6/605
D746,082	S *	12/2015	Harmening	D6/605
D785,972	S *	5/2017	Oberwelz	D6/602
D787,234	S *	5/2017	Szpyt	D6/605
D794,981	S *	8/2017	Roma	D6/596
D806,442	S *	1/2018	Alletto, Jr.	D6/605

(Continued)

OTHER PUBLICATIONS

Dillard's Colorblock Navy Tailored Bed Skirt, Internet Product Page. Date Accessed: Aug. 17, 2022. Accessed on the Internet URL:

<https://www.dillards.com/p/nautica-colorblock-navy-tailored-bed-skirt/514660787> (Year: 2022).*

(Continued)

Primary Examiner — S. Bryan Reinholdt, Jr.

Assistant Examiner — Julia S Folkart

(74) *Attorney, Agent, or Firm* — Seed IP Law Group LLP

(57) **CLAIM**

The ornamental design for a fitted bed sheet, as shown and described.

DESCRIPTION

FIG. 1 is a front perspective view of a fitted bed sheet showing our new design.

FIG. 2 is a top plan view thereof.

FIG. 3 is a right side elevational view thereof; the left side is a mirror image.

FIG. 4 is a bottom plan view thereof.

FIG. 5 is front elevational view thereof; the rear side is a mirror image.

FIG. 6 is a front perspective view thereof.

FIG. 7 is a top plan view thereof.

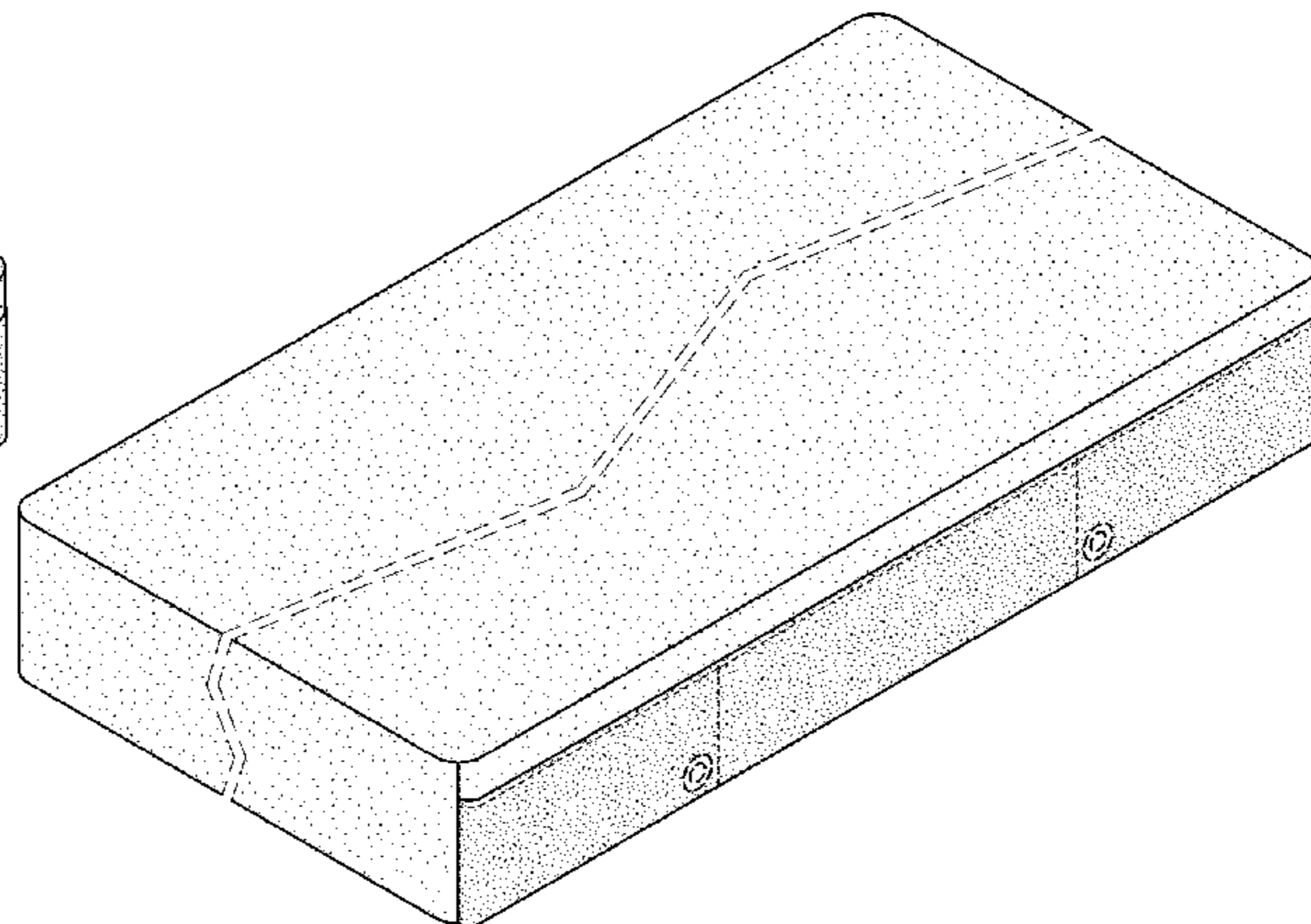
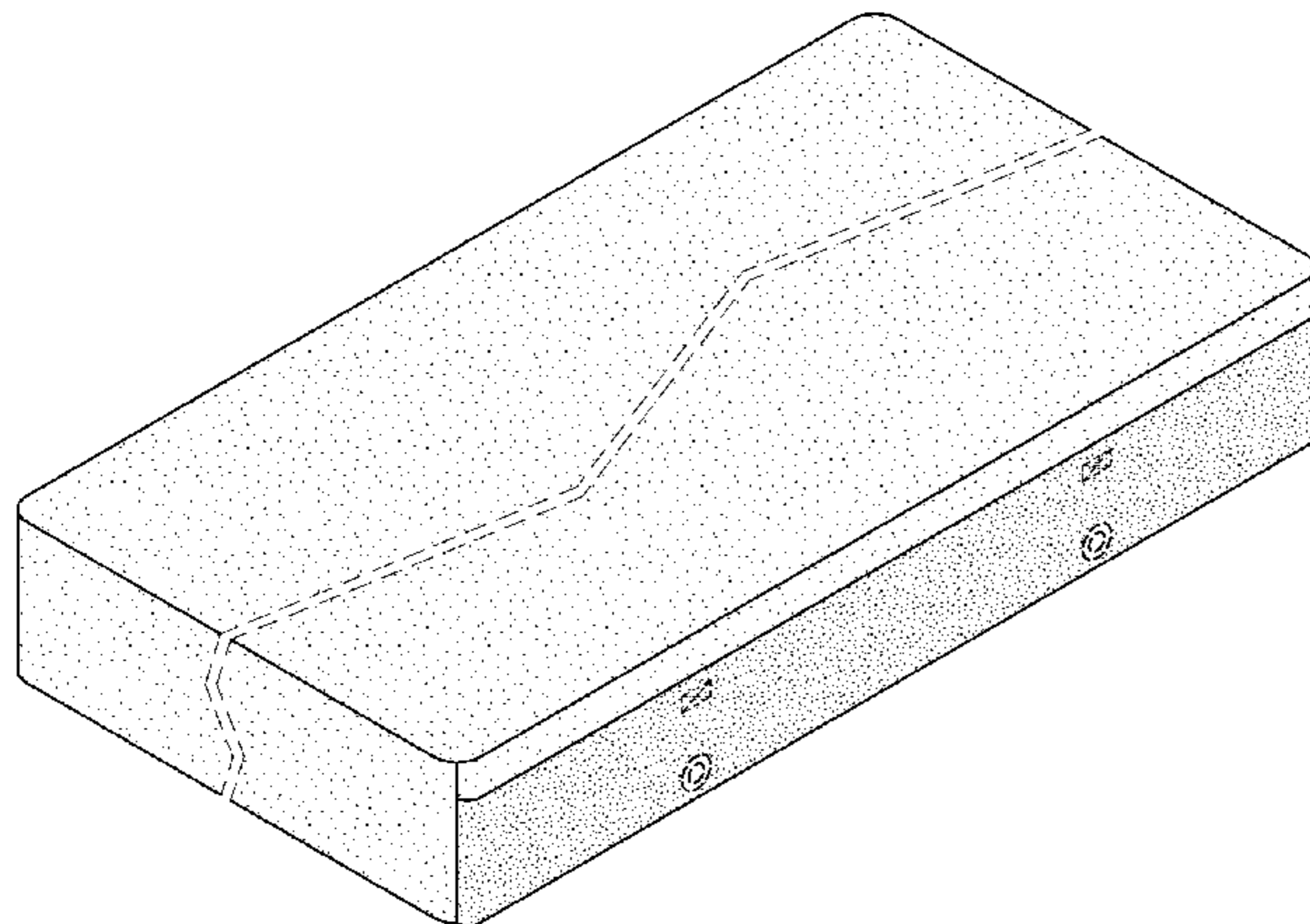
FIG. 8 is a right side elevational view thereof; the left side is a mirror image.

FIG. 9 is a bottom plan view thereof; and,

FIG. 10 is a front elevational view thereof; the rear side is a mirror image.

The break lines shown in FIGS. 1, 2, 4-7, 9, and 10 symbolize breaks in the width of the article in which the claimed design is embodied. The appearance of any portion of the article between the break lines forms no part of the claimed design. The broken lines in the drawings depict portions of the fitted bed sheet that form no part of the claimed design. The dot-dot-dash broken lines in the drawings depict environment that forms no part of the claimed design.

1 Claim, 6 Drawing Sheets



(56)

References Cited

U.S. PATENT DOCUMENTS

D823,029 S * 7/2018 Jensen D6/606
D853,751 S * 7/2019 Pennington D6/596
D865,401 S * 11/2019 Pfister D6/605
D898,414 S * 10/2020 Roma D6/596
D898,415 S * 10/2020 Roma D6/596
D908,398 S * 1/2021 Kay D6/605
D919,333 S * 5/2021 Kay D6/605
D932,808 S * 10/2021 Keeley D6/605
D956,449 S * 7/2022 Egger D6/605
2015/0182031 A1 * 7/2015 Jensen A47G 9/0238
5/690
2019/0069696 A1 * 3/2019 Young A47G 9/0246

OTHER PUBLICATIONS

Nengneng Sheet Straps, Amazon Product Page. Date Accessed:
Aug. 17, 2022. Accessed on the Internet URL: <https://www.amazon.com/dp/B09MRRNKLX/> (Year: 2022).*

* cited by examiner

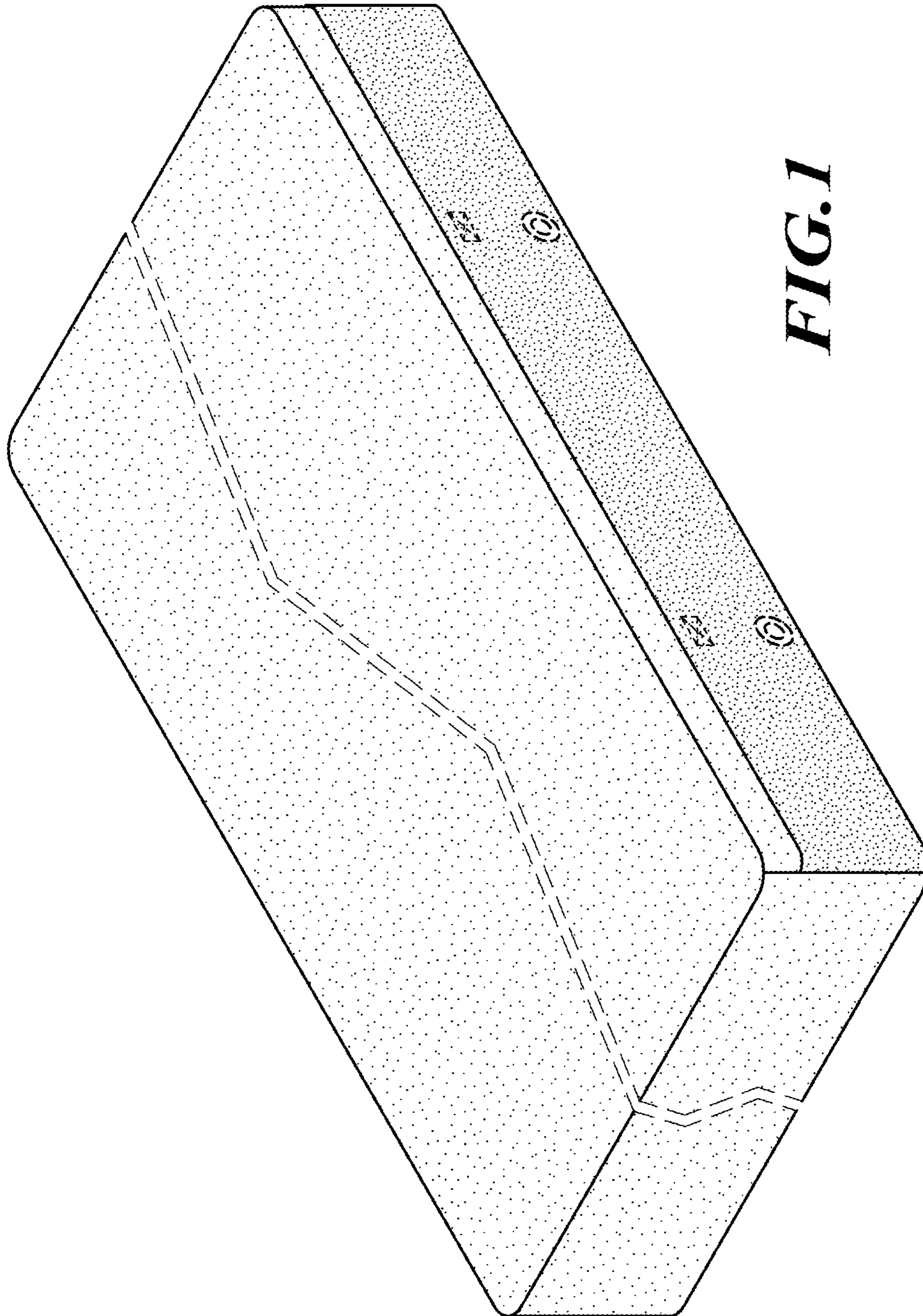


FIG. 1

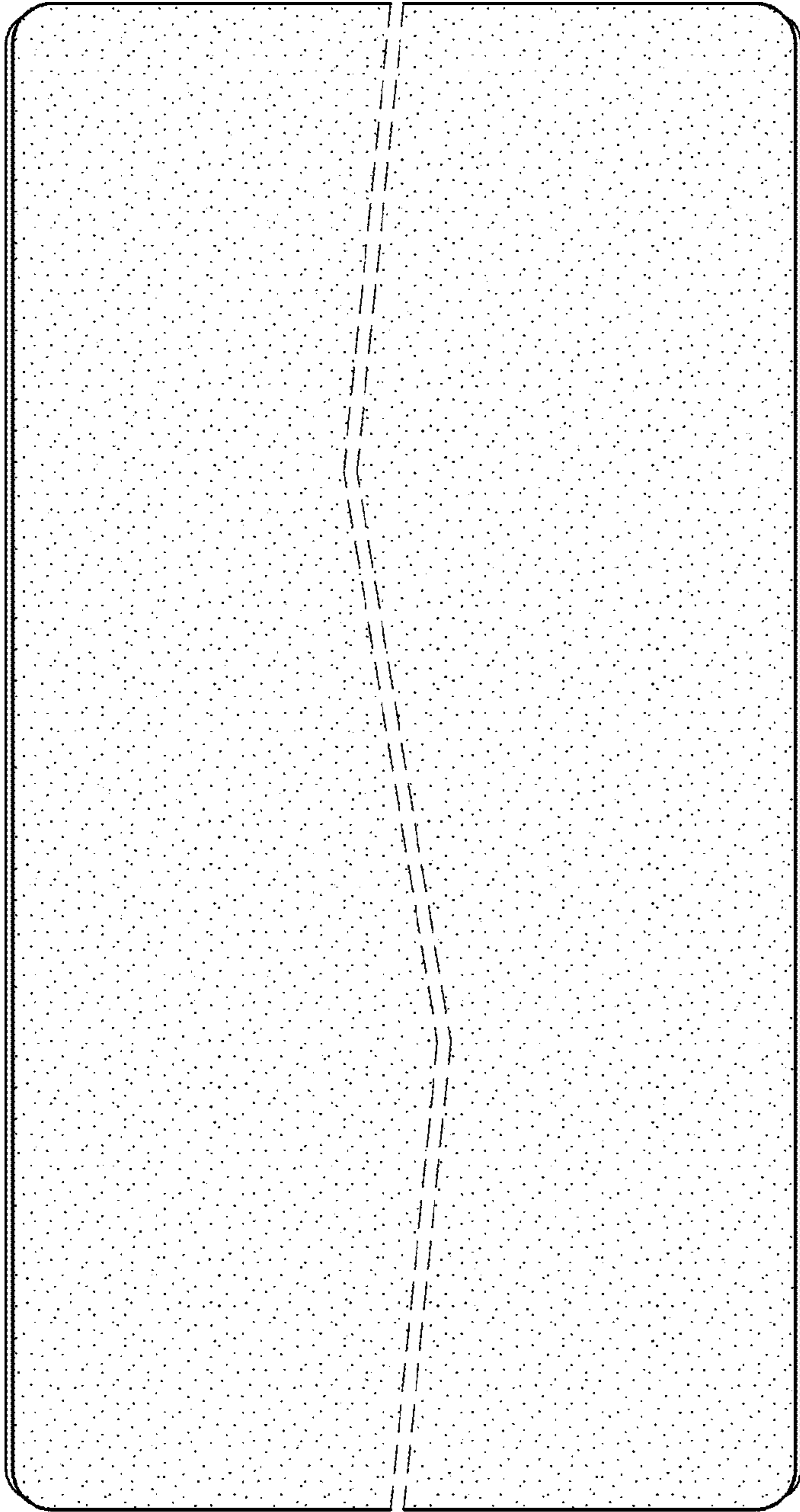


FIG. 2

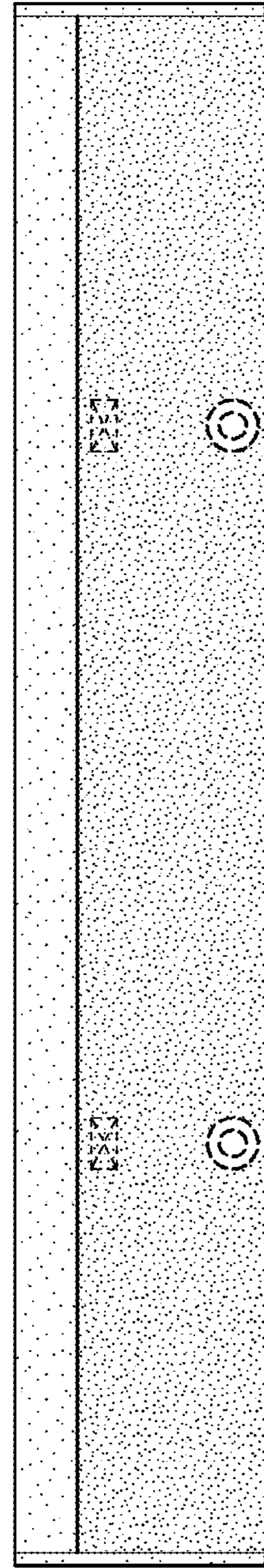


FIG. 3

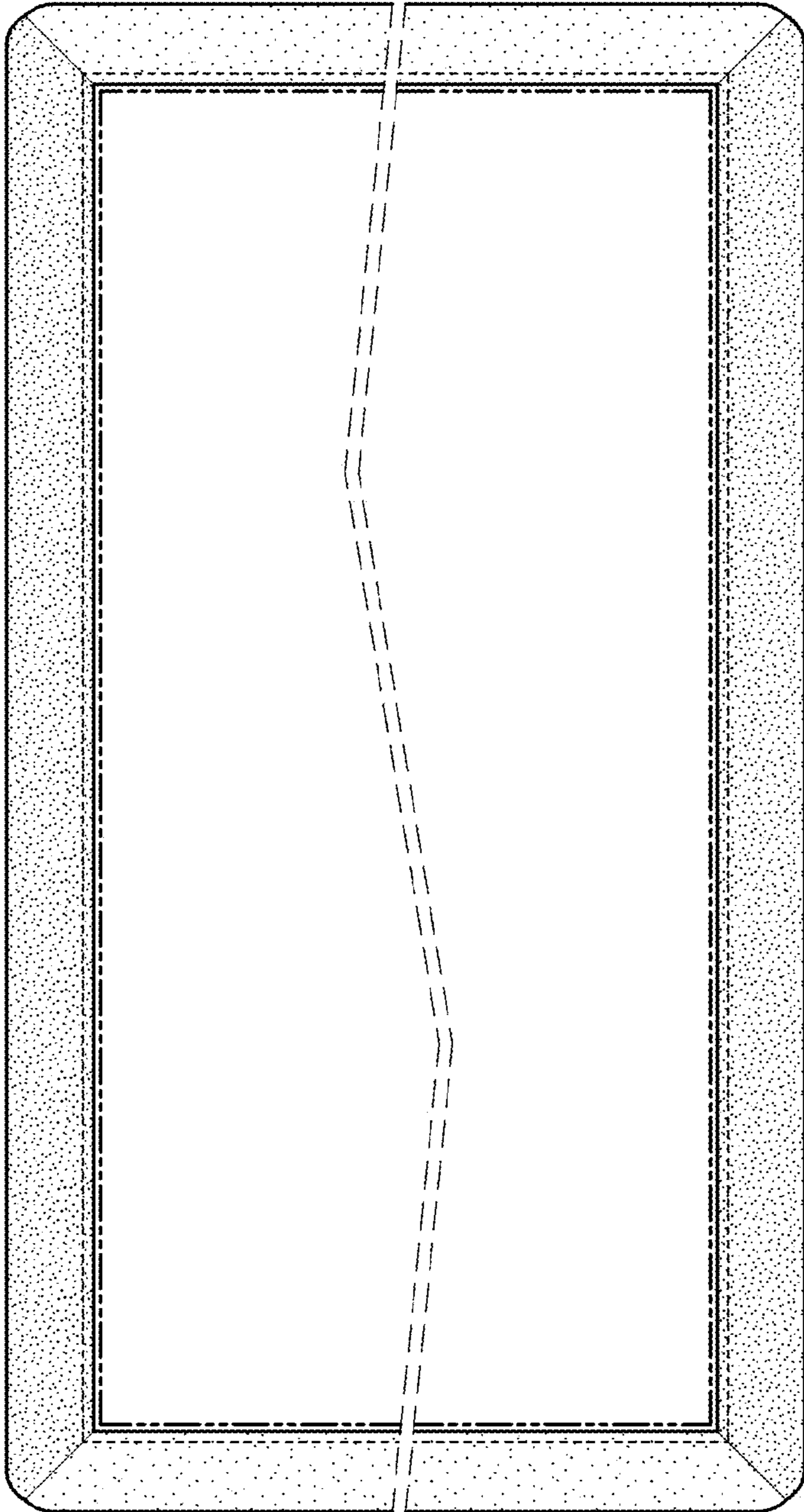


FIG. 4

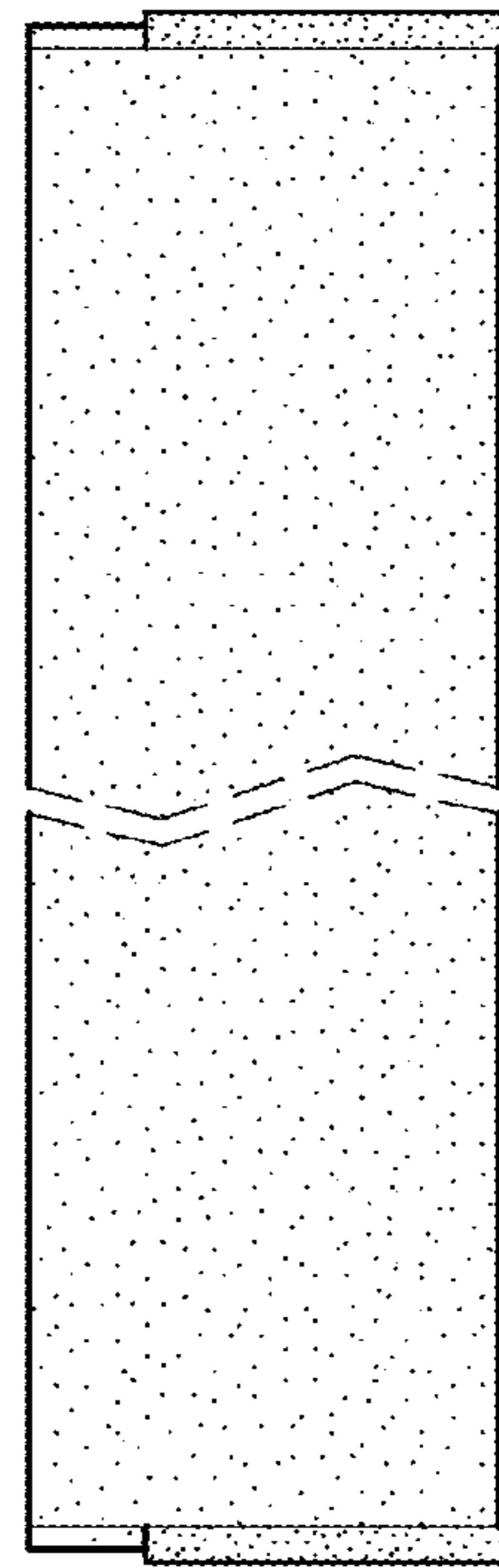


FIG. 5

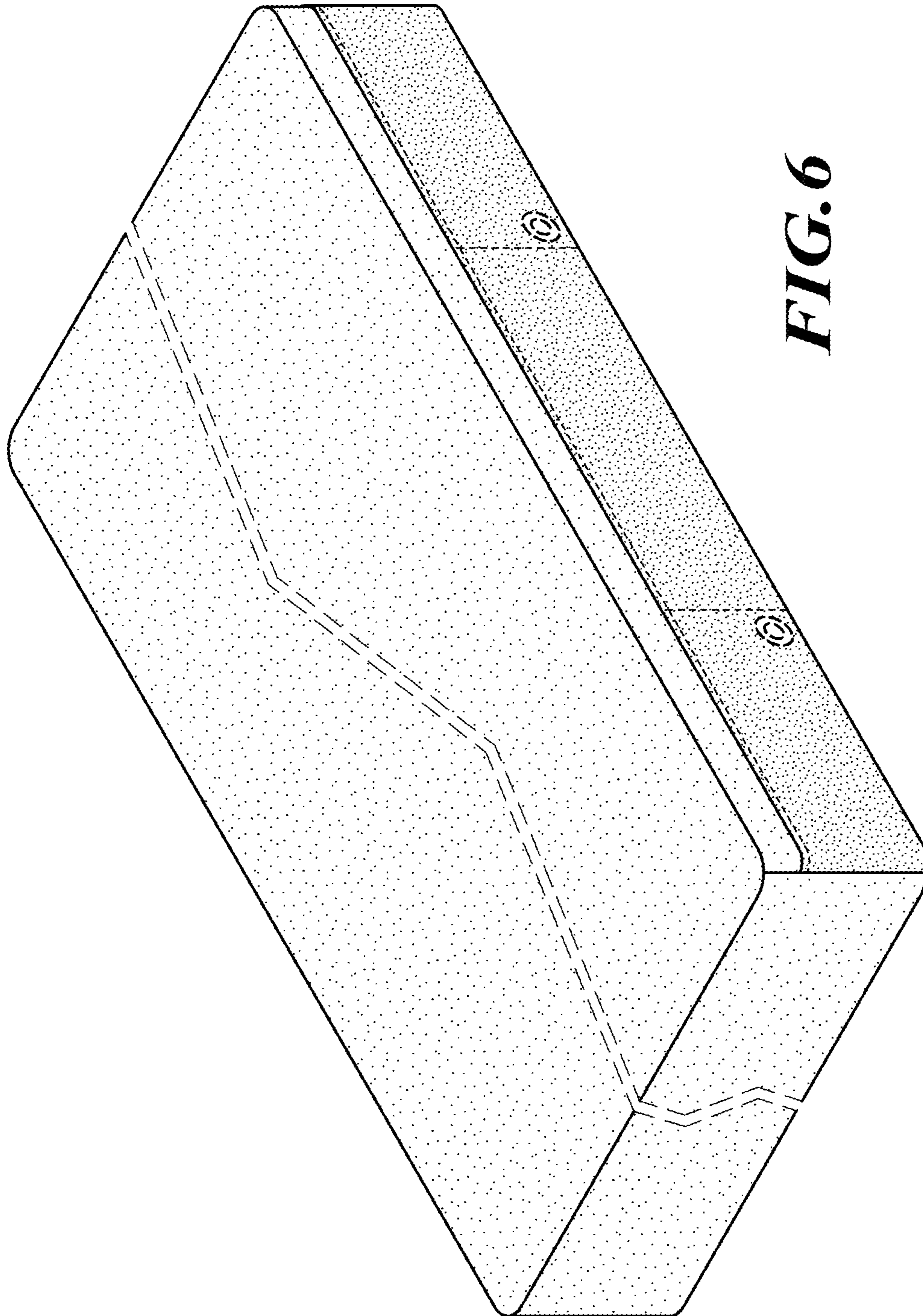


FIG. 6

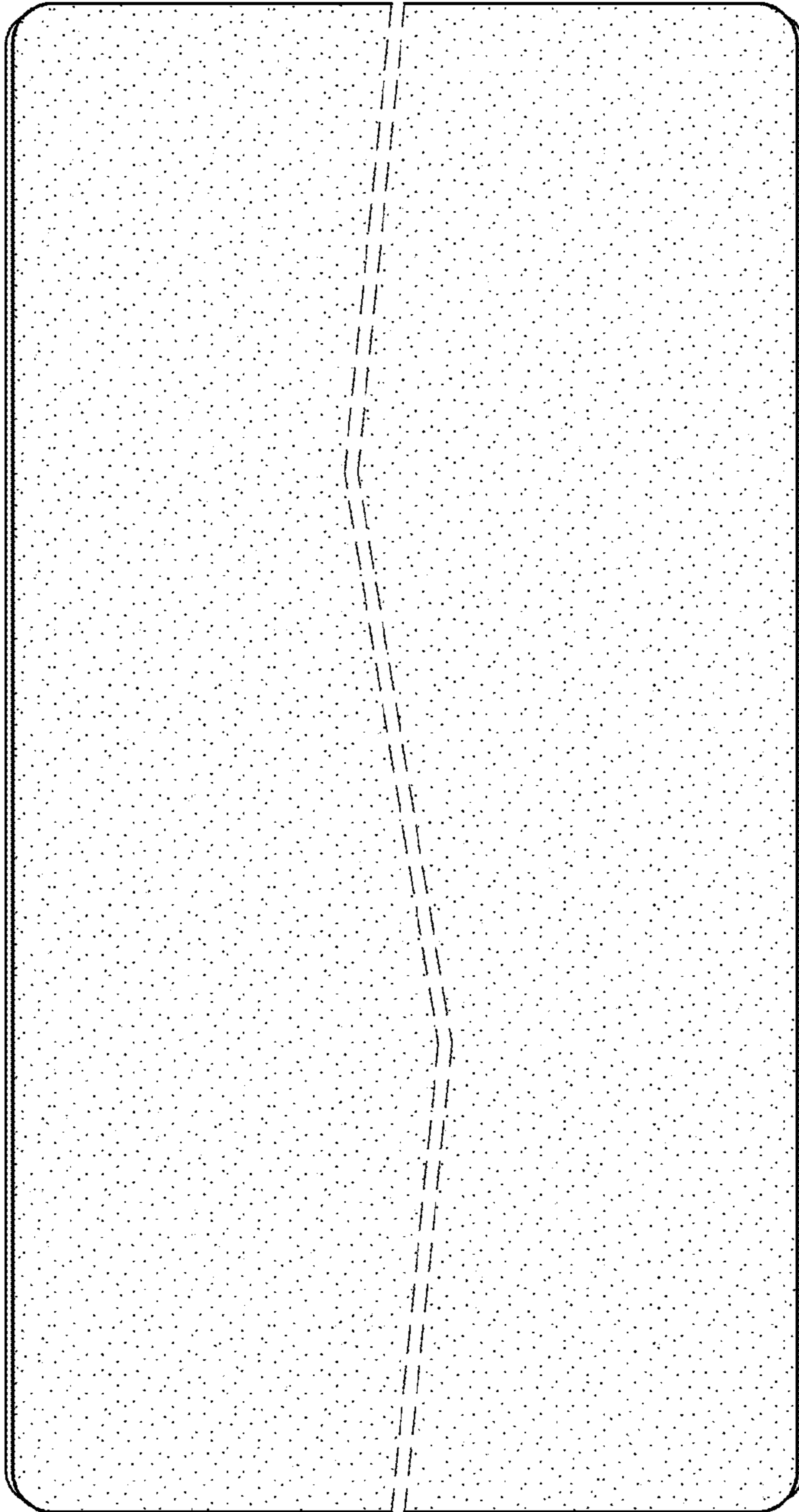


FIG. 7

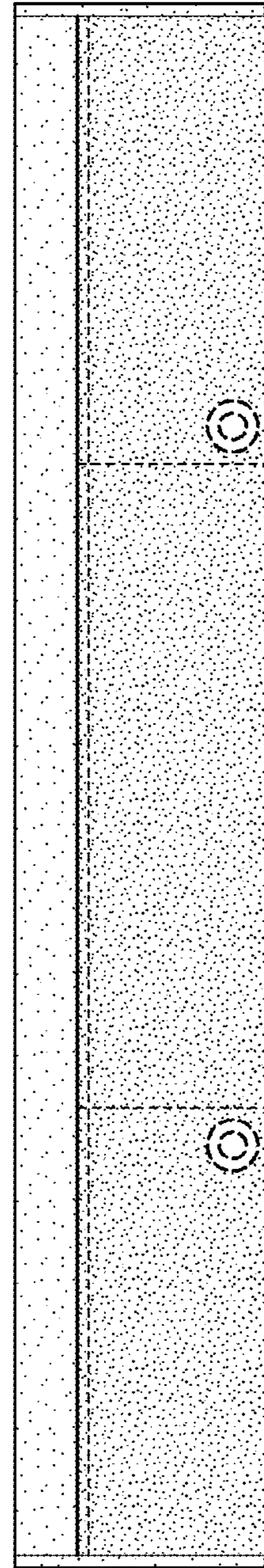


FIG. 8

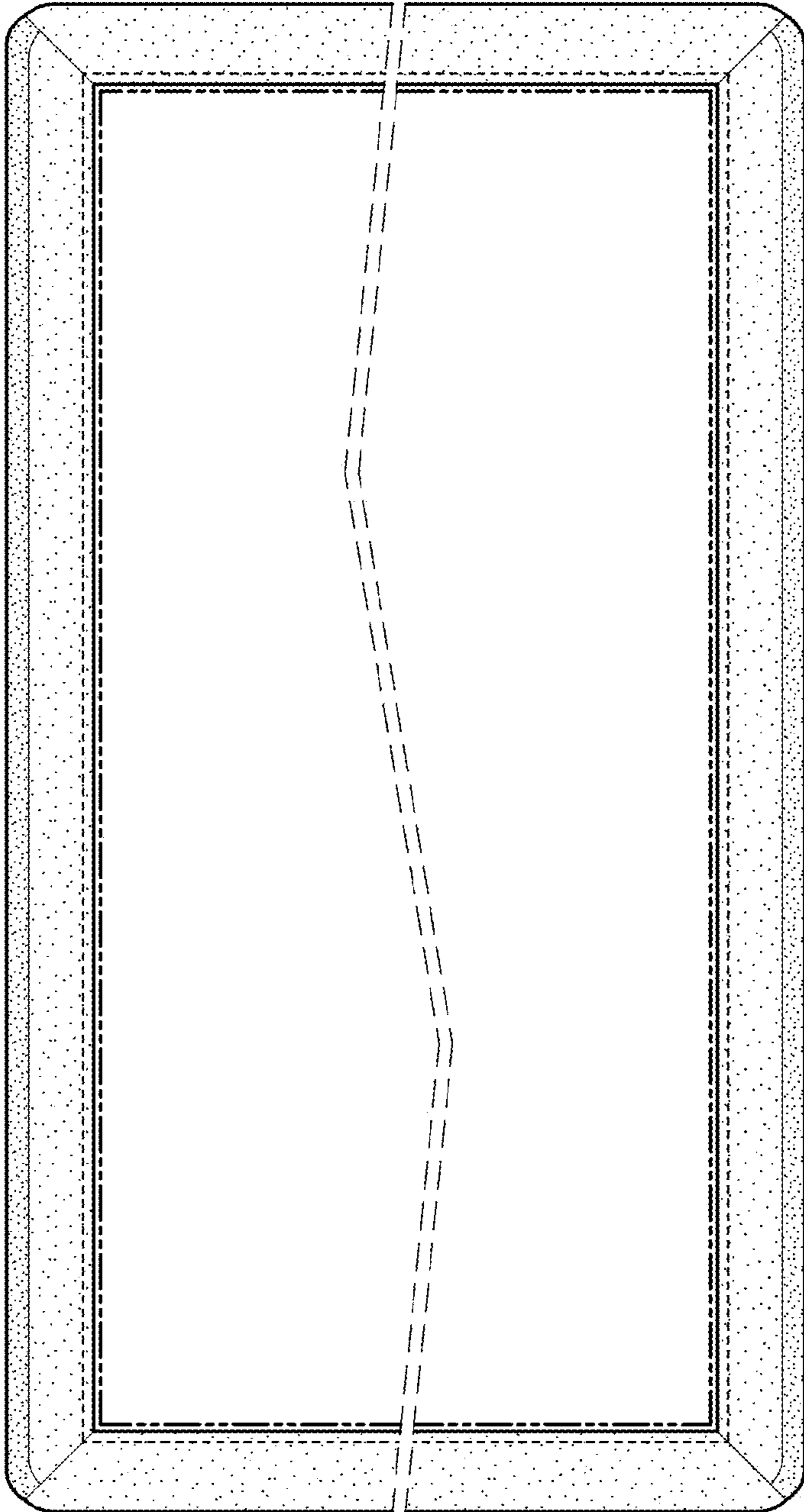


FIG. 9

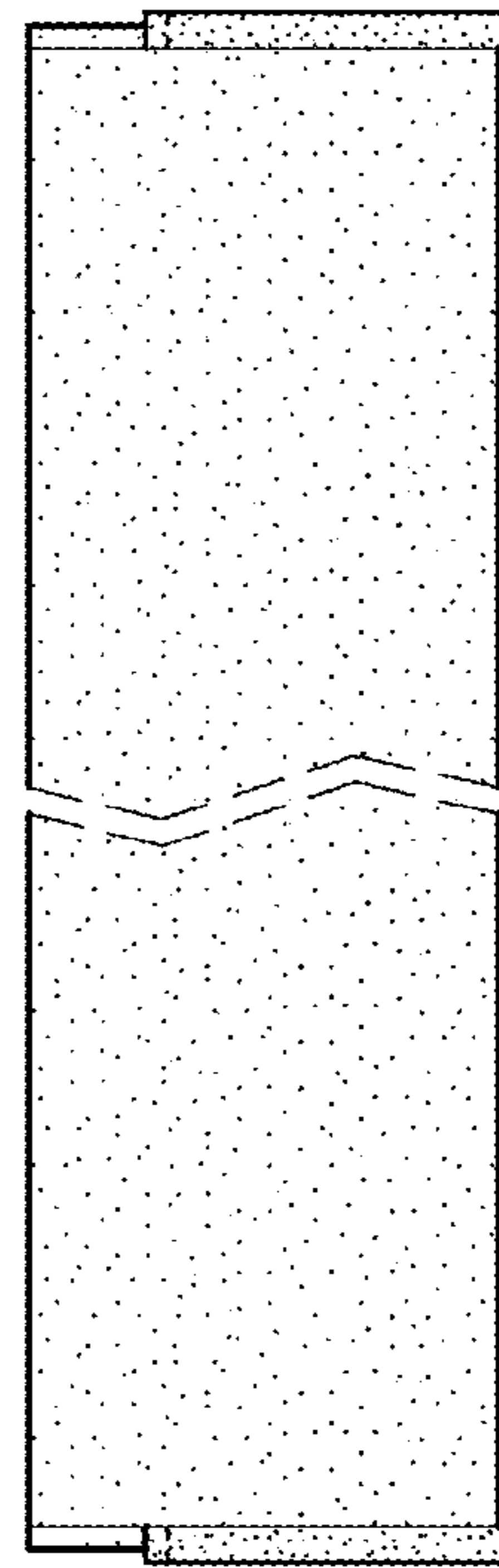


FIG. 10