



US00D983563S

(12) **United States Design Patent** (10) **Patent No.:** **US D983,563 S**
Li (45) **Date of Patent:** **** Apr. 18, 2023**

(54) **CERVICAL VERTEBRA MASSAGE PILLOW**

2015/0257555 A1* 9/2015 Wong A47C 7/383
5/636

(71) Applicant: **ShenZhen I Comfort Smart Technology, Co., Ltd, Guandong (CN)**

2018/0146807 A1* 5/2018 Silver A47G 9/1045
2020/0214452 A1* 7/2020 DuPré A47G 9/1081
2021/0353083 A1* 11/2021 Ali A47G 9/1045

(72) Inventor: **Chao Li, Guangdong (CN)**

(**) Term: **15 Years**

(21) Appl. No.: **29/777,881**

(22) Filed: **Apr. 8, 2021**

(51) **LOC (14) Cl.** **06-04**

(52) **U.S. Cl.**
USPC **D6/601**

(58) **Field of Classification Search**
USPC D6/595-601, 604, 606; D24/183, 190;
D21/803, 809
CPC A47A 20/00; A47A 20/021; A47D 15/001;
A47D 15/008; A47G 9/00; A47G 9/10;
A47C 7/742; A47C 7/021; A47C 27/00;
B62J 1/26

See application file for complete search history.

OTHER PUBLICATIONS

Cervical Massager, posted Jun. 7, 2022 [online], [retrieved Dec. 14, 2022]. Retrieved from internet, <https://www.dhgate.com/product/high-quality-health-care-rechargeable-cervical/527310476.html> (Year: 2022).*

* cited by examiner

Primary Examiner — Cynthia Ramirez
Assistant Examiner — Carrie A Matteoli

(57) **CLAIM**

The ornamental design for a cervical vertebra massage pillow, as shown and described.

(56) **References Cited**

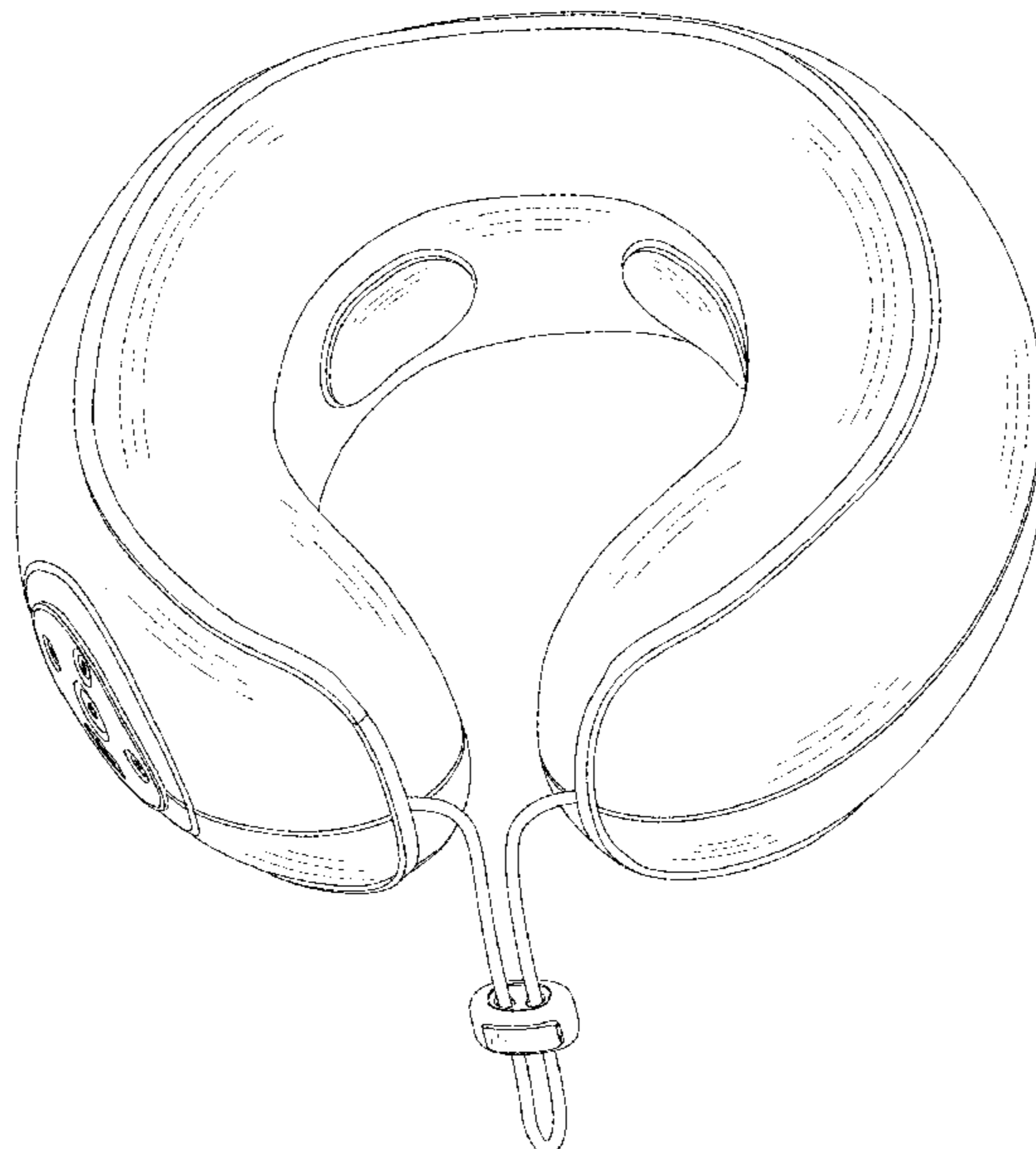
U.S. PATENT DOCUMENTS

5,778,469	A *	7/1998	Festa	A47G 9/10 5/636
D590,198	S *	4/2009	Nostrant	D6/601
8,144,913	B1 *	3/2012	Myles, Jr.	A47C 7/383 381/334
D821,115	S *	6/2018	Chen	D6/601
D875,438	S *	2/2020	Liu	D6/601
D899,818	S *	10/2020	Qu	D6/601
D906,734	S *	1/2021	Liang	D6/601
D923,360	S *	6/2021	Little	D6/601
D966,743	S *	10/2022	Liu	D6/601
2014/0310877	A1 *	10/2014	Sternlight	A47G 9/02 5/639
2015/0257554	A1 *	9/2015	Ross	A47G 9/0215 5/639

DESCRIPTION

FIG. 1 is a top view of a cervical vertebra massage pillow; FIG. 2 is a bottom view of the cervical vertebra massage pillow; FIG. 3 is a left side view of the cervical vertebra massage pillow; FIG. 4 is a right side view of the cervical vertebra massage pillow; FIG. 5 is a top view of the cervical vertebra massage pillow; FIG. 6 is a bottom view of the cervical vertebra massage pillow; and, FIG. 7 is a perspective view of the cervical vertebra massage pillow.

1 Claim, 7 Drawing Sheets



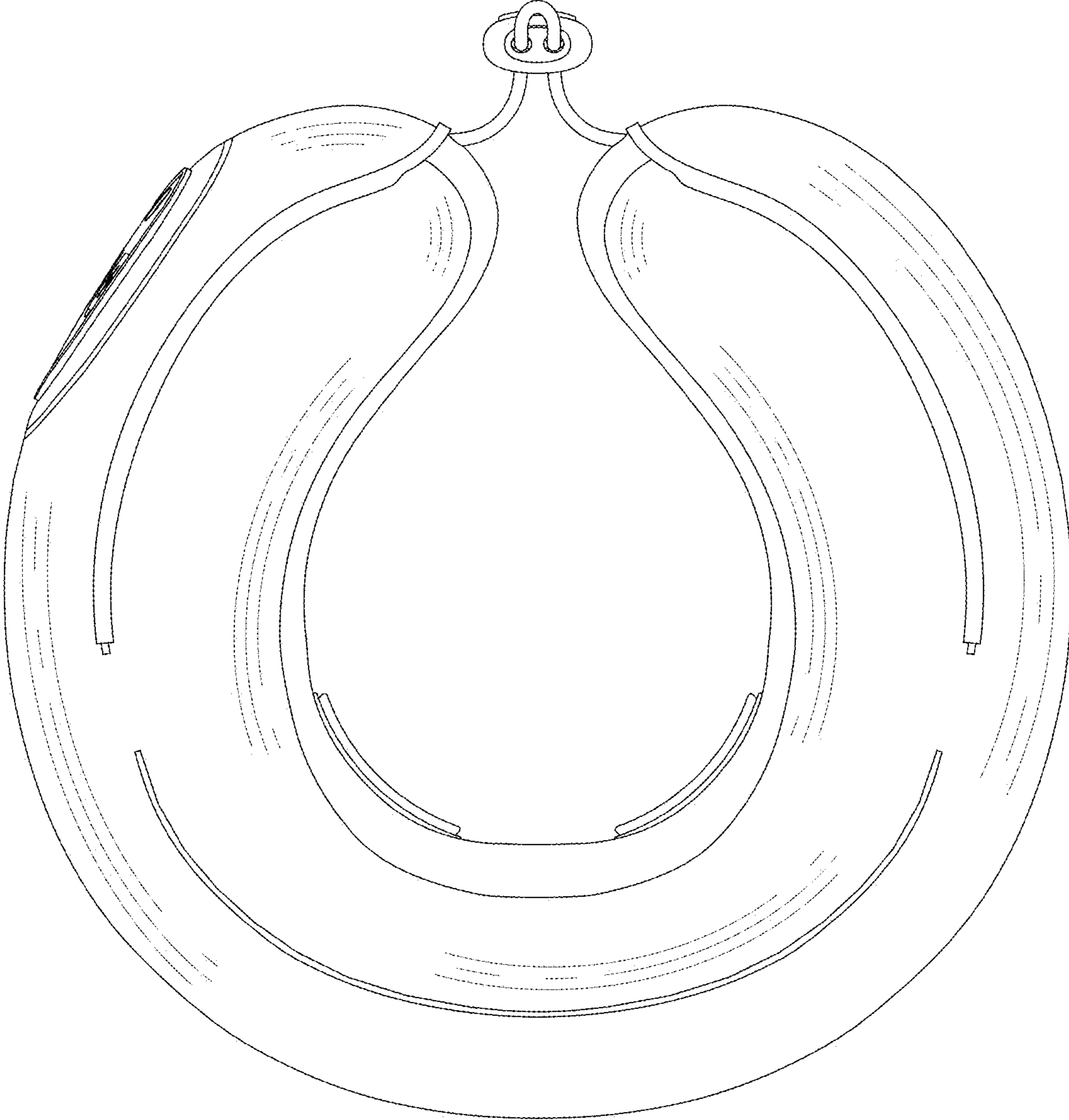


FIG 1

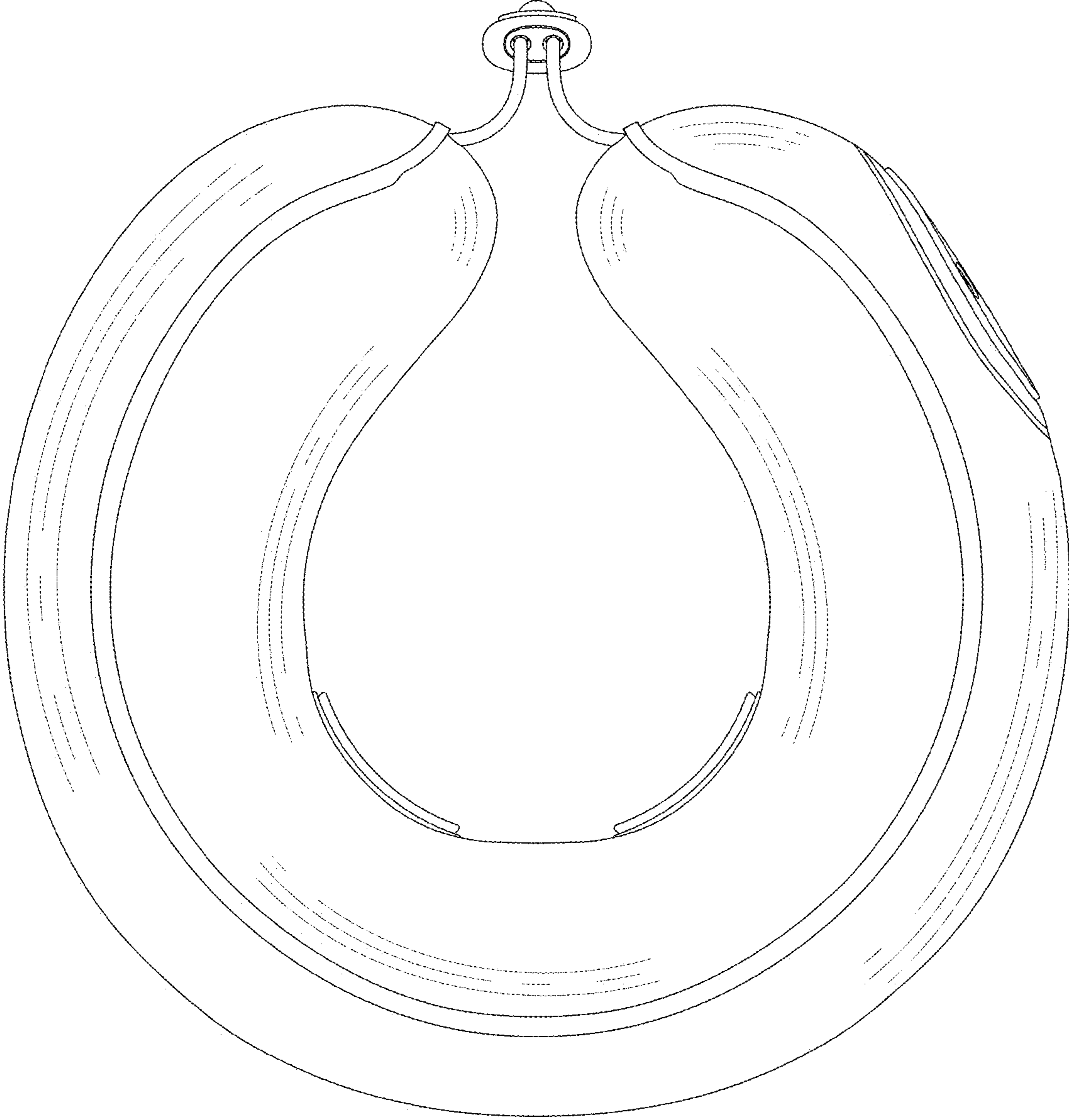


FIG 2

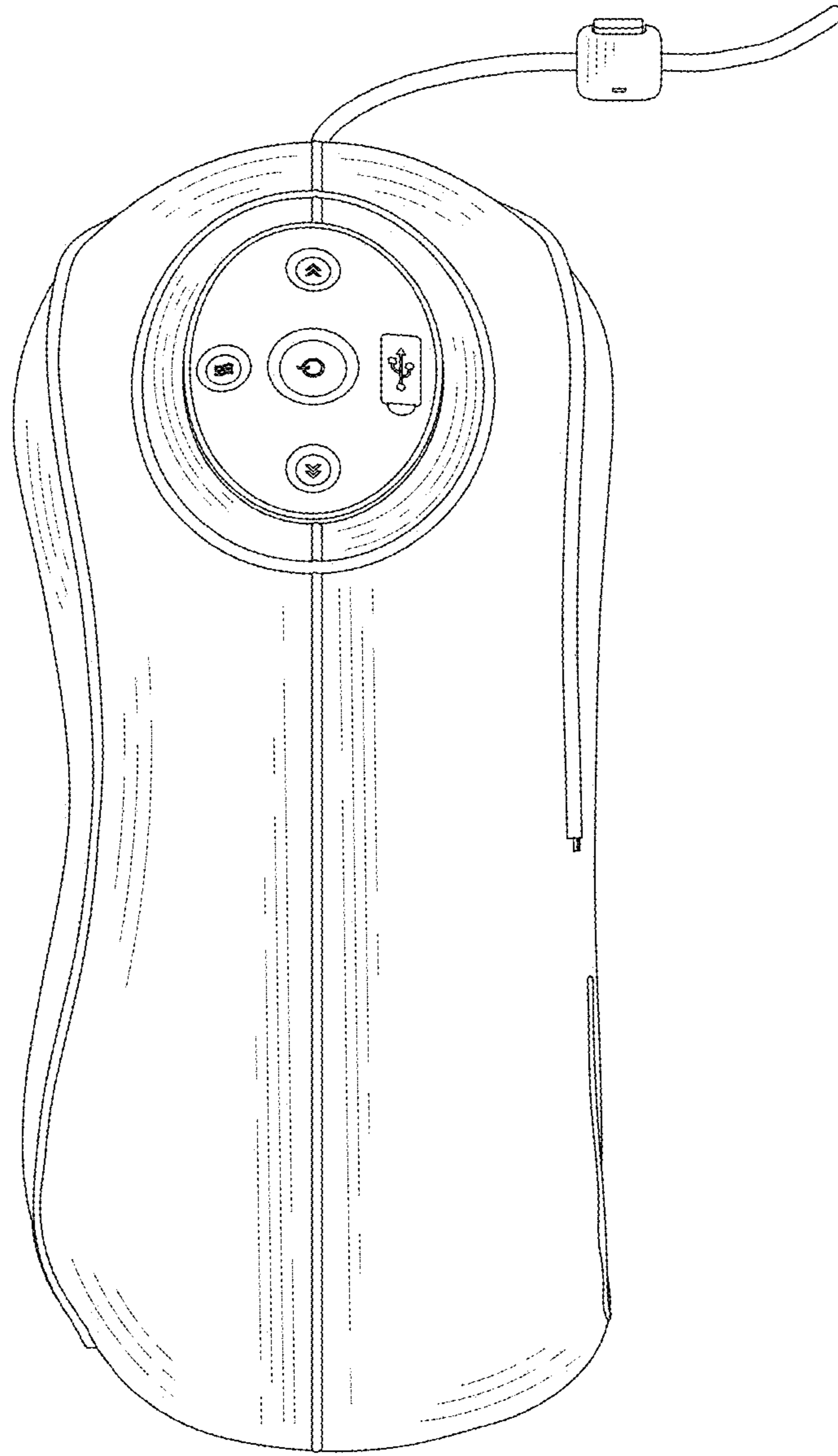


FIG 3

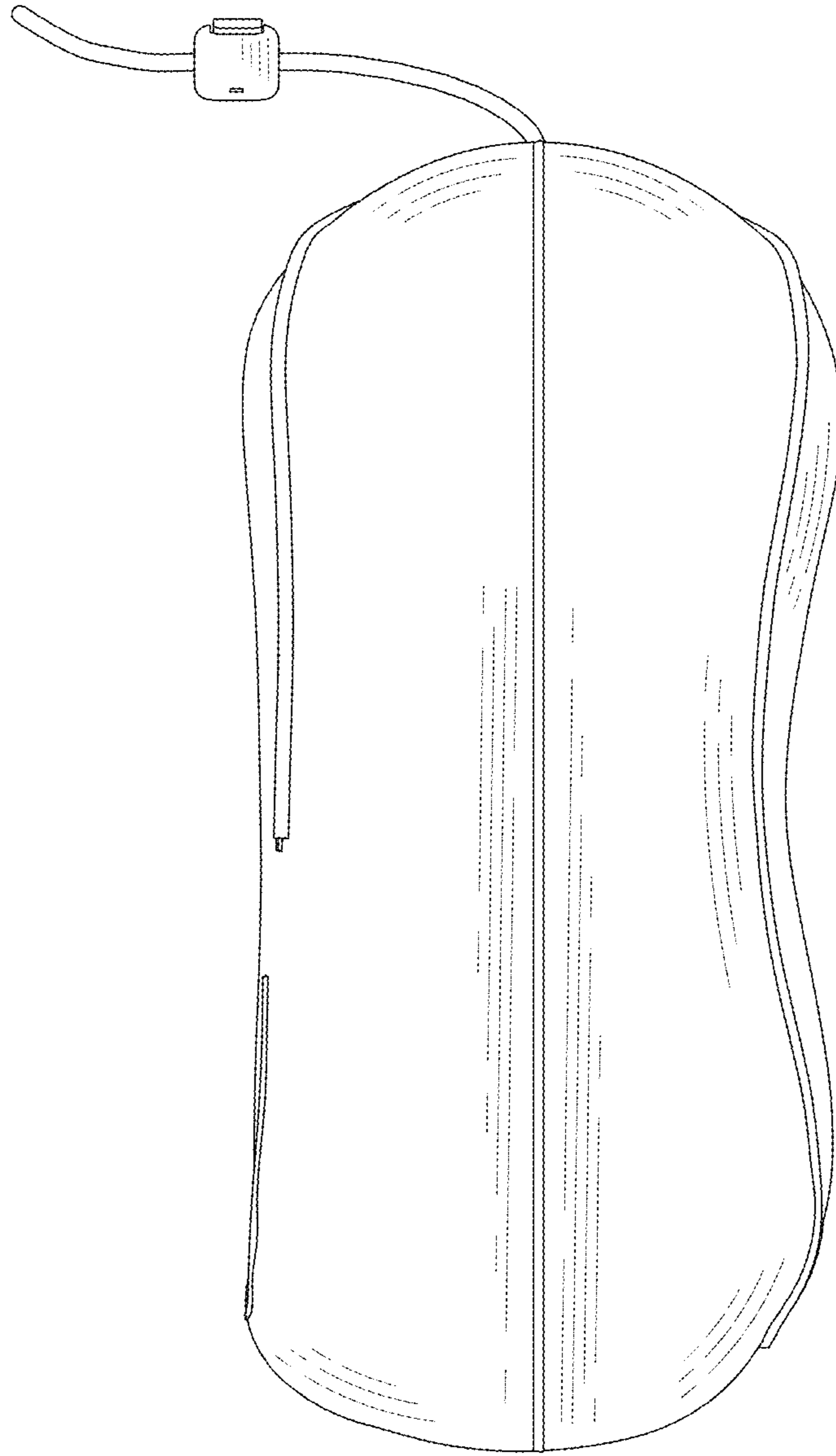


FIG 4

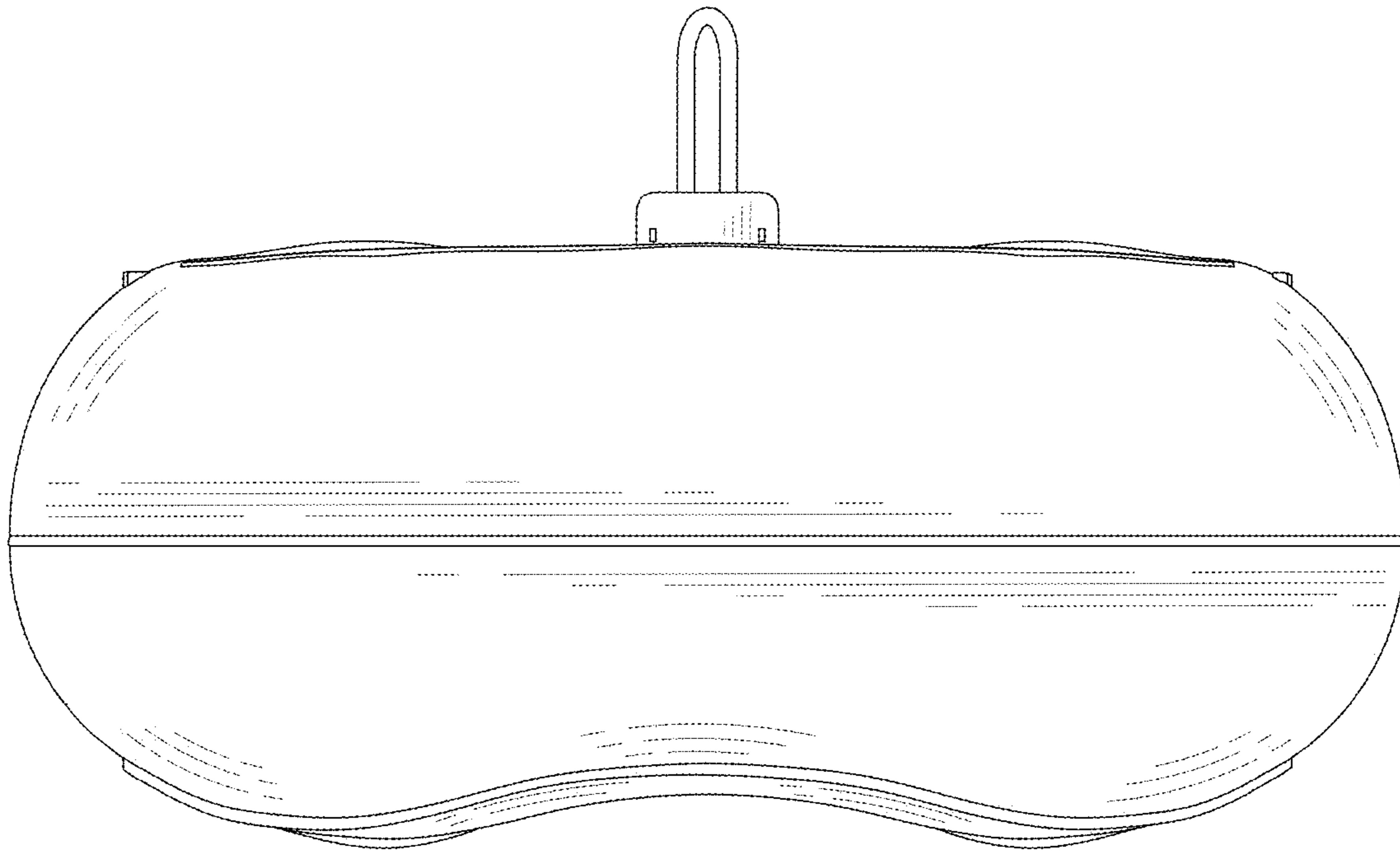


FIG 5

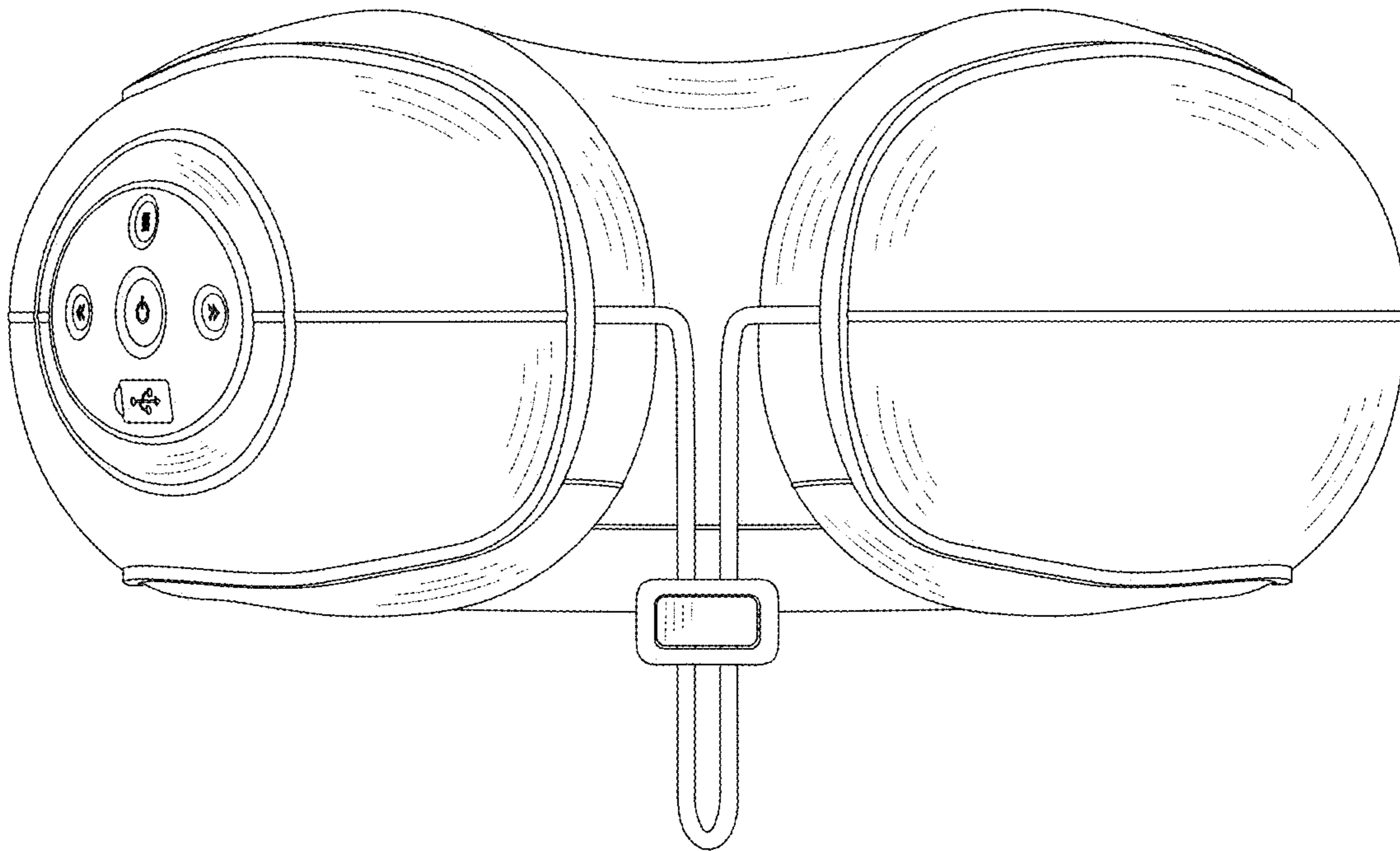


FIG 6

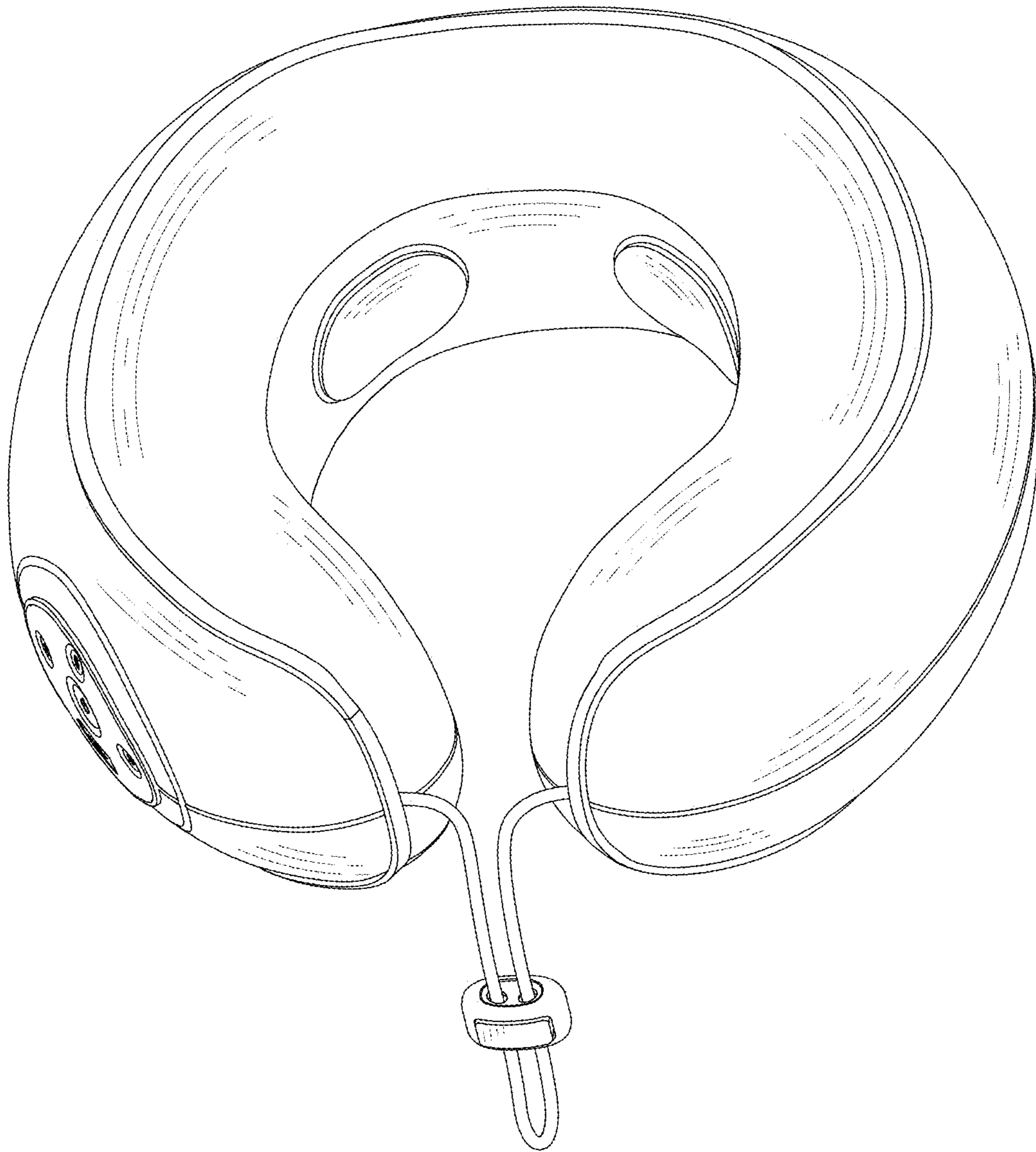


FIG 7