



US00D983562S

(12) **United States Design Patent**  
**Hendifar**

(10) **Patent No.:** **US D983,562 S**  
(45) **Date of Patent:** **\*\* Apr. 18, 2023**

(54) **MODULAR RUG ASSEMBLY**

(71) Applicant: **Apparatus LLC**, New York, NY (US)

(72) Inventor: **Gabriel Hendifar**, New York, NY (US)

(73) Assignee: **Apparatus LLC**, New York, NY (US)

(\*\*) Term: **15 Years**

(21) Appl. No.: **29/652,972**

(22) Filed: **Jan. 27, 2021**

(51) **LOC (14) Cl.** ..... **06-11**

(52) **U.S. Cl.**

USPC ..... **D6/587**; D6/582

(58) **Field of Classification Search**

USPC ..... D6/582-584, 586-588, 592; D21/792

(Continued)

(56) **References Cited**

**U.S. PATENT DOCUMENTS**

2,254,623 A \* 9/1941 Porter ..... A47G 27/0431  
16/17.1

3,513,491 A \* 5/1970 Gordon ..... A47C 27/00  
5/420

(Continued)

**OTHER PUBLICATIONS**

Pei-Ru Keh; Apparatus' new LA showroom channels the spirit of Giorgio de Chirico paintings; Wallpaper; <https://www.wallpaper.com/design/apparatus-los-angeles-showroom>; Wallpaper; Design; Nov. 27, 2018.

(Continued)

*Primary Examiner* — Kevin K Rudzinski

*Assistant Examiner* — Clare Ann Gannon

(74) *Attorney, Agent, or Firm* — Gottlieb, Rackman & Reisman

(57) **CLAIM**

The ornamental design for a modular rug assembly, as shown and described.

**DESCRIPTION**

FIG. 1 is a top perspective view of a modular rug assembly showing my new design;

FIG. 2 is a bottom perspective view thereof;

FIG. 3 is a left side elevational view thereof;

FIG. 4 is a right side elevational view thereof;

FIG. 5 is a front elevational view thereof;

FIG. 6 is a rear elevational view thereof;

FIG. 7 is a top plan view thereof;

FIG. 8 is a bottom plan view thereof;

FIG. 9 is a top perspective view of an enlarged portion of FIG. 1;

FIG. 10 is a bottom perspective view of an enlarged portion of FIG. 2;

FIG. 11 is a side elevation view of an enlarged portion of FIG. 3;

FIG. 12 is a top perspective view of an alternative embodiment of a modular rug assembly showing my new design;

FIG. 13 is a bottom perspective view thereof;

FIG. 14 is a left side elevational view thereof;

FIG. 15 is right side elevational view thereof;

FIG. 16 is a front elevational view thereof;

FIG. 17 is a rear elevational view thereof;

FIG. 18 is a top plan view thereof;

FIG. 19 is a bottom plan view thereof;

FIG. 20 is a top perspective view of an enlarged portion of FIG. 12;

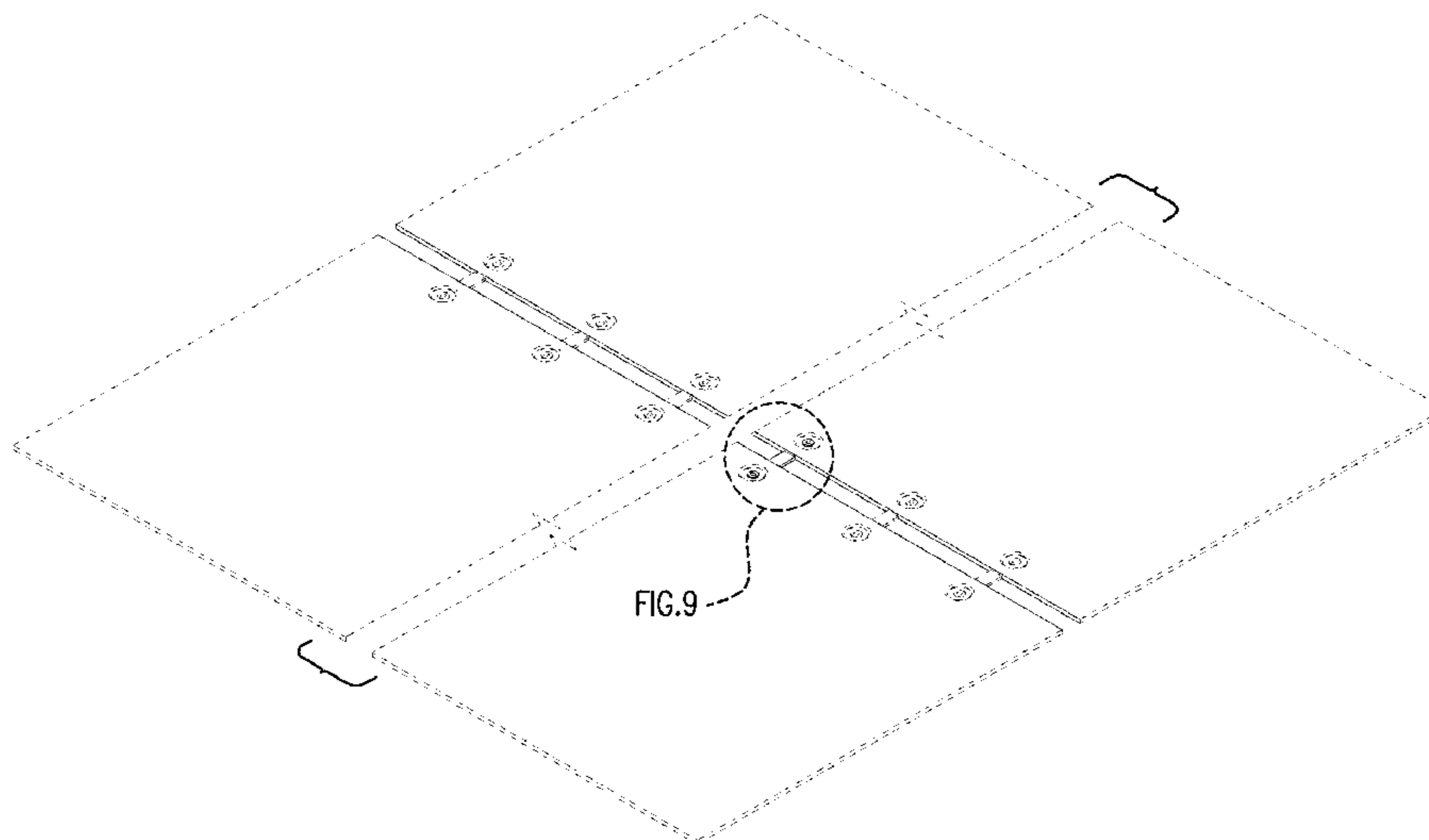
FIG. 21 is a bottom perspective view of an enlarged portion of FIG. 13; and,

FIG. 22 is a side elevation view of an enlarged portion of FIG. 14.

The broken lines shown in the drawings are included for the purpose of illustrating elements of the modular rug assembly that form no part of the claimed design.

The break lines shown in FIGS. 1-2 and 5-8 symbolize breaks in the length of the article in which the claimed design is embodied. The appearance of any portion of the article between the break lines forms no part of the claimed design.

**1 Claim, 18 Drawing Sheets**



(58) **Field of Classification Search**

CPC ..... A47G 27/0206; A47G 27/0212; A47G 27/0218; A47G 27/0225; A47G 27/0237; A47G 27/025; A47G 27/0281; A47G 27/0468; A47G 9/062; A62B 6/00; A62B 21/4037; A47K 3/002; A47K 3/003; A47L 19/00; A47L 19/02

See application file for complete search history.

(56) **References Cited**

U.S. PATENT DOCUMENTS

3,526,911 A \* 9/1970 Hans ..... A63C 19/04 428/33  
D740,051 S \* 10/2015 Jalbert ..... A63B 6/00 D6/582  
D762,399 S \* 8/2016 Sorrick ..... A47G 27/025 D6/582  
D904,792 S \* 12/2020 Turner ..... D6/582  
D928,531 S \* 8/2021 Twichel ..... E05D 1/02 D6/585

11,131,102 B1 \* 9/2021 Hendifar ..... A47G 27/025  
11,285,359 B1 \* 3/2022 Bartolomei ..... A63B 21/00047  
2007/0044236 A1 \* 3/2007 Tatsuno ..... A47G 9/062 5/413 R  
2009/0110867 A1 \* 4/2009 Feng Shen ..... A63B 6/00 428/317.1  
2009/0311447 A1 \* 12/2009 Gold ..... A47G 27/0206 428/12  
2020/0008600 A1 \* 1/2020 Bing ..... B32B 3/30  
2020/0405064 A1 \* 12/2020 Jones ..... A47C 27/085  
2022/0001231 A1 \* 1/2022 Fiducia ..... A63B 21/4037  
2022/0008279 A1 \* 1/2022 Conrad ..... A61G 15/002

OTHER PUBLICATIONS

Nicole Anderson; 8 Salon Art + Design 2019 Standouts; <https://www.architecturaldigest.com/story/8-salon-art-design-2019-standouts>; Architectural Digest; Design 2019 Standouts; Nov. 16, 2019.

\* cited by examiner

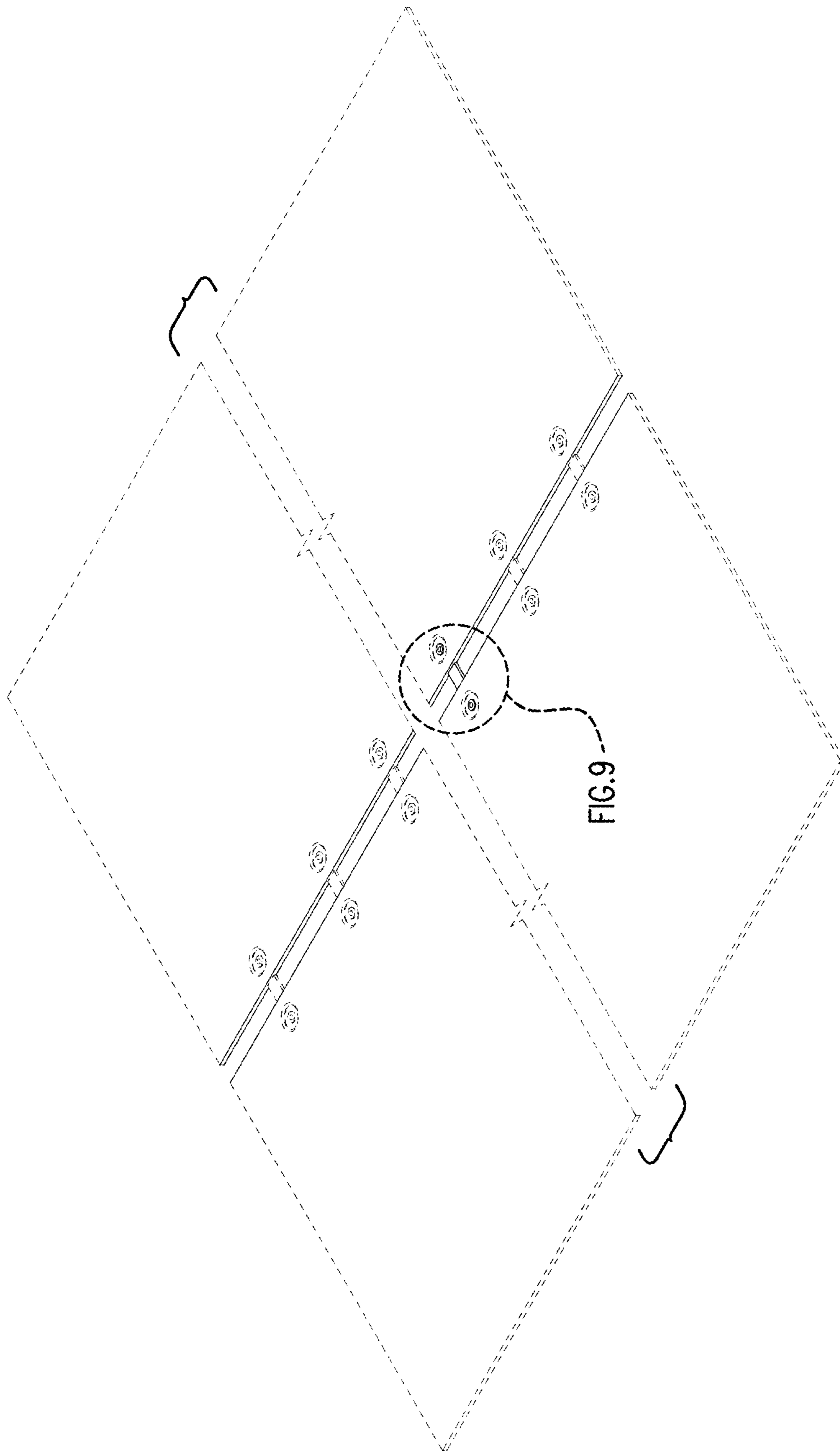


FIG.1

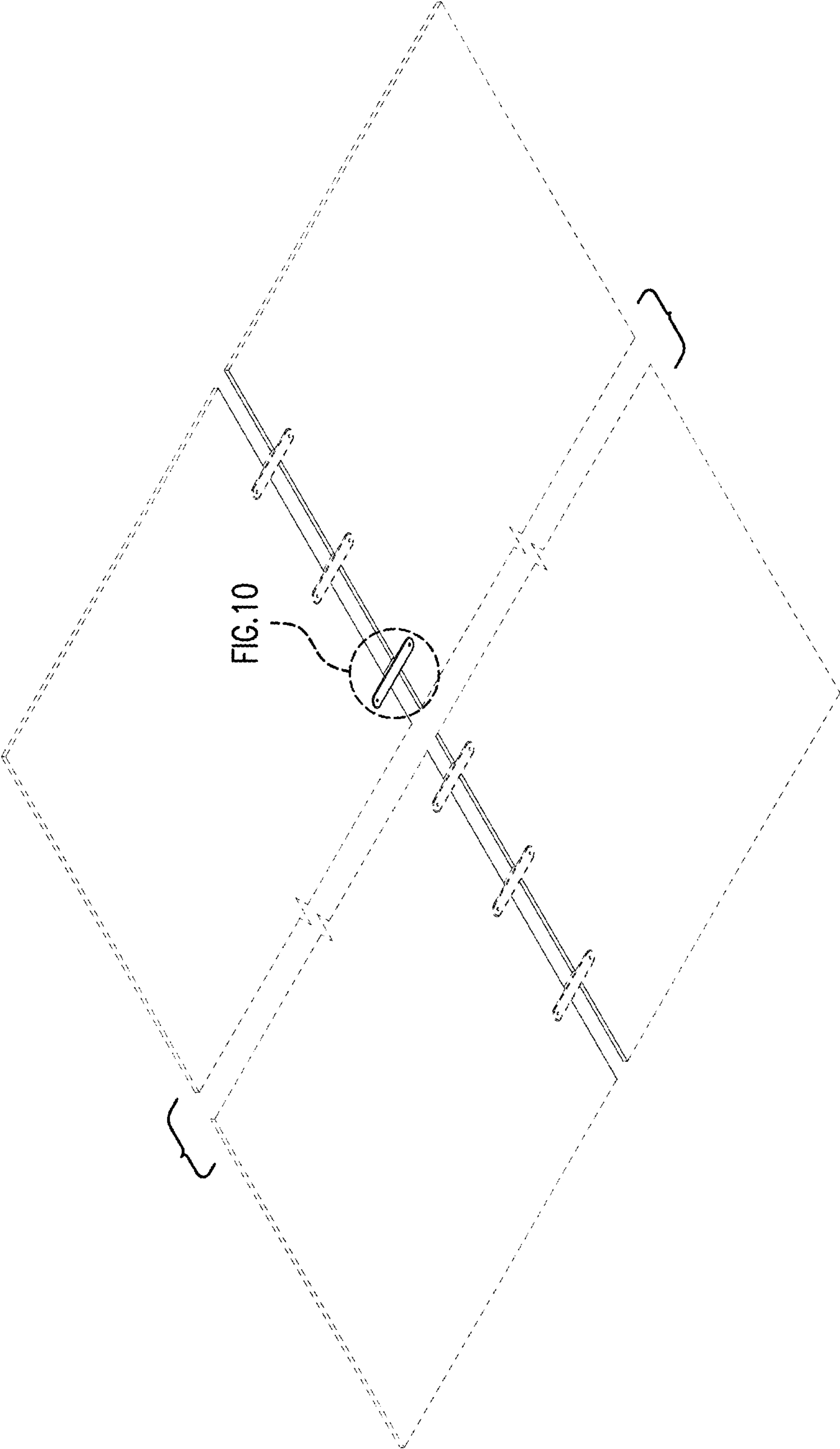


FIG.2

FIG.11

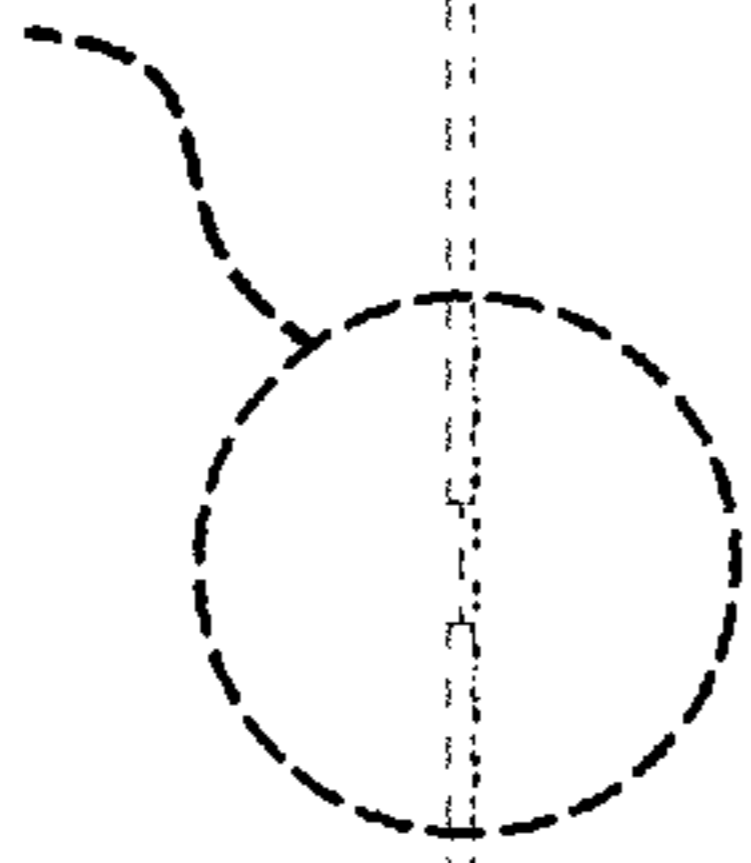


FIG.3

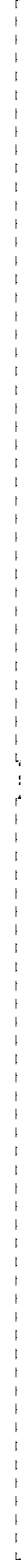


FIG.4

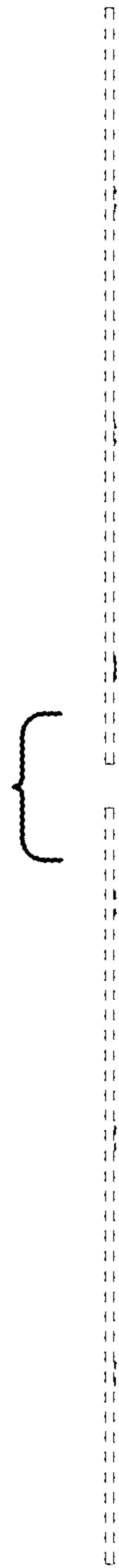


FIG. 5

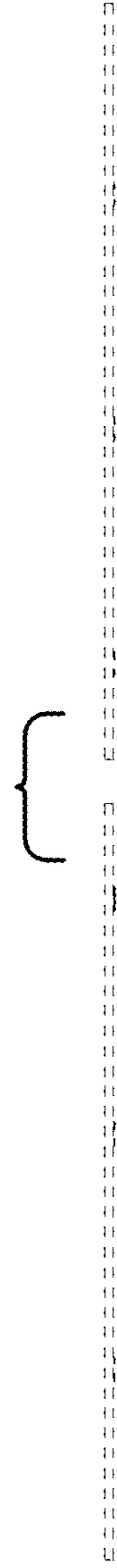


FIG. 6

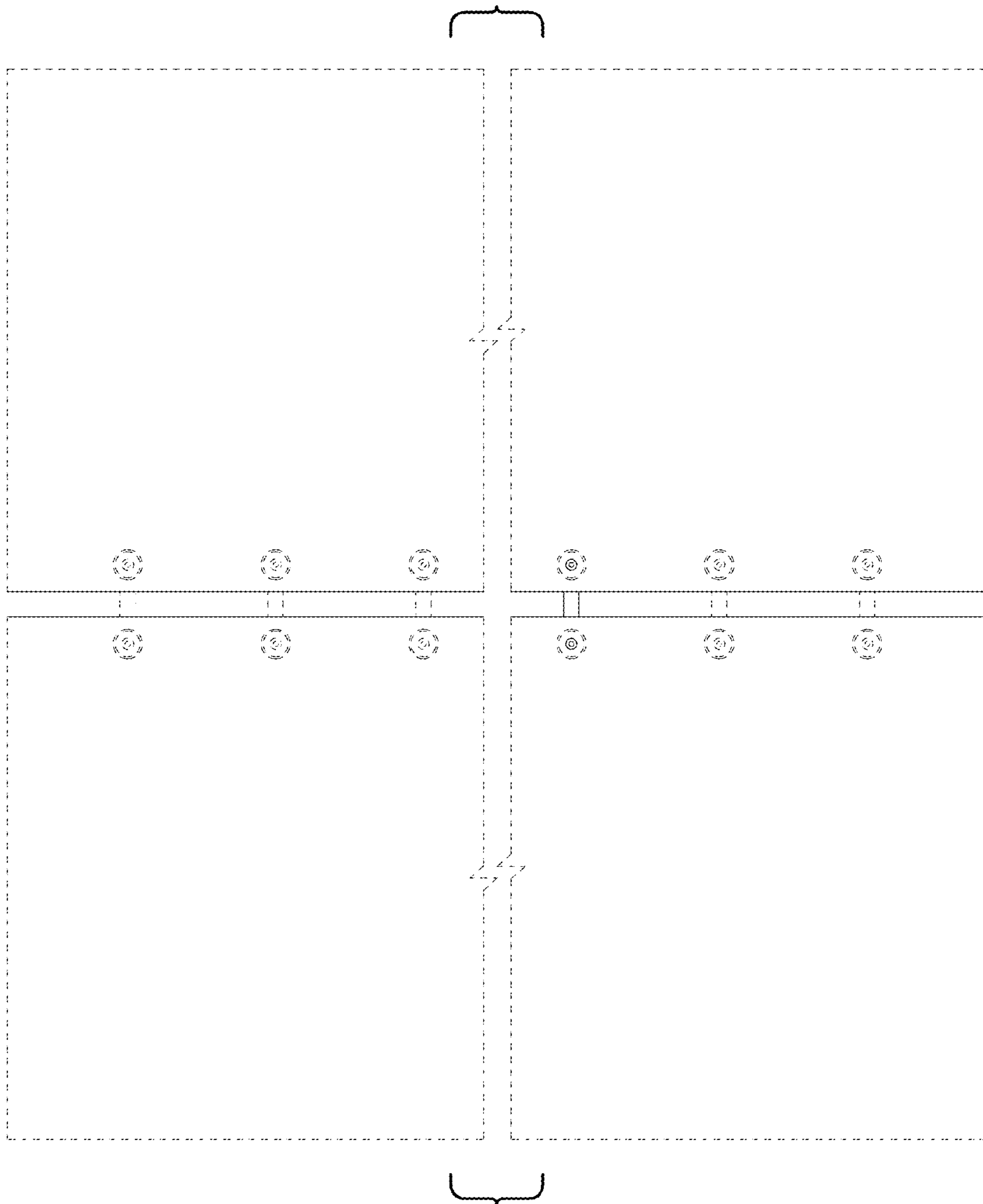


FIG. 7

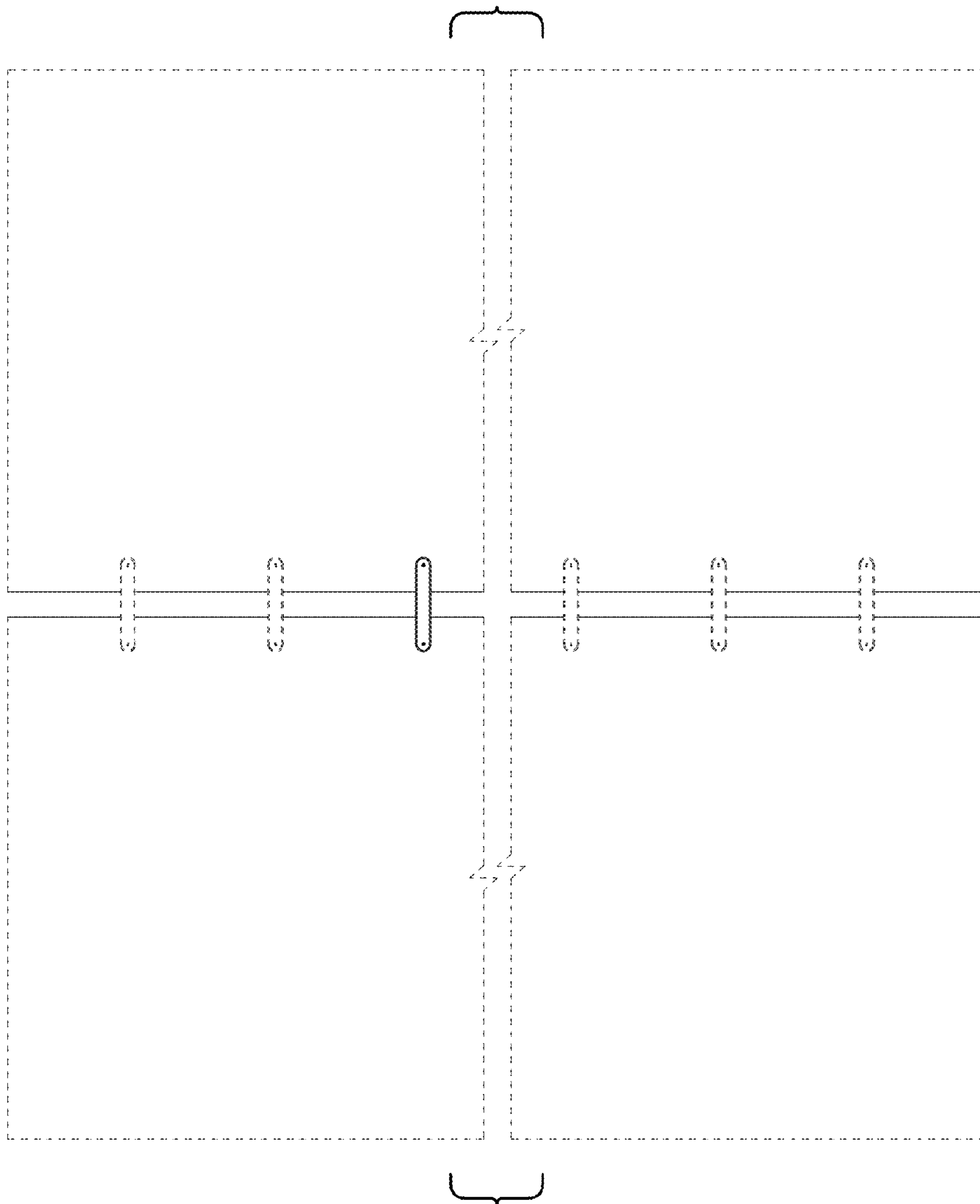


FIG. 8



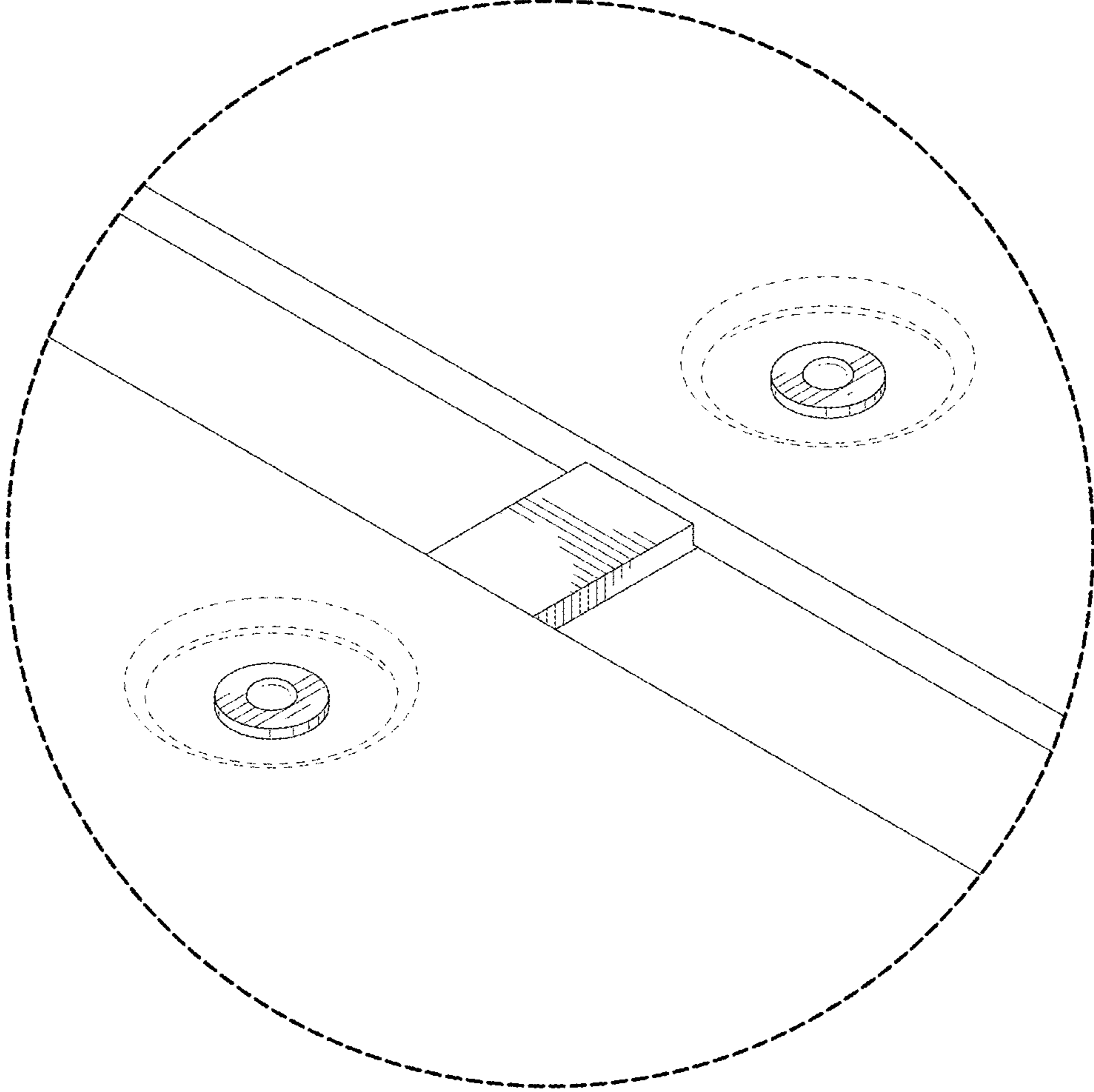


FIG.9

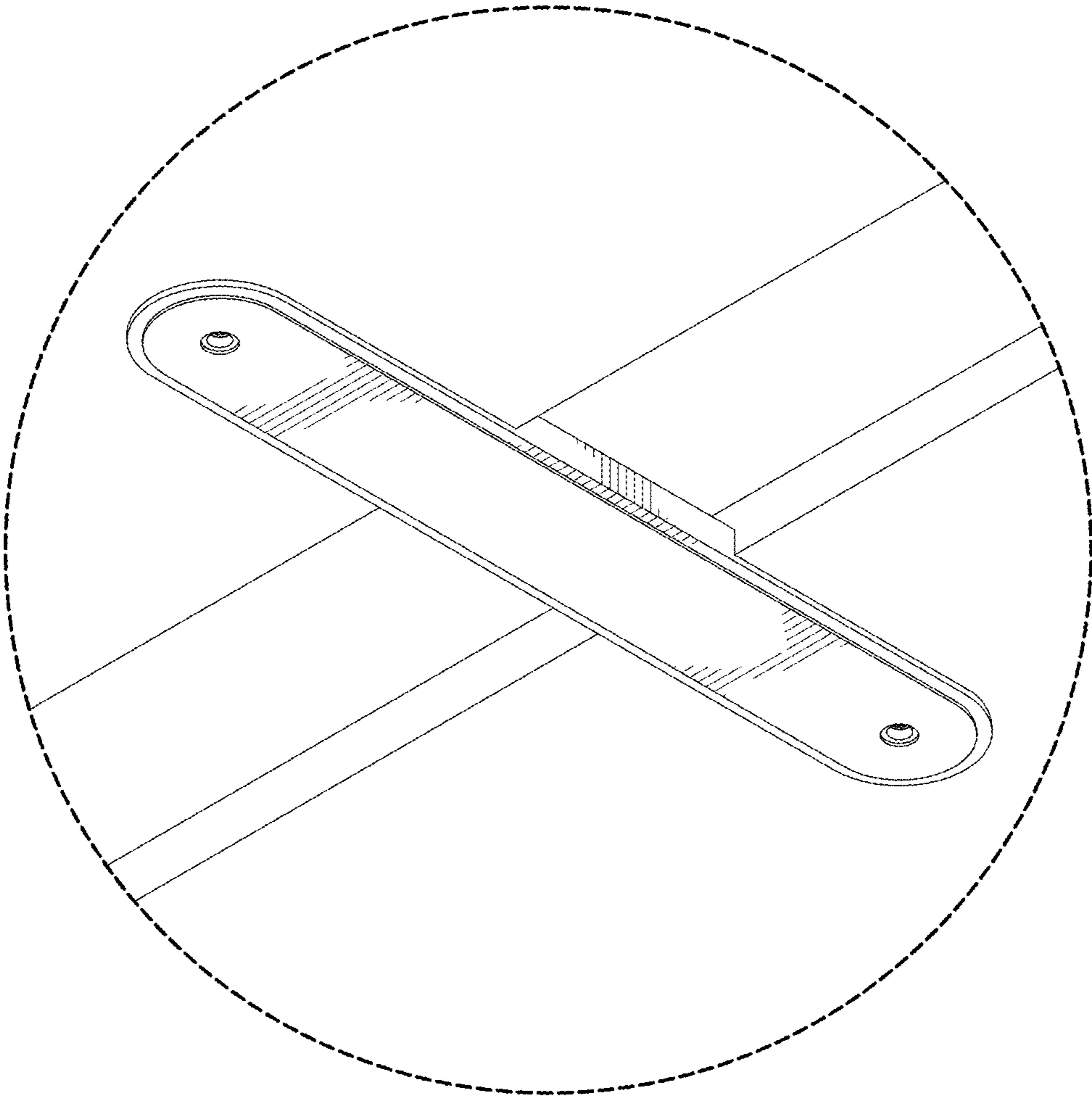


FIG. 10

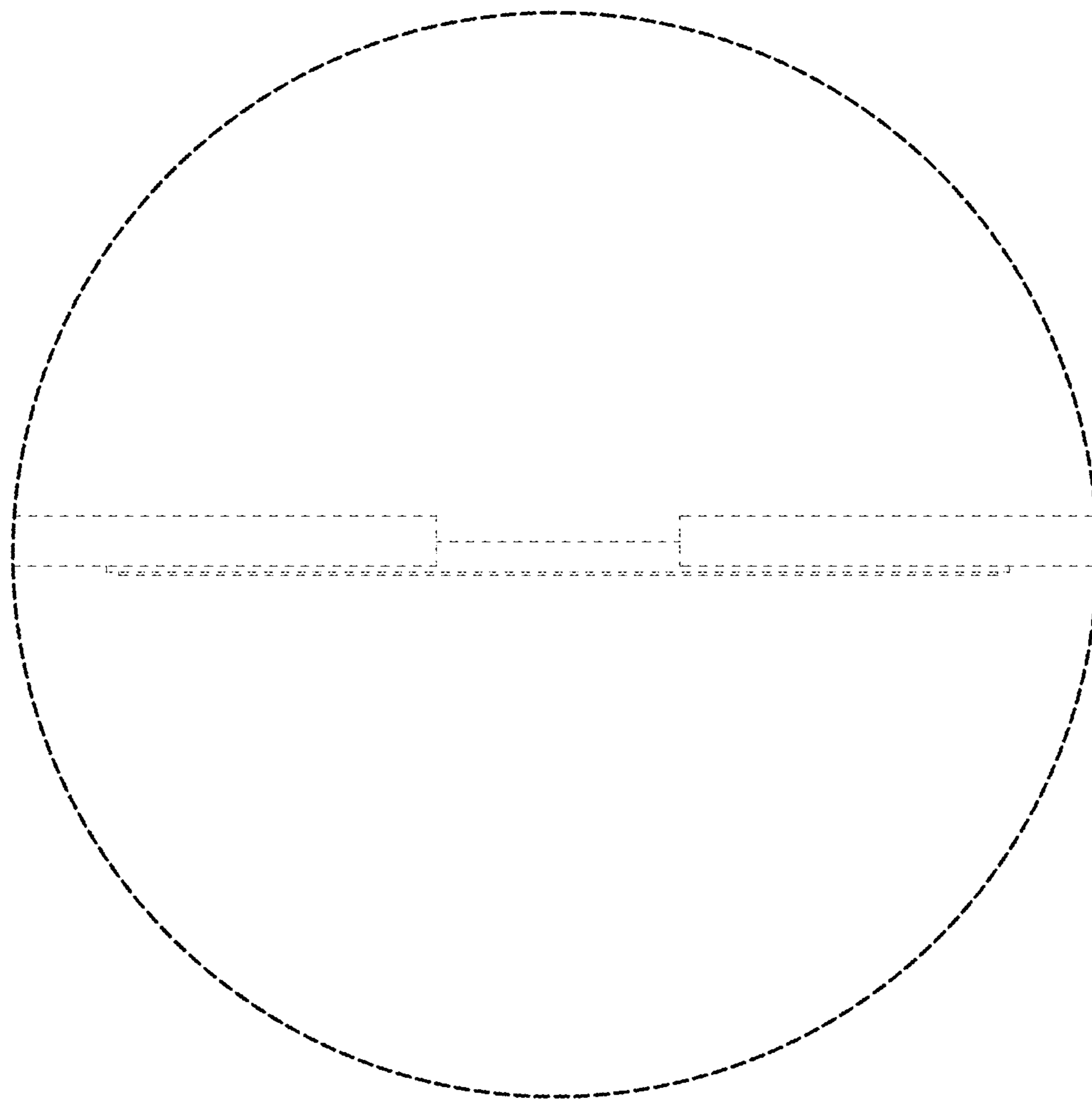


FIG. 11

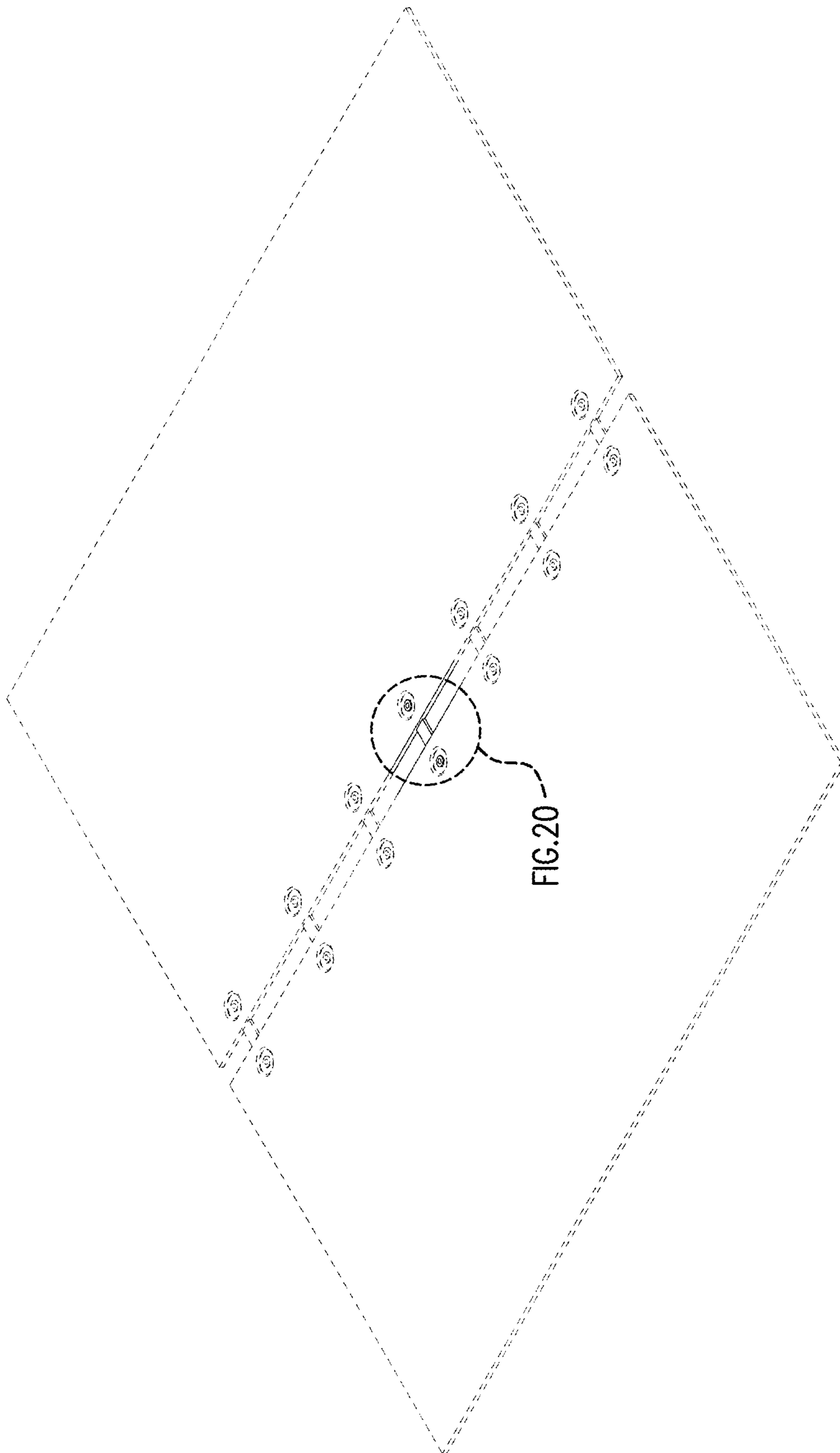


FIG.12

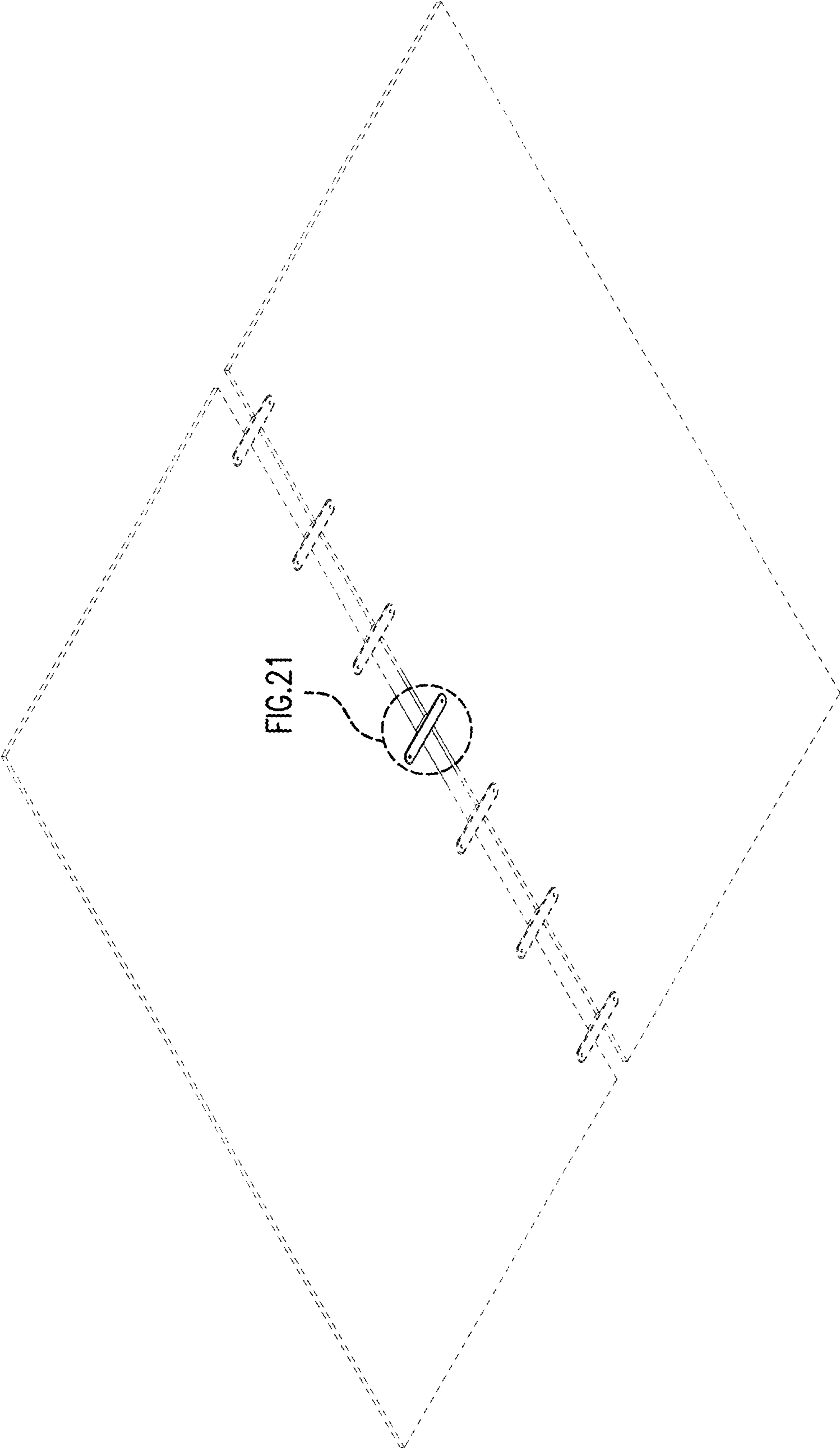


FIG.13

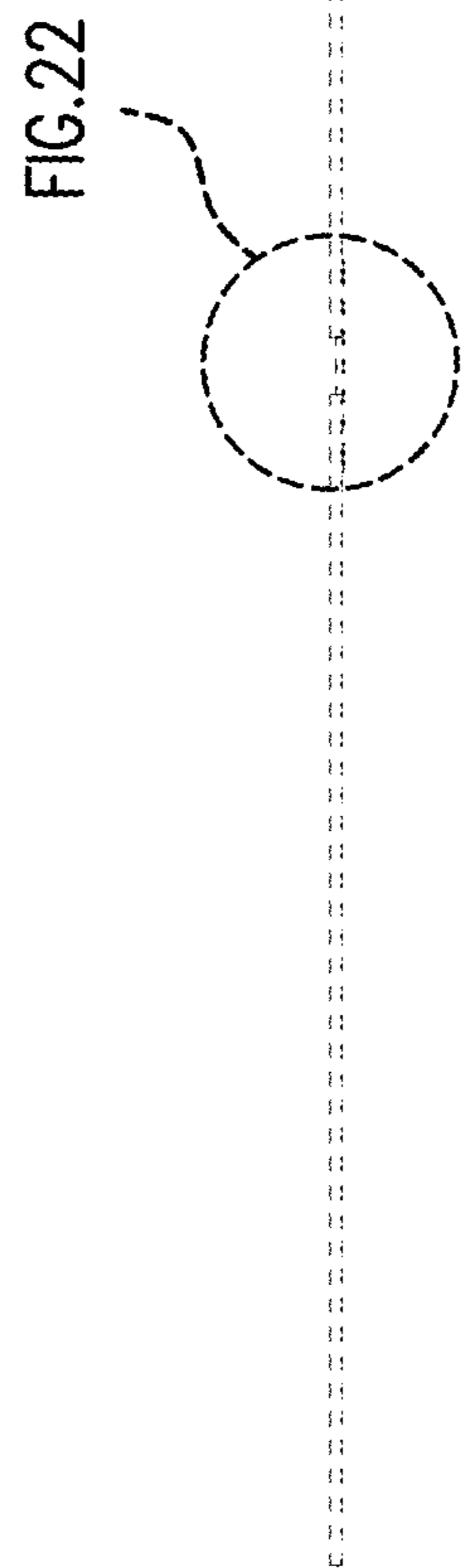


FIG. 14

FIG. 15



FIG. 16



FIG. 17

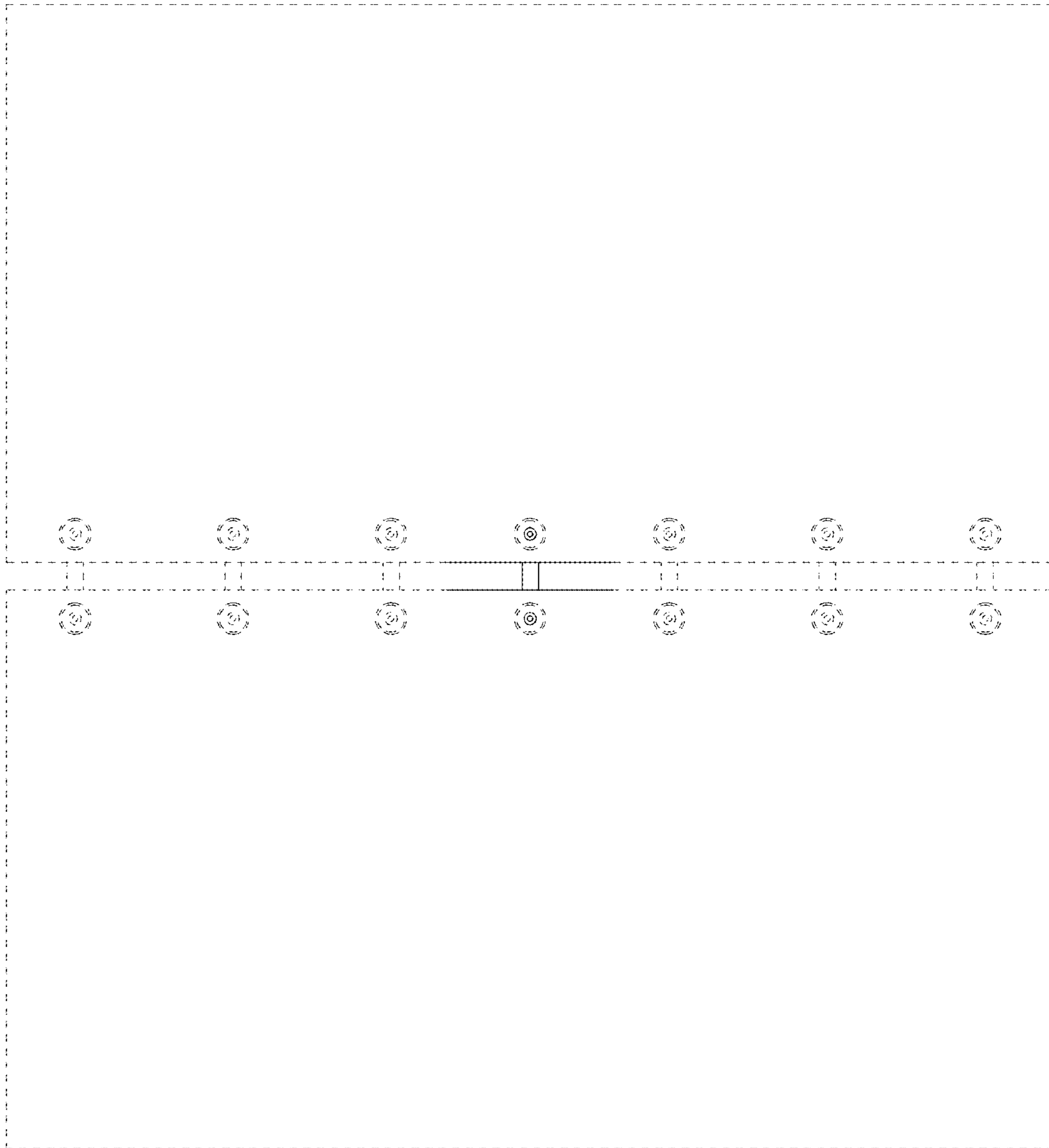


FIG. 18



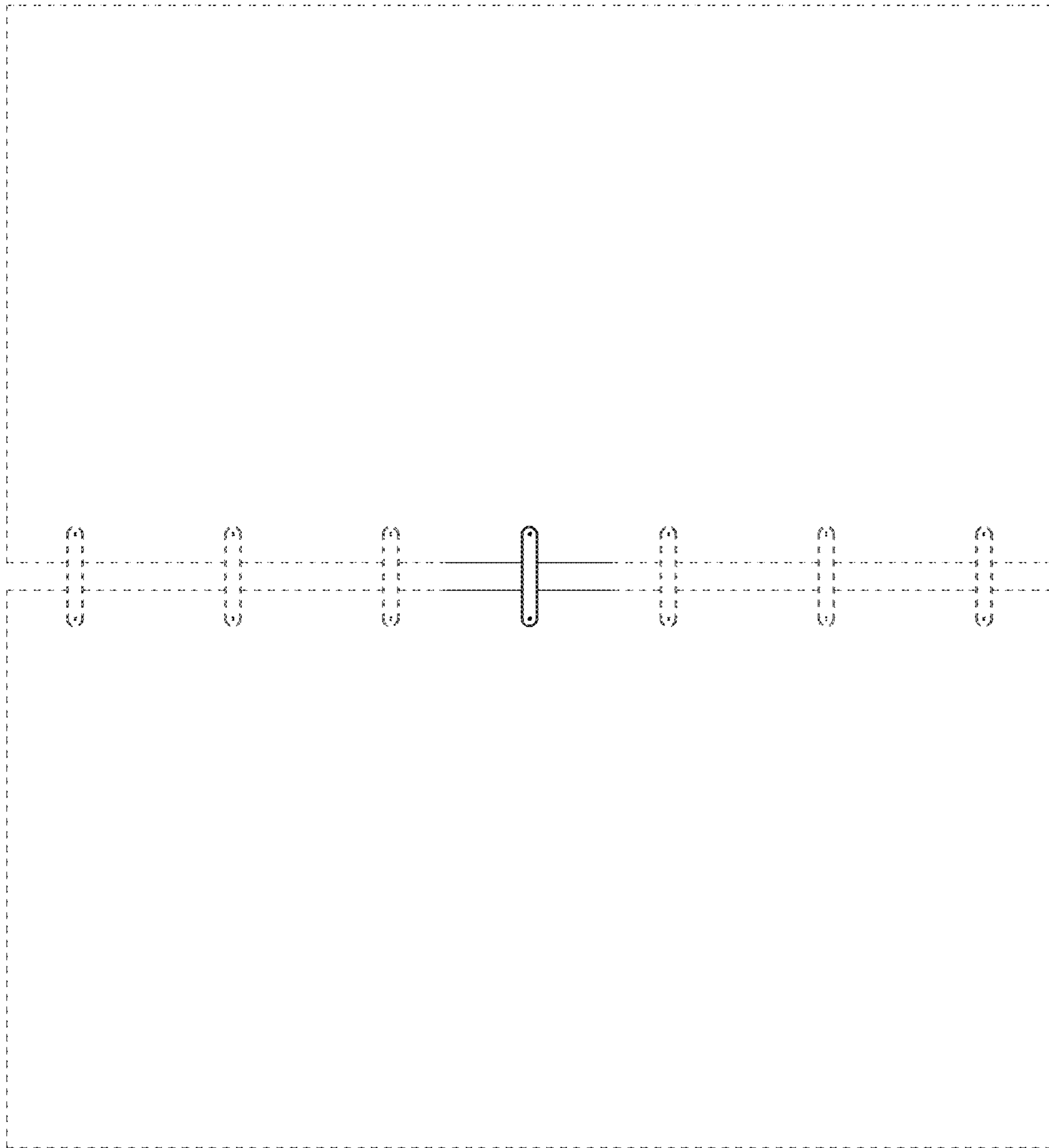


FIG. 19

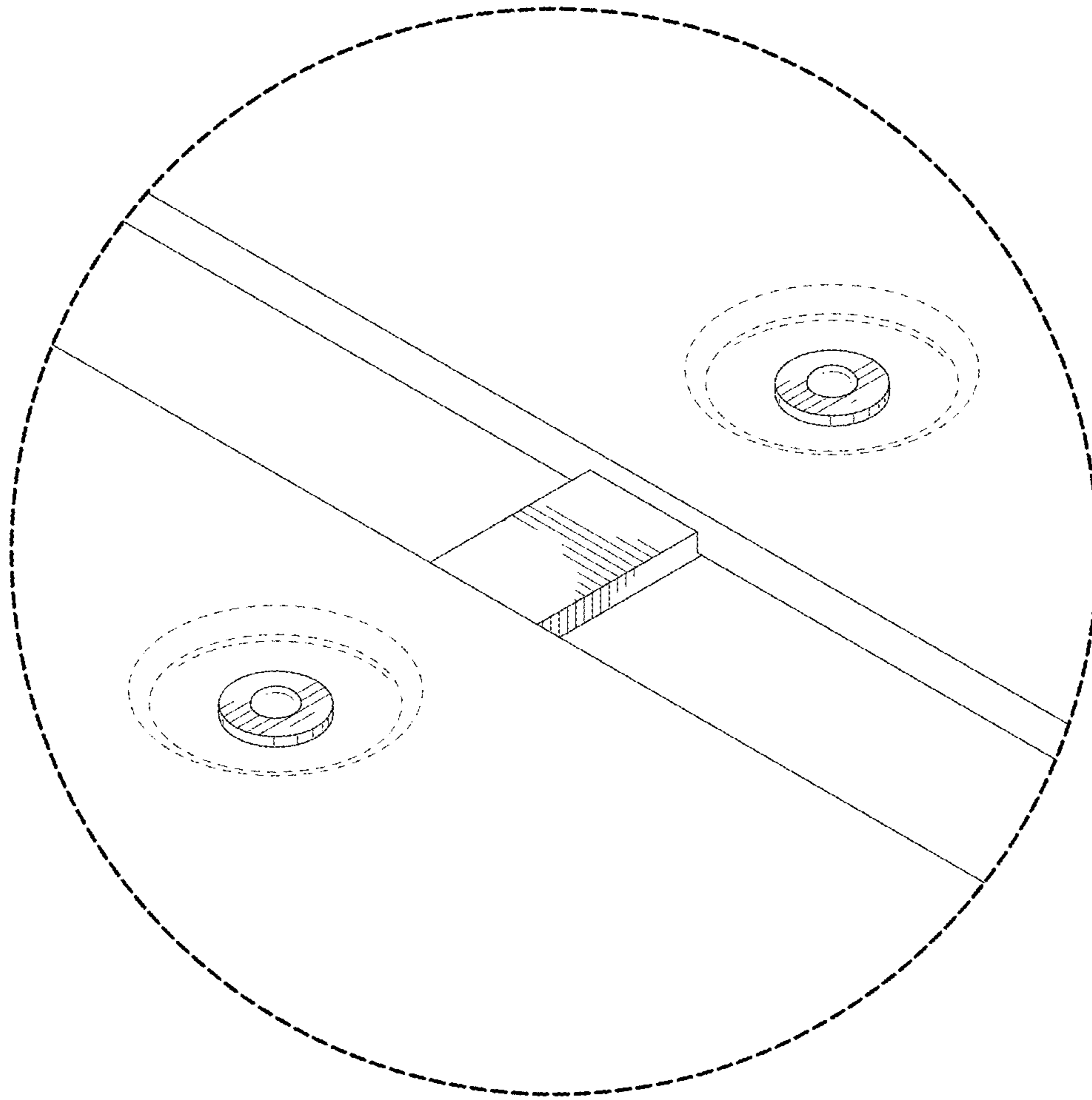


FIG. 20

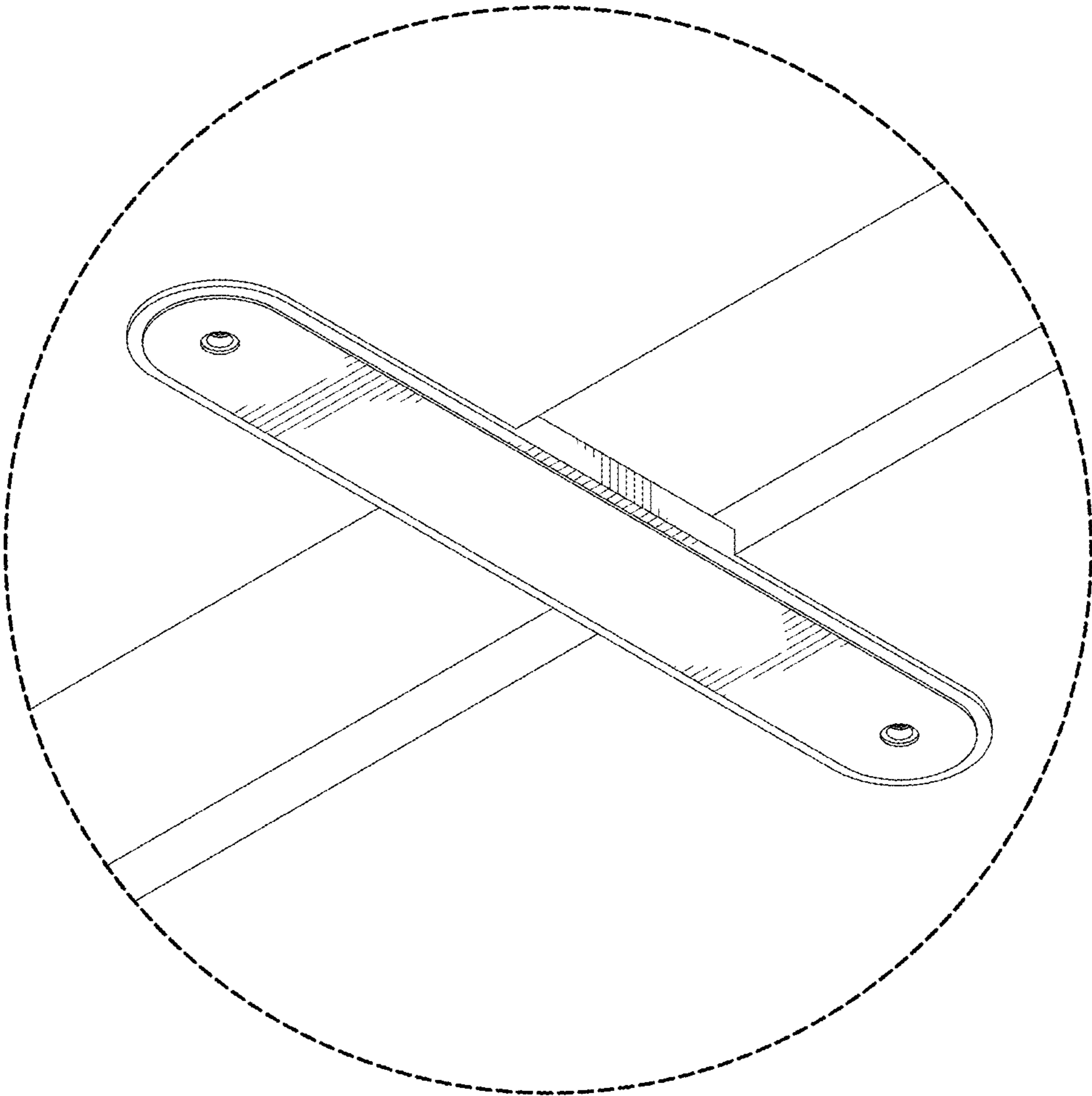


FIG.21

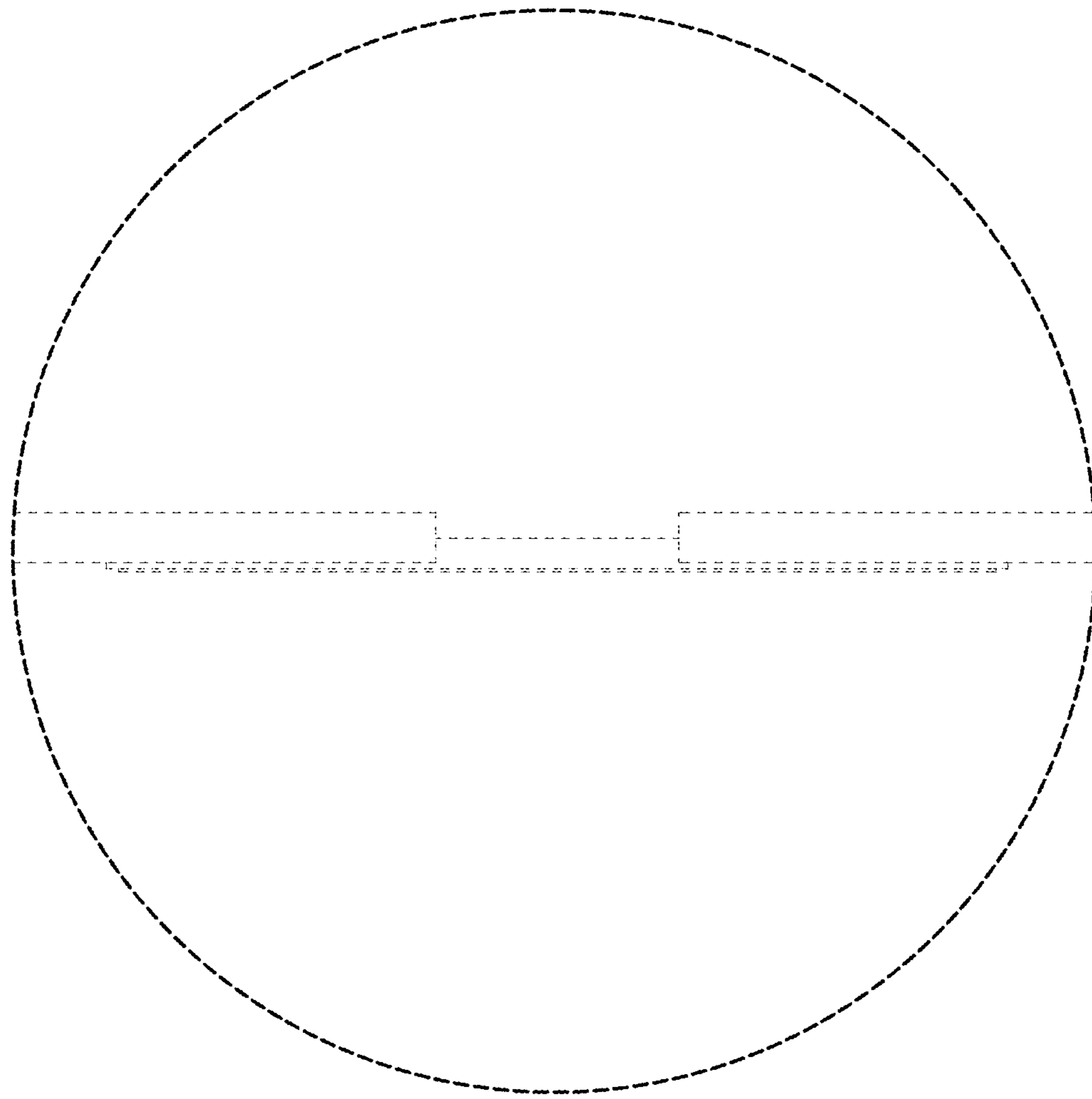


FIG.22