



US00D983561S

(12) **United States Design Patent** (10) **Patent No.:** **US D983,561 S**  
**Mo** (45) **Date of Patent:** **\*\* Apr. 18, 2023**

(54) **HANGING RACK**

(71) Applicant: **Zejian Mo**, Wuzhou (CN)

(72) Inventor: **Zejian Mo**, Wuzhou (CN)

(\*\*) Term: **15 Years**

(21) Appl. No.: **29/865,517**

(22) Filed: **Jul. 29, 2022**

(51) **LOC (14) Cl.** ..... **06-04**

(52) **U.S. Cl.**  
USPC ..... **D6/567**

(58) **Field of Classification Search**

USPC ..... D6/567, 546-550, 512-525; 211/13.1,  
211/16, 85.5, 86.01, 87.01, 88.04, 100,  
211/105.1, 105.2, 106, 113, 123, 181.1,  
211/182-183; 248/49, 175, 176.1, 200,  
248/201, 205.1, 251, 302, 309.1, 315;  
D8/300, 315-321, 354, 363, 373, 380;  
108/28-29; 242/570, 590, 595-598;  
D25/45

CPC ..... A01N 59/00; A01N 25/04; A01N 25/24;  
D06F 39/12; G06Q 10/087

See application file for complete search history.

(56) **References Cited**

**U.S. PATENT DOCUMENTS**

D29,333 S \* 9/1898 Seymour ..... D8/DIG. 1  
1,071,877 A \* 9/1913 Cash ..... A47H 13/04  
211/105.2  
2,643,775 A \* 6/1953 Franklin ..... A47G 25/74  
211/85.3  
2,679,373 A \* 5/1954 Henley ..... A47H 1/142  
248/262  
D239,798 S \* 5/1976 Vrignaud ..... D8/316  
D251,785 S \* 5/1979 Abernathy ..... D14/239  
D285,647 S \* 9/1986 Sachs ..... 174/41  
D310,147 S \* 8/1990 Aaron ..... D6/567  
D329,346 S \* 9/1992 McKeone ..... D6/549

D474,933 S \* 5/2003 Kaposi ..... D6/569  
D498,963 S 11/2004 Sung-Feng  
D543,062 S \* 5/2007 Snell ..... D6/549  
D575,973 S 9/2008 Goodman  
D717,636 S \* 11/2014 Stanley ..... D8/363  
D784,207 S 4/2017 Mirth  
D799,067 S 10/2017 Forsberg  
D811,202 S 2/2018 Goodman  
2012/0091087 A1 \* 4/2012 Hines ..... B60P 7/08  
211/86.01

**OTHER PUBLICATIONS**

<https://www.amazon.com/dp/B09BYMC21G>, from Amazon.com,  
printed on Jul. 28, 2022.  
<https://www.amazon.com/Kyraton-Kitchen-Utensil-Organizer-Hanging/dp/B094J7LVL2>, from Amazon.com, printed on Jul. 28, 2022.

\* cited by examiner

*Primary Examiner* — Nathan M Johnston  
(74) *Attorney, Agent, or Firm* — Vladimir Postnikov

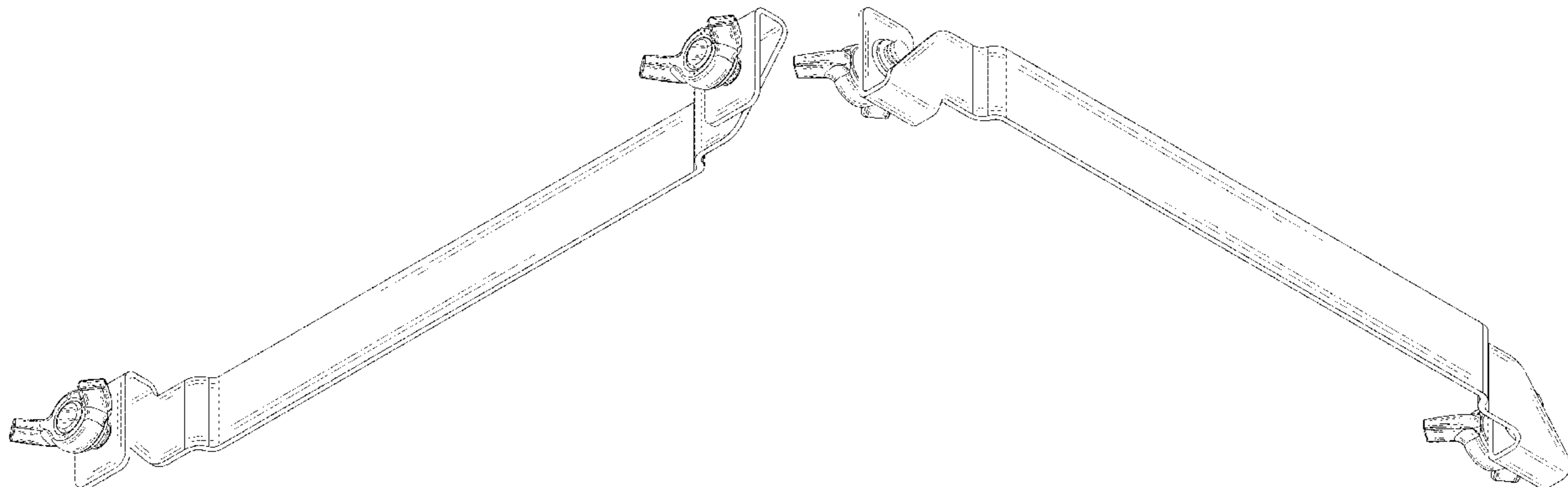
(57) **CLAIM**

The ornamental design for a hanging rack, as shown and described.

**DESCRIPTION**

FIG. 1 is a front elevation view of a hanging rack showing the new design;  
FIG. 2 is a back elevation view thereof;  
FIG. 3 is a left-side view thereof;  
FIG. 4 is a right-side view thereof;  
FIG. 5 is a top plan view thereof;  
FIG. 6 is a bottom plan view thereof;  
FIG. 7 is a bottom-right perspective view thereof; and,  
FIG. 8 is a back, right-side and top perspective view thereof.  
The broken lines depict portions of the article that form no part of the claimed design.

**1 Claim, 8 Drawing Sheets**



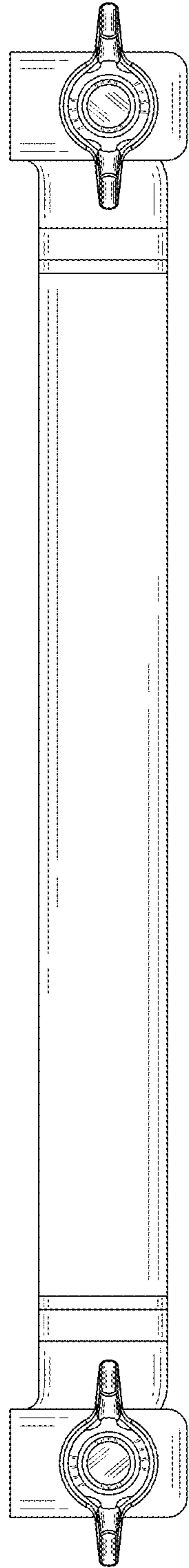


FIG. 1

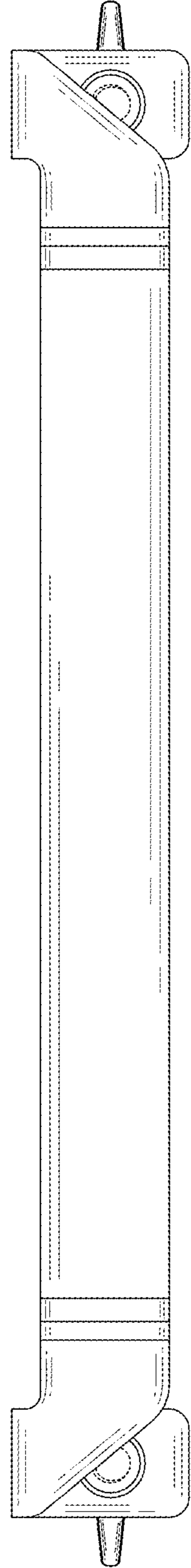


FIG. 2

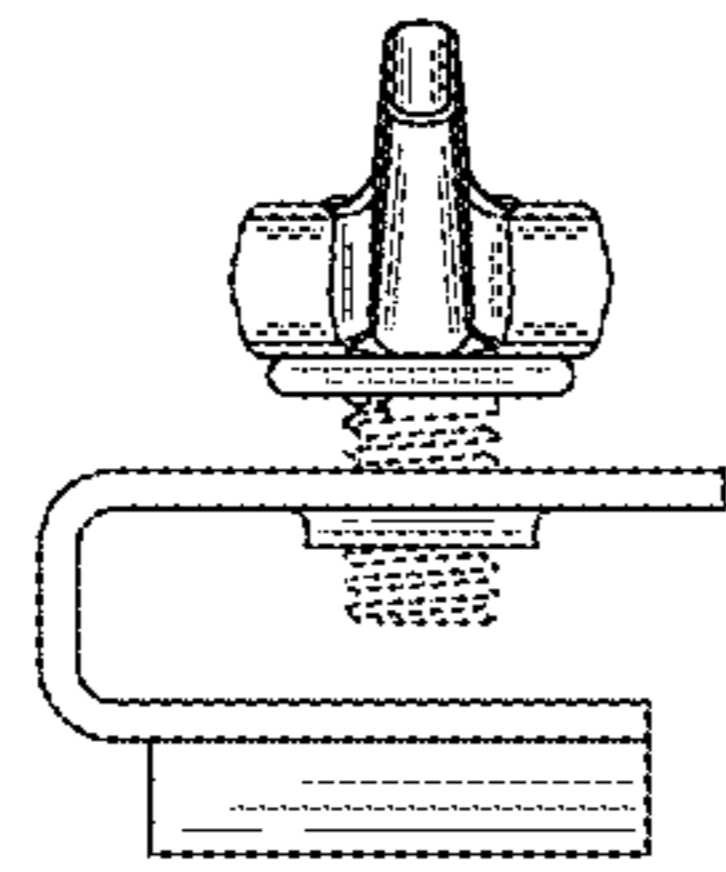


FIG. 3

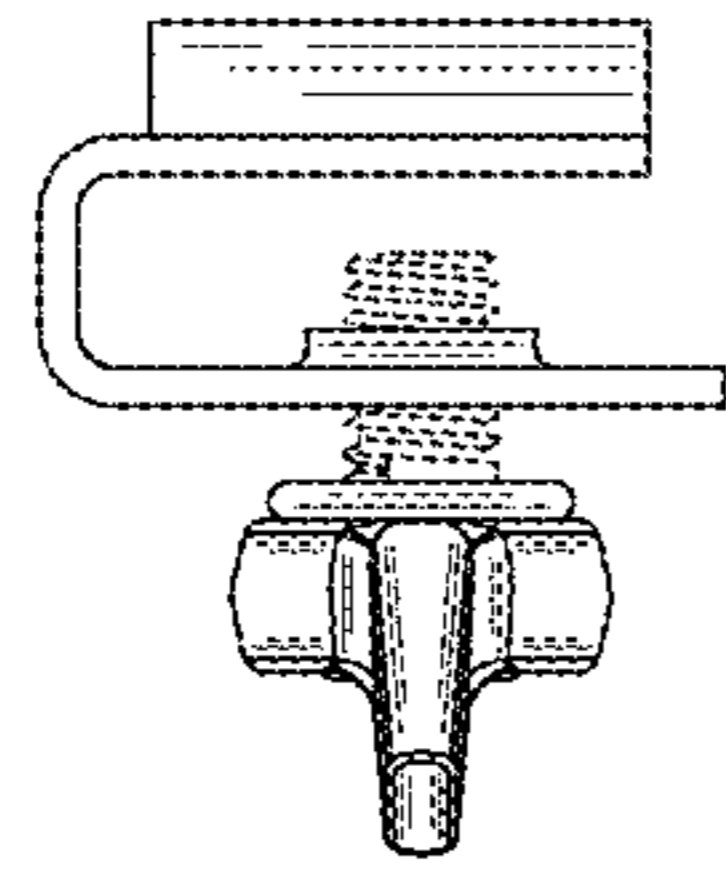


FIG. 4

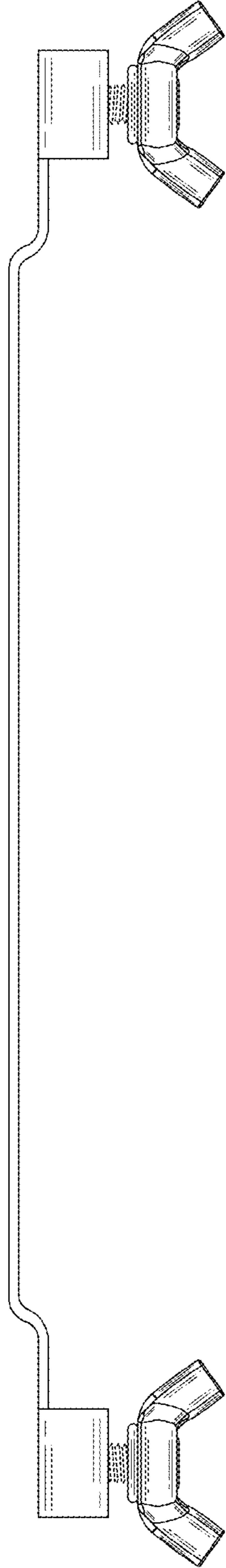


FIG. 5

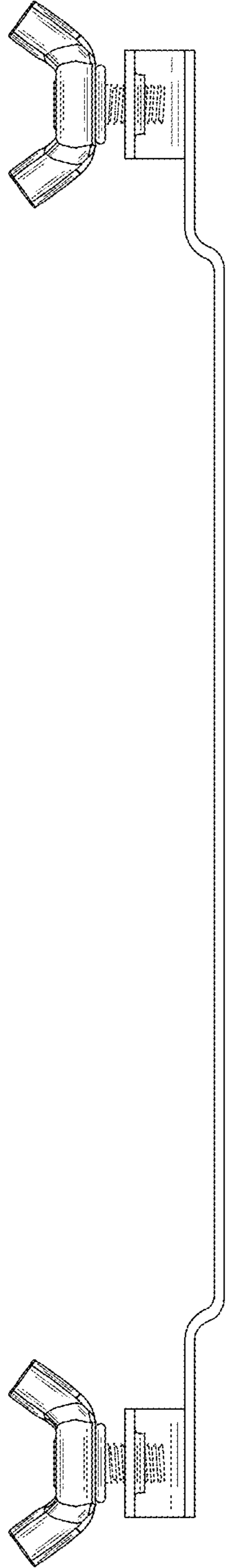


FIG. 6

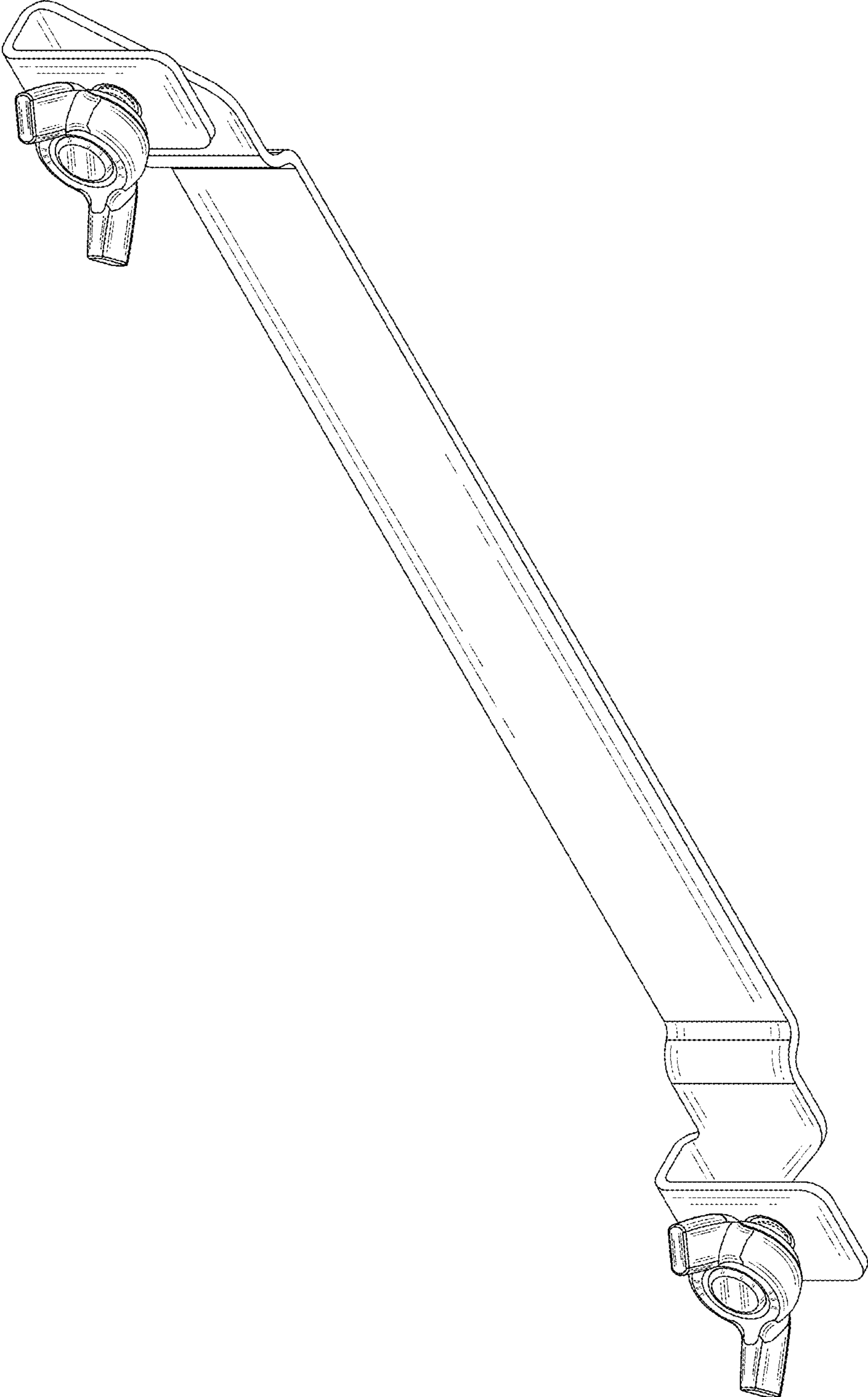


FIG. 7



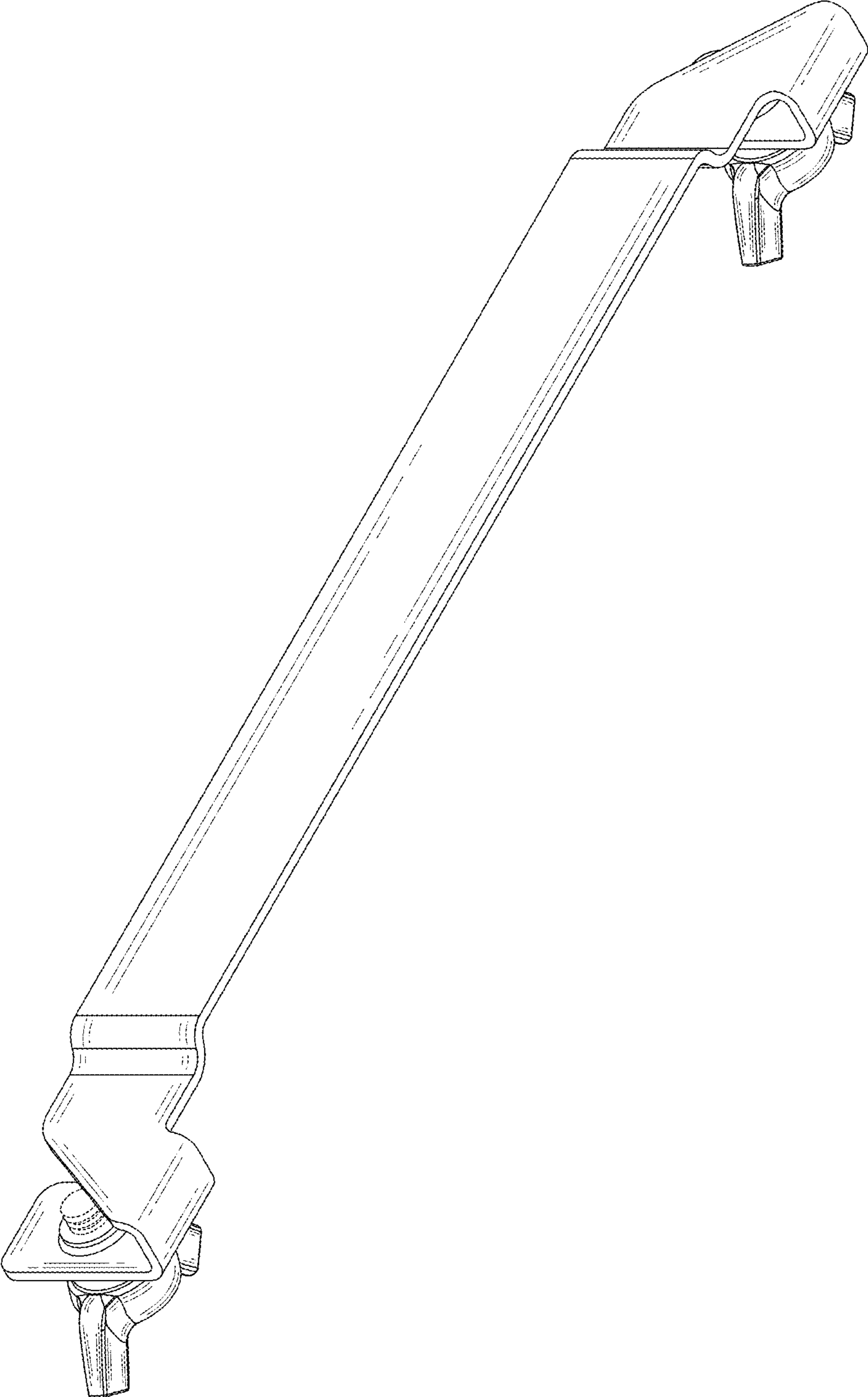


FIG. 8