



US00D983559S

(12) **United States Design Patent** (10) **Patent No.:** **US D983,559 S**
Chen (45) **Date of Patent:** **** Apr. 18, 2023**

(54) **SOAP DISPENSER**
(71) Applicant: **Shenzhen Dengdeng E-Commerce Co., Ltd.**, Shenzhen (CN)
(72) Inventor: **Peijun Chen**, Shenzhen (CN)
(**) Term: **15 Years**
(21) Appl. No.: **29/800,988**
(22) Filed: **Jul. 26, 2021**
(51) **LOC (14) Cl.** **23-08**
(52) **U.S. Cl.**
USPC **D6/542; D21/401; D7/309**
(58) **Field of Classification Search**
USPC **D21/401, 402, 414, 415; D7/309; D6/542**
CPC **A63H 33/28; A63H 23/10**
See application file for complete search history.

D941,625 S * 1/2022 Choi D7/309
D942,197 S * 2/2022 Yi D7/309
D945,201 S * 3/2022 Nalen D7/311
D948,905 S * 4/2022 Donaghey D7/306
D965,367 S * 10/2022 Bertazzoni D7/306
D968,123 S * 11/2022 Jing D6/542
2019/0008331 A1* 1/2019 Yan A47K 5/12
2020/0197828 A1* 6/2020 Yang A63H 33/28

FOREIGN PATENT DOCUMENTS

CN 306094439 * 10/2020
CN 306929590 * 11/2021
GB 9007979075-0001 * 6/2020
GB 9003490341-0001 * 11/2021

* cited by examiner

Primary Examiner — Katherine A Holbrow

Assistant Examiner — Riya Salil Kamat

(74) *Attorney, Agent, or Firm* — Sandy Lipkin

(57) **CLAIM**

The ornamental design for a soap dispenser, as shown and described.

(56) **References Cited**

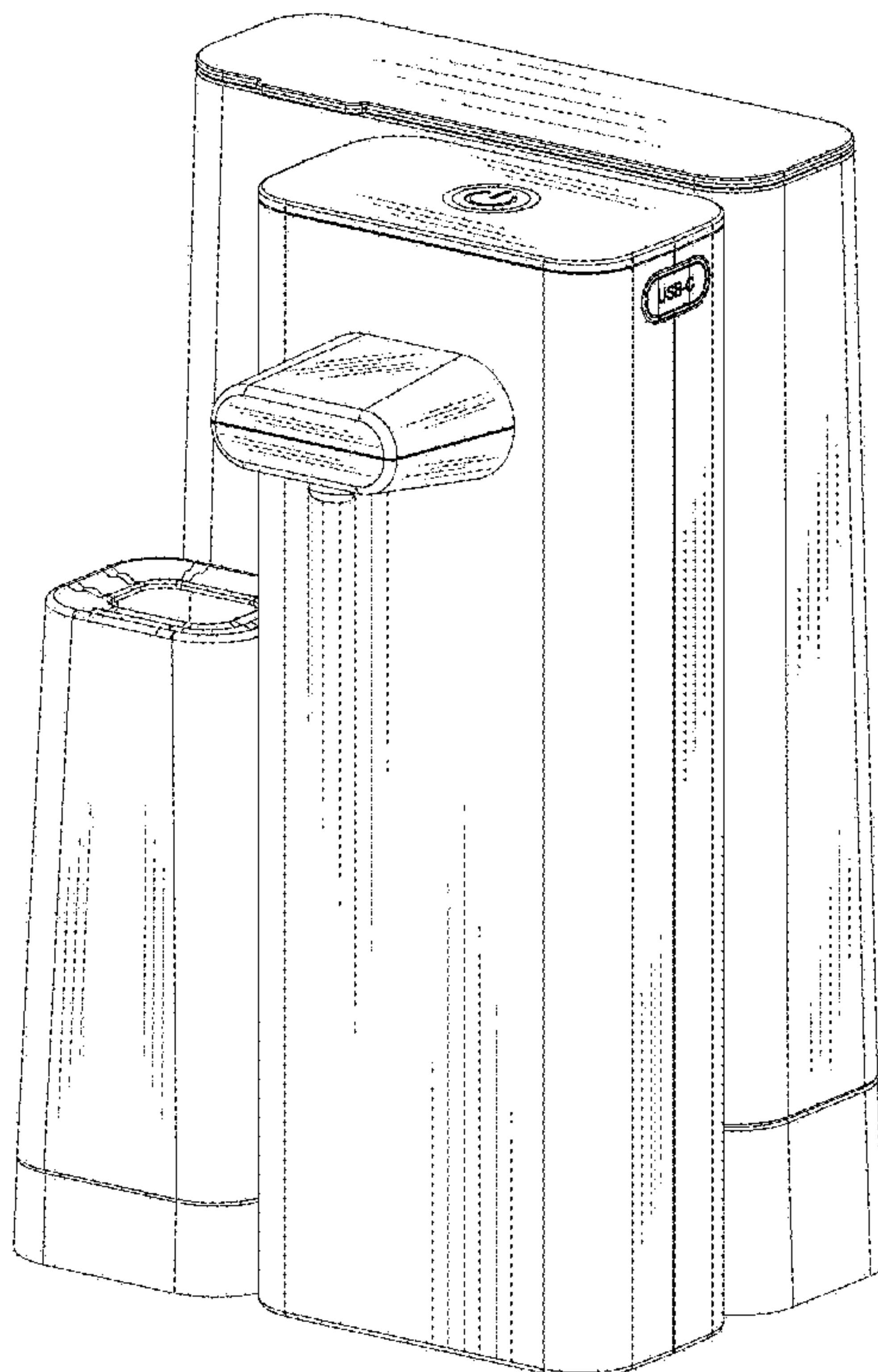
U.S. PATENT DOCUMENTS

D279,072 S * 6/1985 Elkerbout D7/386
D298,505 S * 11/1988 Freeh D7/311
D340,833 S * 11/1993 Del Fresno D7/309
D584,099 S * 1/2009 Terzariol D7/309
D612,649 S * 3/2010 Pattberg D6/545
D682,599 S * 5/2013 Bolzicco D7/311
D697,356 S * 1/2014 Choi D7/307
D774,820 S * 12/2016 Yang D7/311
D811,768 S * 3/2018 Snell D6/530
D811,815 S * 3/2018 Fletcher D7/397
D869,194 S * 12/2019 Joseph D6/542
D897,141 S * 9/2020 Weber D7/309

DESCRIPTION

FIG. 1 is a front view of a soap dispenser, showing my new design;
FIG. 2 is a top plan view thereof;
FIG. 3 is a bottom plan view thereof;
FIG. 4 is a rear plan view thereof;
FIG. 5 is a left plan view thereof;
FIG. 6 is a right plan view thereof; and,
FIG. 7 is a perspective view thereof.

1 Claim, 7 Drawing Sheets



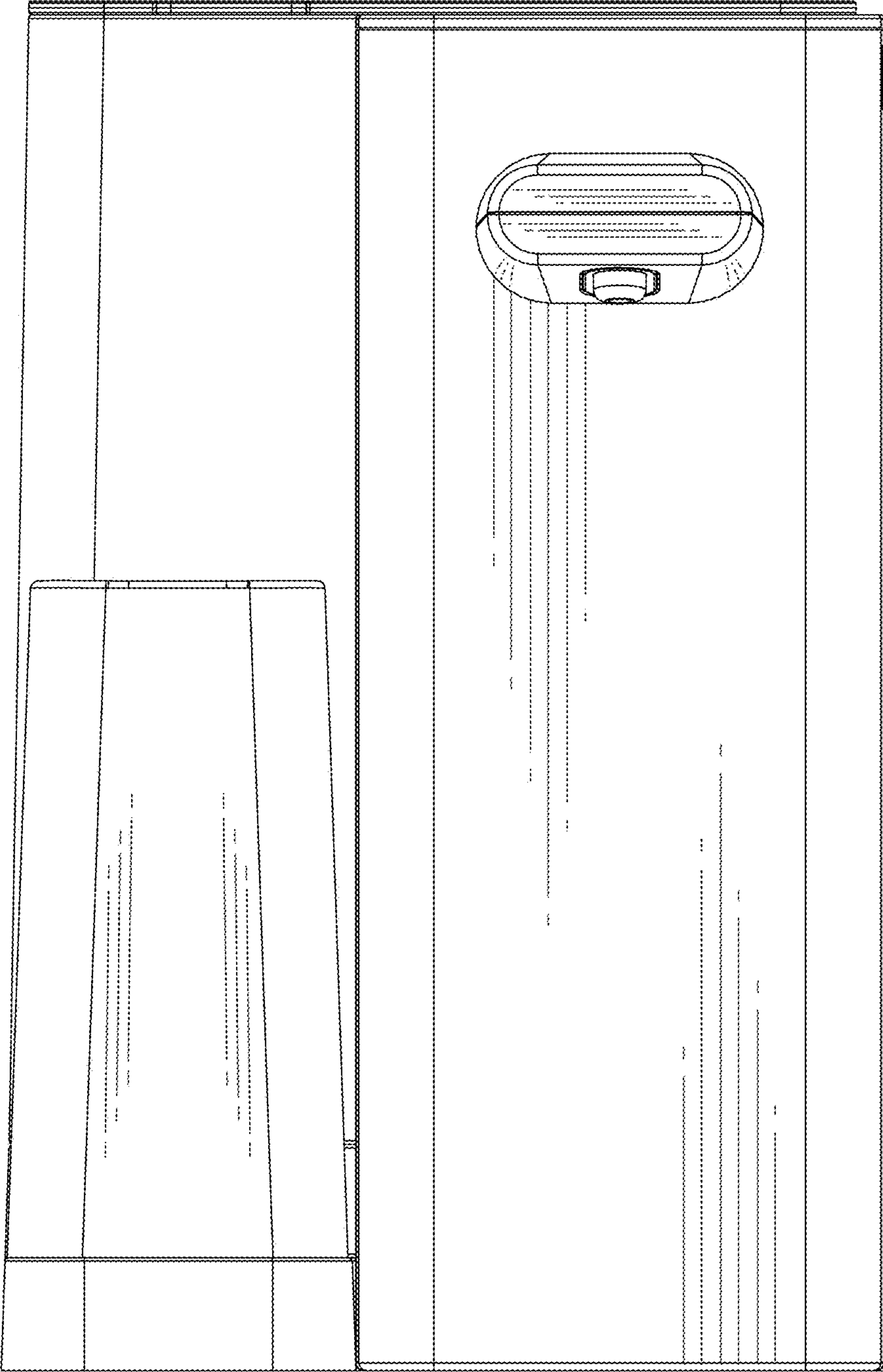


FIG. 1

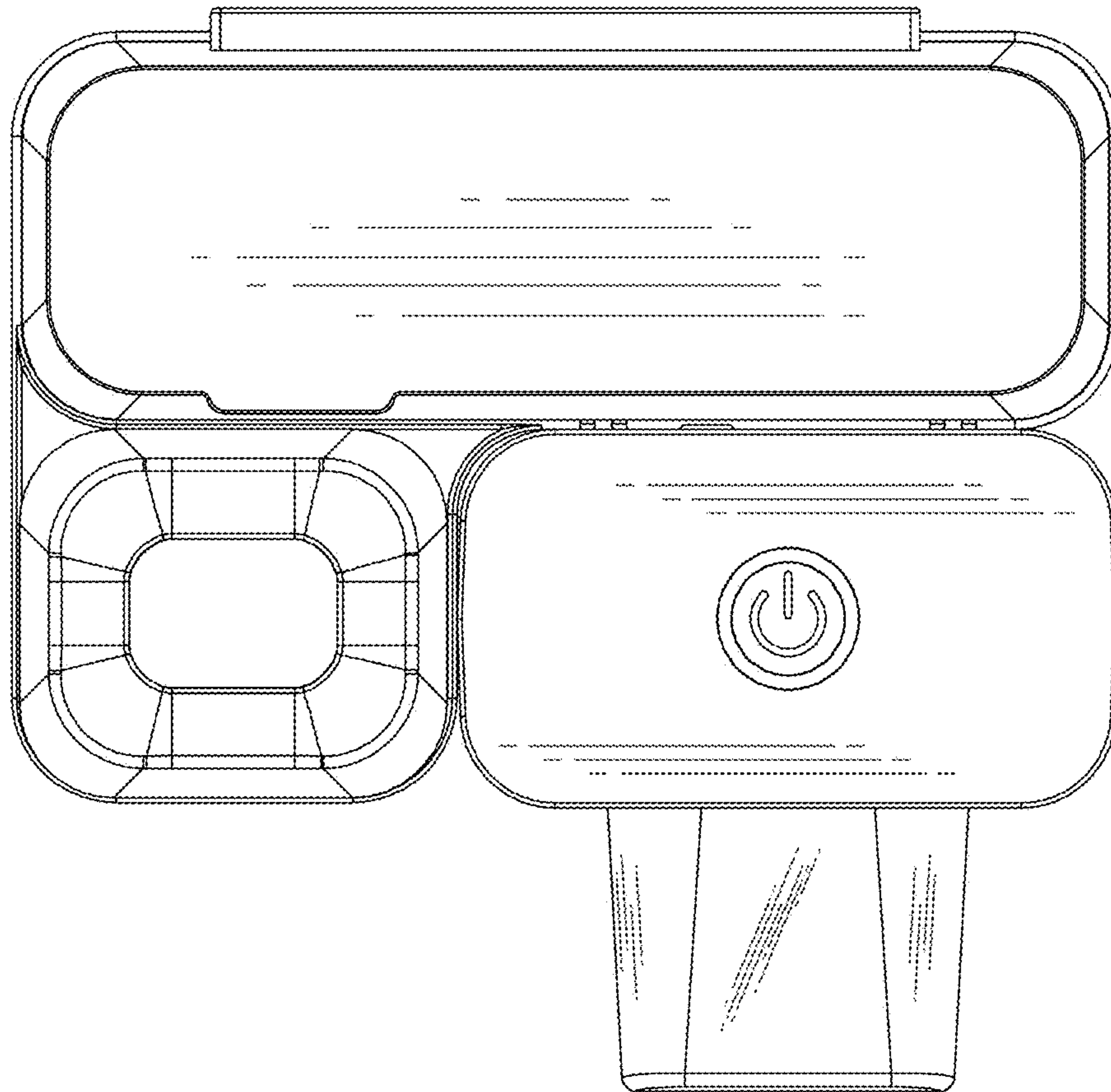


FIG. 2

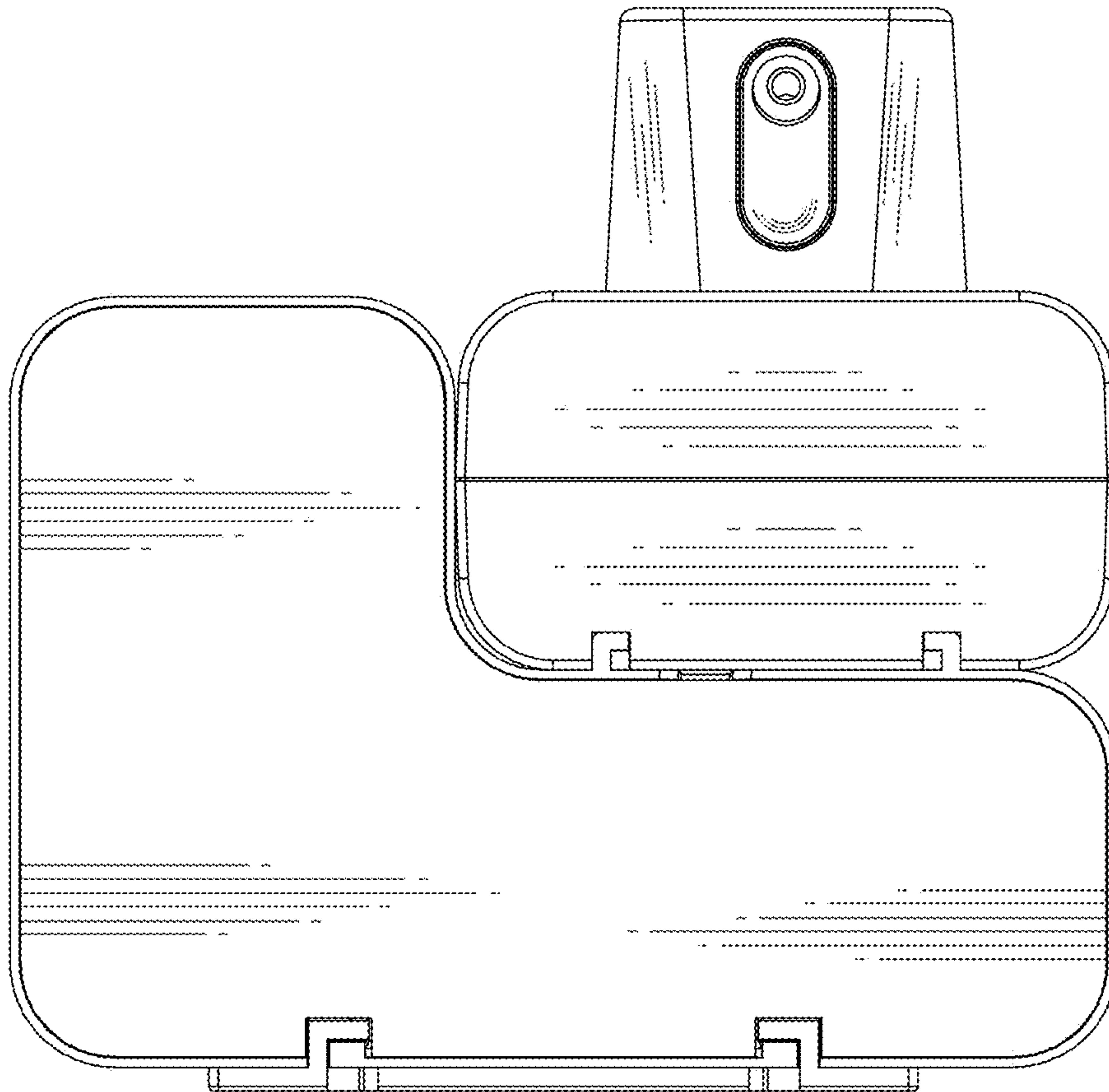


FIG. 3

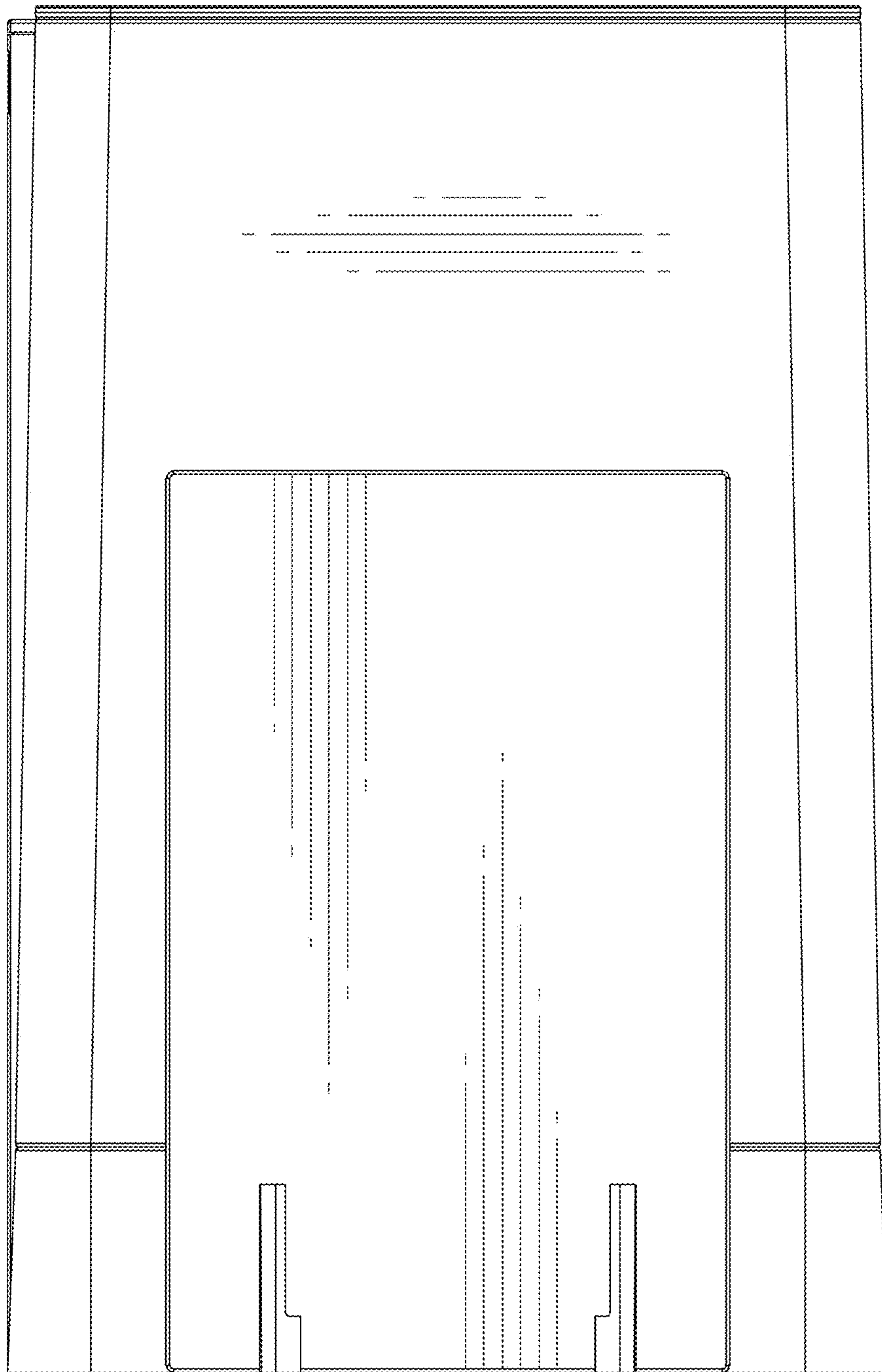


FIG. 4

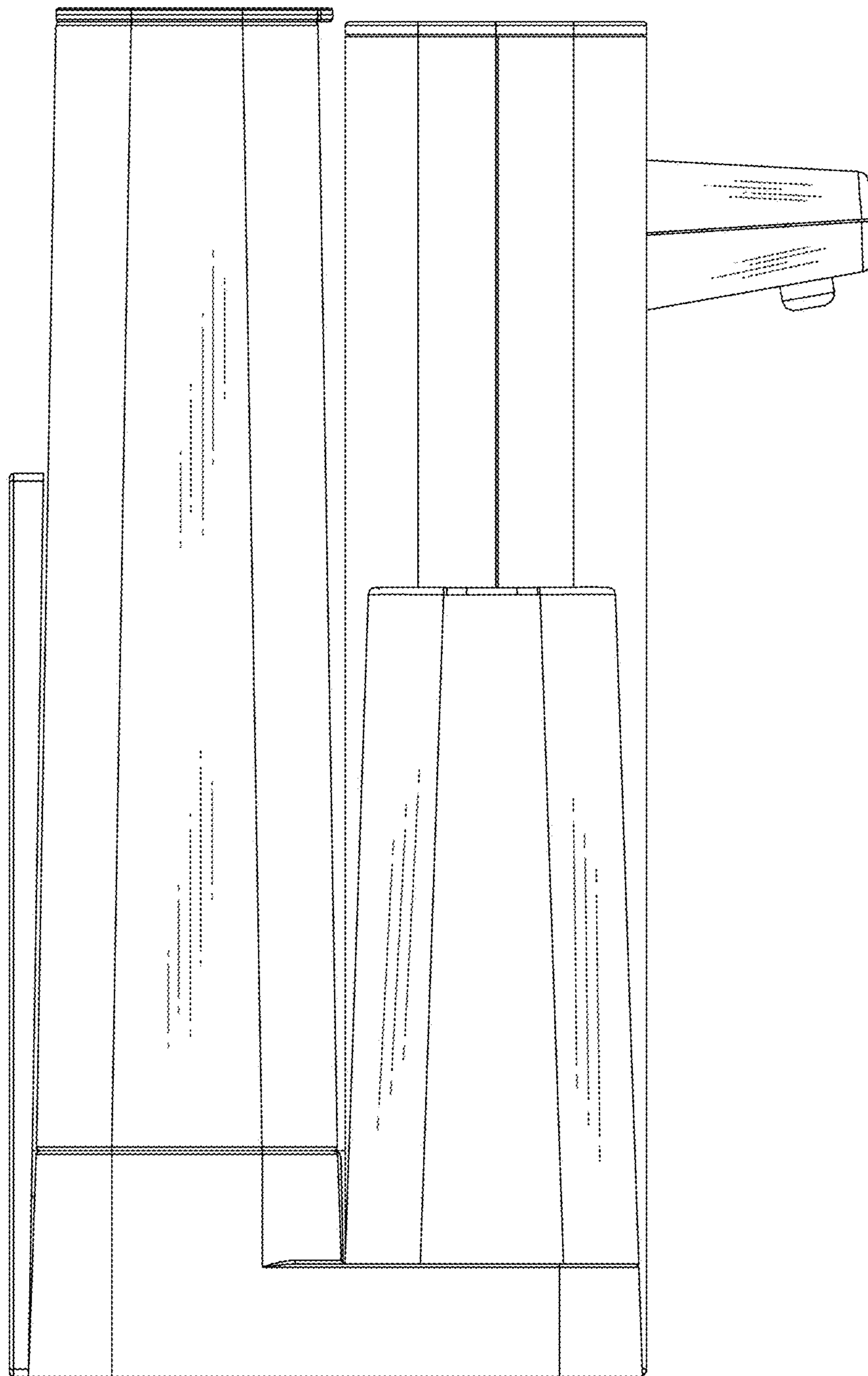


FIG. 5

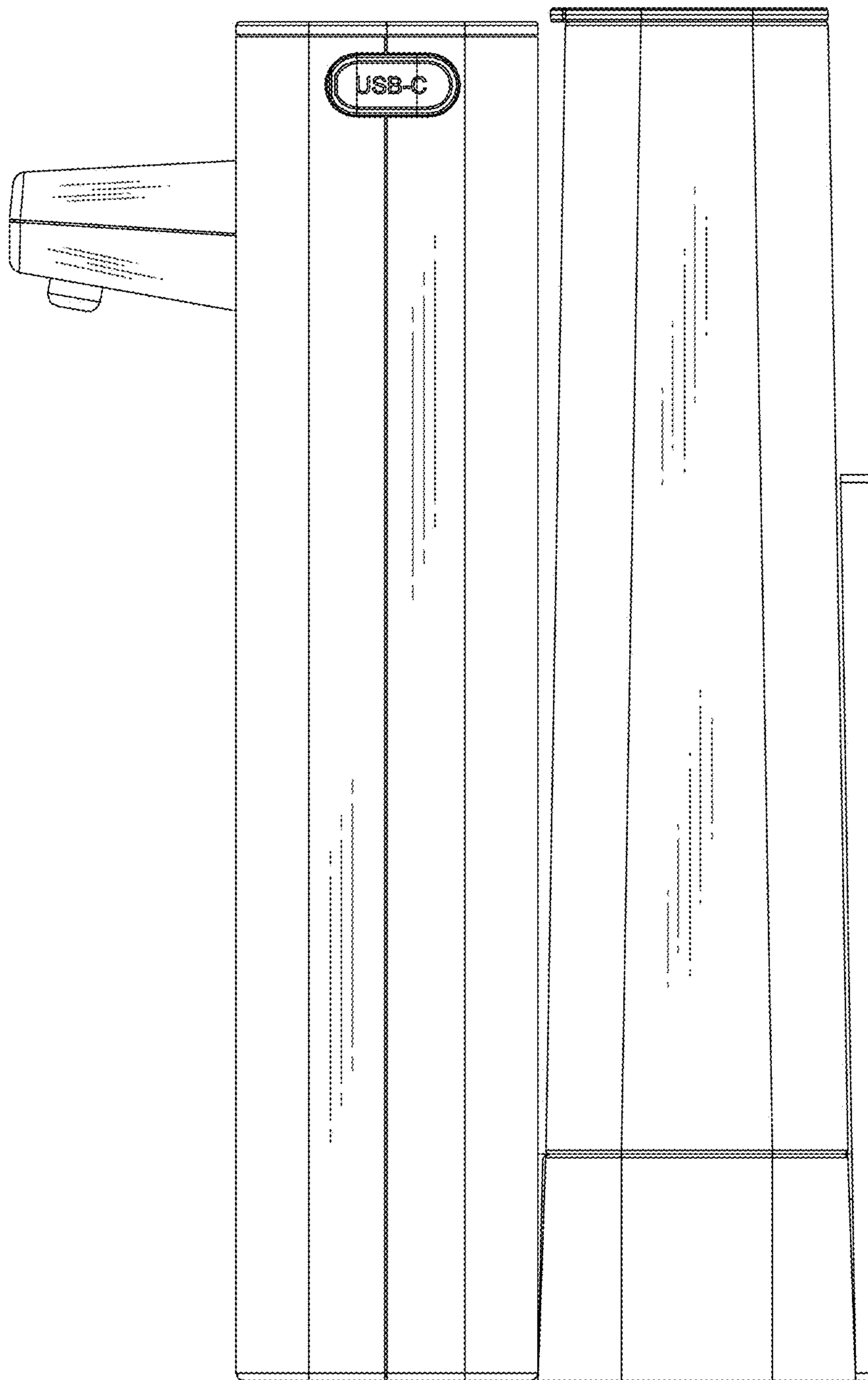


FIG. 6

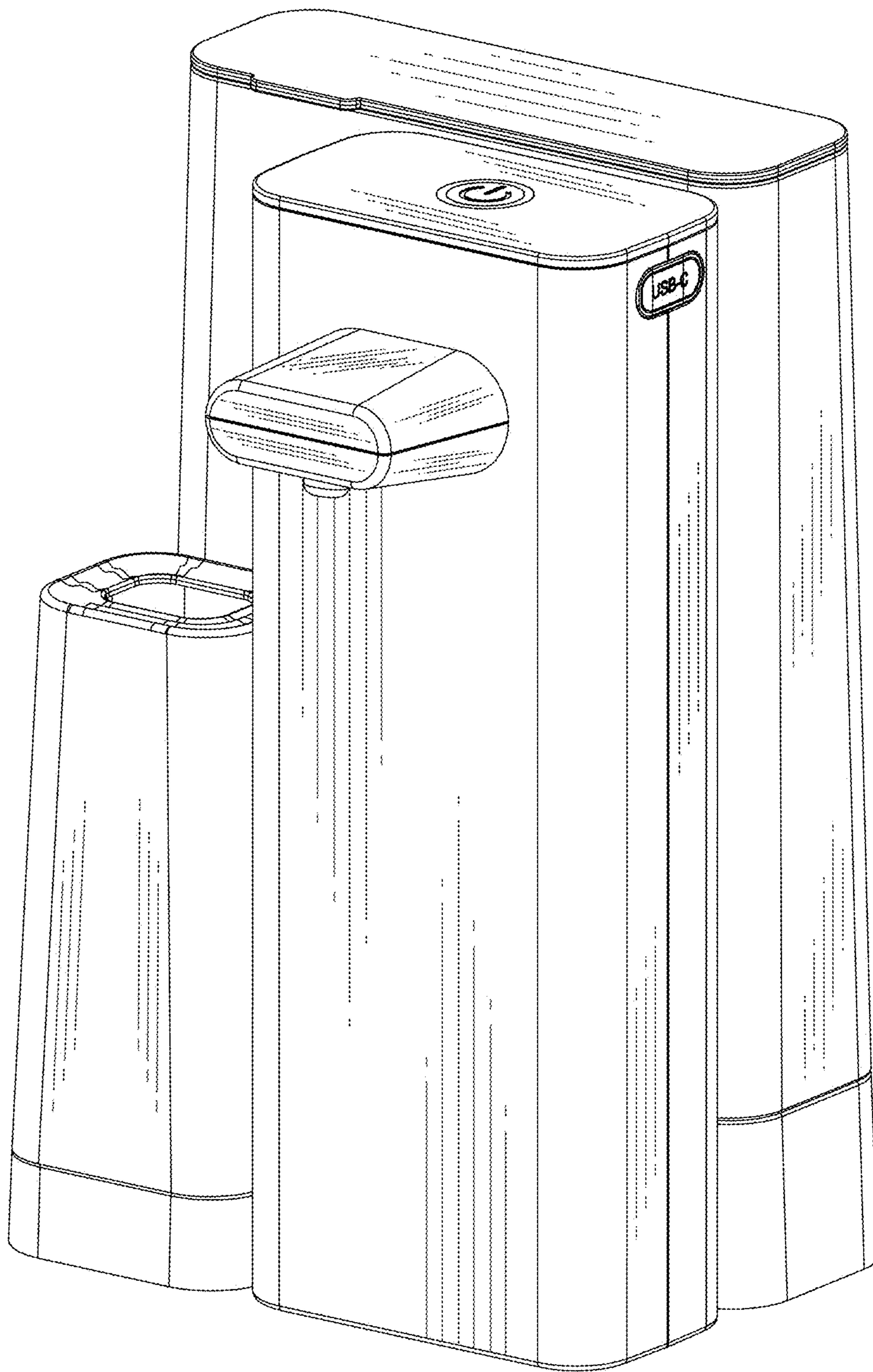


FIG. 7