



US00D983558S

(12) **United States Design Patent** (10) **Patent No.:** **US D983,558 S**
Zhu (45) **Date of Patent:** **** Apr. 18, 2023**

(54) **TOILET PAPER HOLDER WITH STORAGE**

FOREIGN PATENT DOCUMENTS

(71) Applicant: **Xiuchun Zhu**, Fuzhou (CN)

CN 307501660 * 8/2022
CN 307517800 * 8/2022

(72) Inventor: **Xiuchun Zhu**, Fuzhou (CN)

(Continued)

(73) Assignee: **Xiuchun Zhu**, Fuzhou (CN)

OTHER PUBLICATIONS

(**) Term: **15 Years**

Toilet Paper Holder with Storage. Roykoota (online) 10 pgs. Available Apr. 27, 2022. [Retrieved Oct. 5, 2022] <https://www.amazon.com/ROYKOOTA-Toilet-Storage-Flushable-Dispenser/dp/B09YXGRM8H> (Year: 2022).*

(21) Appl. No.: **29/846,562**

(Continued)

(22) Filed: **Jul. 18, 2022**

(51) **LOC (14) Cl.** **23-08**

(52) **U.S. Cl.**
USPC **D6/523**

(58) **Field of Classification Search**
USPC D6/512, 513, 515, 518, 521, 522, 523,
D6/524, 546, 547, 548, 549, 550, 553,
D6/675.2, 566, 567; D8/315, 316, 319,
D8/320; D23/303, 304; 211/16, 88.04,
211/105.1, 6, 45, 89.01, 100; 248/251,
248/309.1

CPC A47B 47/0058; A47B 96/027
See application file for complete search history.

Primary Examiner — Marie D. Fast Horse
Assistant Examiner — Jennifer Sierra Yosinski
(74) *Attorney, Agent, or Firm* — Nitin Kaushik

(57) **CLAIM**

The ornamental design for a toilet paper holder with storage, as shown and described.

DESCRIPTION

FIG. 1 is a front perspective view of a toilet paper holder with storage, showing my new design;
FIG. 2 is a perspective view of a first alternate state thereof, with the top panel opened;
FIG. 3 is a perspective view of the toilet paper holder with storage of FIG. 1 in a second alternate state, with the drawer opened;
FIG. 4 is a front view of the toilet paper holder with storage of FIG. 1;
FIG. 5 is a rear view thereof;
FIG. 6 is a left side view thereof;
FIG. 7 is a right side view thereof;
FIG. 8 is a top view thereof; and,
FIG. 9 is a bottom view thereof.
The broken lines in the drawings illustrate the portions of the toilet paper holder with storage, which form no part of the claimed design.

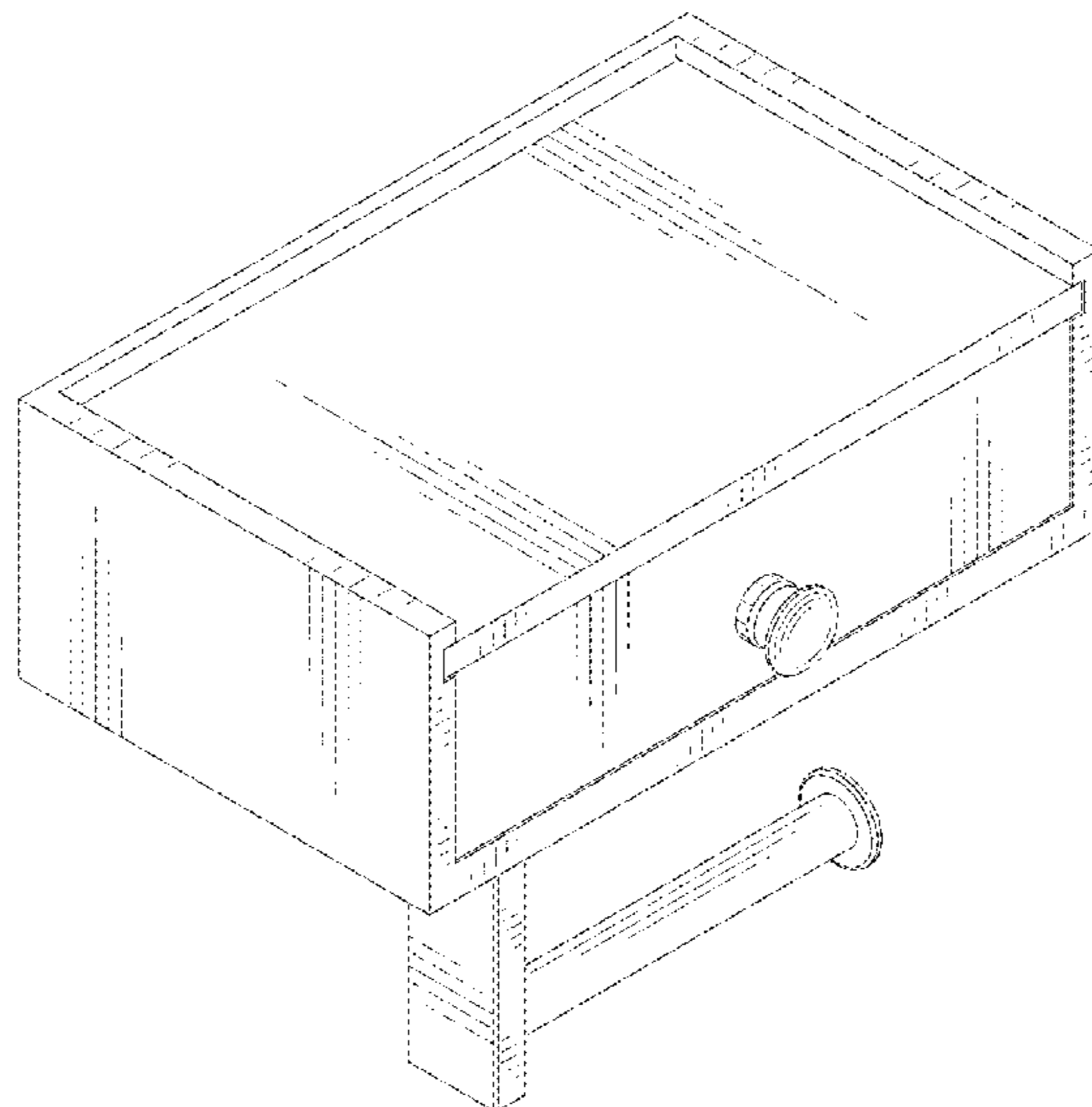
(56) **References Cited**

U.S. PATENT DOCUMENTS

D305,488 S * 1/1990 Korpijaako D6/523
5,248,105 A * 9/1993 Cooker A47K 10/38
D476,837 S * 7/2003 Hoernig D6/549
D476,838 S * 7/2003 Hoernig D6/549
D483,976 S * 12/2003 Hoernig D6/574
D493,313 S * 7/2004 Hoernig D6/524
D512,253 S * 12/2005 Hoernig D6/523
D670,521 S * 11/2012 Cittadino D6/549
D790,875 S * 7/2017 Eads D6/546
D797,467 S * 9/2017 Andrew D6/540
D805,719 S * 12/2017 Kelly D99/33

(Continued)

1 Claim, 9 Drawing Sheets



(56)

References Cited

U.S. PATENT DOCUMENTS

D812,396 S * 3/2018 Wilson D6/518
D841,357 S * 2/2019 Hu D6/519
D935,800 S 11/2021 Chen
D966,008 S * 10/2022 Shi D6/519
D967,648 S * 10/2022 Li D6/523

FOREIGN PATENT DOCUMENTS

EM 009049117-0002 * 6/2022
EM 009049117-0004 * 6/2022
GB 6226477 * 9/2022
GB 6245335 * 12/2022

OTHER PUBLICATIONS

Toilet Paper Holder with Shelf. Voldra (online) 12 pgs. Available Jul. 9, 2022. [Retrieved Oct. 5, 2022] <https://www.amazon.com/dp/B0B3C2ZSFK> (Year: 2022).*

Toilet Paper Holder with Flushable Wipes Dispenser Storage. Fuceoruy (online) 10 pgs. Available May 15, 2022. [Retrieved Oct. 5, 2022] <https://www.amazon.com/Toilet-Paper-Holder-Flushable-Dispenser/dp/B09XGPMZ34> (Year: 2022).*

Wood Toilet Paper Holder. Day Moon Designs (online) 14 pgs. Available May 24, 2022. [Retrieved Oct. 5, 2022] <https://www.amazon.com/Day-Moon-Designs-Flushable-Dispenser/dp/B0B26Y7PT8> (Year: 2022).*

Bambooa Toilet Roll Holder. Wenko (online) 6 pgs. Available Apr. 22, 2021. [Retrieved Jan. 20, 2023] <https://www.amazon.co.uk/WENKO-Bamboo-Toilet-Holder-Drawer/dp/B08Z8B6X3R> (Year: 2021).*

* cited by examiner

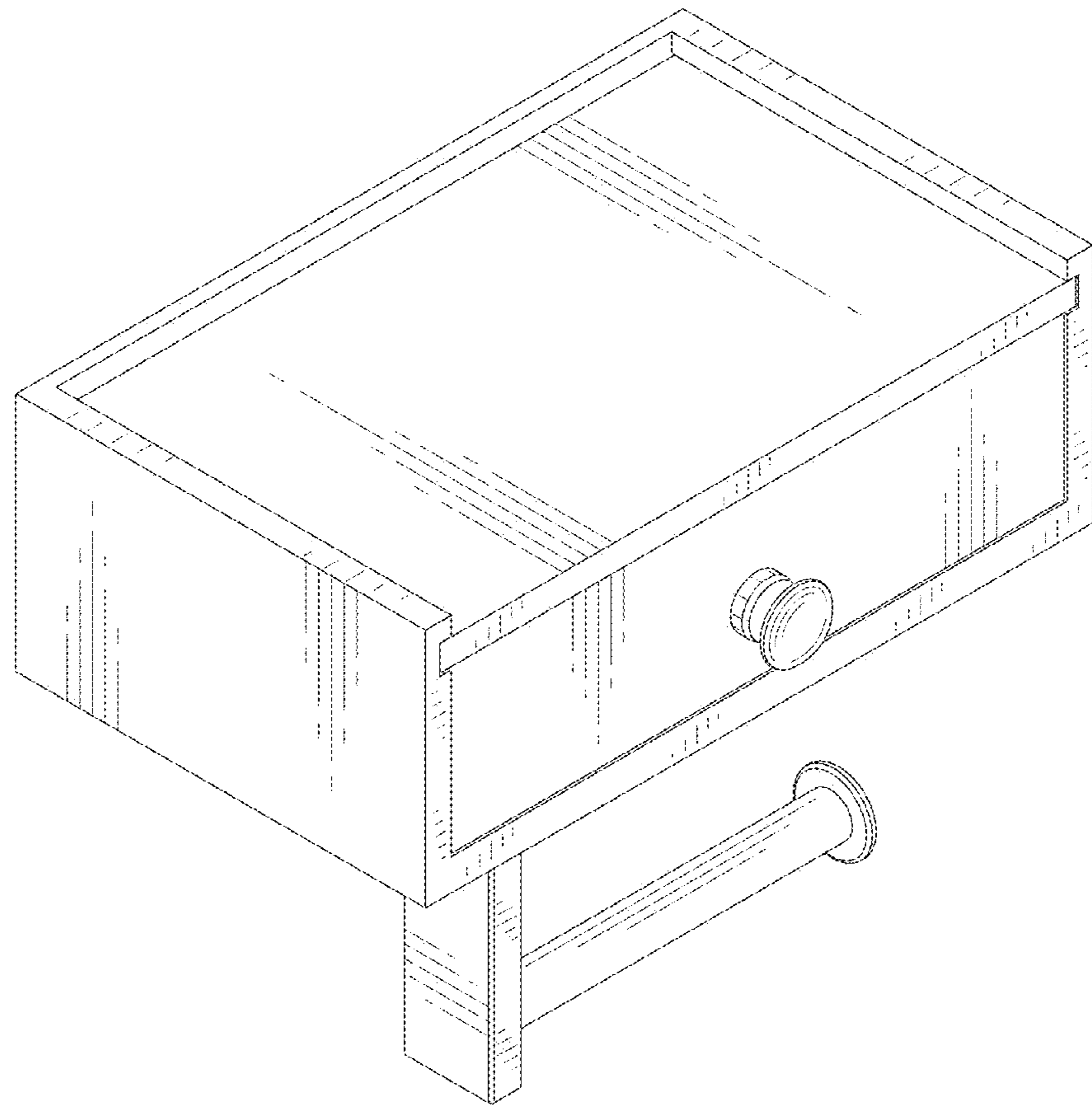


FIG. 1

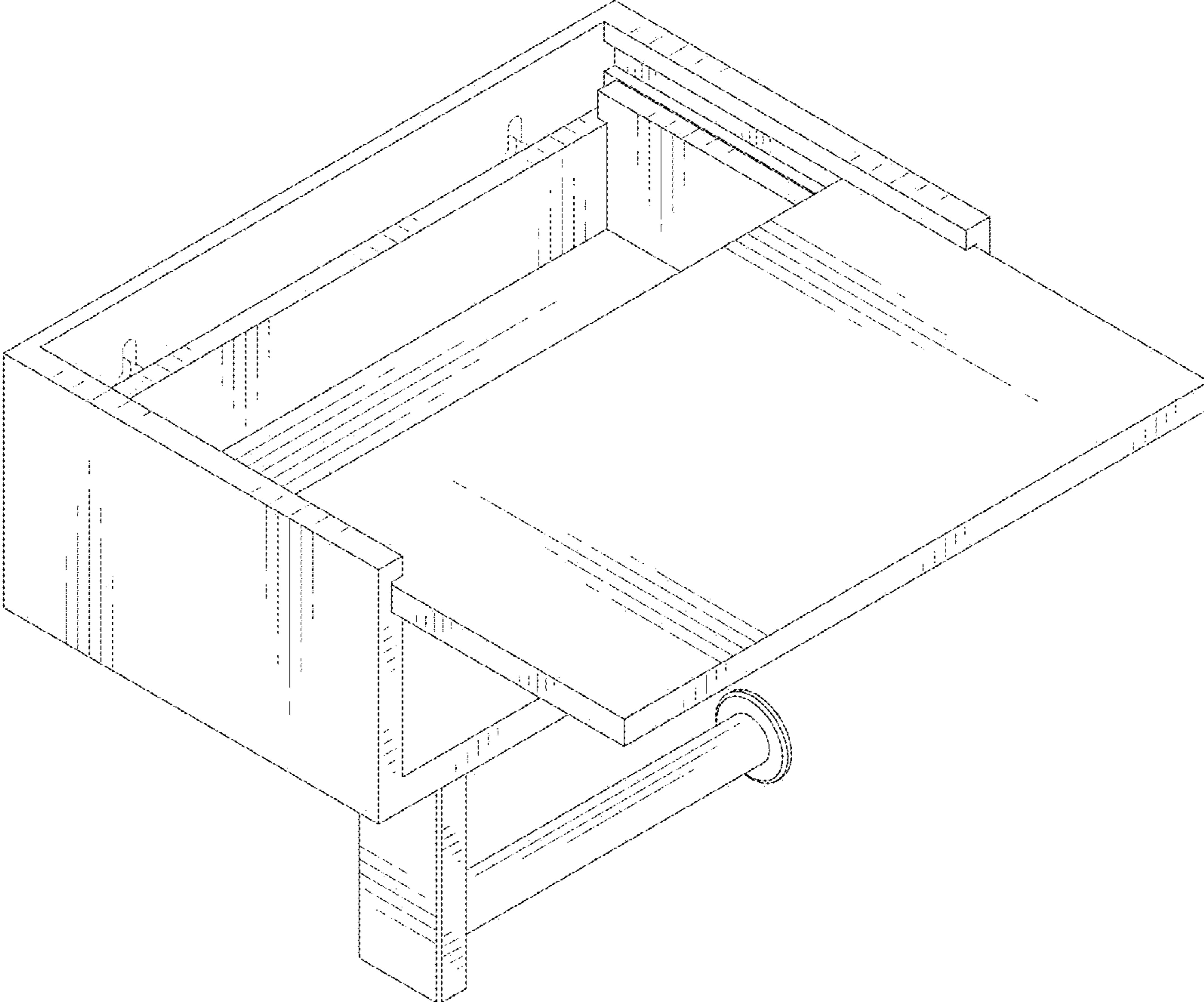


FIG. 2

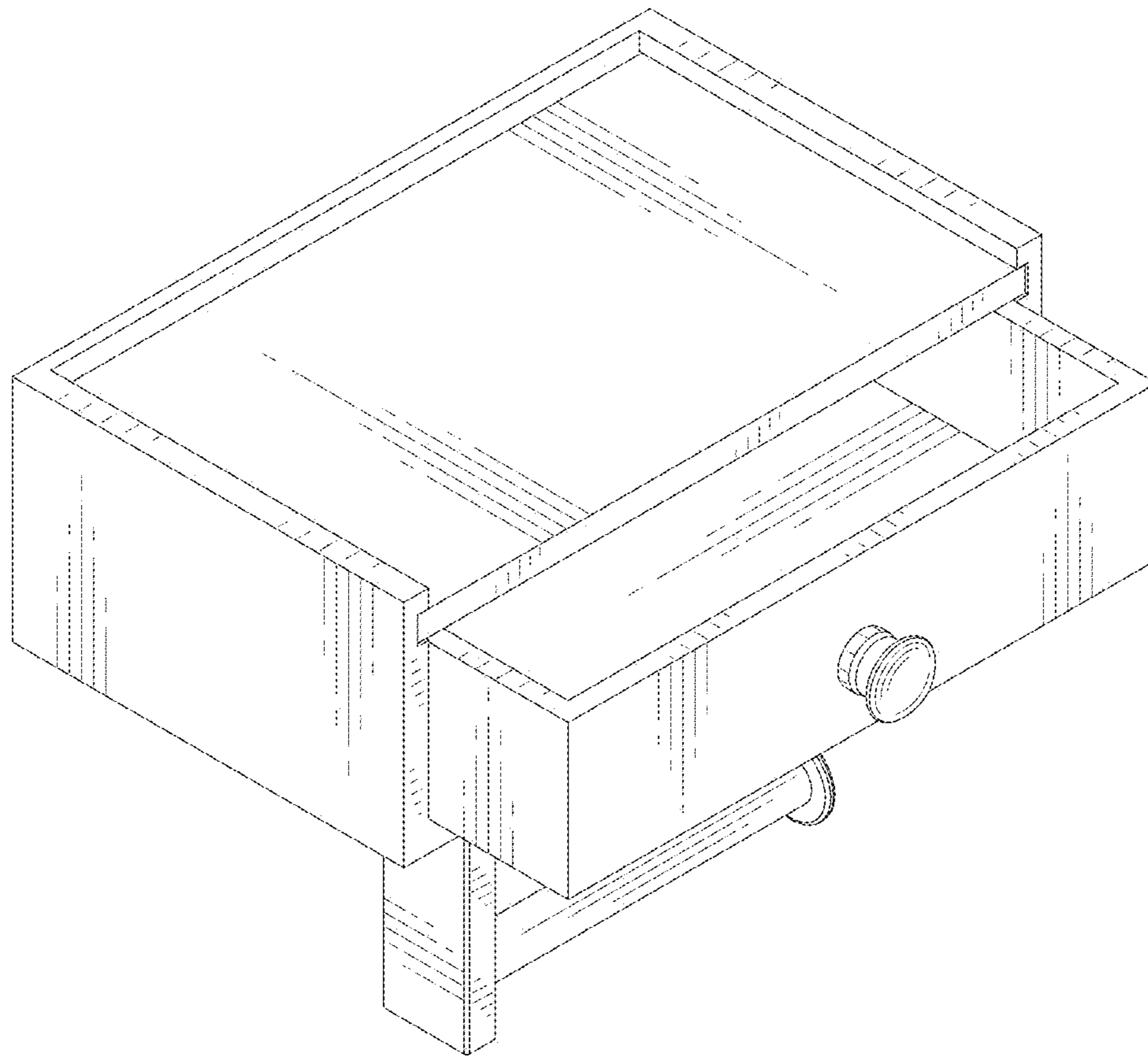


FIG. 3

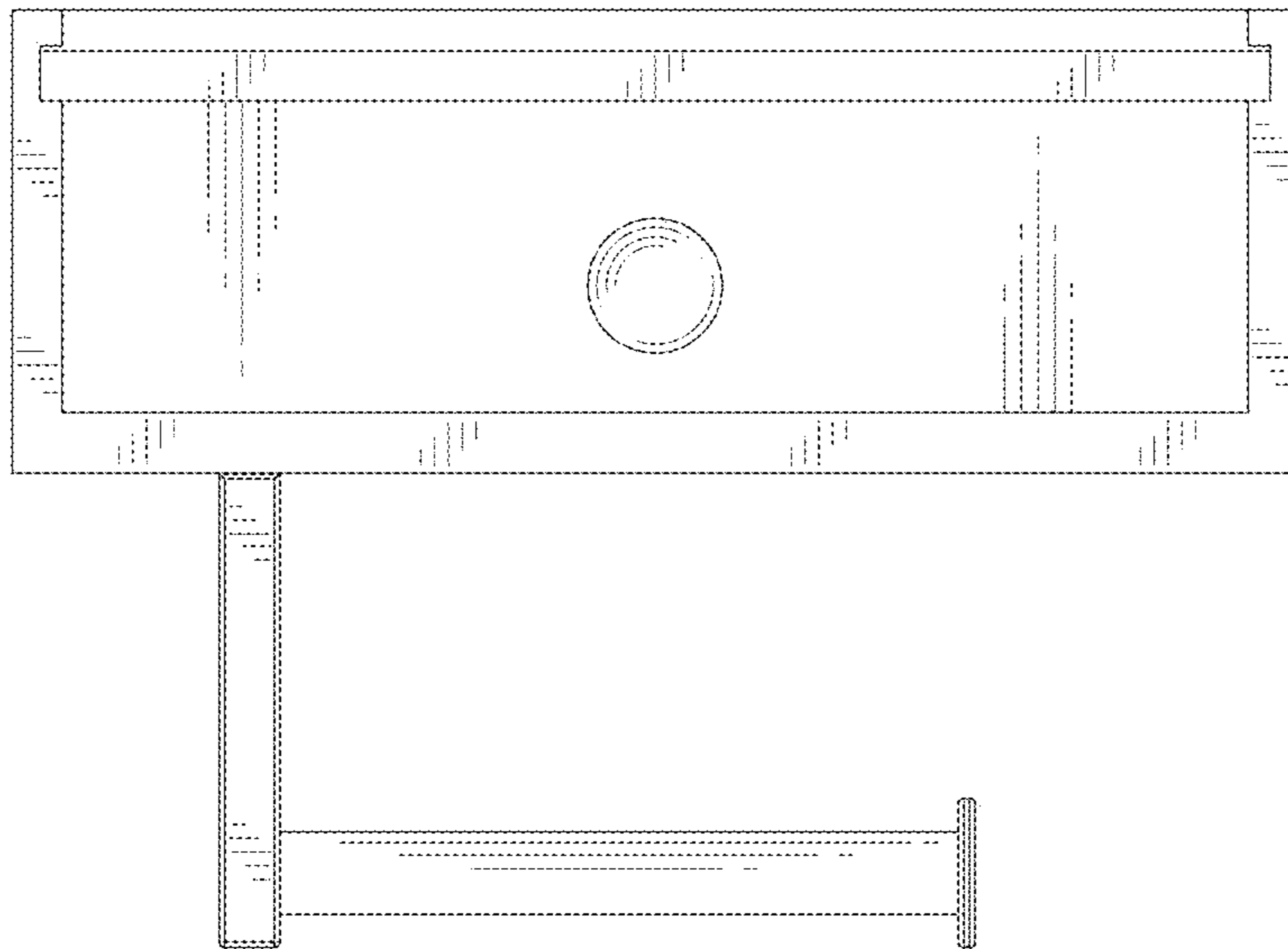


FIG. 4

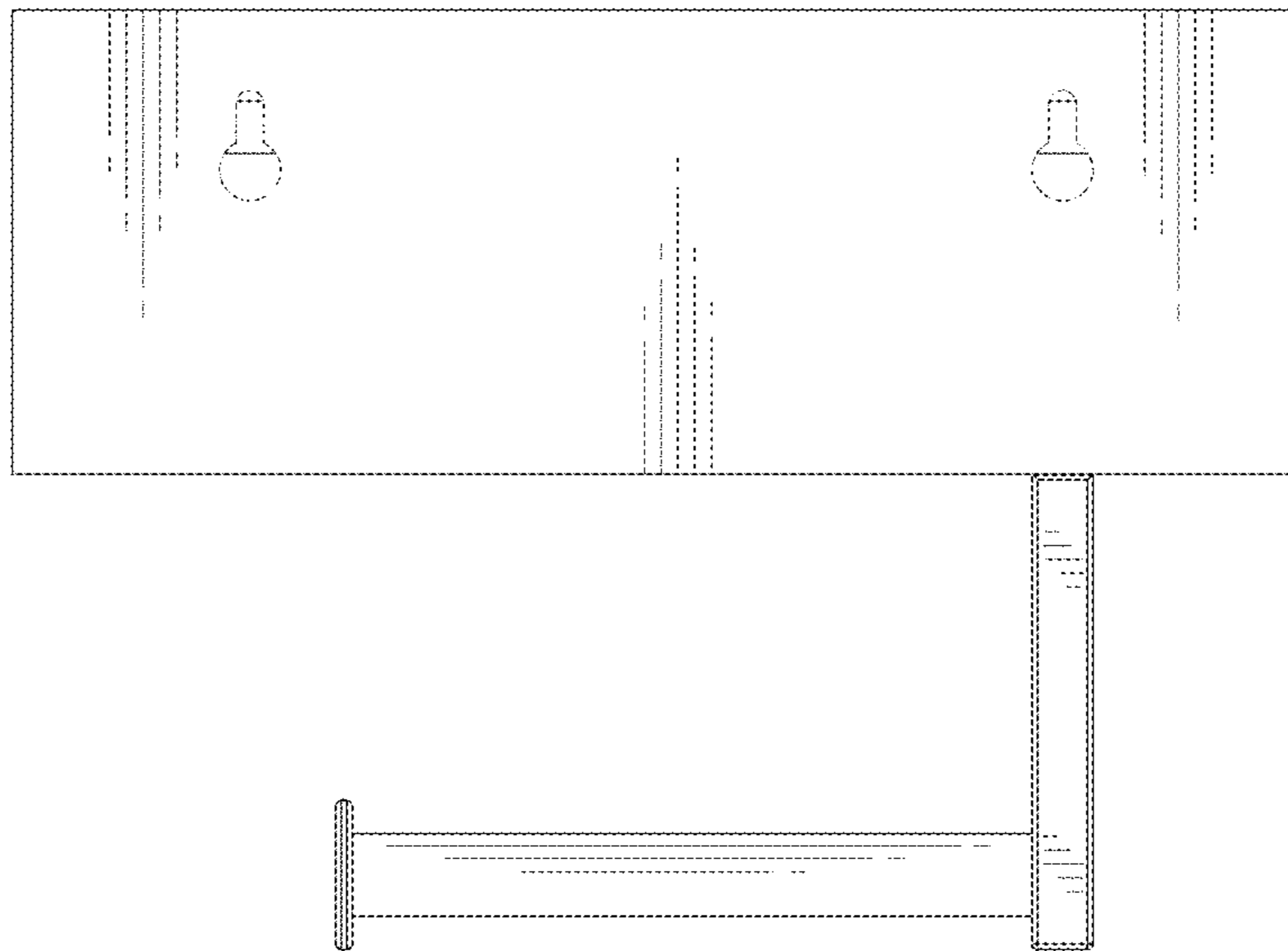


FIG. 5

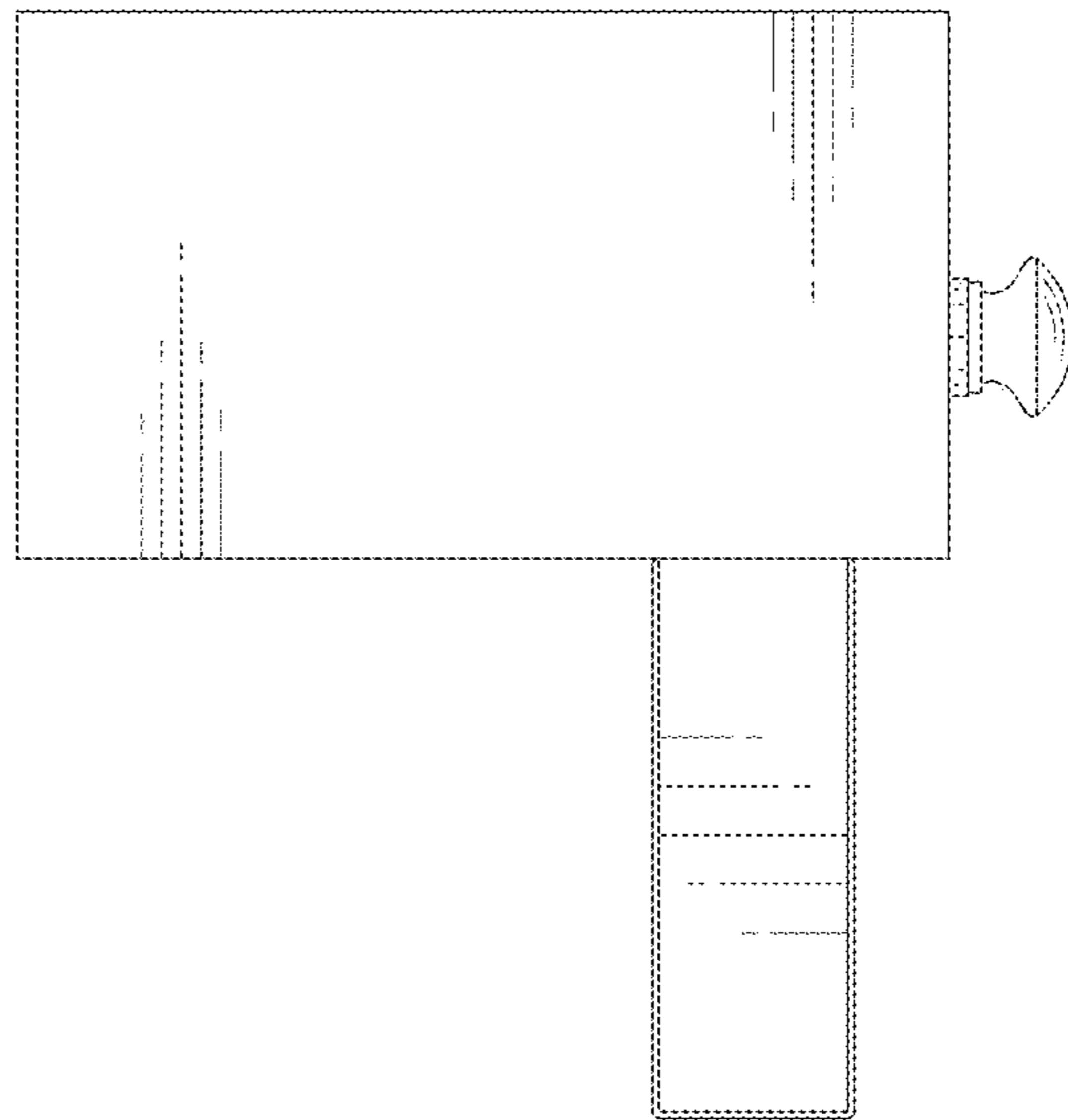


FIG. 6

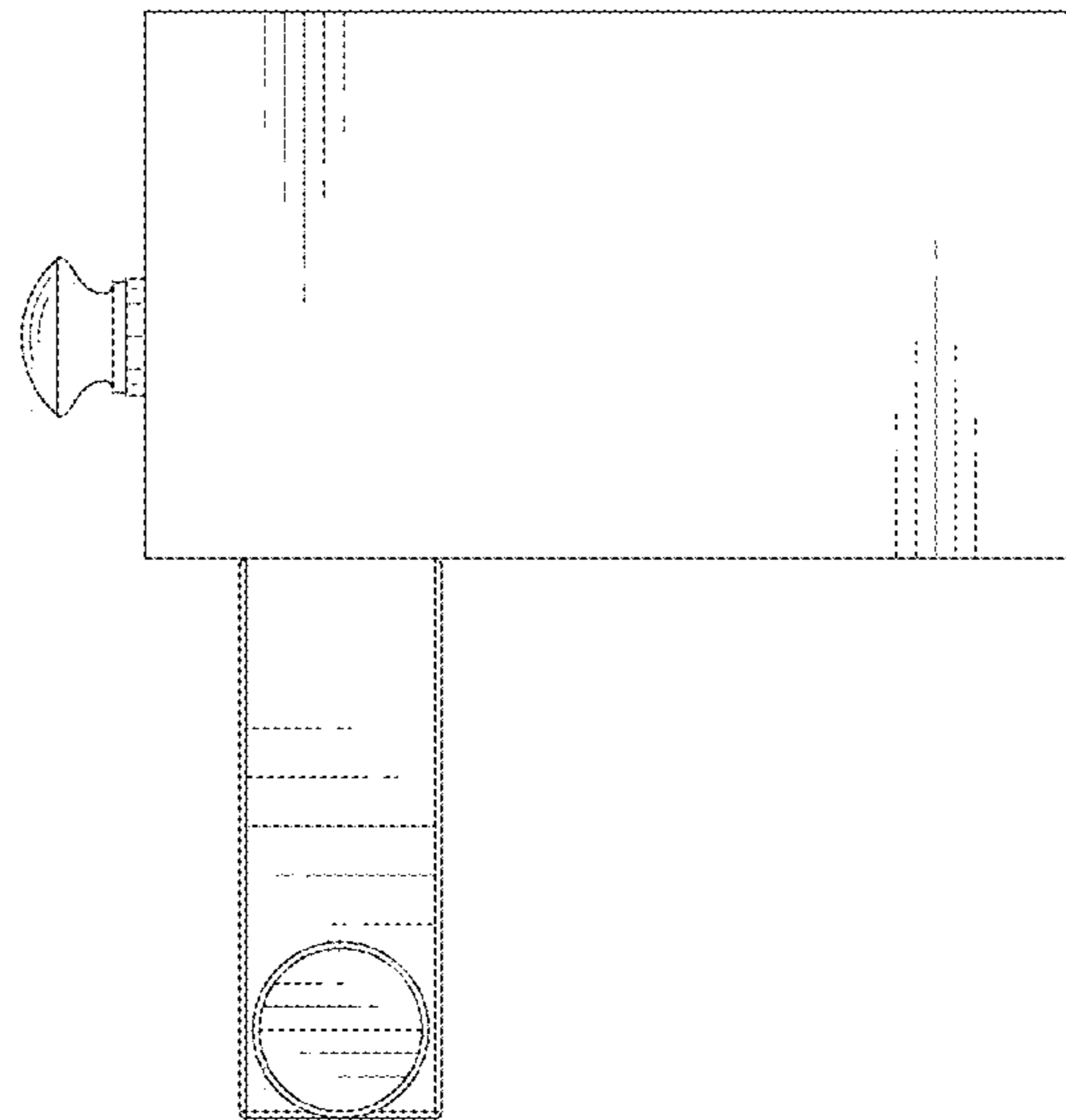


FIG. 7

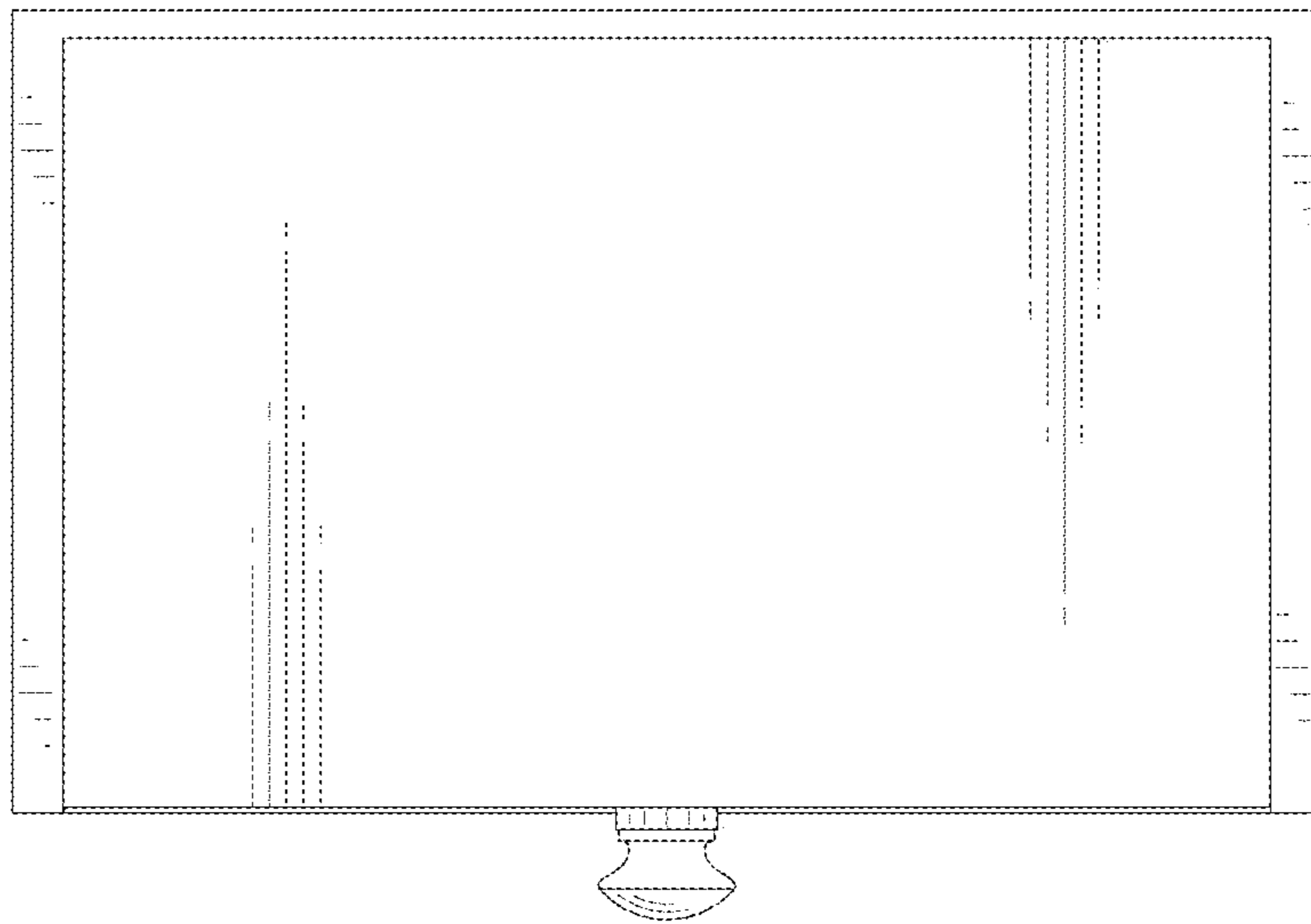


FIG. 8

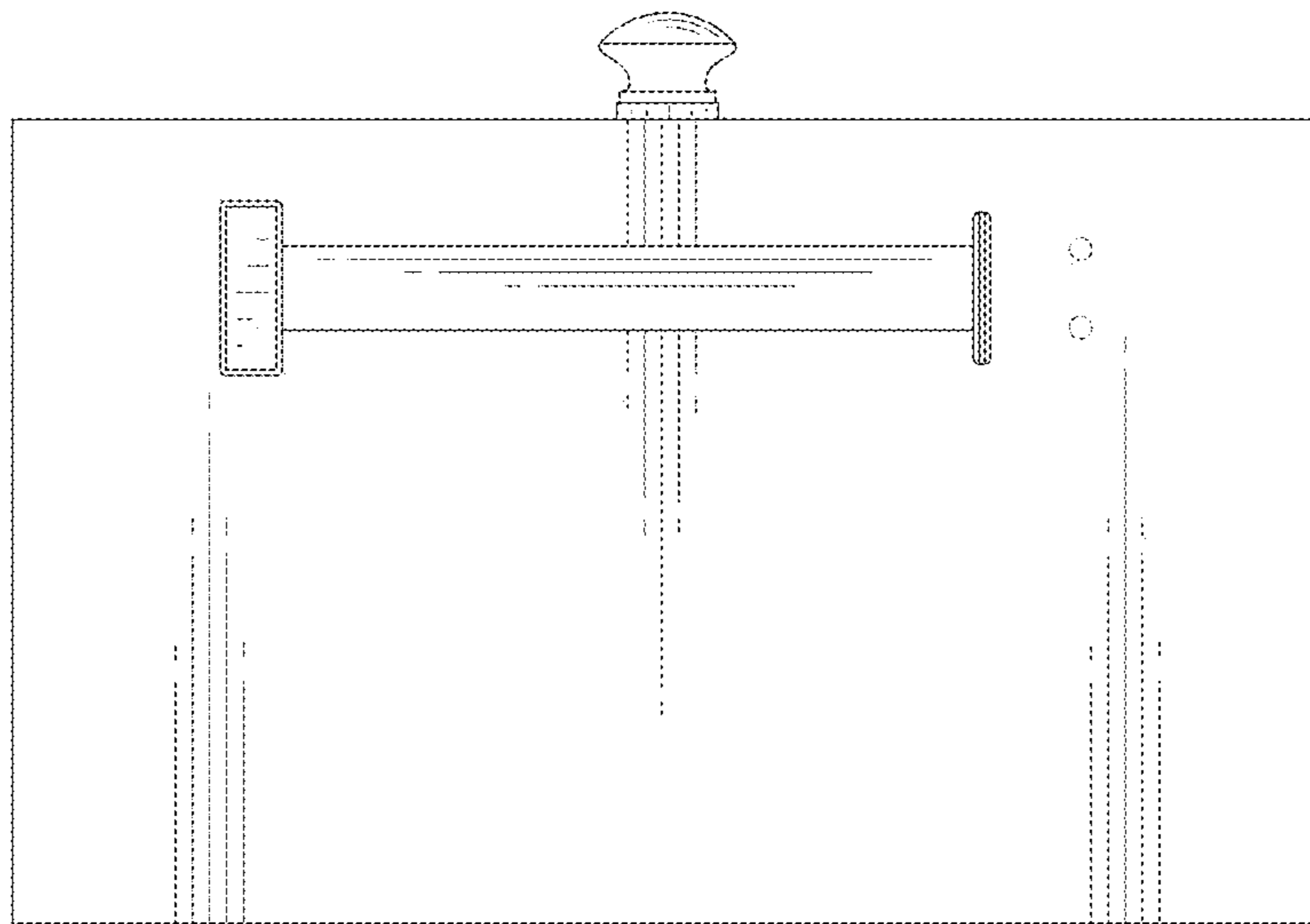


FIG. 9