



US00D983555S

(12) **United States Design Patent** (10) **Patent No.:** **US D983,555 S**
Conrad et al. (45) **Date of Patent:** **** Apr. 18, 2023**

(54) **WRAP DISPENSER WITH RIBBED CORE**

FOREIGN PATENT DOCUMENTS

(71) Applicant: **Pratt Corrugated Holdings, Inc.**,
Brookhaven, GA (US)

DE 1924348 11/1970
DE 202004011730 11/2004

(Continued)

(72) Inventors: **Hannah Conrad**, Memphis, TN (US);
Corey Crane, Atlanta, GA (US); **Travis Walters**, Atlanta, GA (US)

OTHER PUBLICATIONS

(73) Assignee: **Pratt Corrugated Holdings, Inc.**,
Brookhaven, GA (US)

Modern Innovations Store, Mini Stretch Wrap Film with Handle . . . , Jan. 28, 2019, www.amazon.com, https://www.amazon.com/dp/B07N6MSQVR/ref=emc_b_5_i_2 pages (Year: 2019).*

(Continued)

(**) Term: **15 Years**

Primary Examiner — Nathan M Johnston

(21) Appl. No.: **29/713,475**

(74) Attorney, Agent, or Firm — Taylor English Duma LLP

(22) Filed: **Nov. 15, 2019**

(51) **LOC (14) Cl.** **20-02**

(52) **U.S. Cl.**
USPC **D6/518**

(57) **CLAIM**

(58) **Field of Classification Search**
USPC D6/515, 518–521, 522, 523; D3/205,
D3/215, 232, 233, 242, 243, 273, 283
CPC B65B 67/08; B65H 16/04; B65H 75/18;
B65H 75/30

The ornamental design for a wrap dispenser with ribbed core, as shown and described.

See application file for complete search history.

DESCRIPTION

(56) **References Cited**

U.S. PATENT DOCUMENTS

1,364,259 A 1/1921 Eaton
1,451,914 A 4/1923 Kongsrud
1,935,392 A 11/1933 Coninck
2,331,743 A 10/1943 Sullivan
3,856,229 A 12/1974 Bryam
4,102,513 A 7/1978 Guard
4,166,589 A 9/1979 Hooever et al.
4,179,081 A 12/1979 Parry
4,226,380 A 10/1980 Gay
4,248,392 A 2/1981 Parry
4,339,022 A 7/1982 Hoover
4,372,500 A 2/1983 Saraisky
D268,514 S 4/1983 Thompson
4,477,037 A 10/1984 Goldstein

(Continued)

FIG. 1 is a top perspective view of the claimed design showing the claimed dispenser.

FIG. 2 is a bottom perspective view thereof showing the claimed dispenser.

FIG. 3 is a front elevation view thereof, which is identical to a rear elevation view thereof.

FIG. 4 is a right-side elevation view thereof, which is identical to a left-side elevation view thereof.

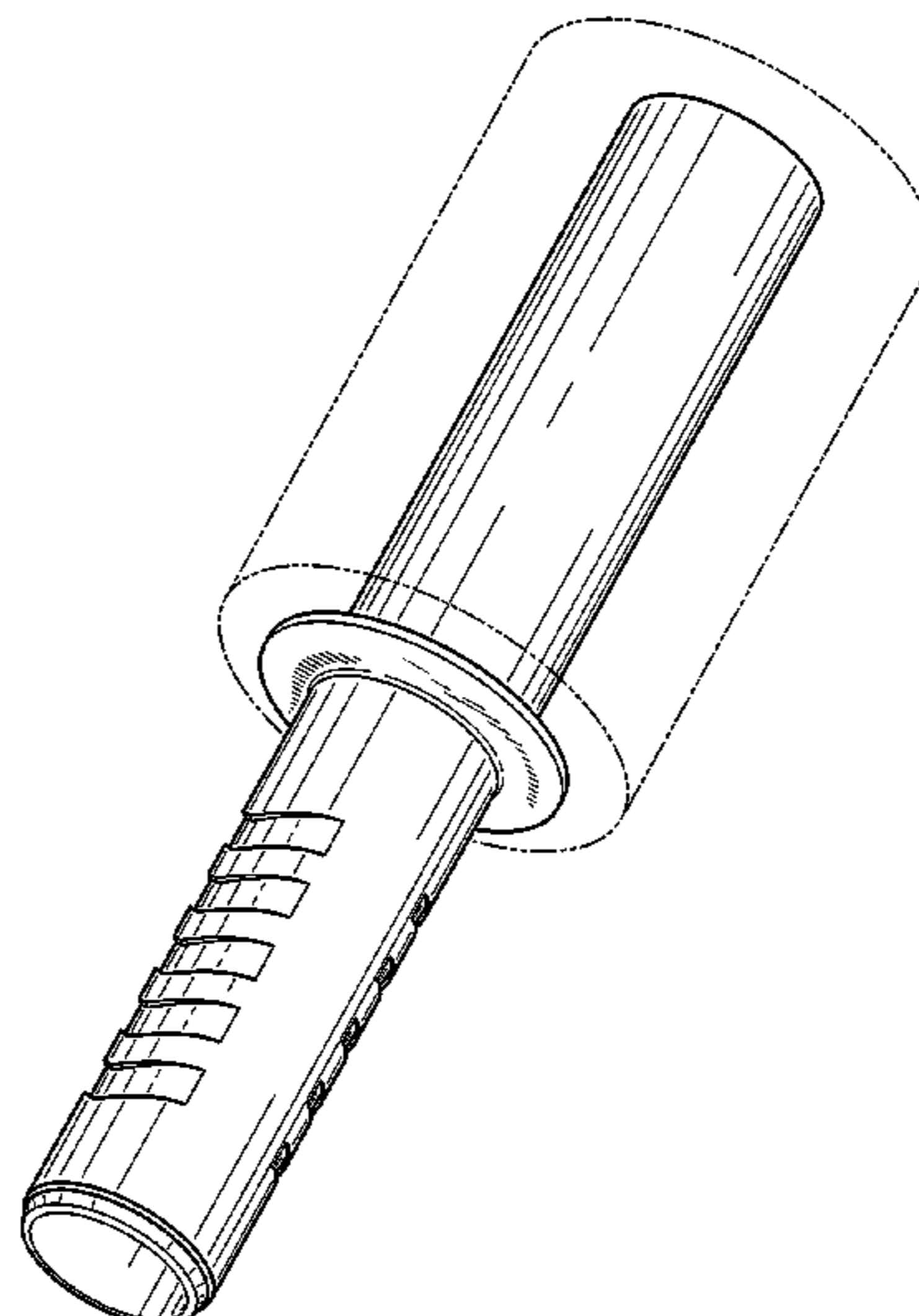
FIG. 5 is a sectional view thereof, taken along line 5-5 in FIG. 4.

FIG. 6 is a top plan view thereof; and,

FIG. 7 is a bottom plan view thereof.

The broken lines showing in the figures is included for the purpose of illustrating portions of the wrap dispenser with ribbed core and form no part of the claimed design.

1 Claim, 5 Drawing Sheets



(56)

References Cited

U.S. PATENT DOCUMENTS

4,484,717 A	11/1984	Goldstein	8,104,705 B2	1/2012	Yu Chen	
4,530,473 A	7/1985	Parry	8,308,102 B2	11/2012	Lin	
4,575,020 A	3/1986	Strout et al.	8,317,124 B2	11/2012	Yu Chen	
4,600,163 A	7/1986	Hummel et al.	8,468,778 B2	6/2013	Windheuser	
4,659,031 A	4/1987	Saraisky	8,578,683 B2	11/2013	Smith	
4,706,442 A	11/1987	Riemenschneider	8,616,490 B2	12/2013	Blok	
4,722,493 A	2/1988	Parry et al.	8,622,332 B2	1/2014	Bologna	
4,752,045 A	6/1988	Goldstein	8,708,267 B2	4/2014	Morgan	
4,784,348 A	11/1988	McDonald	8,783,428 B2	7/2014	Beri	
4,817,762 A	4/1989	Powell	9,010,675 B2	4/2015	Harrison	
4,834,312 A	5/1989	Riemenschneider, III	D738,414 S	9/2015	Chen	
4,872,623 A	10/1989	Parry et al.	9,272,870 B2	3/2016	Stanton	
4,874,139 A	10/1989	Kewin	9,284,085 B2	3/2016	Pace	
4,971,265 A	11/1990	Koch	9,481,536 B2	11/2016	Sager et al.	
5,094,395 A	3/1992	Lambert	9,688,507 B2	6/2017	Stanton	
5,135,179 A	8/1992	Morano	9,731,932 B2	8/2017	Sager et al.	
5,150,852 A	9/1992	Hunt et al.	9,802,722 B1	10/2017	Bison	
5,186,376 A	2/1993	Scharf et al.	D810,797 S	2/2018	Love et al.	
5,190,237 A	3/1993	Fagan	9,908,656 B2	3/2018	Dahlmann et al.	
5,203,517 A	4/1993	Parry et al.	9,926,093 B2	3/2018	Yu Chen	
5,310,074 A	5/1994	Jochem et al.	9,950,896 B2	4/2018	Stanton	
5,351,905 A	10/1994	Ferber	9,988,171 B2	6/2018	Dahlmann et al.	
5,398,884 A	3/1995	Stanford	D823,905 S	7/2018	Walters et al.	
5,409,177 A	4/1995	Parry et al.	10,087,037 B2	10/2018	Sager et al.	
5,453,152 A	9/1995	Mazzola et al.	D832,899 S	11/2018	Walters et al.	
5,490,642 A	2/1996	Schwartz et al.	D833,492 S	11/2018	Stevens et al.	
D371,298 S	7/1996	Reddy et al.	10,150,639 B2	12/2018	Dahlmann et al.	
5,573,630 A	11/1996	Edney et al.	D844,037 S	3/2019	Stevens et al.	
5,664,739 A	9/1997	Black et al.	10,280,036 B2	5/2019	Stanton	
5,868,334 A	2/1999	Cedillo	10,287,122 B2	5/2019	Walters et al.	
5,915,642 A	6/1999	Davis	10,494,213 B2	12/2019	Dahlmann et al.	
5,927,635 A	7/1999	Black et al.	11,040,845 B2	6/2021	Walters et al.	
5,938,142 A	8/1999	Halperin	11,203,509 B2	12/2021	Conrad et al.	
5,961,063 A	10/1999	Parry	11,584,610 B2	2/2023	Conrad et al.	
6,015,111 A	1/2000	Berke	2001/0032904 A1	10/2001	Liu	
6,019,308 A	2/2000	Huang	2002/0070310 A1	6/2002	Liu	
6,027,069 A	2/2000	Huang	2003/0132336 A1	7/2003	Huang	
D424,341 S	5/2000	Anderberg	2003/0141406 A1	7/2003	Liu	
D425,347 S	5/2000	Anderberg	2004/0065577 A1	4/2004	Yu Chen	
6,102,323 A	8/2000	Riemenschneider	2004/0084559 A1	5/2004	Fraser	
D441,994 S *	5/2001	Huggins D6/521	2004/0134820 A1	7/2004	Katayama	
6,227,479 B1	5/2001	Dean et al.	2004/0245282 A1	12/2004	Yu Chen	
6,227,480 B1	5/2001	Huang	2005/0124476 A1	6/2005	Kuhl	
6,398,150 B1	6/2002	Munter et al.	2005/0168047 A1	8/2005	Grier	
6,405,974 B1	6/2002	Herrington	2006/0032965 A1 *	2/2006	Yu Chen B65H 75/185 242/422.4	
6,422,499 B1	7/2002	Bernard et al.	2006/0071118 A1	4/2006	Offerhaus	
6,491,252 B2	12/2002	Komatsu et al.	2006/0175460 A1	8/2006	Hua	
6,508,430 B1	1/2003	Rodriguez	2006/0175462 A1	8/2006	Becker et al.	
6,517,023 B2	2/2003	Rodriguez	2006/0237577 A1	10/2006	Yu Chen	
6,651,918 B2	11/2003	Huang	2006/0278751 A1	12/2006	Yu Chen	
6,676,069 B1	1/2004	Davis	2007/0045465 A1	3/2007	Oettershagen	
6,739,542 B1	5/2004	Prina et al.	2007/0063092 A1	3/2007	Zevin et al.	
6,821,638 B2	11/2004	Obeshaw	2007/0151208 A1	7/2007	Huang	
6,883,298 B2	4/2005	Gooding et al.	2008/0072538 A1	3/2008	Kohn et al.	
6,892,975 B2	5/2005	Yu Chen	2008/0258002 A1	10/2008	Migliaccio	
6,905,045 B2	6/2005	Yu Chen	2009/0044494 A1	2/2009	Northrup	
6,926,225 B1	8/2005	Powers	2009/0127372 A1 *	5/2009	Saraisky B65B 67/085 242/422	
6,997,411 B2	2/2006	Kewin	2009/0308968 A1	12/2009	Piotrowski et al.	
7,017,743 B1	3/2006	Paierson	2010/0044491 A1 *	2/2010	Ritchey A61F 15/005 242/422.4	
7,210,649 B2	5/2007	Yu Chen	2011/0095122 A1	4/2011	Yu Chen	
7,380,744 B1 *	6/2008	Yu Chen B65H 75/185 242/422.4	2011/0095123 A1	4/2011	Bologna	
7,401,449 B2	7/2008	Watson et al.	2011/0233321 A1	9/2011	Yu Chen	
7,438,254 B2	10/2008	Oettershagen	2011/0284680 A1	11/2011	Lin	
D593,464 S	6/2009	Mentis	2012/0153063 A1	6/2012	Furuichi	
7,543,426 B1	6/2009	Phero	2012/0181369 A1	7/2012	Blok	
7,552,891 B2	6/2009	Huang	2012/0217336 A1	8/2012	Yu Chen	
7,665,686 B2	2/2010	Becker et al.	2013/0152384 A1 *	6/2013	Yu Chen B25G 3/20 29/700	
D612,179 S	3/2010	Huang	2014/0110616 A1	4/2014	Freeth	
7,726,600 B2	6/2010	Huang	2014/0116004 A1	5/2014	Pace	
7,762,490 B1	7/2010	Yu Chen	2014/0188020 A1	7/2014	Joseph	
7,866,596 B2	1/2011	Yamada	2015/0166285 A1	6/2015	Stanton	
7,900,421 B2	3/2011	Smith	2016/0137454 A1	5/2016	Stanton	
7,937,915 B2	5/2011	Kohn et al.	2016/0221704 A1 *	8/2016	Dahlmann B65B 67/085	
D649,570 S	11/2011	Chen	2016/0264277 A1 *	9/2016	Dahlmann B65B 67/085	
			2016/0355293 A1	12/2016	Clarke	

(56)

References Cited

U.S. PATENT DOCUMENTS

2017/0137160	A1	5/2017	Yu Chen	
2017/0260020	A1	9/2017	Stanton	
2017/0305621	A1	10/2017	Miller	
2018/0022565	A1*	1/2018	Dahlmann B65H 75/30 242/588.2
2018/0194590	A1	7/2018	Stanton	
2018/0257889	A1	9/2018	Walters et al.	
2018/0362286	A1	12/2018	Huang	
2019/0016549	A1	1/2019	Dahlmann et al.	
2019/0218050	A1	7/2019	Walters et al.	
2021/0147174	A1	5/2021	Conrad et al.	
2022/0073310	A1	3/2022	Conrad et al.	
2022/0073311	A1	3/2022	Conrad et al.	

FOREIGN PATENT DOCUMENTS

EP	0030572	6/1981
EP	0227564	7/1987
EP	0310291	4/1989
EP	0499761	8/1992
FR	2588841	5/1988
FR	2910887	12/2009
GB	2055345	3/1981
GB	2289039	11/1995
GB	2299321	10/1996
GB	2456801	7/2009
GB	2478933	9/2011
JP	H0769349	3/1995
TW	201026567	7/2010
WO	1993010006	5/1993
WO	1995000395	1/1995
WO	2007066194	6/2007

OTHER PUBLICATIONS

Stanton, Christopher M.; Issue Notification for U.S. Appl. No. 14/108,881, filed Dec. 17, 2013, dated Feb. 10, 2016, 1 pg.

Stanton, Christopher M.; Non-Final Office Action for U.S. Appl. No. 14/108,881, filed Dec. 17, 2013, dated Sep. 23, 2015, 29 pgs.

Stanton, Christopher M.; Notice of Allowance for U.S. Appl. No. 14/108,881, filed Dec. 17, 2013, dated Nov. 24, 2015, 5 pgs.

Stanton, Christopher M.; Non-Final Office Action for U.S. Appl. No. 15/001,281, filed Jan. 20, 2016, dated Jan. 11, 2017, 44 pgs.

Stanton, Christopher M.; Issue Notification for U.S. Appl. No. 15/001,281, filed Jan. 20, 2016, dated Jun. 7, 2017, 1 page.

Stanton, Christopher M.; Notice of Allowability for U.S. Appl. No. 15/001,281, filed Jan. 20, 2016, dated Apr. 26, 2017, 6 pgs.

Stanton, Christopher M.; Notice of Allowance for U.S. Appl. No. 15/001,281, filed Jan. 20, 2016, dated Mar. 8, 2017, 5 pgs.

Stanton, Christopher M.; Issue Notification for U.S. Appl. No. 15/606,361, filed May 26, 2017, dated Jan. 4, 2018, 1 pg.

Stanton, Christopher M.; Notice of Allowance for U.S. Appl. No. 15/606,361, filed May 26, 2017, dated Dec. 14, 2017, 30 pgs.

Stanton, Christopher M.; Supplemental Notice of Allowance for U.S. Appl. No. 15/606,361, filed May 26, 2017, dated Jan. 16, 2018, 6 pgs.

Stanton, Christopher M.; Supplemental Notice of Allowance for U.S. Appl. No. 15/606,361, filed May 26, 2017, dated Dec. 28, 2017, 4 pgs.

Stanton, Christopher M.; Supplemental Notice of Allowance for U.S. Appl. No. 15/606,361, filed May 26, 2017, dated Mar. 22, 2018, 6 pgs.

Stanton, Christopher M.; Issue Notification for U.S. Appl. No. 15/916,992, filed Mar. 9, 2018, dated Apr. 17, 2019, 1 pg.

Stanton, Christopher M.; Non-Final Office Action for U.S. Appl. No. 15/916,992, filed Mar. 9, 2018, dated May 16, 2018, 25 pgs.

Stanton, Christopher M.; Notice of Allowance for U.S. Appl. No. 15/916,992, filed Mar. 9, 2018, dated Nov. 1, 2018, 16 pgs.

Stanton, Christopher M.; Supplemental Notice of Allowance for U.S. Appl. No. 15/916,992, filed Mar. 9, 2018, dated Nov. 21, 2018, 7 pgs.

Stanton, Christopher M.; Supplemental Notice of Allowance for U.S. Appl. No. 15/916,992, filed Mar. 9, 2018, dated Nov. 8, 2018, 2 pgs.

Dahlmann, Deborah A.; Advisory Action for U.S. Appl. No. 14/609,567, filed Jan. 30, 2015, dated Jan. 24, 2017, 4 pgs.

Dahlmann, Deborah A.; Final Office Action for U.S. Appl. No. 14/609,567, filed Jan. 30, 2015, dated Oct. 20, 2016; 11 pgs.

Dahlmann, Deborah A.; Issue Notification for U.S. Appl. No. 14/609,567, filed Jan. 30, 2015, dated Feb. 14, 2018, 1 pg.

Dahlmann, Deborah A.; Notice of Allowance for U.S. Appl. No. 14/609,567, filed Jan. 30, 2015, dated Jul. 6, 2017, 17 pgs.

Dahlmann, Deborah A.; Issue Notification for U.S. Appl. No. 14/642,940, filed Mar. 10, 2015, dated May 16, 2018, 1 pg.

Dahlmann, Deborah A.; Non-Final Office Action for U.S. Appl. No. 14/642,940, filed Mar. 10, 2015, dated Oct. 11, 2017, 48 pgs.

Dahlmann, Deborah A.; Notice of Allowance for U.S. Appl. No. 14/642,940, filed Mar. 10, 2015, dated Apr. 2, 2018, 9 pgs.

Dahlmann, Deborah A.; Supplemental Notice of Allowance for U.S. Appl. No. 14/642,940, filed Mar. 10, 2015, dated Apr. 13, 2018, 6 pgs.

Dahlmann, Deborah A.; Non-Final Office Action for U.S. Appl. No. 14/609,567, filed Jan. 30, 2015, dated Jun. 16, 2016, 38 pgs.

Dahlmann, Deborah; Supplemental Notice of Allowance for U.S. Appl. No. 14/642,940, filed Mar. 10, 2015, dated May 9, 2018, 6 pgs.

Dahlmann, Deborah A.; Issue Notification for U.S. Appl. No. 15/215,025, filed Jul. 20, 2016, dated Oct. 10, 2018, 1 pg.

Dahlmann, Deborah A.; Issue Notification for U.S. Appl. No. 15/215,025, filed Jul. 20, 2016, dated Nov. 20, 2018, 1 pg.

Dahlmann, Deborah A.; Supplemental Notice of Allowance for U.S. Appl. No. 15/215,025, filed Jul. 20, 2016, dated Aug. 29, 2018, 6 pgs.

Dahlmann, Deborah A.; Supplemental Notice of Allowance for U.S. Appl. No. 15/215,025, filed Jul. 20, 2016, dated Sep. 27, 2018, 6 pgs.

Dahlmann, Deborah; Non-Final Office Action for U.S. Appl. No. 15/215,025, filed Jul. 20, 2016, dated Apr. 30, 2018, 49 pgs.

Dahlmann, Deborah; Notice of Allowance for U.S. Appl. No. 15/215,025, filed Jul. 20, 2016, dated Jun. 26, 2018, 10 pgs.

Dahlmann, Deborah; Supplemental Notice of Allowance for U.S. Appl. No. 15/215,025, filed Jul. 20, 2016, dated Nov. 6, 2018, 7 pgs.

Dahlmann, Deborah A.; Non-Final Office Action for U.S. Appl. No. 16/135,743, filed Sep. 19, 2018, dated Oct. 30, 2018, 28 pgs.

Dahlmann, Deborah A.; Notice of Allowance for U.S. Appl. No. 16/135,743, filed Sep. 19, 2018, dated Sep. 23, 2019, 19 pgs.

Dahlmann, Deborah A.; Supplemental Notice of Allowance for U.S. Appl. No. 16/135,743, filed Sep. 19, 2018, dated Oct. 17, 2019, 6 pgs.

Walters, Travis; Issue Notification for U.S. Appl. No. 15/454,415, filed Mar. 9, 2017, dated Apr. 24, 2019, 1 pg.

Walters, Travis; Non-Final Office Action for U.S. Appl. No. 15/454,415, filed Mar. 9, 2017, dated Oct. 5, 2018, 52 pgs.

Walters, Travis; Notice of Allowance for U.S. Appl. No. 15/454,415, filed Mar. 9, 2017, dated Jan. 7, 2019, 12 pgs.

Walters, Travis; Supplemental Notice of Allowance for U.S. Appl. No. 15/454,415, filed Mar. 9, 2017, dated Feb. 22, 2019, 6 pgs.

amazon.com; Article entitled: "Goodwrappers VSR PRD15005 Linear Low Density Polyethylene Clear Cast Hand Stretch Wrap with 1 Reusable Dispenser and Hand Brake, 650' Lengthx5" Widthx150 Gauge Thick (Case of 12)", publicly available prior to Apr. 12, 2019, 5 pgs.

American Paper & Twine Co.; Article entitled: Classic Films Hand Stretch Banding Bundling Film, publicly available prior to Apr. 12, 2019, 2 pgs.

Medwest Inc; Article entitled: "Flex-i-Wrap", publicly available prior to Apr. 12, 2019, 4 pgs.

MIPAQ; Article entitled: "W810—Hand wrap dispenser for 100mm Stretch Wrap", publicly available prior to Apr. 12, 2019, 2 pgs.

(56)

References Cited

OTHER PUBLICATIONS

walmart.com; Article entitled: "Hand Stretch Wrap, Red, 1000 ft. L, 3 in W, PK415A903", publicly available prior to Apr. 12, 2019, 5 pgs.

Walters, Travis; Issue Notification for Design U.S. Appl. No. 29/596,584, filed Mar. 9, 2017, dated Jul. 4, 2018, 1 pg.

Walters, Travis; Notice of Allowance for U.S. Appl. No. 29/596,584, filed Mar. 9, 2017, dated May 7, 2018, 40 pgs.

Walters, Travis; Supplemental Notice of Allowability for U.S. Design U.S. Appl. No. 29/596,584, filed Mar. 9, 2017, dated Jun. 25, 2018, 8 pgs.

Walters, Travis; Issue Notification for U.S. Appl. No. 29/649,781, filed Jun. 1, 2018, dated Oct. 17, 2018, 1 pg.

Conrad, Hannah; Notice of Allowance for U.S. Appl. No. 16/685,520, filed Nov. 15, 2019, dated Sep. 10, 2021, 15 pgs.

Walters, Travis; Non-Final Office Action for U.S. Appl. No. 16/365,730, filed Mar. 27, 2019, dated Dec. 3, 2020, 44 pgs.

Goodwrappers; "Unitization products by Goodwrappers, include hand wrappers, replacement rolls, core handwrap, generic and disposable hand wrap", Apr. 7, 2010, located at <https://web.archive.org/web/20100407080537/http://www.goodwrappers.com/prod_unit.asp>, 4 pgs.

Vestil Manufacturing; "Stretch Wrap Dispensers", located at <http://www.vestilmfg.com/products/mhequip/stretch_wrap_dispensers.htm>, Copyright 2014, accessed on Aug. 11, 2014, 2 pgs.

Images of Braking Wrap Film Dispenser, publicly available prior to Dec. 17, 2012, 12 pgs.

"Stretch film—BK Holder" www.benkaico.com/product-area/stretch-film-bk-holder (Accessed Jun. 10, 2013), 2 pgs."

"Stretch Film Dispenser—Hand Core Insert 3" www.aaabalingandstrapping.com http://www.aaabalingandstrapping.com/index.php?main_page=product_info&c_Path=8&products_id=183&zenid=3tkfdrfajbi8ha9ducbdvfclv4 (Accessed Jun. 10, 2013), 2 pgs."

"Hand Savers Stretch Wrap Film Hand Dispenser" www.ebay.com <http://www.ebay.com/itm/Hand-Savers-Stretch-Wrap-Film-Hand-Dispenser-1-set-/251286375179> (Accessed Jun. 10, 2013), 3 pgs."

Walters, Travis; Supplemental Notice of Allowance for Design U.S. Appl. No. 29/649,781, filed Jun. 1, 2018, dated Sep. 24, 2018, 7 pgs.

Walters, Travis; Supplemental Notice of Allowance for U.S. Appl. No. 29/649,781, filed Jun. 1, 2018, dated Sep. 10, 2018, 3 pgs.

Walters, Travis; Notice of Allowance for Design U.S. Appl. No. 29/649,781, filed Jun. 1, 2018, dated Aug. 31, 2018, 29 pgs.

Conrad, Hannah; Non-Final Office Action for U.S. Appl. No. 16/685,520, filed Nov. 15, 2019, dated Jun. 8, 2021, 41 pgs.

Walters, Travis; Applicant-Initiated Interview Summary for U.S. Appl. No. 16/365,730, filed Mar. 27, 2019, dated Feb. 23, 2021, 6 pgs.

Walters, Travis; Notice of Allowance for U.S. Appl. No. 16/365,730, filed Mar. 27, 2019, dated Mar. 10, 2021, 12 pgs.

Conrad, Hannah; Non-Final Office Action for U.S. Appl. No. 17/526,704, filed Nov. 15, 2021, dated Sep. 28, 2022, 46 pgs.

Conrad, Hannah; Notice of Allowance for U.S. Appl. No. 17/526,704, filed Nov. 15, 2021, dated Nov. 8, 2022, 9 pgs.

Conrad, Hannah; Non-Final Office Action for U.S. Appl. No. 17/526,708, filed Nov. 15, 2021, dated Sep. 29, 2022, 51 pgs.

Conrad, Hannah; Notice of Allowance for U.S. Appl. No. 17/526,708, filed Nov. 15, 2021, dated Oct. 27, 2022, 5 pgs.

* cited by examiner

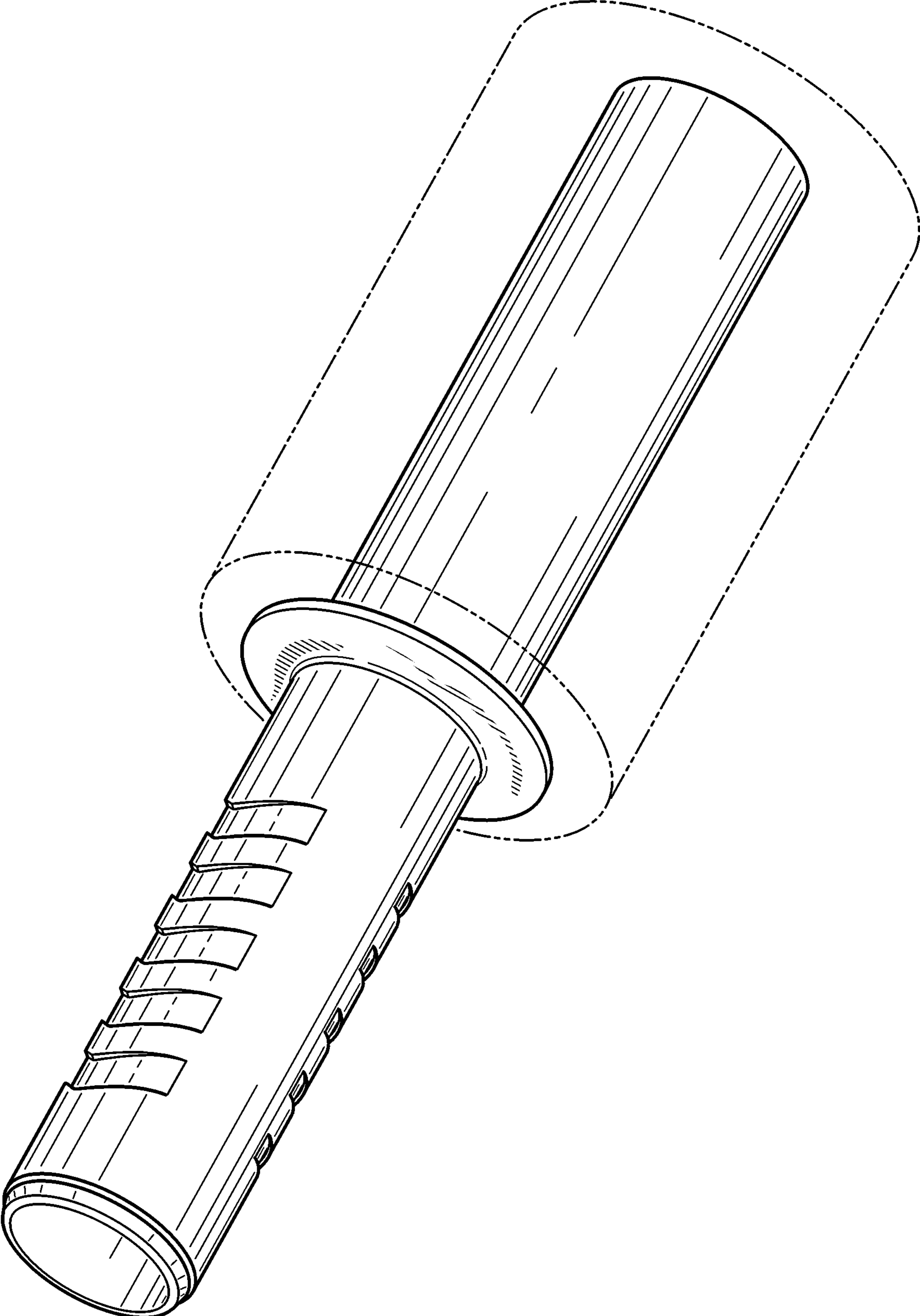


FIG. 1

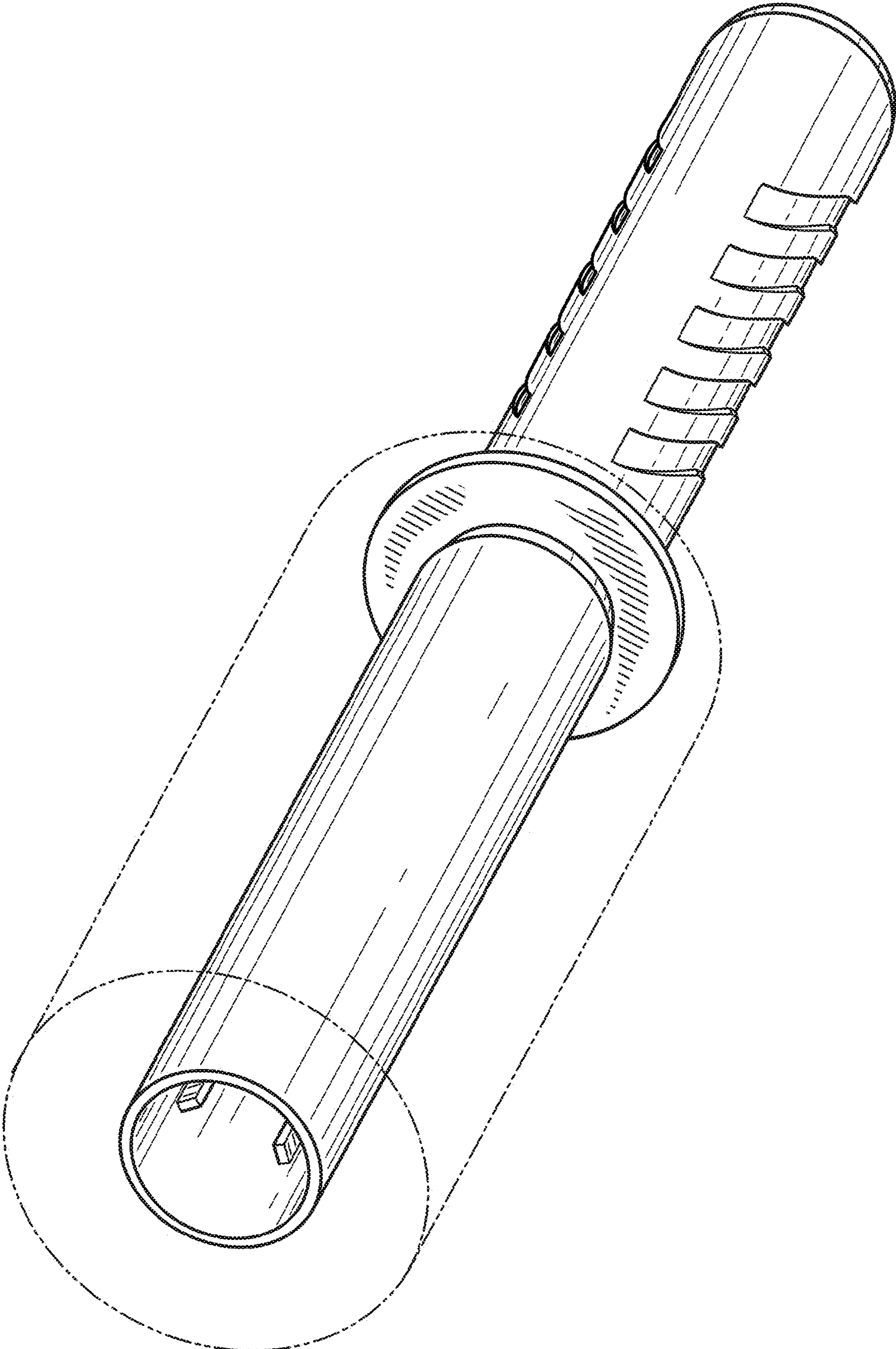


FIG. 2

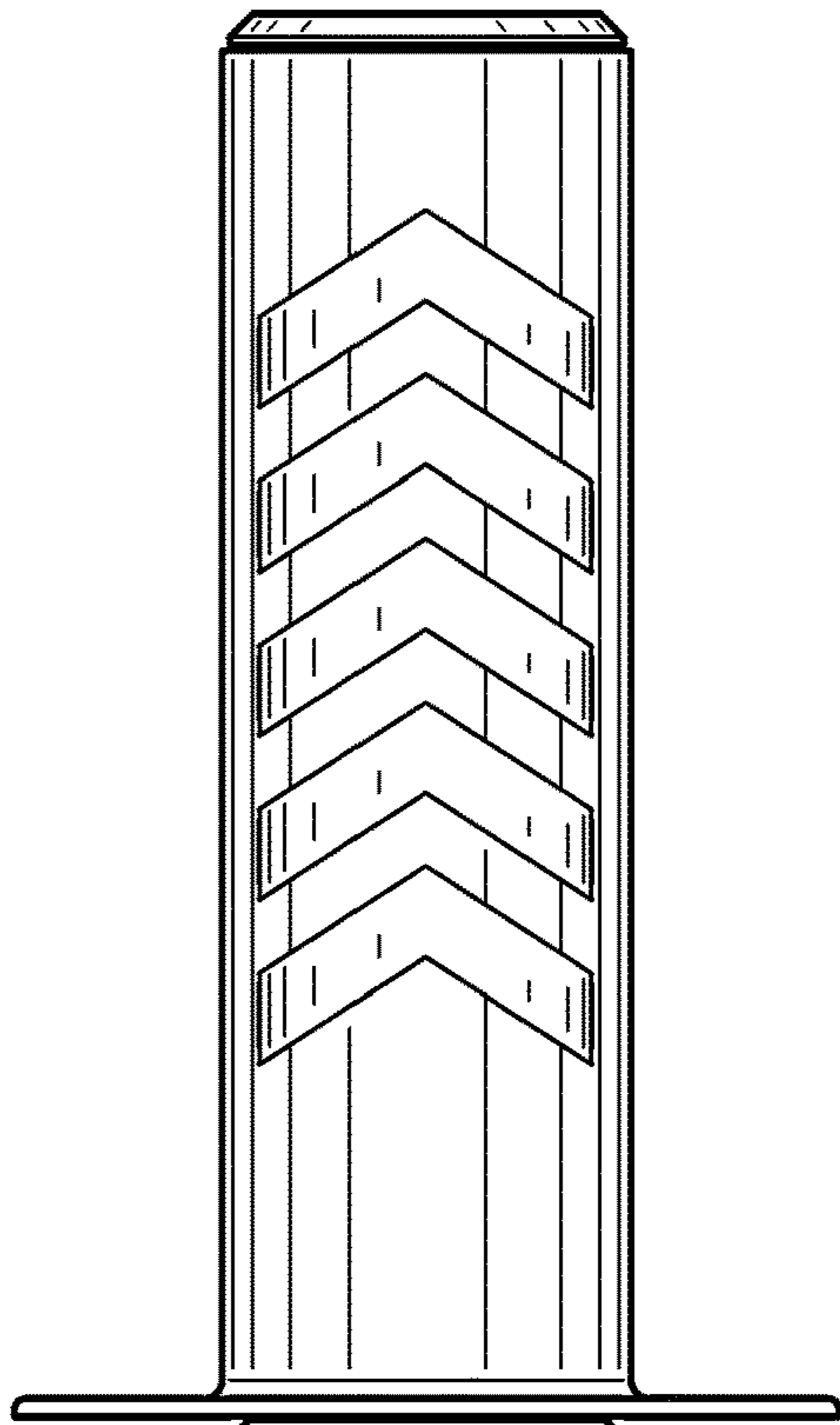


FIG. 3

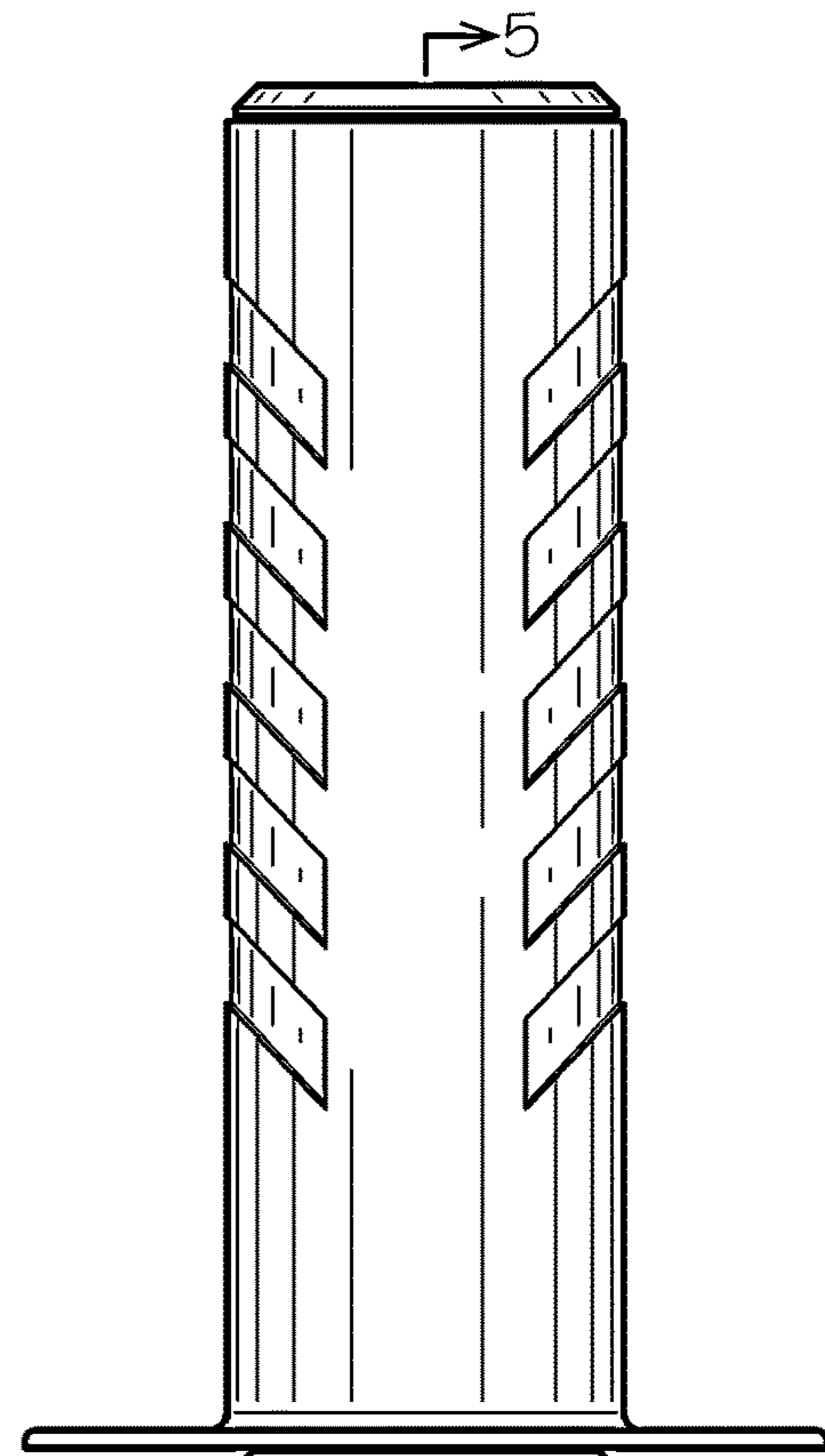
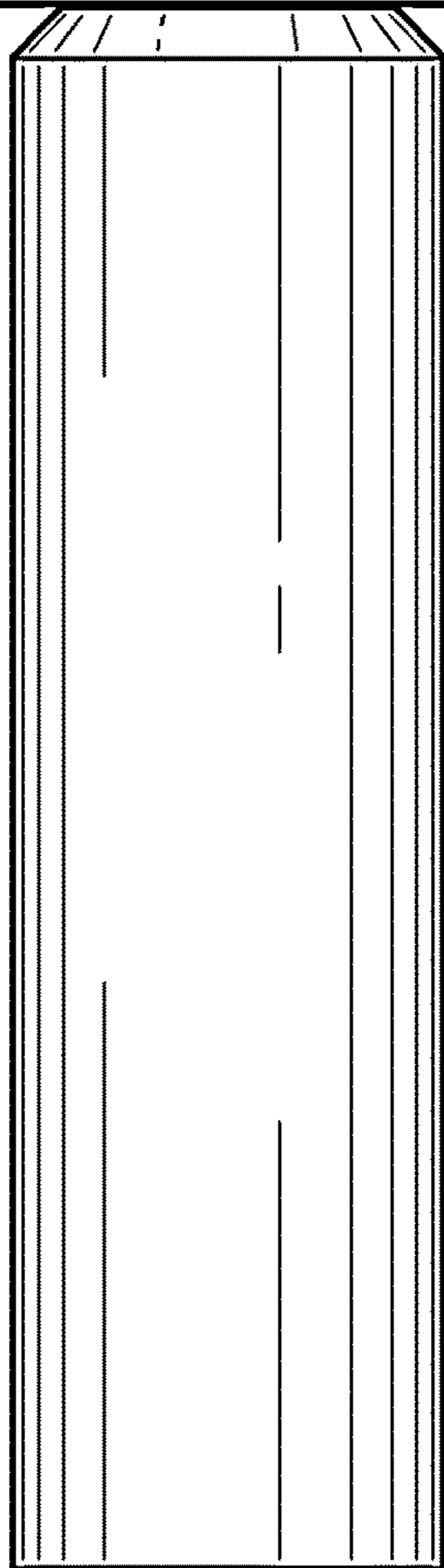
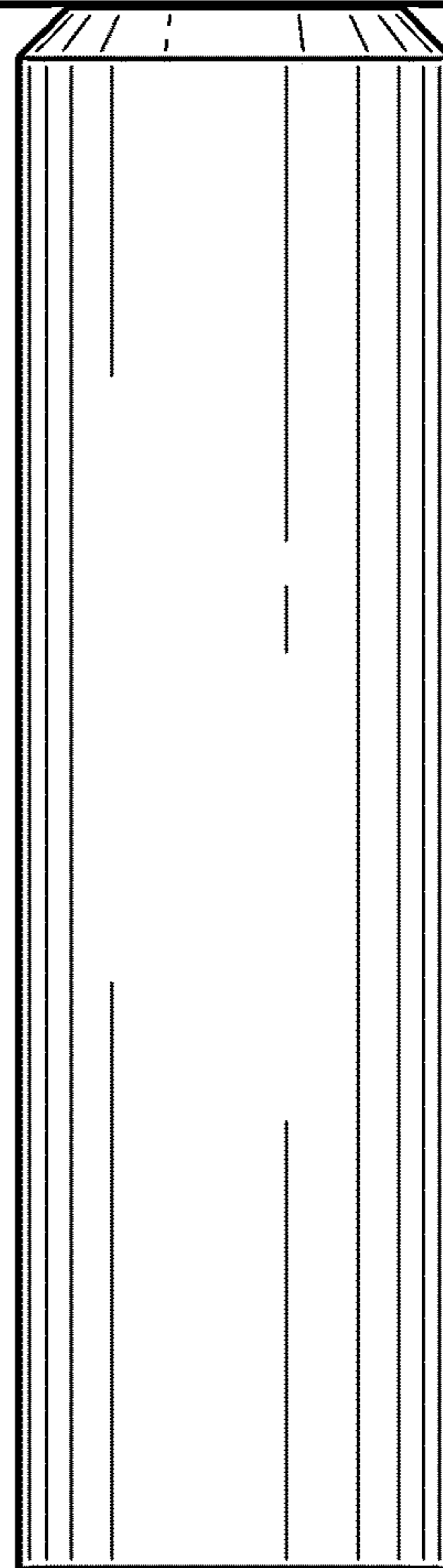


FIG. 4



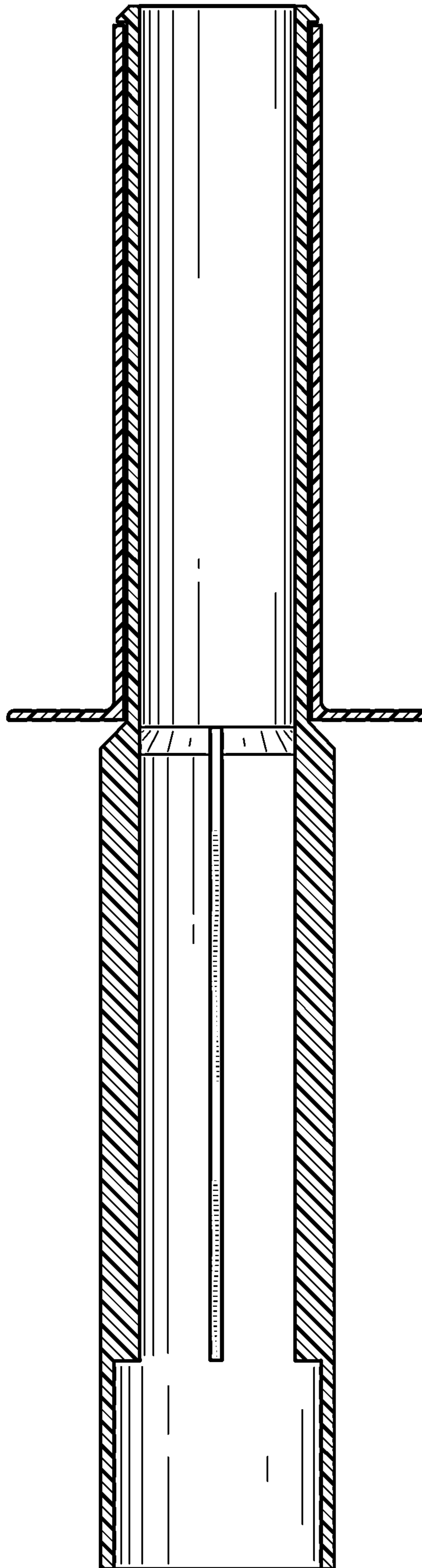


FIG. 5

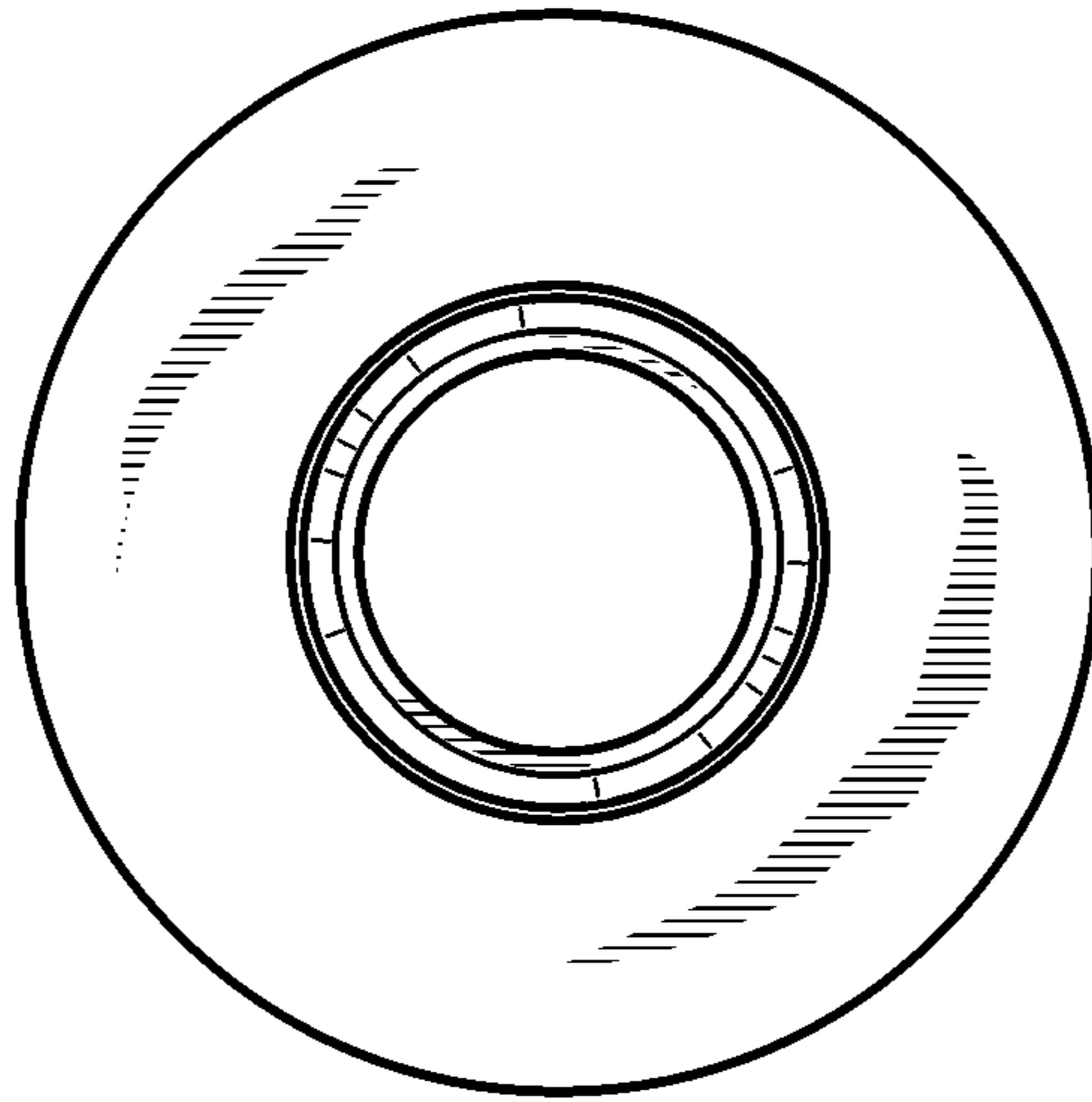


FIG. 6

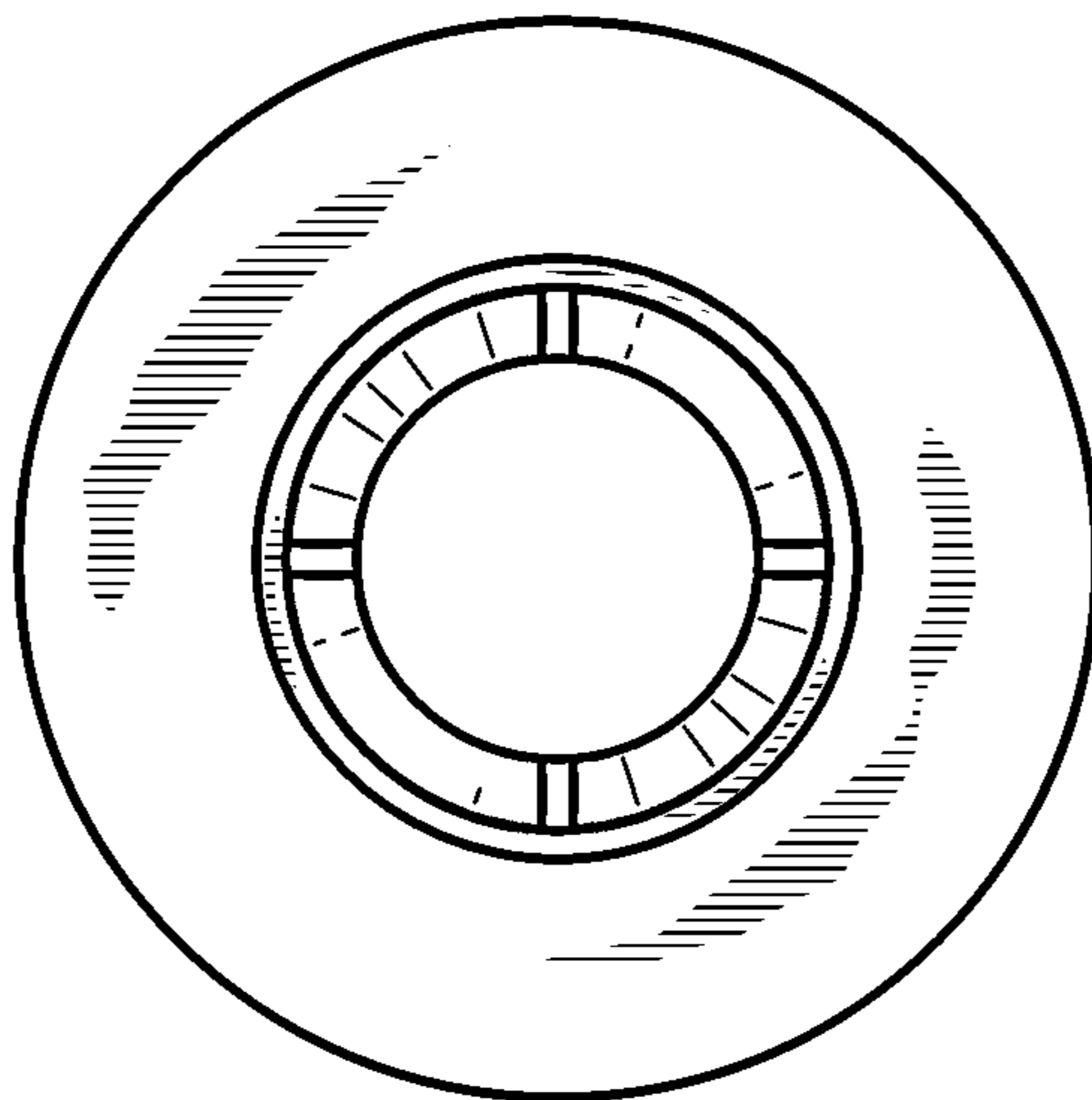


FIG. 7