



US00D983553S

(12) **United States Design Patent** (10) **Patent No.:** **US D983,553 S**  
**Nakamura et al.** (45) **Date of Patent:** **\*\* Apr. 18, 2023**

(54) **BED**  
(71) Applicant: **Williams-Sonoma, Inc.**, San Francisco, CA (US)

D862,944 S \* 10/2019 Nakamura ..... D6/671.1  
D883,703 S \* 5/2020 Gartler ..... D6/393  
D974,793 S \* 1/2023 Chen ..... D6/393

(72) Inventors: **Evan Nakamura**, Walnut Creek, CA (US); **Kasey Hovencamp**, Mill Valley, CA (US)

FOREIGN PATENT DOCUMENTS  
KR 301054247.0000 \* 4/2020  
KR 301190829.0000 \* 11/2022  
KR 301194254.0000 \* 12/2022  
WO WOD084856-002 \* 11/2014

(73) Assignee: **Williams-Sonoma, Inc.**, San Francisco, CA (US)

OTHER PUBLICATIONS

(\*\*) Term: **15 Years**

Vecelo Full Platform Bed Frame, posted unknown [online], [retrieved Feb. 21, 2023]. Retrieved from internet, <https://www.amazon.com/VECELO-Platform-Mattress-Foundation-Headboard/dp/B09MYDTK5L?th=1> (Year: 2023).\*  
BME Vivian 14 Inch Deluxe Bed Frame, posted unknown [online], [retrieved Feb. 21, 2023]. Retrieved from internet, <https://www.amazon.com/Bme-Vivian-Deluxe-Frame-Headboard/dp/B0B3MQTGL1> (Year: 2023).\*

(21) Appl. No.: **29/787,851**

(22) Filed: **Jun. 9, 2021**

(51) **LOC (14) Cl.** ..... **06-02**

(52) **U.S. Cl.**  
USPC ..... **D6/393**

(58) **Field of Classification Search**  
USPC ..... D6/393, 382-384, 394, 395, 718.13, D6/718.21, 718.25  
CPC ..... A47C 19/00; A47C 19/005; A47C 19/021; A47C 19/022  
See application file for complete search history.

(Continued)

*Primary Examiner* — Kevin K Rudzinski  
*Assistant Examiner* — Jeremy S. Swartz  
(74) *Attorney, Agent, or Firm* — Cook Alex Ltd.

(56) **References Cited**

(57) **CLAIM**

The ornamental design for a bed, as shown and described.

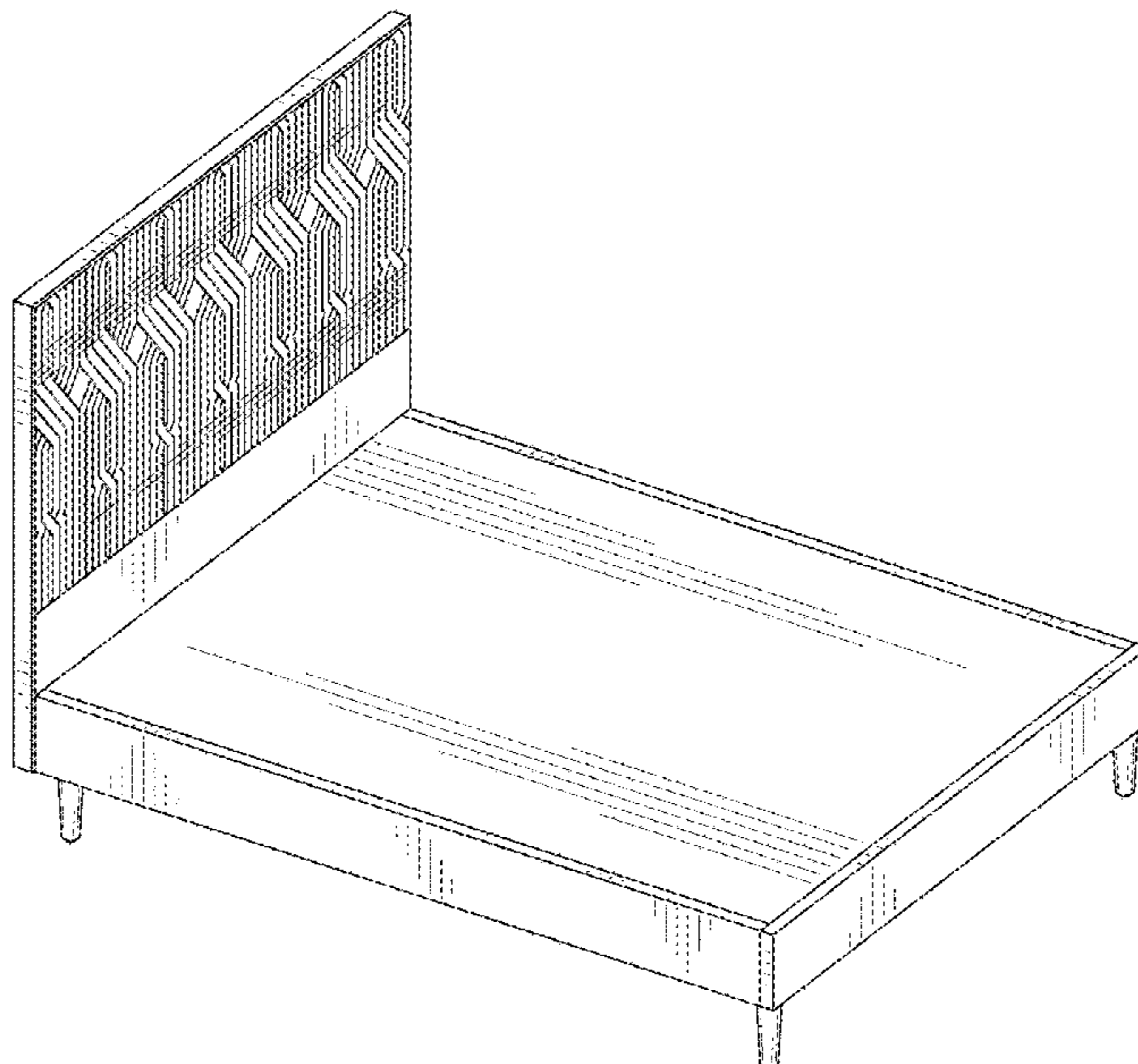
U.S. PATENT DOCUMENTS

**DESCRIPTION**

D88,180 S \* 11/1932 Van De Riet ..... D6/393  
D453,639 S \* 2/2002 Dordoni ..... D6/393  
D495,521 S \* 9/2004 Dordoni ..... D6/393  
D543,051 S \* 5/2007 Kingsley ..... D6/393  
D546,578 S \* 7/2007 Juneau ..... D6/393  
D557,926 S \* 12/2007 Boerner ..... D6/393  
D564,778 S \* 3/2008 Juneau ..... D6/393  
D613,519 S \* 4/2010 Sadler ..... D6/393  
D734,052 S \* 7/2015 Glattstein ..... D6/393  
D853,146 S \* 7/2019 Lee ..... D6/395

FIG. 1 is a perspective view of the bed;  
FIG. 2 is a front elevational view thereof;  
FIG. 3 is a rear elevational view thereof;  
FIG. 4 is a right side elevational view thereof, the opposite side of which is a mirror image;  
FIG. 5 is a top plan view thereof; and,  
FIG. 6 is a bottom plan view thereof.

**1 Claim, 6 Drawing Sheets**



(56)

**References Cited**

OTHER PUBLICATIONS

Kira Bed, posted unknown [online], [retrieved Feb. 21, 2023]. Retrieved from internet, <https://www.urbanoutfitters.com/shop/kira-bed?color=020&type=REGULAR&size=QUEEN&quantity=1> (Year: 2023).\*

Hensley Reclaimed Wood Platform Bed, posted unknown [online], [retrieved Feb. 21, 2023]. Retrieved from internet, <https://www.potterybarn.com/products/hensley-reclaimed-wood-bed/?pkey=cbeds-headboards> (Year: 2023).\*

\* cited by examiner

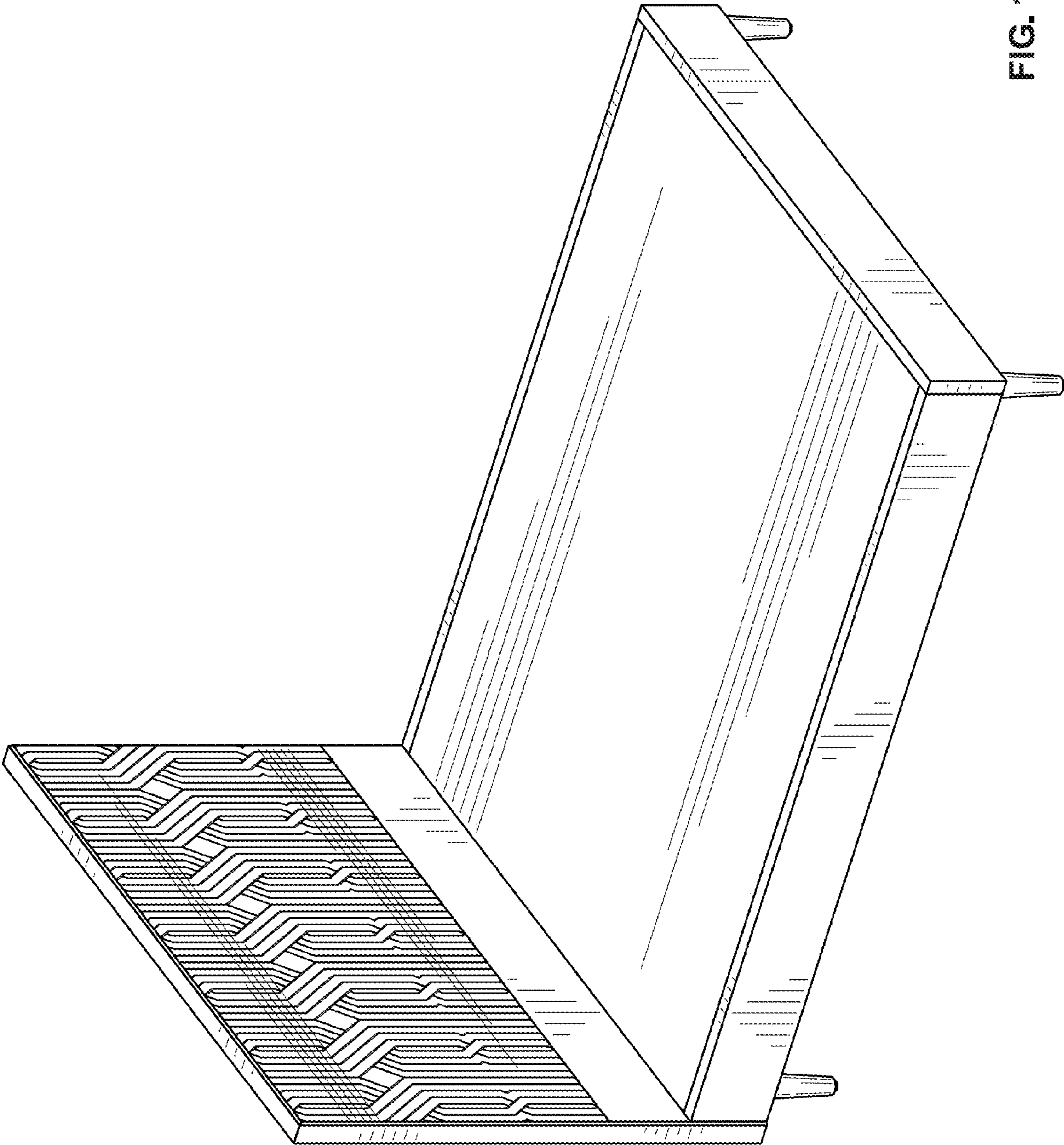


FIG. 1



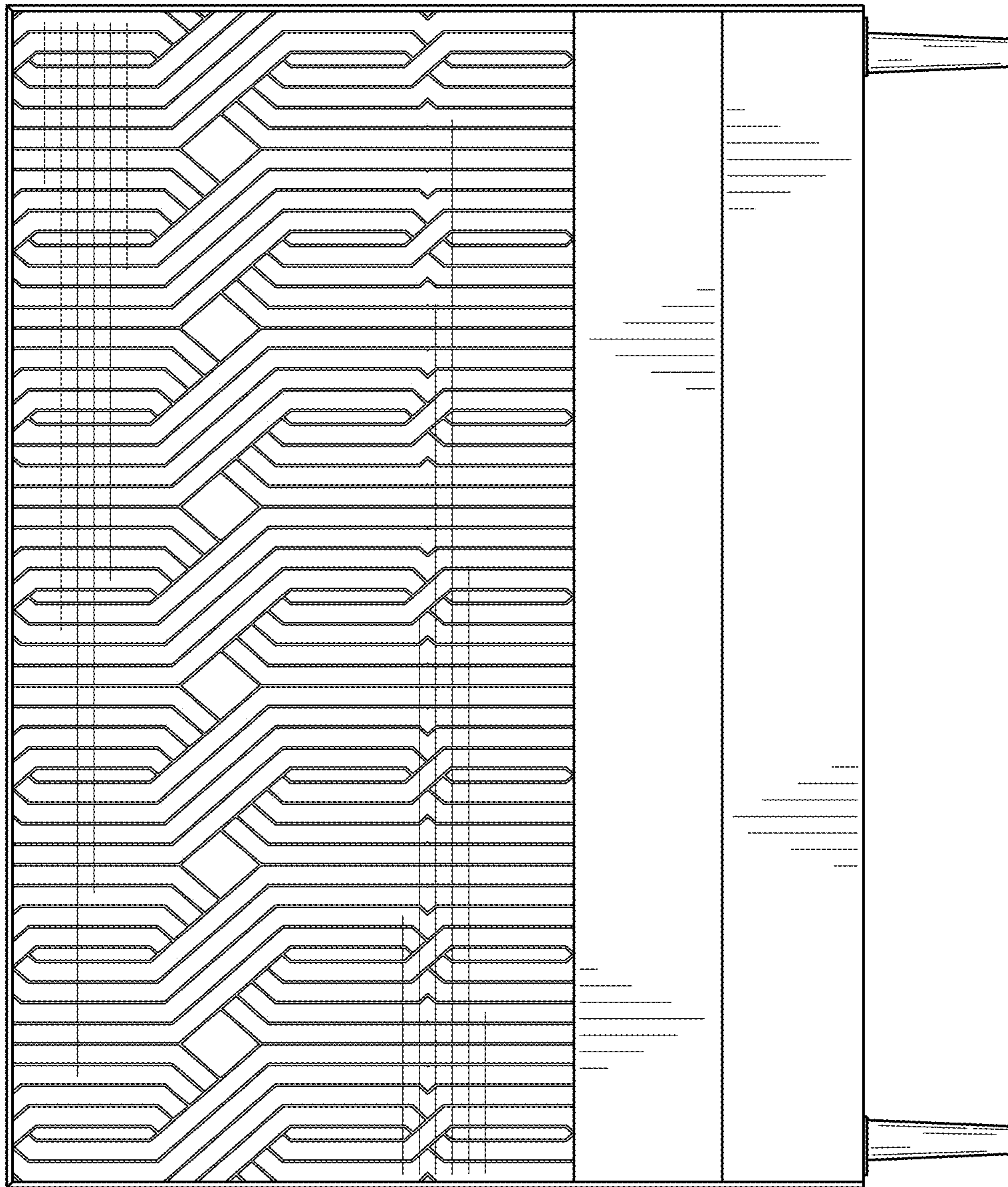


FIG. 2

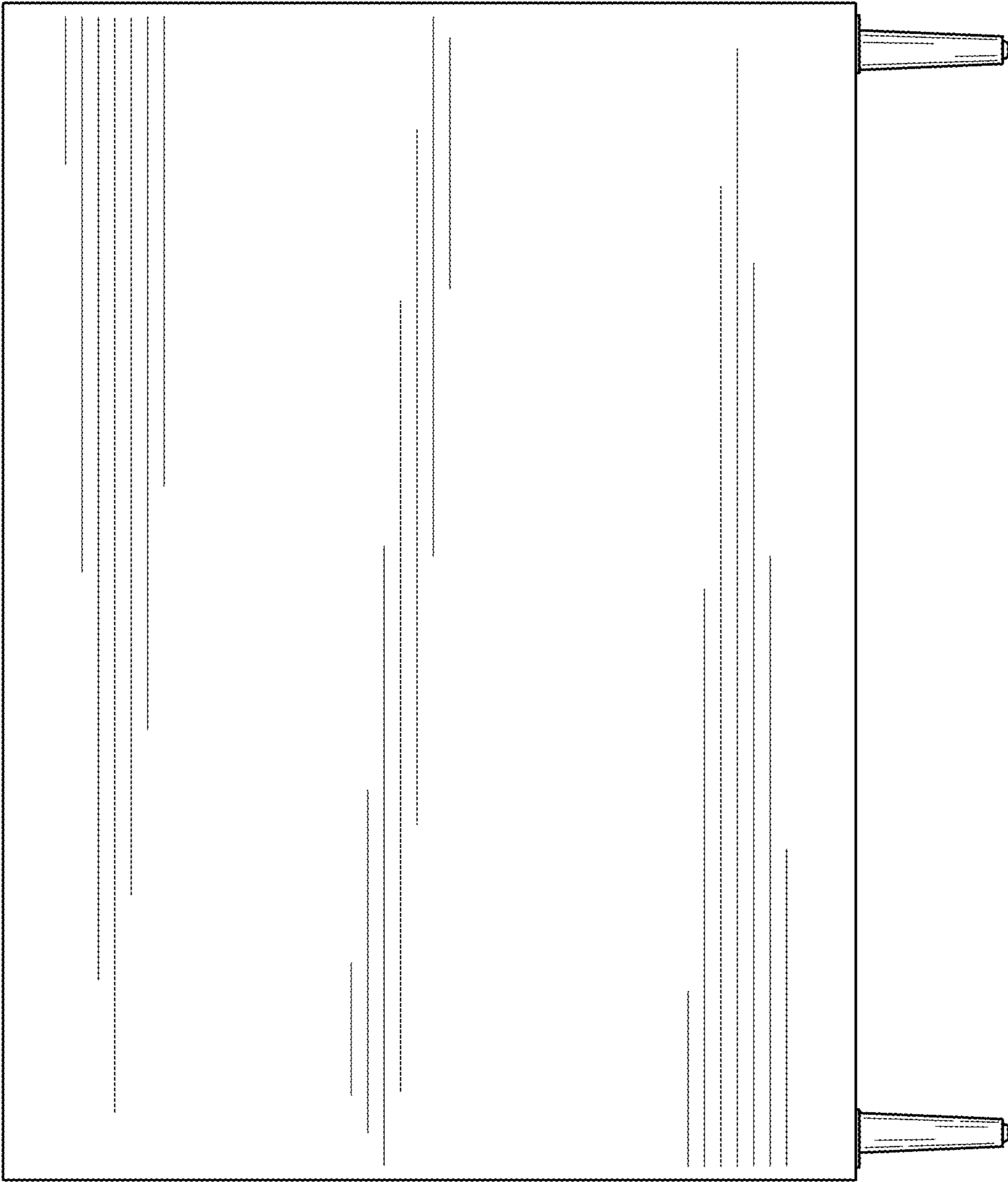


FIG. 3

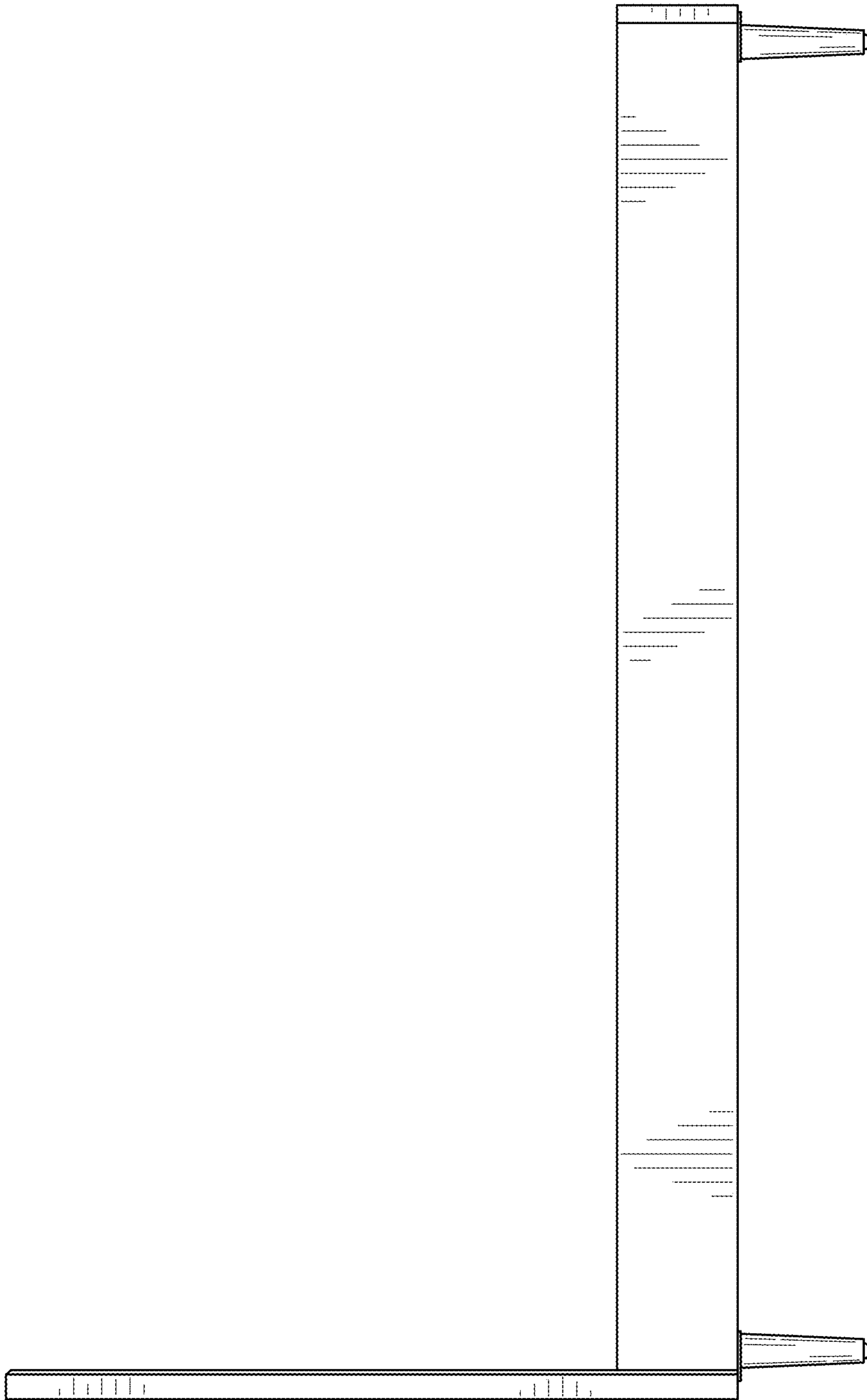


FIG. 4

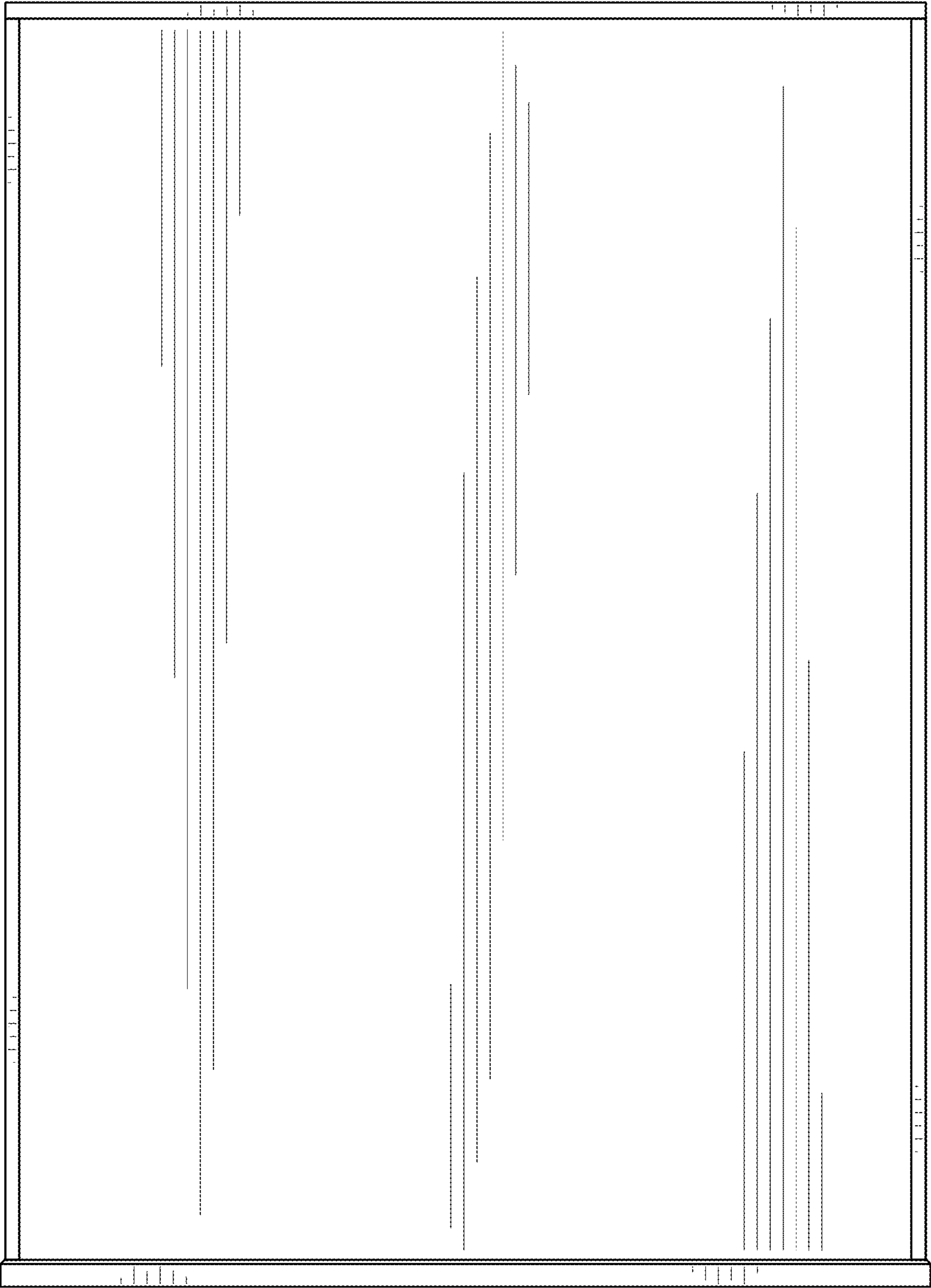


FIG. 5

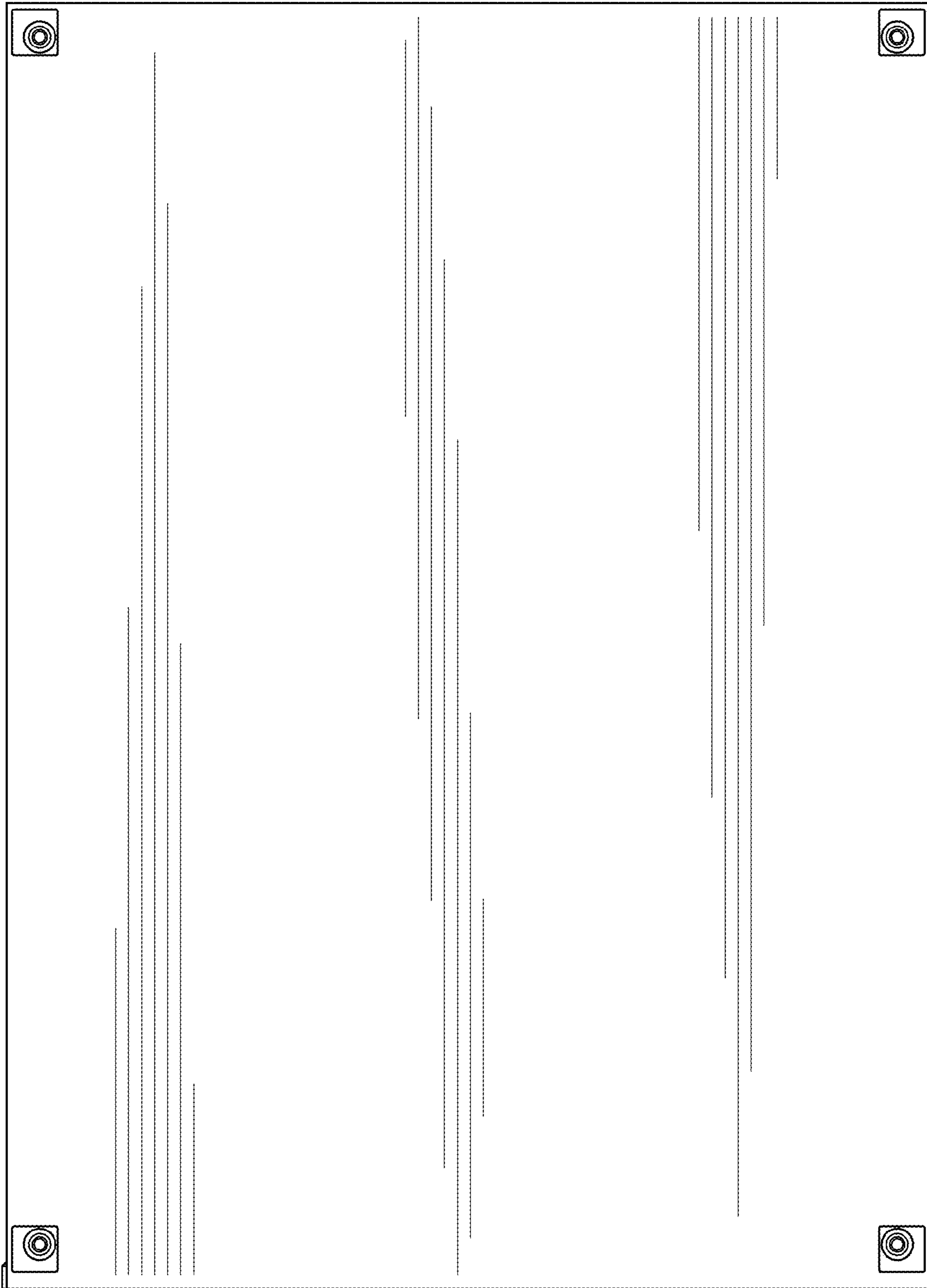


FIG. 6