



US00D983552S

(12) **United States Design Patent**  
**Santocono et al.**

(10) **Patent No.:** **US D983,552 S**  
(45) **Date of Patent:** **\*\* Apr. 18, 2023**

(54) **BASSINET**

A47D 13/065; B62B 9/102; B62B 9/12;  
B62B 9/10; B62B 9/00

(71) Applicant: **THORLEY INDUSTRIES LLC**,  
Pittsburgh, PA (US)

See application file for complete search history.

(72) Inventors: **Juan Santocono**, Capital Federal (AR);  
**Gustavo Fontana**, Framingham, MA  
(US); **Michael E. Laude**, Upton, MA  
(US); **Maxwell Thorne**, Pittsburgh, PA  
(US); **Matthew French**, Pittsburgh, PA  
(US); **Daniel Silianoff**, Hampton  
Township, PA (US)

(56) **References Cited**

U.S. PATENT DOCUMENTS

320,316	A	10/1991	Arnold	
780,472	A1	3/2017	Behar et al.	
848,175	A1	5/2019	Behar et al.	
889,878	A1	7/2020	Karp et al.	
D889,878	S *	7/2020	Karp .....	D6/390
D898,405	S *	10/2020	Bowers .....	D6/391
D905,462	S *	12/2020	Jeidel .....	D6/391
D922,089	S *	6/2021	Holper .....	D6/391
D933,993	S *	10/2021	Karp .....	D6/390
D961,954	S *	8/2022	Clemmer .....	D6/391

(73) Assignee: **THORLEY INDUSTRIES LLC**,  
Pittsburgh, PA (US)

\* cited by examiner

(\*\*) Term: **15 Years**

*Primary Examiner* — Abraham Bahta

(21) Appl. No.: **29/785,305**

(74) *Attorney, Agent, or Firm* — Perman & Green, LLP

(22) Filed: **May 25, 2021**

**Related U.S. Application Data**

(57) **CLAIM**

(63) Continuation-in-part of application No. 29/696,141,  
filed on Jun. 25, 2019, now Pat. No. Des. 920,077.

The ornamental design for a bassinet, as shown and  
described.

(51) **LOC (14) Cl.** ..... **06-02**

**DESCRIPTION**

(52) **U.S. Cl.**

USPC ..... **D6/390**

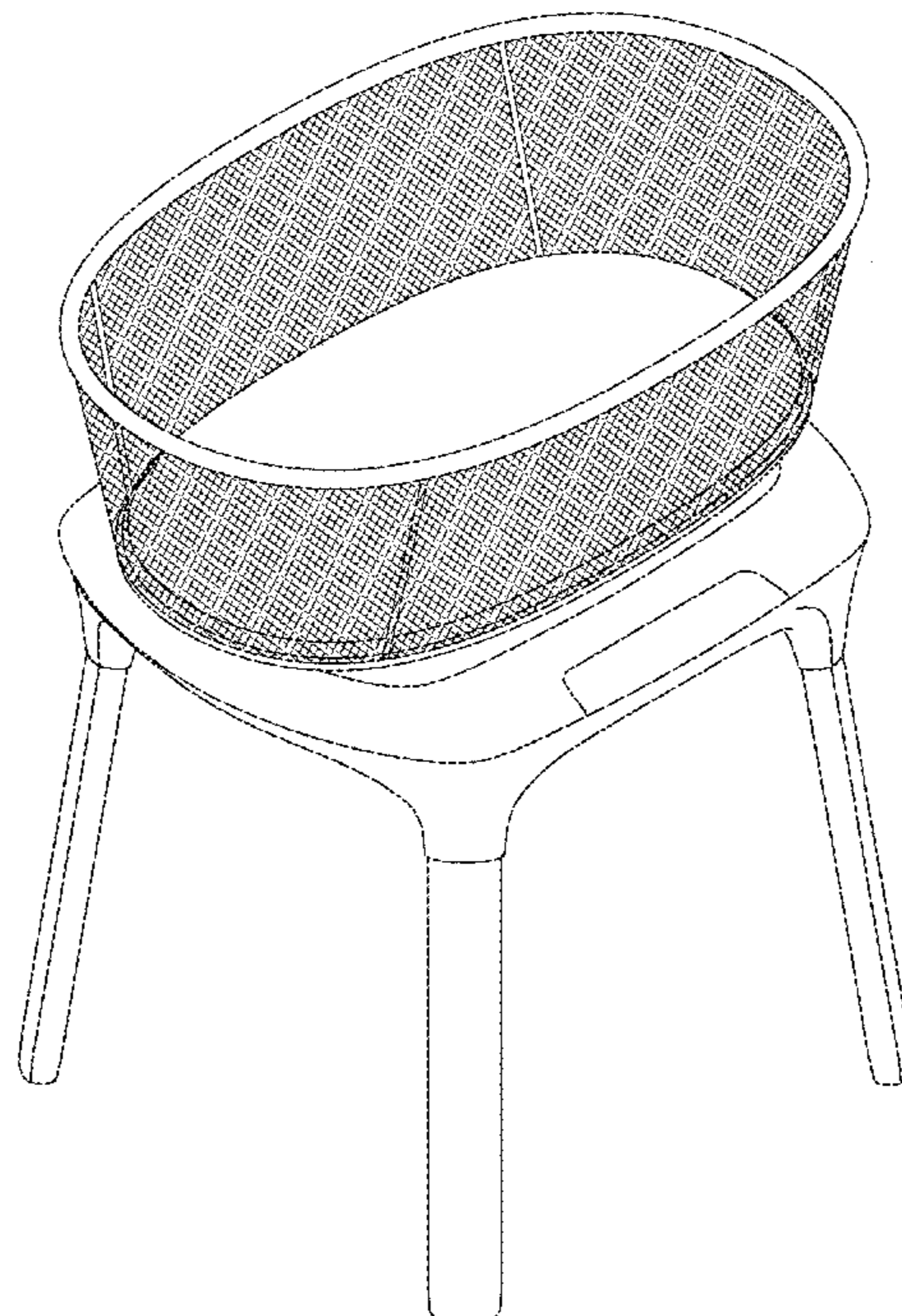
(58) **Field of Classification Search**

USPC ..... D6/596, 601, 389, 716.8, 331–335, 344,  
D6/347, 348, 354, 371–375, 382, 383;  
5/907, 414, 120–123; 297/184.15,  
297/184.17, 184.1, 184.11, 16.1

CPC ..... A47C 7/66; A47C 1/14; A45F 3/22; A45F  
3/24; A45F 3/26; A47D 1/06; A47D 9/00;  
A47D 9/005; A47D 5/006; A47D 7/00;  
A47D 7/04; A47D 7/002; A47D 13/063;

FIG. 1 is a perspective view of the bassinet in accordance  
with the present invention;  
FIG. 2 is a front view of the bassinet of FIG. 1;  
FIG. 3 is a top view of the bassinet of FIG. 1;  
FIG. 4 is a right side view of the bassinet of FIG. 1;  
FIG. 5 is a left side view of the bassinet of FIG. 1;  
FIG. 6 is a rear view of the bassinet of FIG. 1; and,  
FIG. 7 is a bottom view of the bassinet of FIG. 1.

**1 Claim, 7 Drawing Sheets**



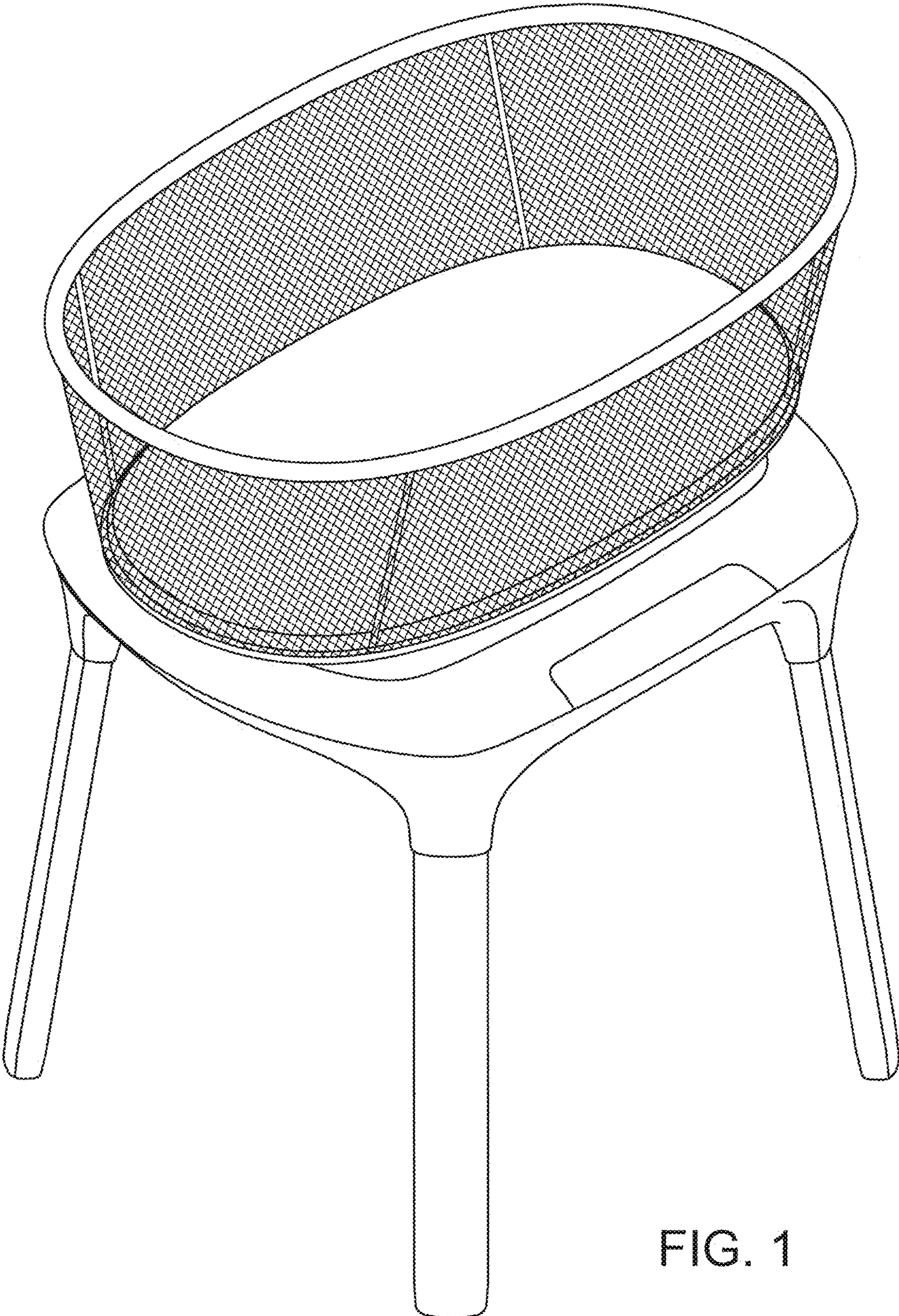


FIG. 1

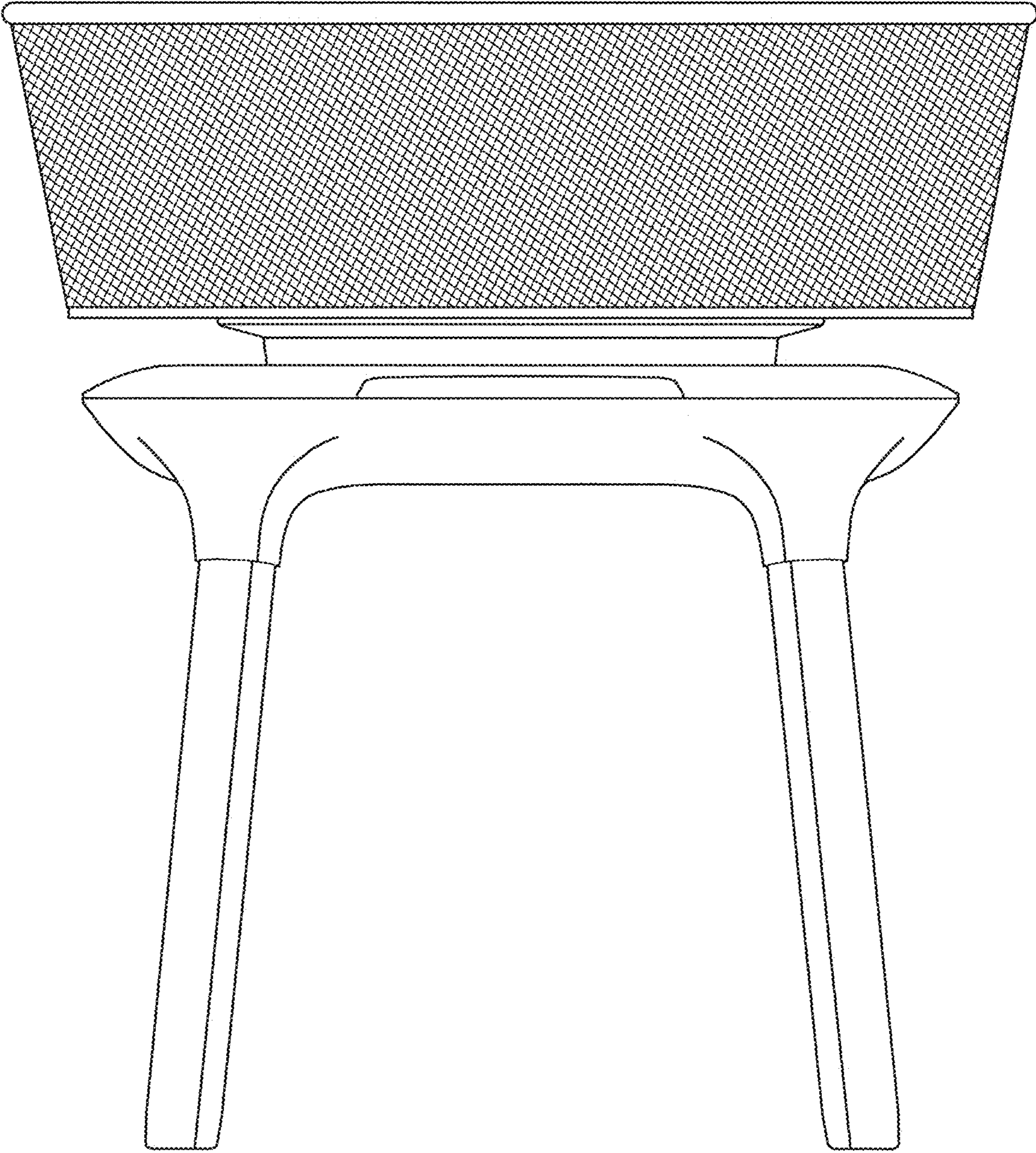


FIG. 2

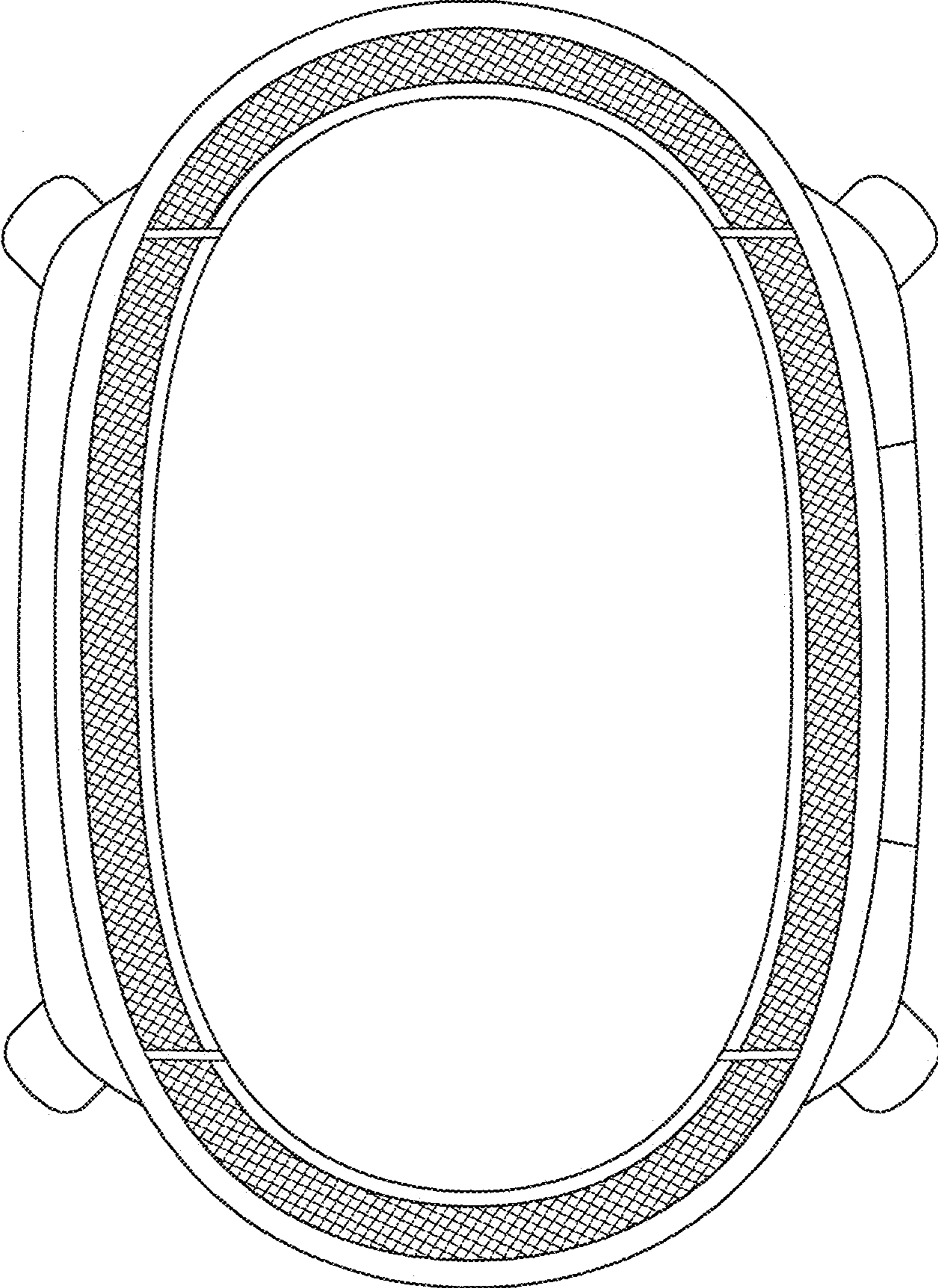


FIG. 3

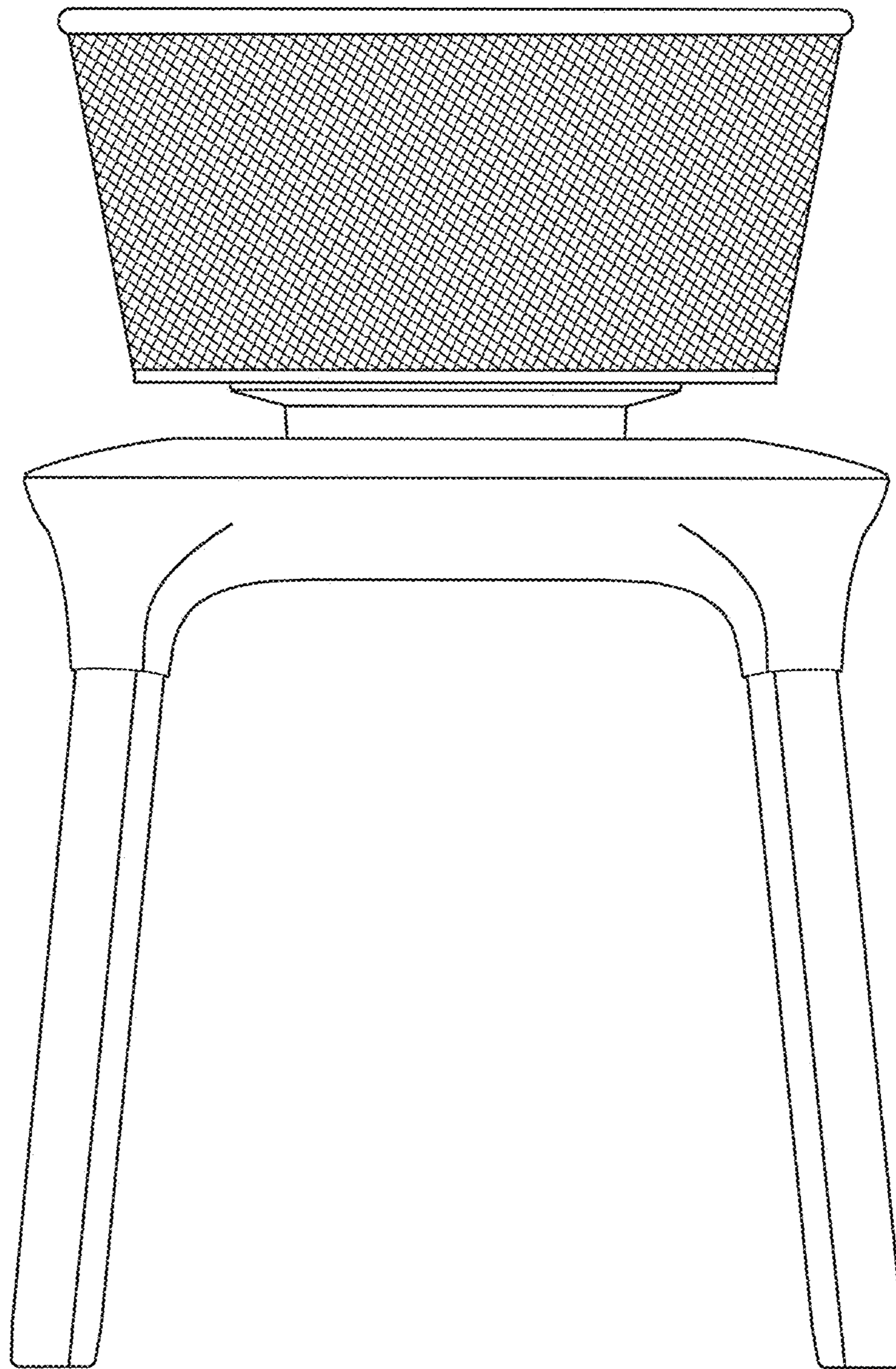


FIG. 4

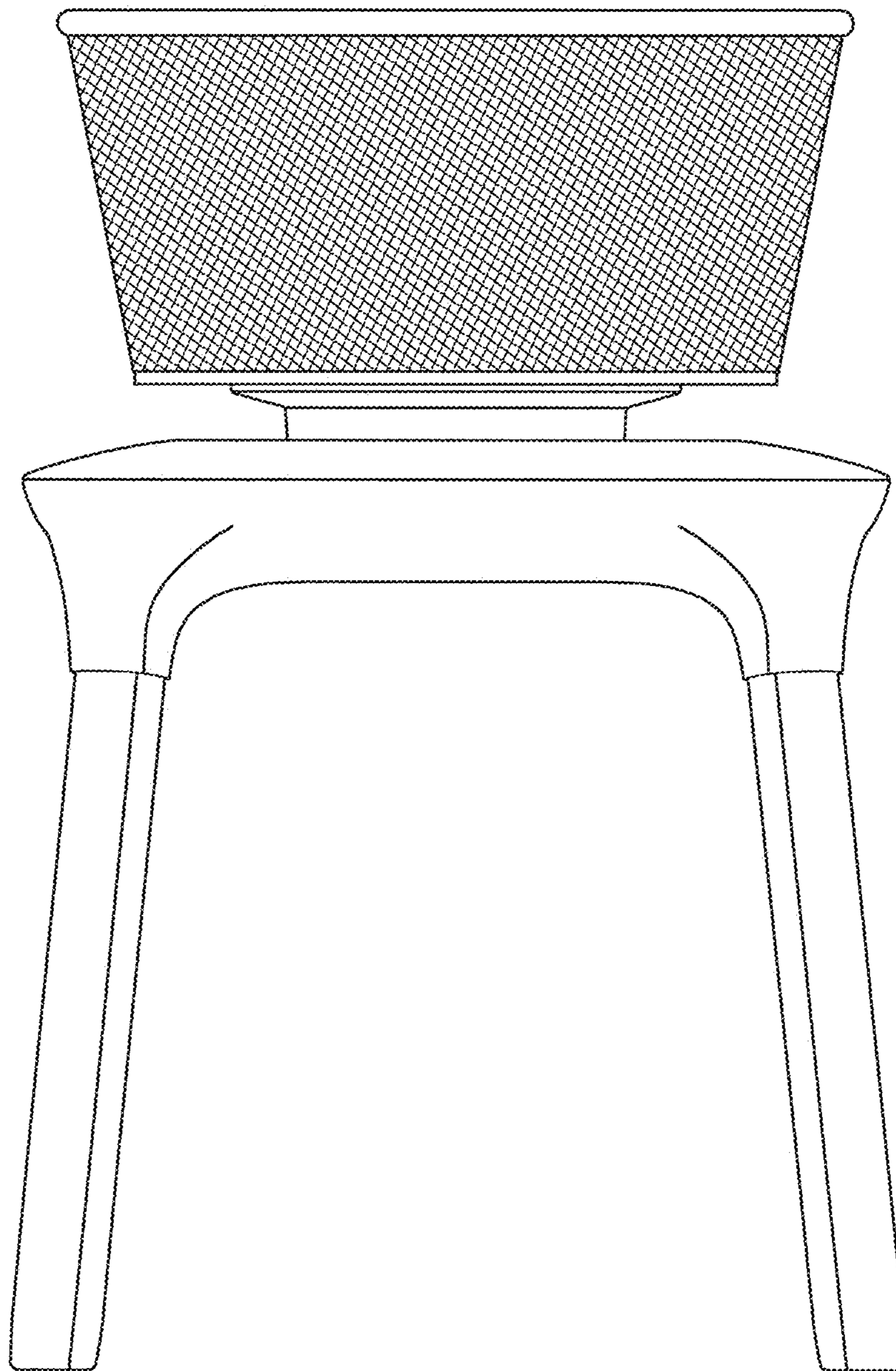


FIG. 5

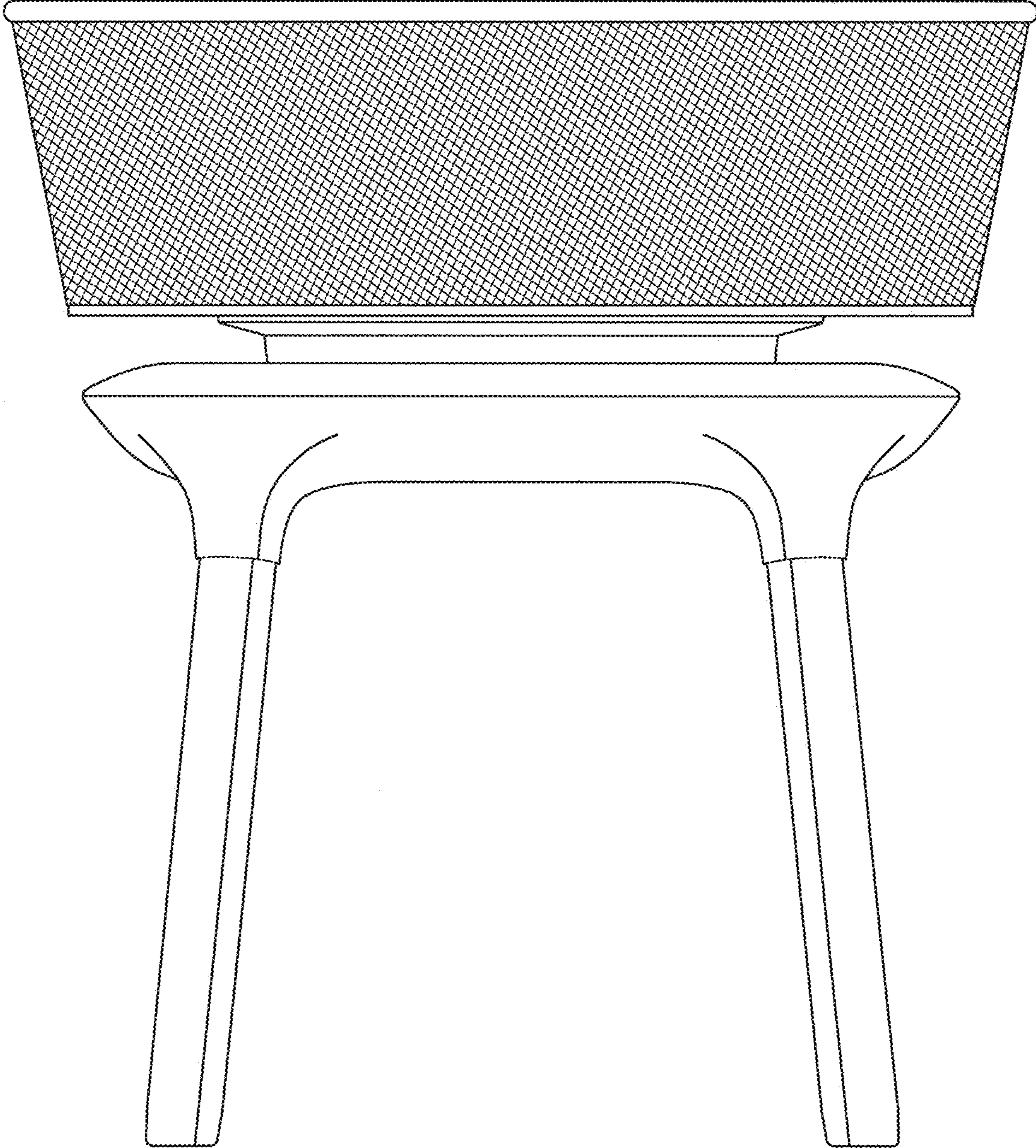


FIG. 6

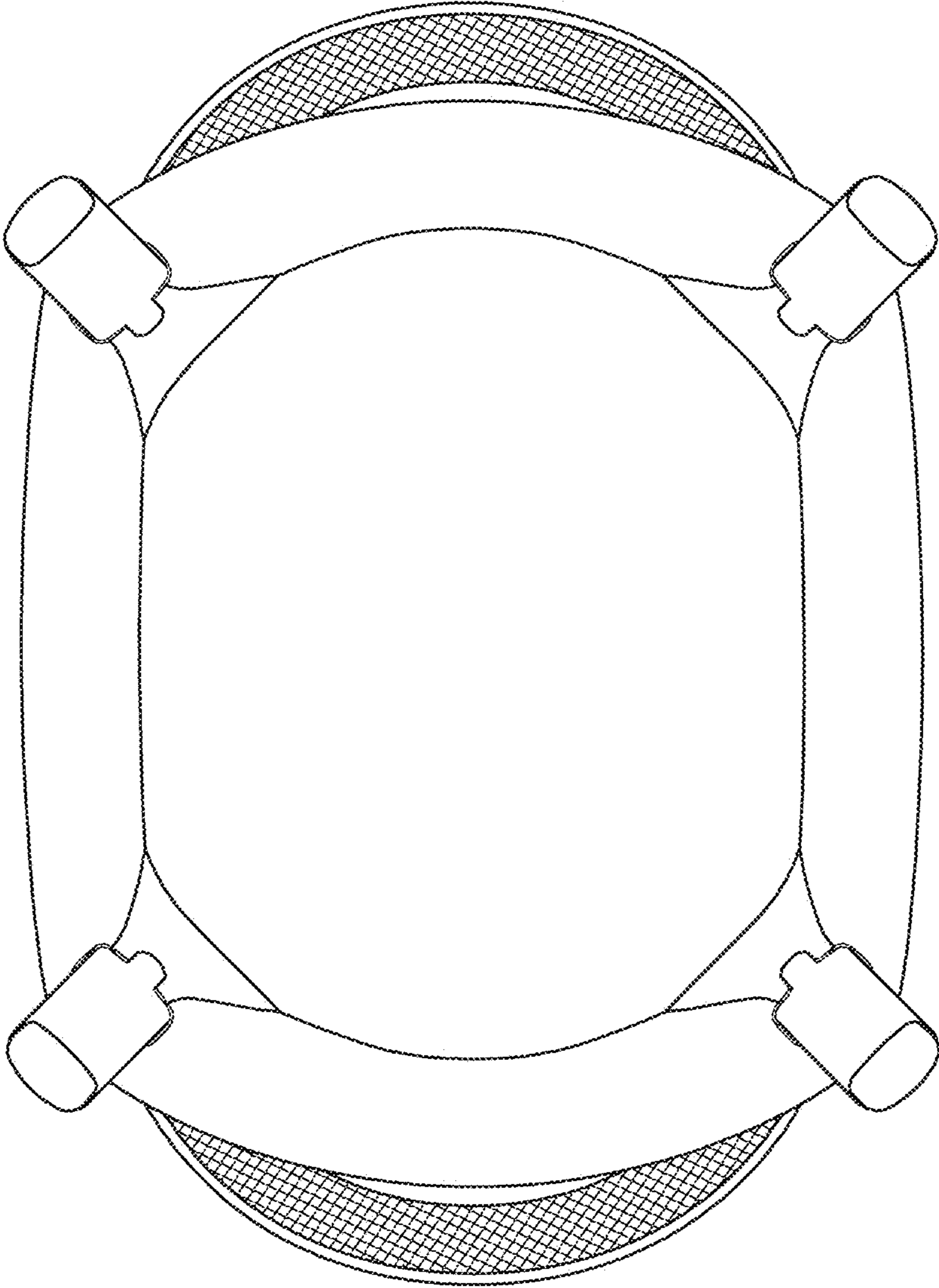


FIG. 7