



US00D983550S

(12) **United States Design Patent** (10) **Patent No.:** **US D983,550 S**
Andersen (45) **Date of Patent:** **** *Apr. 18, 2023**

(54) **SOFA**

(71) Applicant: **Innovation U.S.A., Inc.**, Mission Viejo, CA (US)

(72) Inventor: **Per Weiss Andersen**, Randers (DK)

(73) Assignee: **Innovation U.S.A., Inc.**, Mission Viejo, CA (US)

(*) Notice: This patent is subject to a terminal disclaimer.

(**) Term: **15 Years**

(21) Appl. No.: **29/812,561**

(22) Filed: **Oct. 22, 2021**

Related U.S. Application Data

(63) Continuation-in-part of application No. 29/780,065, filed on Apr. 22, 2021.

(30) **Foreign Application Priority Data**

Oct. 23, 2020 (CN) 202030634251.1

(51) **LOC (14) Cl.** **06-01**

(52) **U.S. Cl.**
USPC **D6/381; D6/335**

(58) **Field of Classification Search**

USPC D6/334, 335, 367, 368, 370, 381, 382, D6/383, 392

CPC A47C 17/16; A47C 17/161; A47C 17/162; A47C 17/163; A47C 17/17; A47C 17/175; A47C 17/1753; A47D 11/005; A47D 11/00

See application file for complete search history.

(56) **References Cited**

U.S. PATENT DOCUMENTS

D170,665 S * 10/1953 Spence D6/381
D172,812 S * 8/1954 Spound D6/381
4,067,073 A * 1/1978 Komarov A47C 4/02
297/440.1
D443,989 S * 6/2001 Gomez D6/381
(Continued)

FOREIGN PATENT DOCUMENTS

CN 204181281 U * 3/2015
CN 210540149 U * 5/2020
CN 213464465 U * 6/2021

Primary Examiner — Deanna L Pratt

(74) *Attorney, Agent, or Firm* — Miles & Stockbridge P.C.; David R. Schaffer

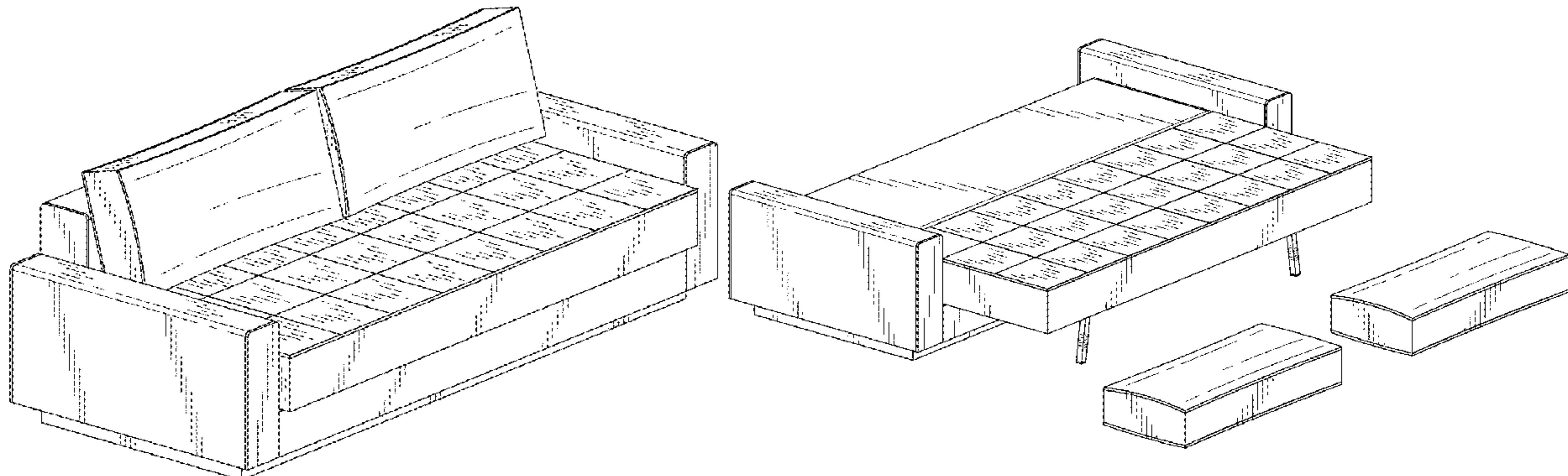
(57) **CLAIM**

The ornamental design for a sofa, as shown and described.

DESCRIPTION

FIG. 1 is a front elevational view of a sofa showing my new design;
FIG. 2 is a rear elevational view thereof;
FIG. 3 is a left elevational view thereof;
FIG. 4 is a right elevational view thereof;
FIG. 5 is a top plan view thereof;
FIG. 6 is a bottom plan view thereof;
FIG. 7 is a left front perspective view thereof;
FIG. 8 is a right front perspective view thereof;
FIG. 9 is a left front perspective, exploded view, shown in a reclined position thereof;
FIG. 10 is a right front perspective, exploded view, shown in the reclined position thereof;
FIG. 11 is a left rear perspective view thereof;
FIG. 12 is a right rear perspective view thereof;
FIG. 13 is a right front perspective, exploded view, shown in a reclined position thereof; and,
FIG. 14 is a left front perspective, exploded view, shown in the reclined position thereof.

(Continued)



The elements shown in broken lines are for illustrative purposes only and form no part of the claimed design.

1 Claim, 7 Drawing Sheets

(56)

References Cited

U.S. PATENT DOCUMENTS

D477,152 S * 7/2003 Levy D6/381
 D498,075 S * 11/2004 Mourgue D6/381
 D499,261 S * 12/2004 Ricci D6/381
 D590,623 S * 4/2009 Natuzzi D6/381
 D591,970 S * 5/2009 Weiss D6/381
 D603,617 S * 11/2009 Weiss D6/381
 D603,618 S * 11/2009 Weiss D6/381
 D604,957 S * 12/2009 Weiss D6/381
 D618,929 S * 7/2010 Yeong D6/381

D649,366 S * 11/2011 Andersen D6/335
 D649,367 S * 11/2011 Andersen D6/335
 D681,366 S * 5/2013 Kanthasamy D6/381
 D720,944 S * 1/2015 Barber D6/381
 D730,076 S * 5/2015 Lange D6/381
 D811,100 S * 2/2018 Andersen D6/381
 D841,992 S * 3/2019 Kershner D6/381
 D874,837 S * 2/2020 Andersen D6/335
 D878,780 S * 3/2020 Banda D6/381
 D891,129 S * 7/2020 Kanthasamy D6/381
 D948,878 S * 4/2022 Andersen D6/335
 D957,832 S * 7/2022 Andersen D6/335
 D958,551 S * 7/2022 Andersen D6/335
 D958,552 S * 7/2022 Andersen D6/335
 D968,831 S * 11/2022 Andersen D6/335
 2010/0269255 A1 * 10/2010 Kanthasamy A47C 17/1655
 5/37.1
 2018/0335082 A1 * 11/2018 Andersson C25D 11/04
 2021/0315387 A1 * 10/2021 Williams A47C 17/225

* cited by examiner

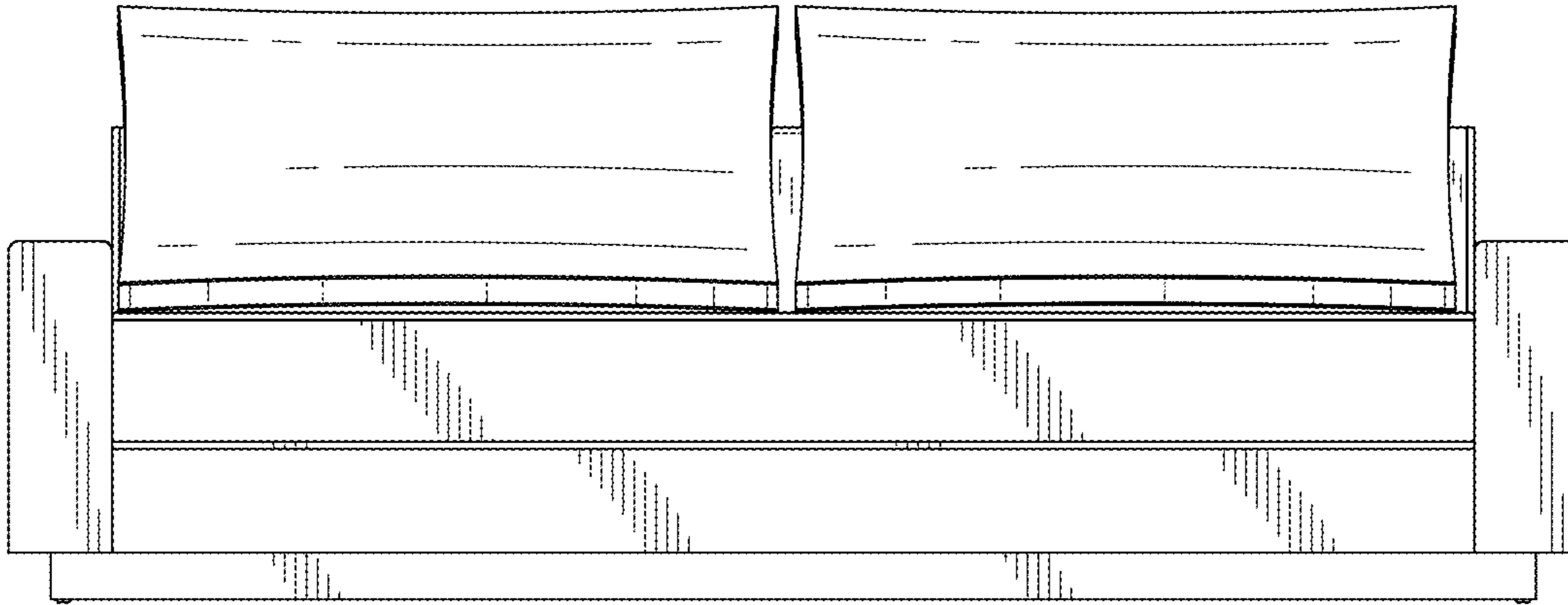


FIG. 1

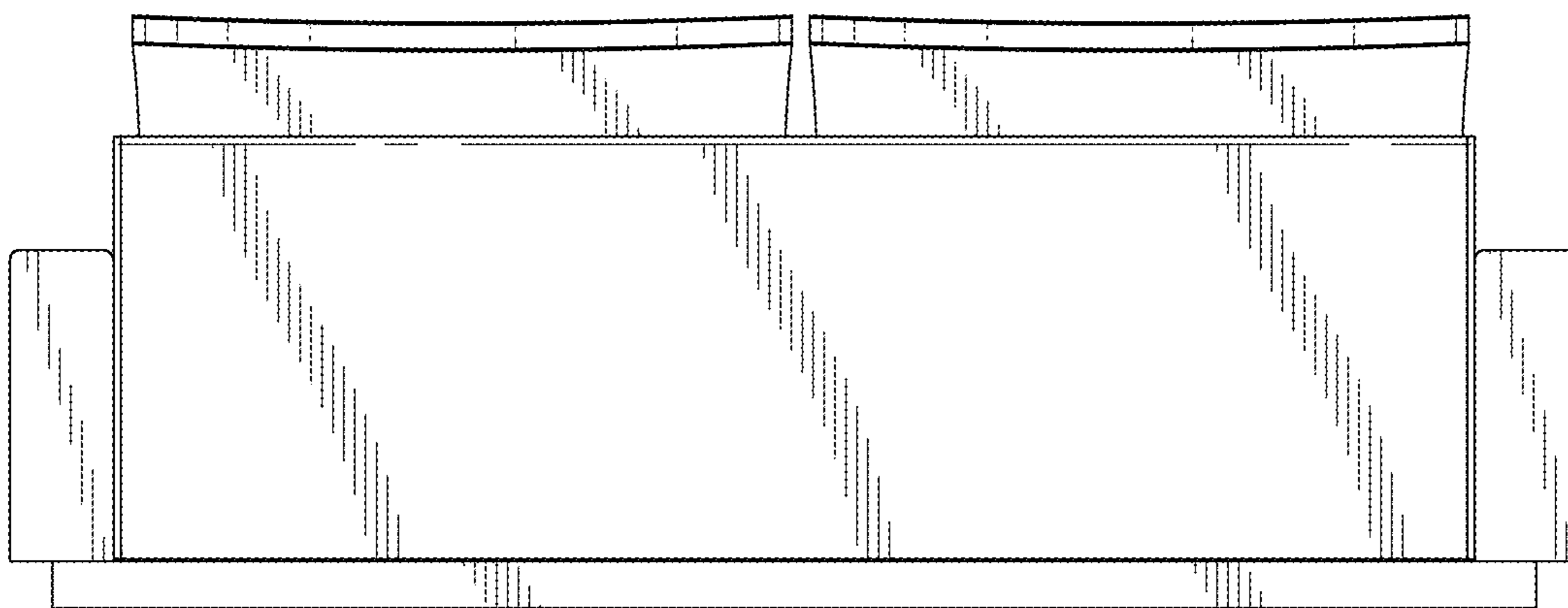


FIG. 2

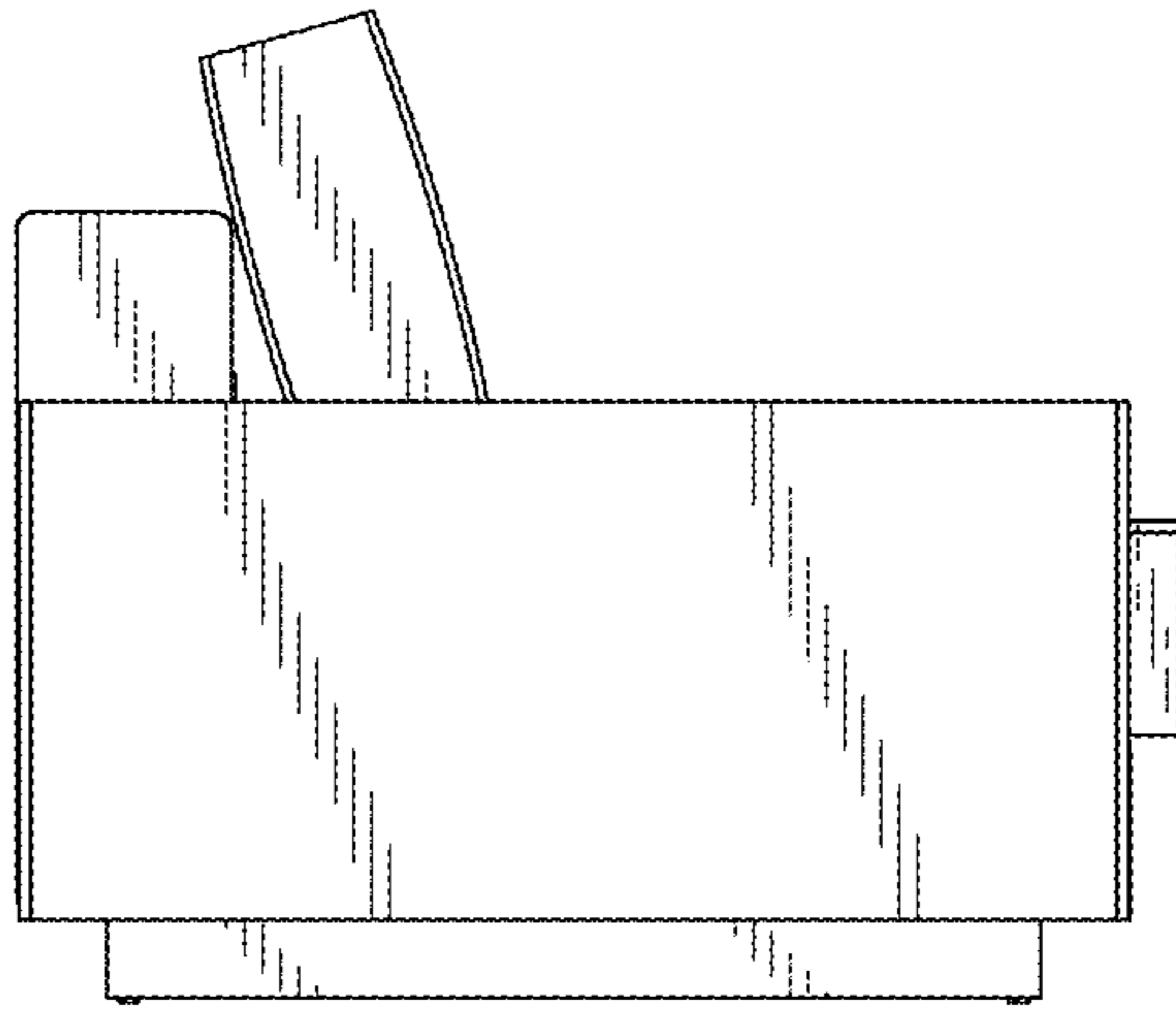


FIG. 3

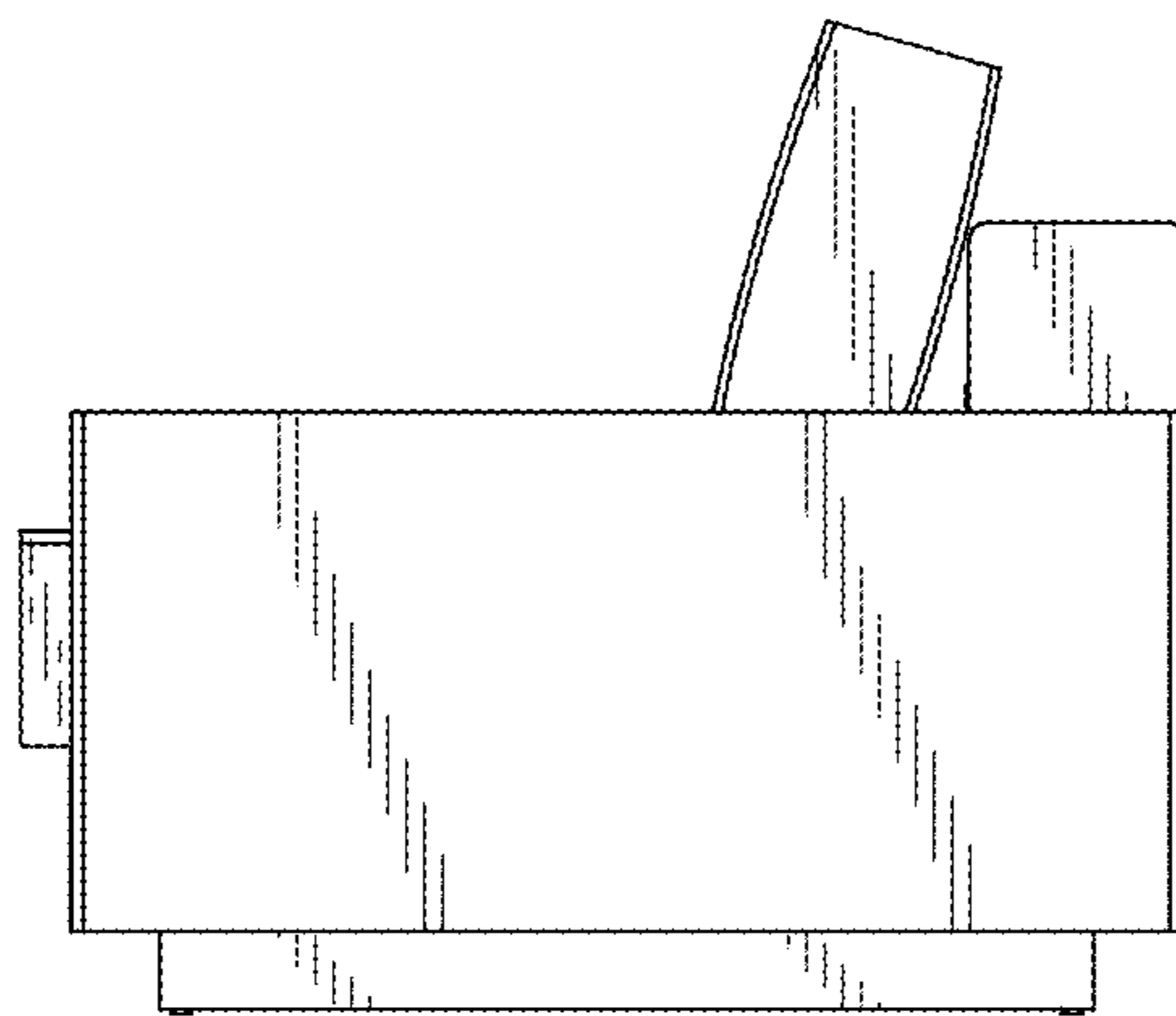


FIG. 4

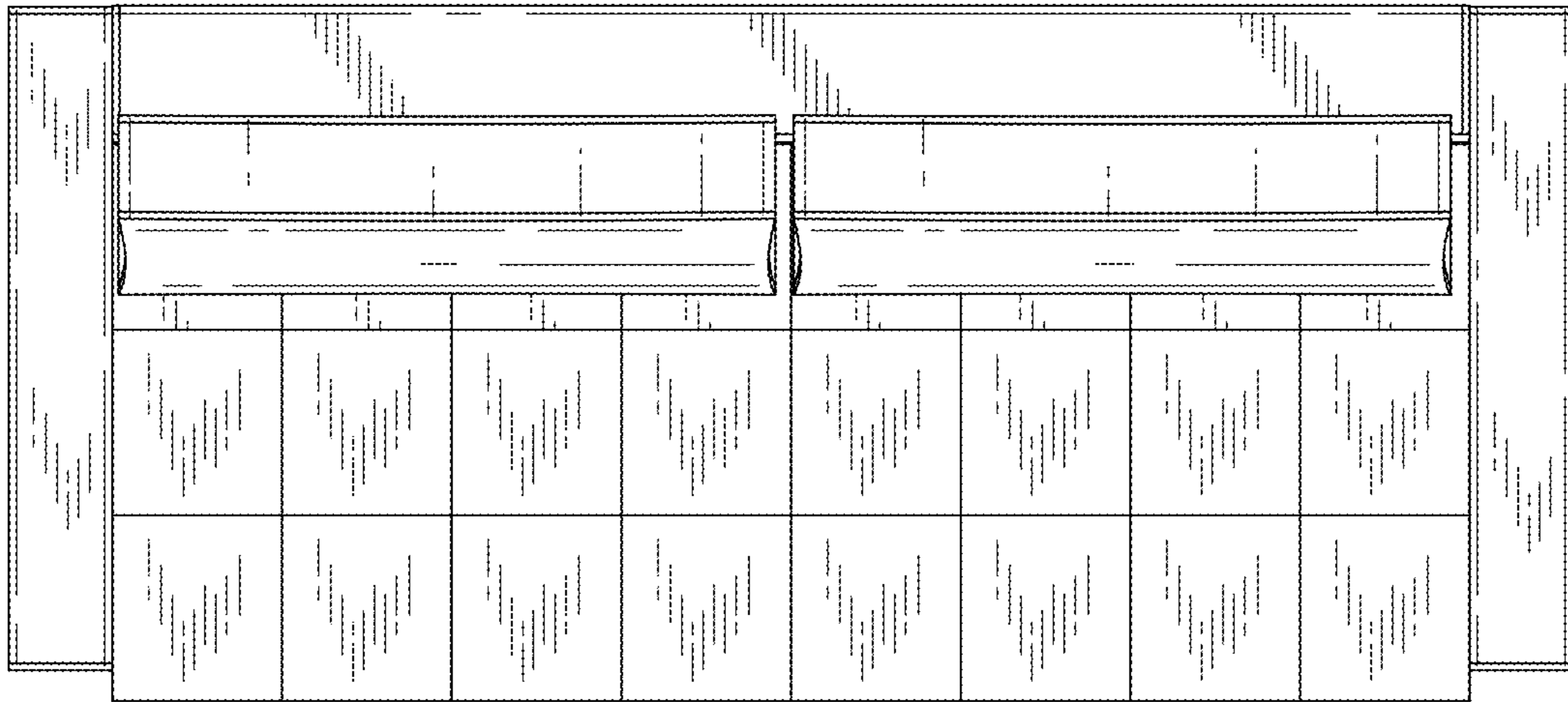


FIG. 5

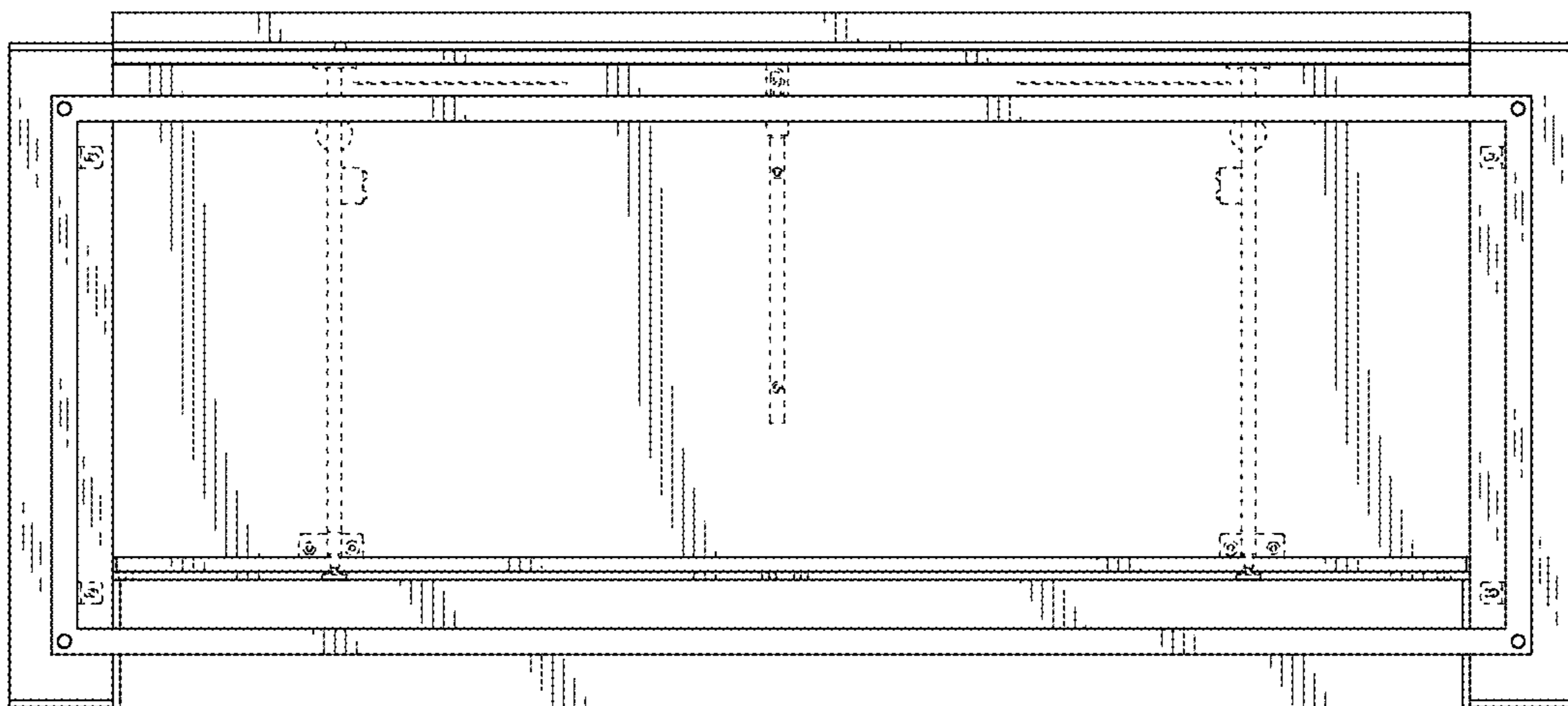


FIG. 6

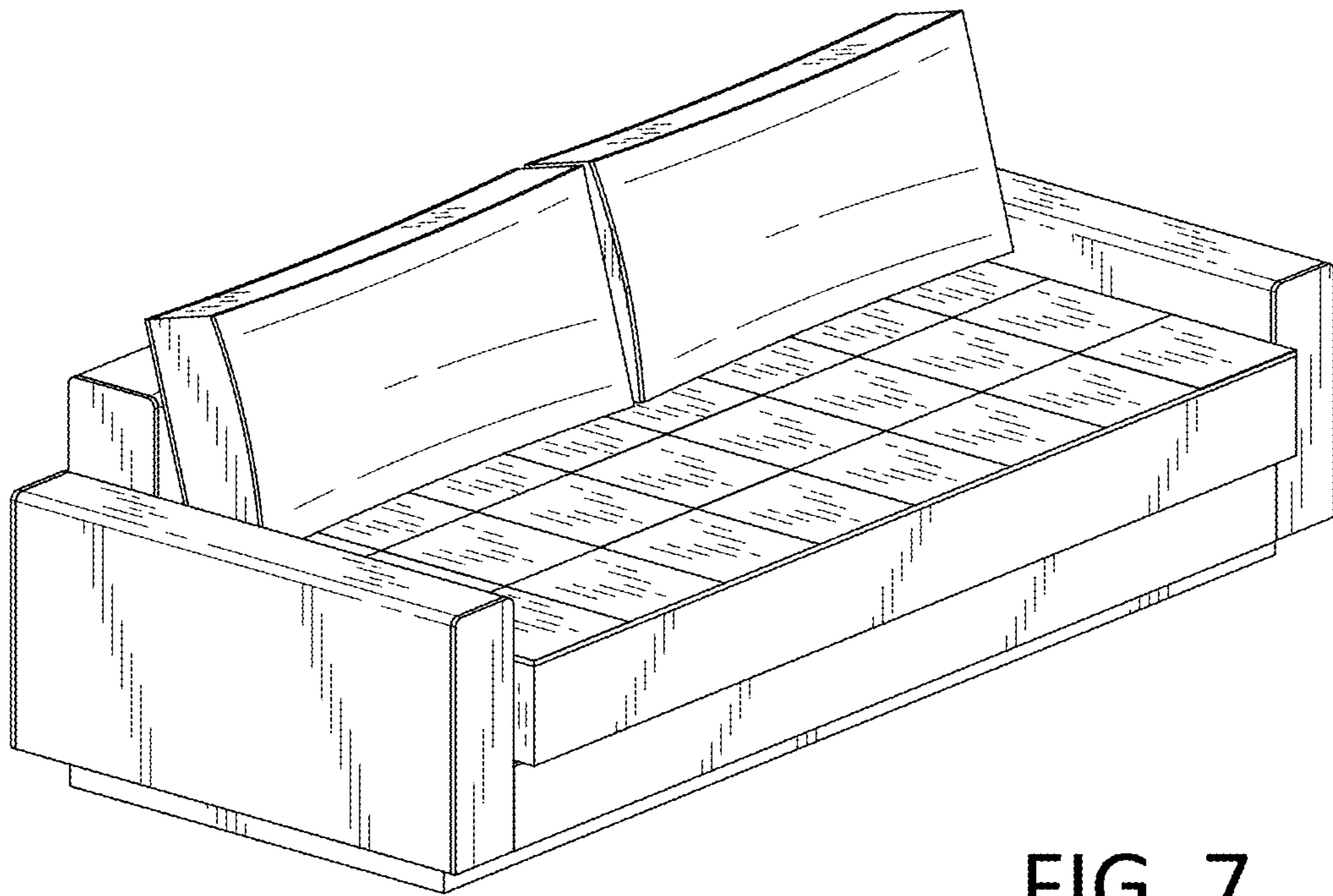


FIG. 7

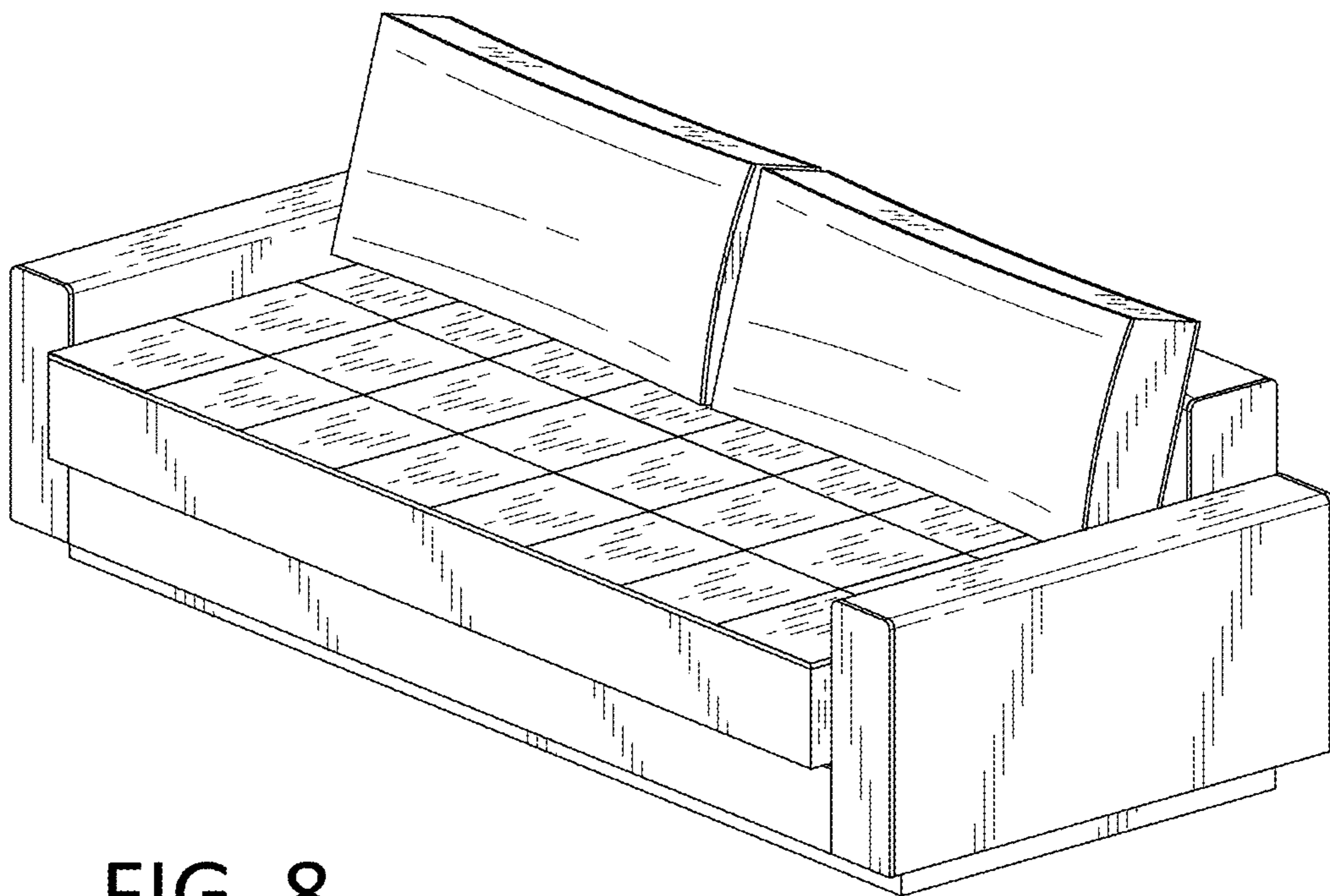


FIG. 8

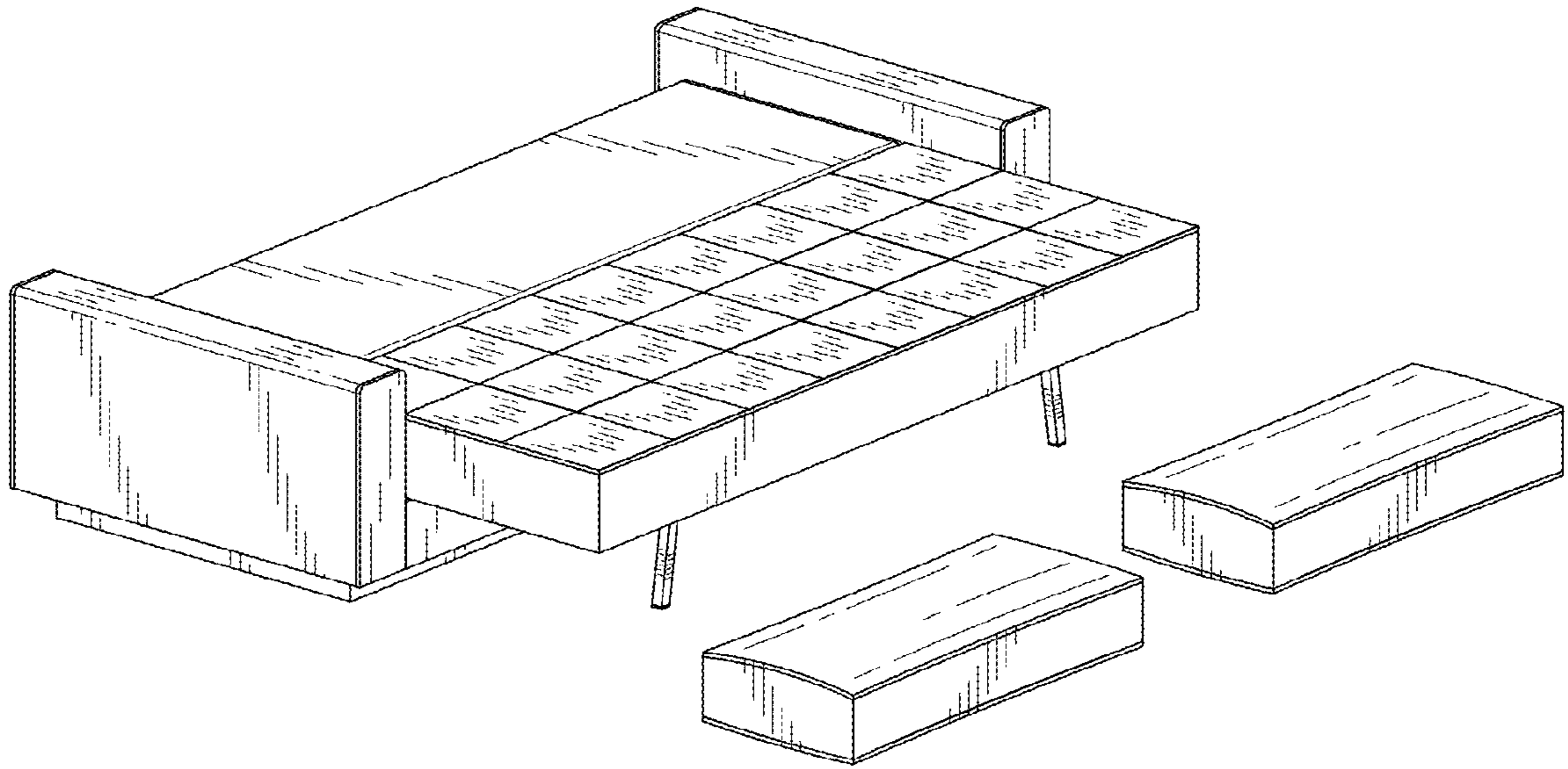


FIG. 9

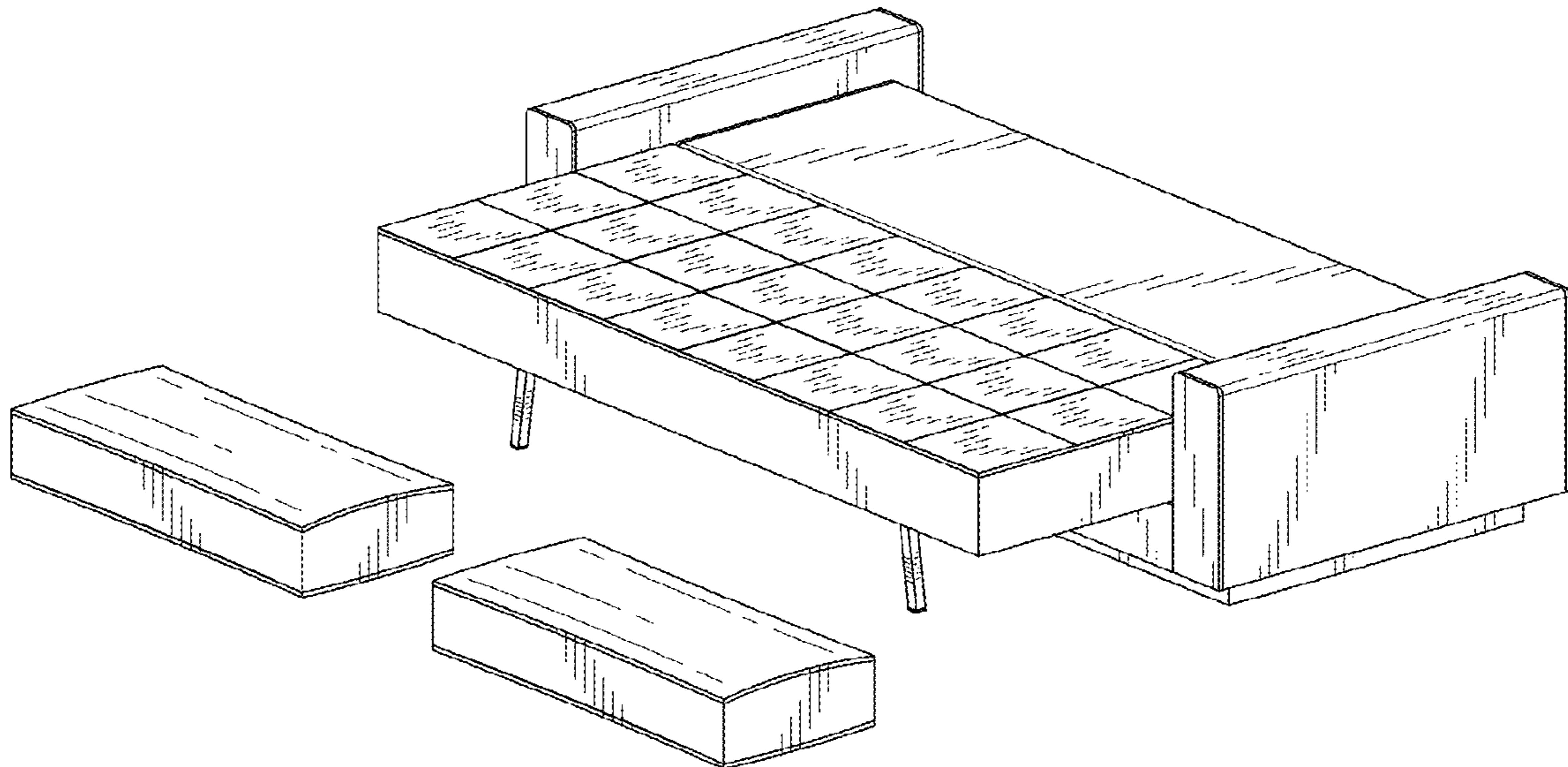


FIG. 10

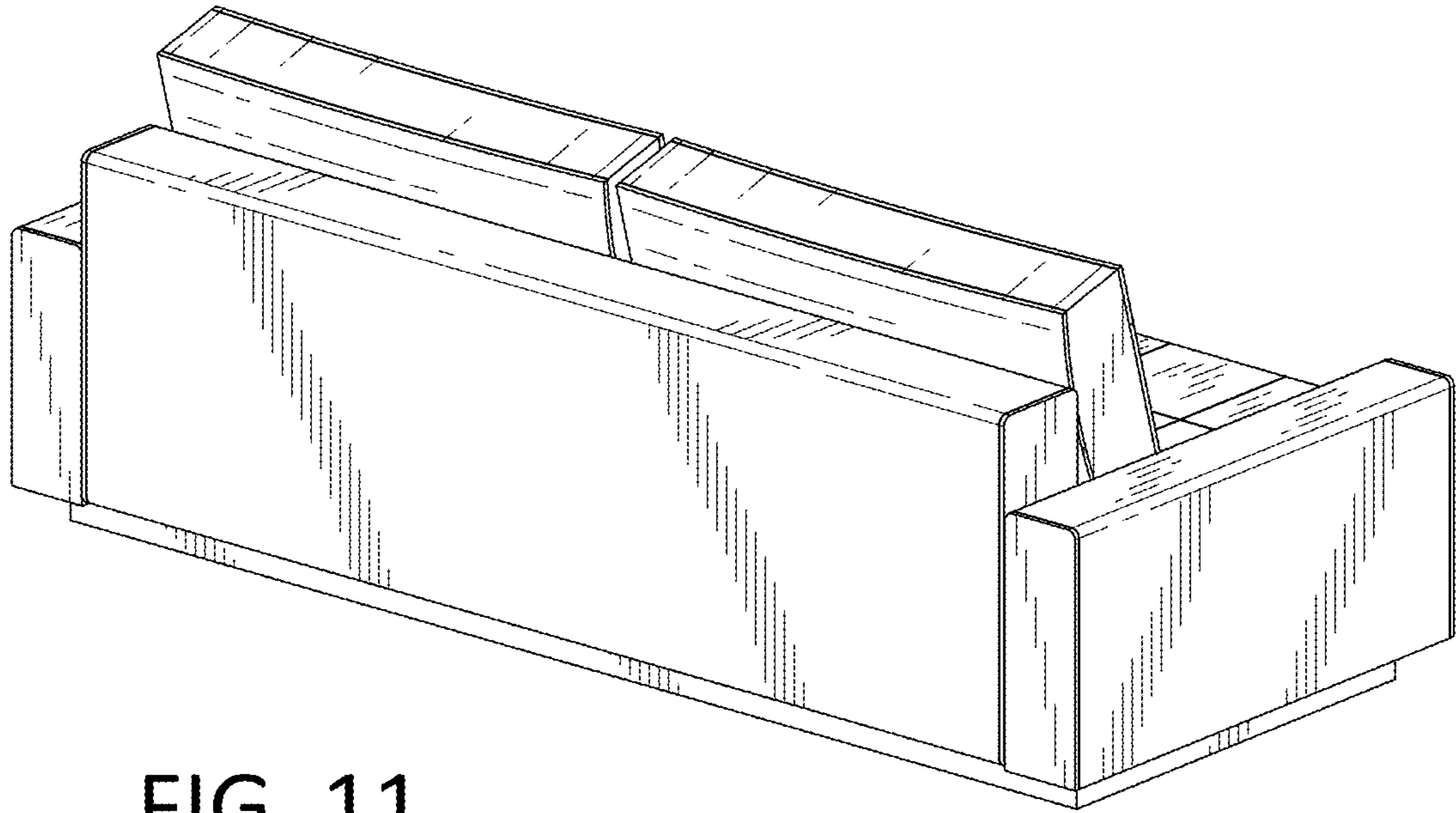


FIG. 11

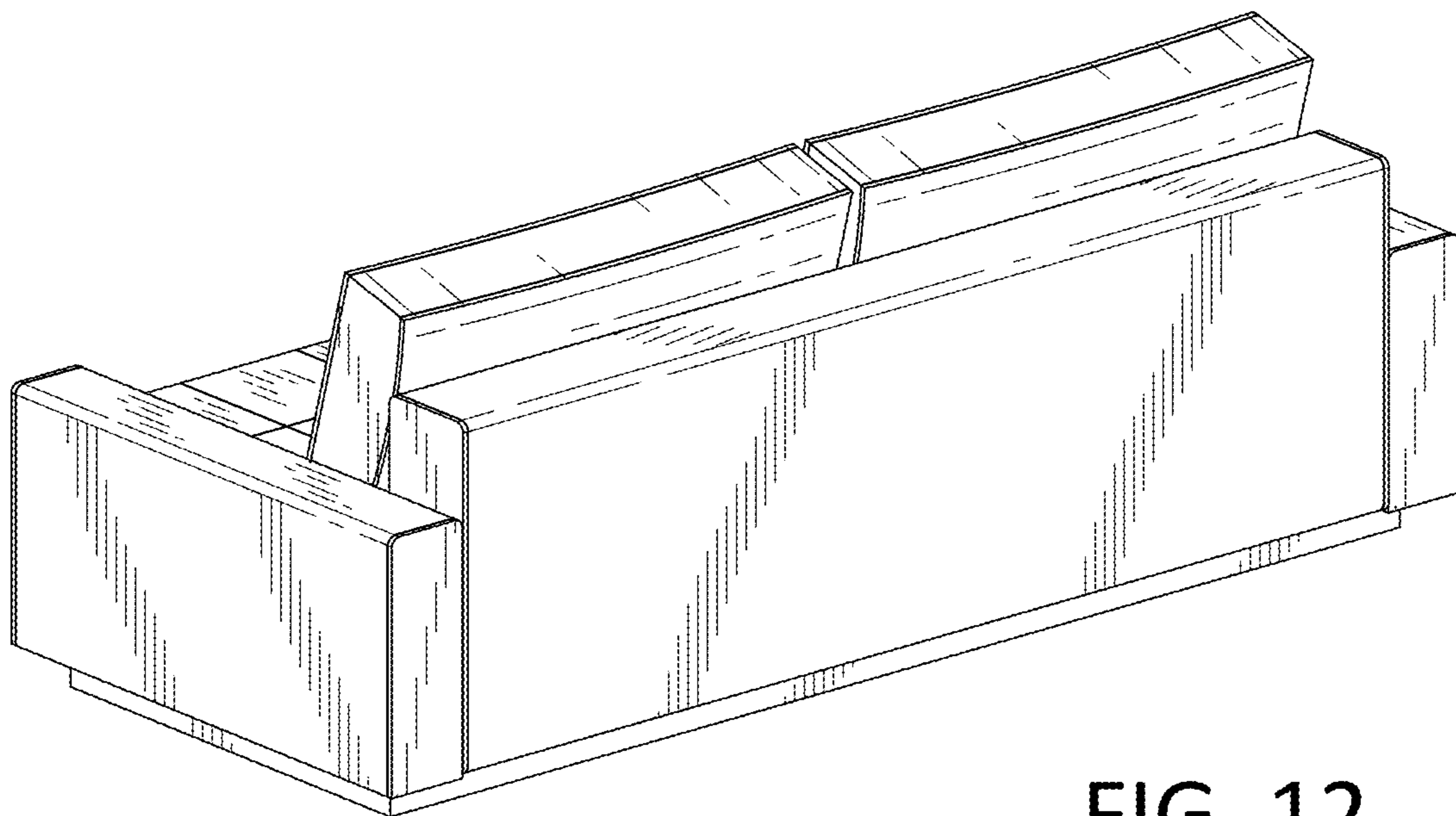


FIG. 12

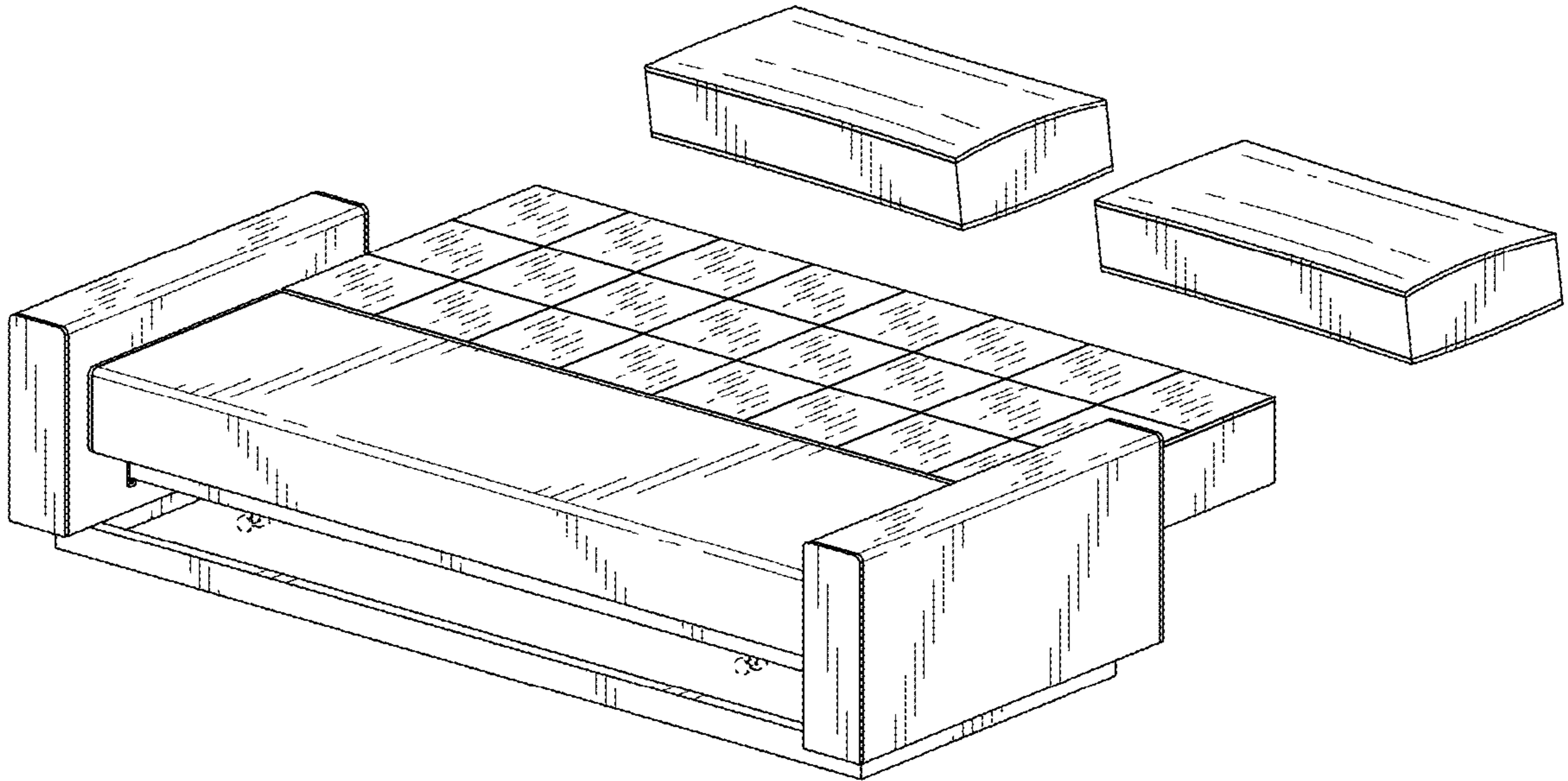


FIG. 13

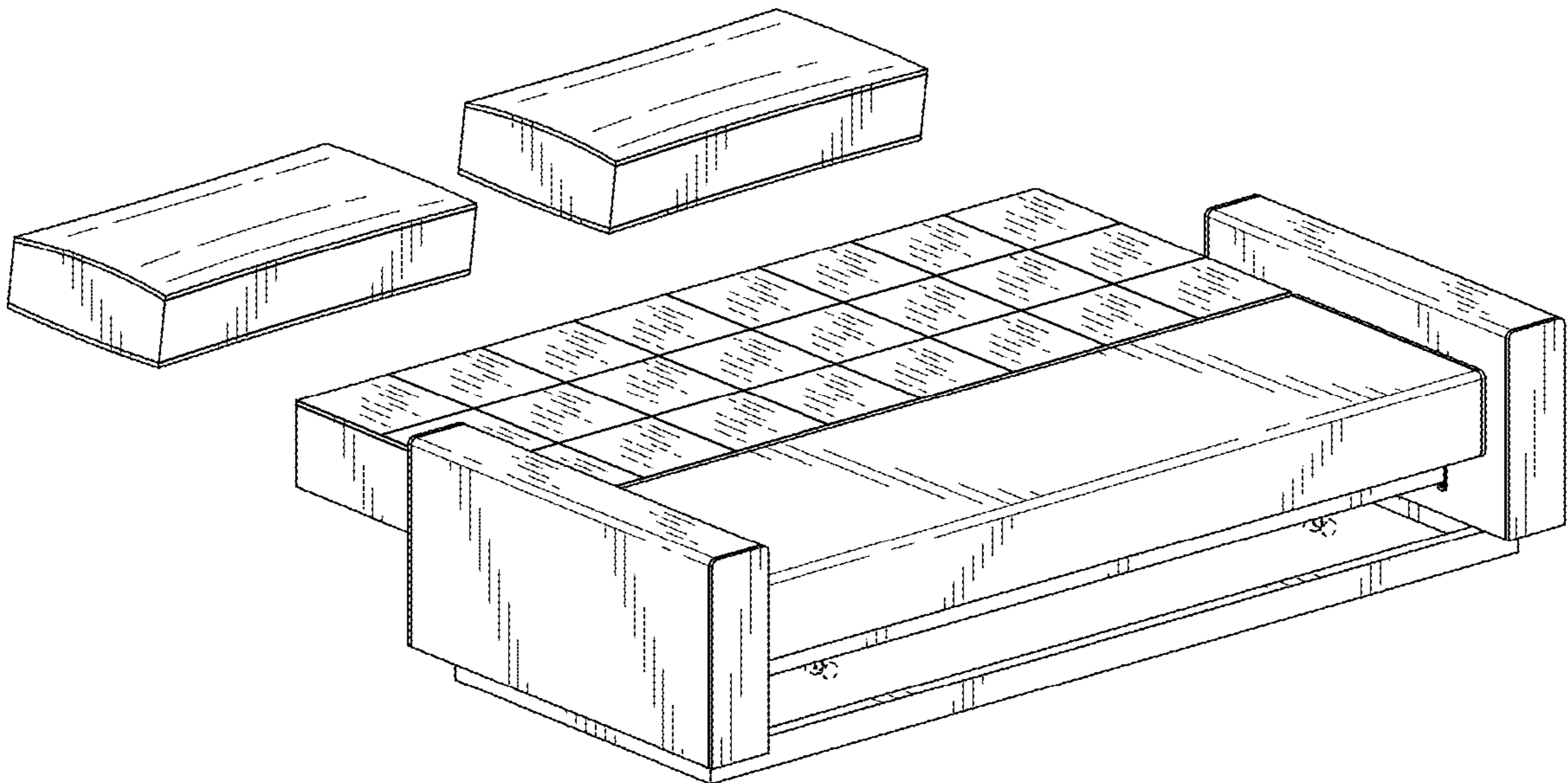


FIG. 14