



US00D983542S

(12) **United States Design Patent** (10) **Patent No.:** **US D983,542 S**
Wu (45) **Date of Patent:** **** Apr. 18, 2023**

(54) **GAMING CHAIR**
(71) Applicant: **GENOVA INC**, Diamond Bar, CA (US)
(72) Inventor: **Peng Wu**, Shanghai (CN)
(73) Assignee: **GENOVA INC**, Diamond Bar, CA (US)
(**) Term: **15 Years**

D885,779 S 6/2020 Li
D893,910 S * 8/2020 Ko D6/366
D897,709 S * 10/2020 Li D6/366
D923,350 S * 6/2021 Chen D6/366
D934,585 S * 11/2021 Li D6/366
D934,606 S * 11/2021 Liao D6/716
D942,171 S 2/2022 Wu
D950,259 S * 5/2022 Cai D6/366
D953,052 S 5/2022 Wu
D957,840 S 7/2022 Cai et al.
2021/0345786 A1* 11/2021 Peng A47C 15/004

(21) Appl. No.: **29/856,348**

(22) Filed: **Oct. 13, 2022**

(30) **Foreign Application Priority Data**

Jul. 9, 2022 (CN) 202230433906.8

(51) **LOC (14) Cl.** **06-01**

(52) **U.S. Cl.**
USPC **D6/366**

(58) **Field of Classification Search**
USPC D6/334-336, 338, 356, 364-367, 375,
D6/379, 380, 716-716.5; D21/521, 695
CPC A47C 7/004; A47C 7/006; A47C 7/18;
A47C 7/24; A47C 7/38; A47C 7/40;
B60N 2/02; B60N 2/20; B60N 2/22
See application file for complete search history.

(56) **References Cited**

U.S. PATENT DOCUMENTS

D612,641 S * 3/2010 Smit D6/366
D827,320 S * 9/2018 Xue D6/366
D847,526 S * 5/2019 Wang D6/366
D851,436 S * 6/2019 Shen D6/366
D851,974 S * 6/2019 Shen D6/366
D852,563 S * 7/2019 Shen D6/366
D856,696 S * 8/2019 Shen D6/366
D859,865 S * 9/2019 Berlinches D6/366
D861,367 S 10/2019 Shen
D879,524 S * 3/2020 Huang D6/366

OTHER PUBLICATIONS

Homall Gaming Chair, available in amazon.com, date of oldest review May 8, 2021, site visited Nov. 23, 2022, URL:https://www.walmart.com/ip/Homall-Gaming-Chair-Massage-Office-Chair-High-Back-PU-Leather-Chair-with-Footrest-Black/463654788 (Year: 2021).*

* cited by examiner

Primary Examiner — Mary Ann Calabrese
Assistant Examiner — Mark David Wolfley
(74) *Attorney, Agent, or Firm* — Bayramoglu Law Offices LLC

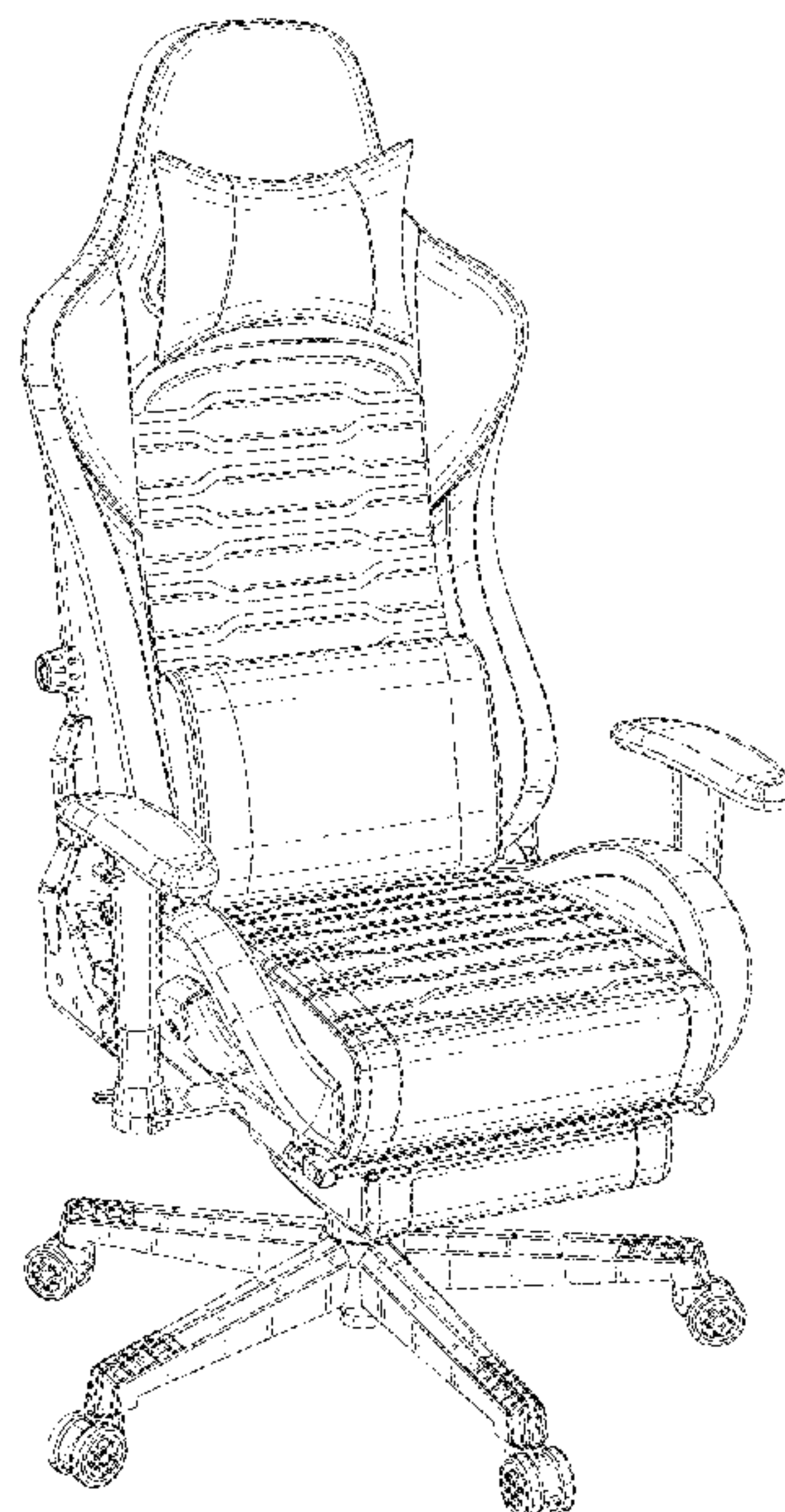
(57) **CLAIM**

The ornamental design for a gaming chair, as shown and described.

DESCRIPTION

FIG. 1 is a perspective view of a gaming chair showing my new design;
FIG. 2 is a front view thereof;
FIG. 3 is a rear view thereof;
FIG. 4 is a left side view thereof;
FIG. 5 is a right side view thereof;
FIG. 6 is a top view thereof; and,
FIG. 7 is a bottom view thereof.

1 Claim, 7 Drawing Sheets



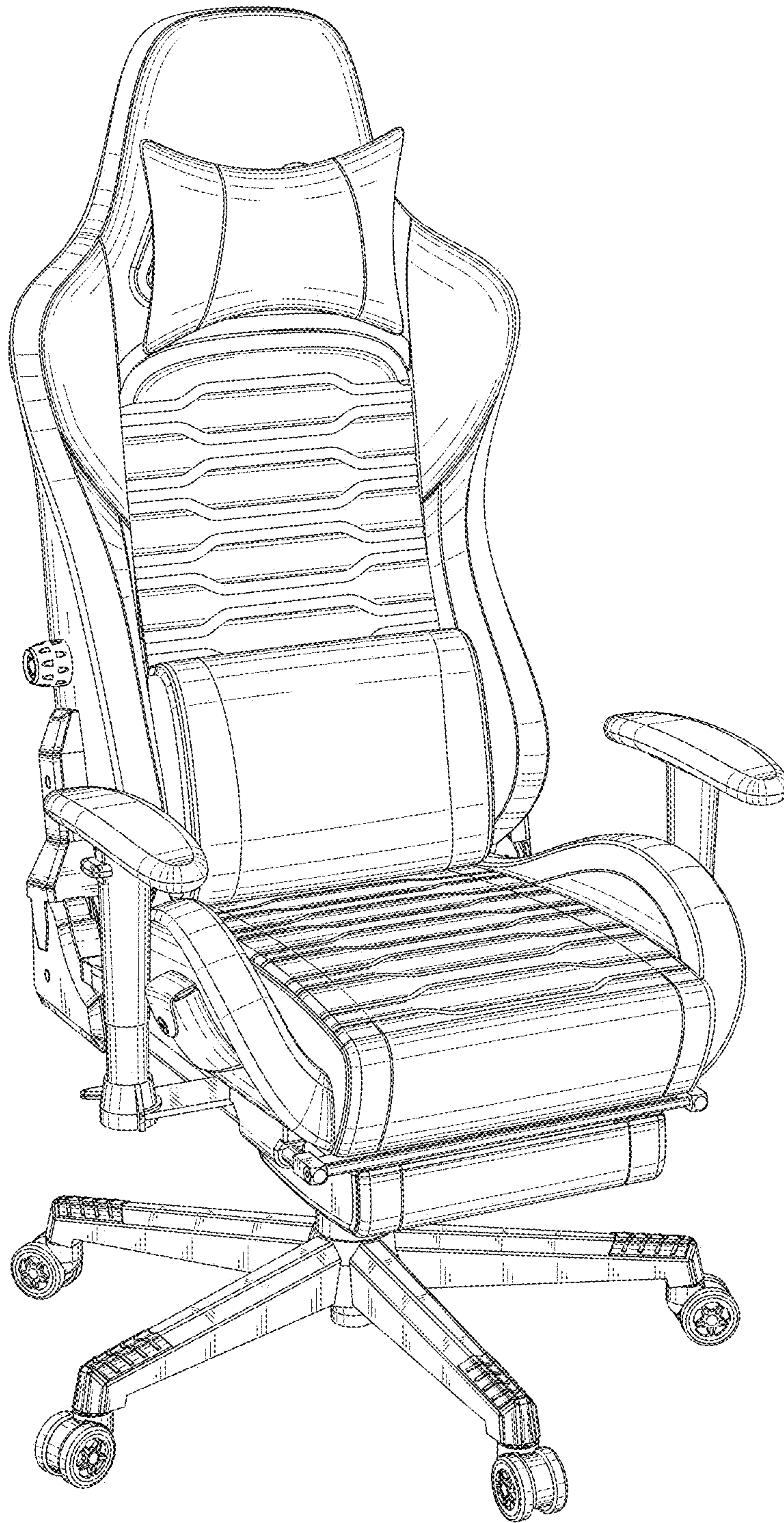


Fig. 1

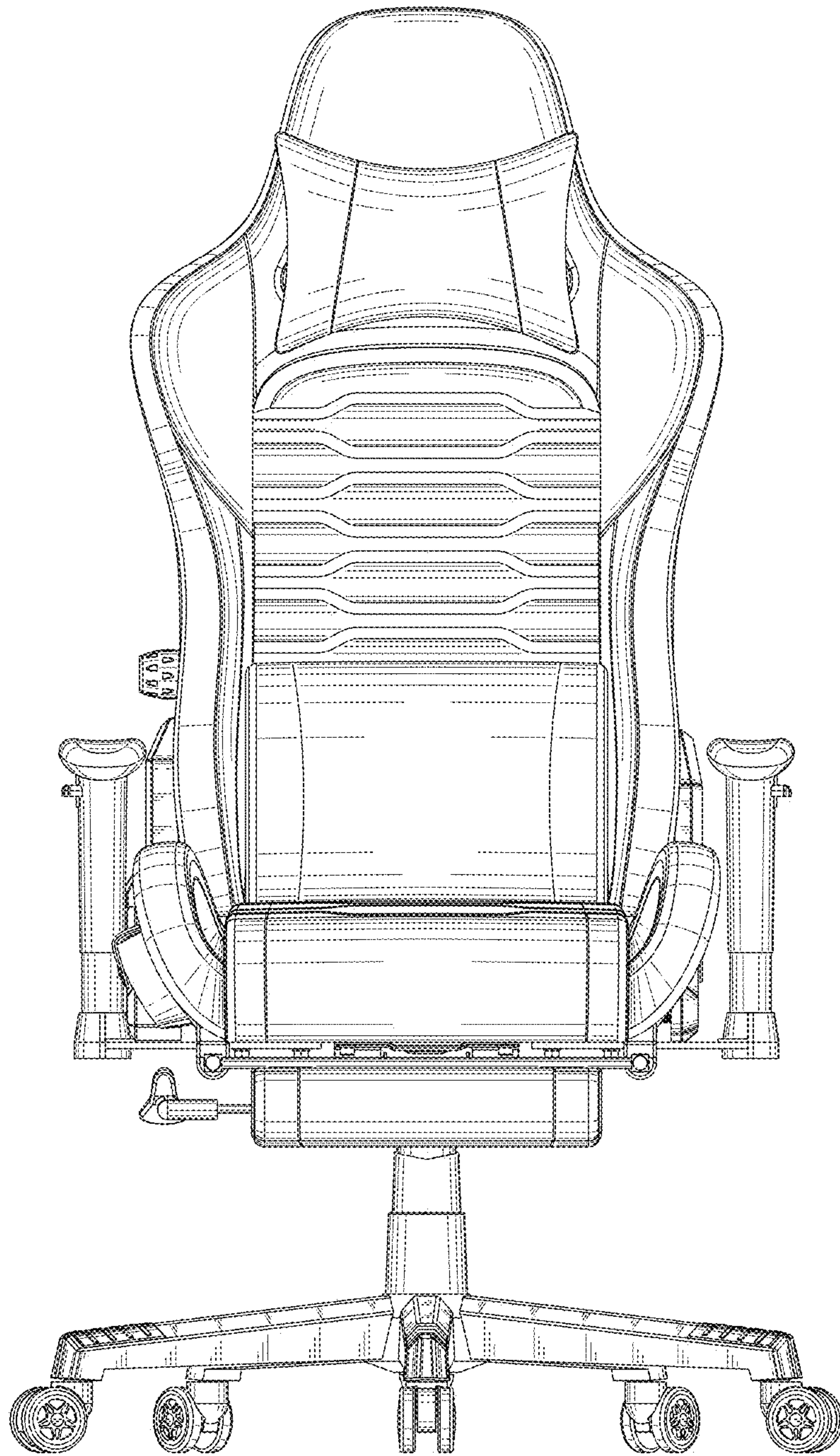


Fig. 2

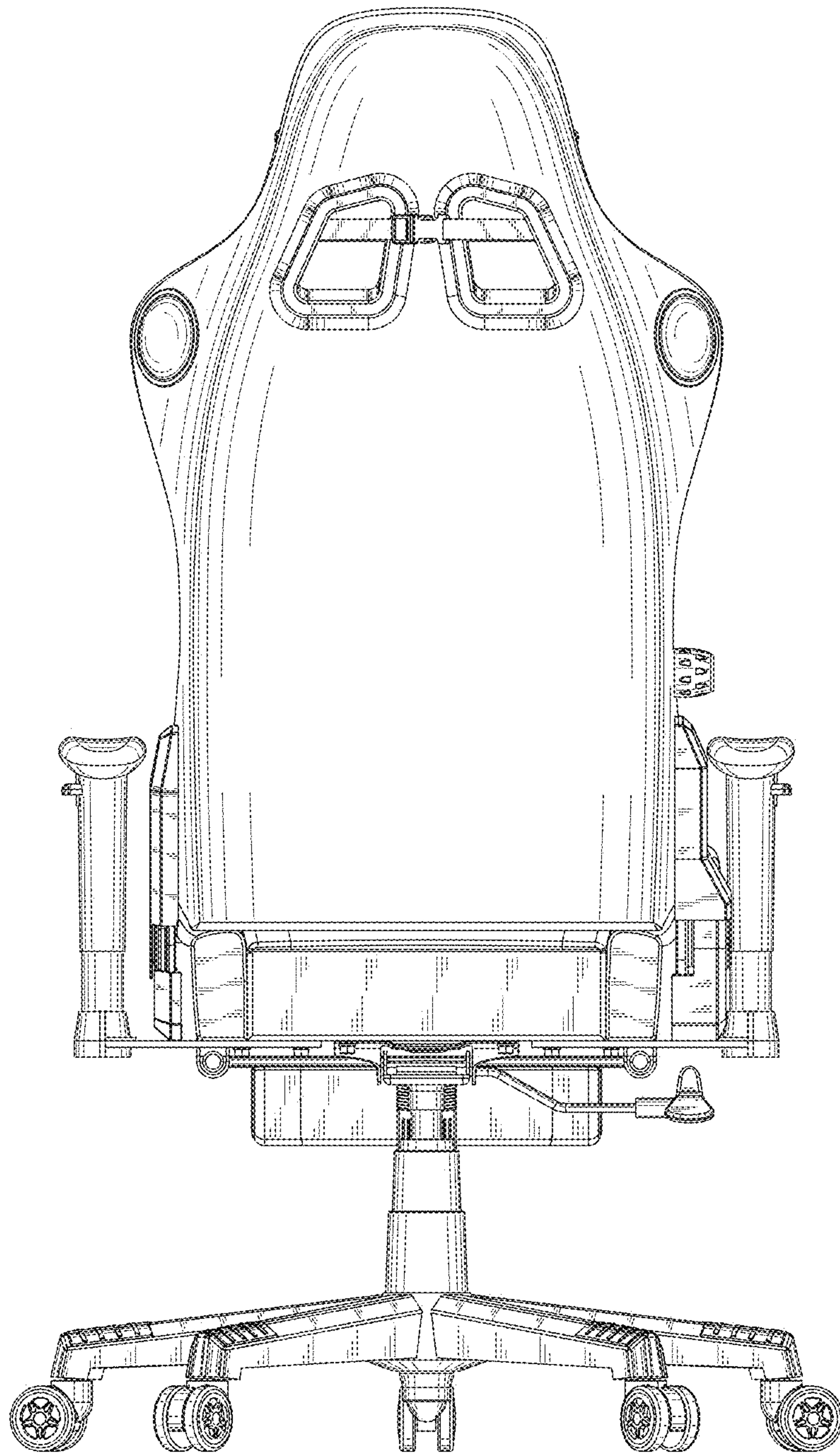


Fig. 3

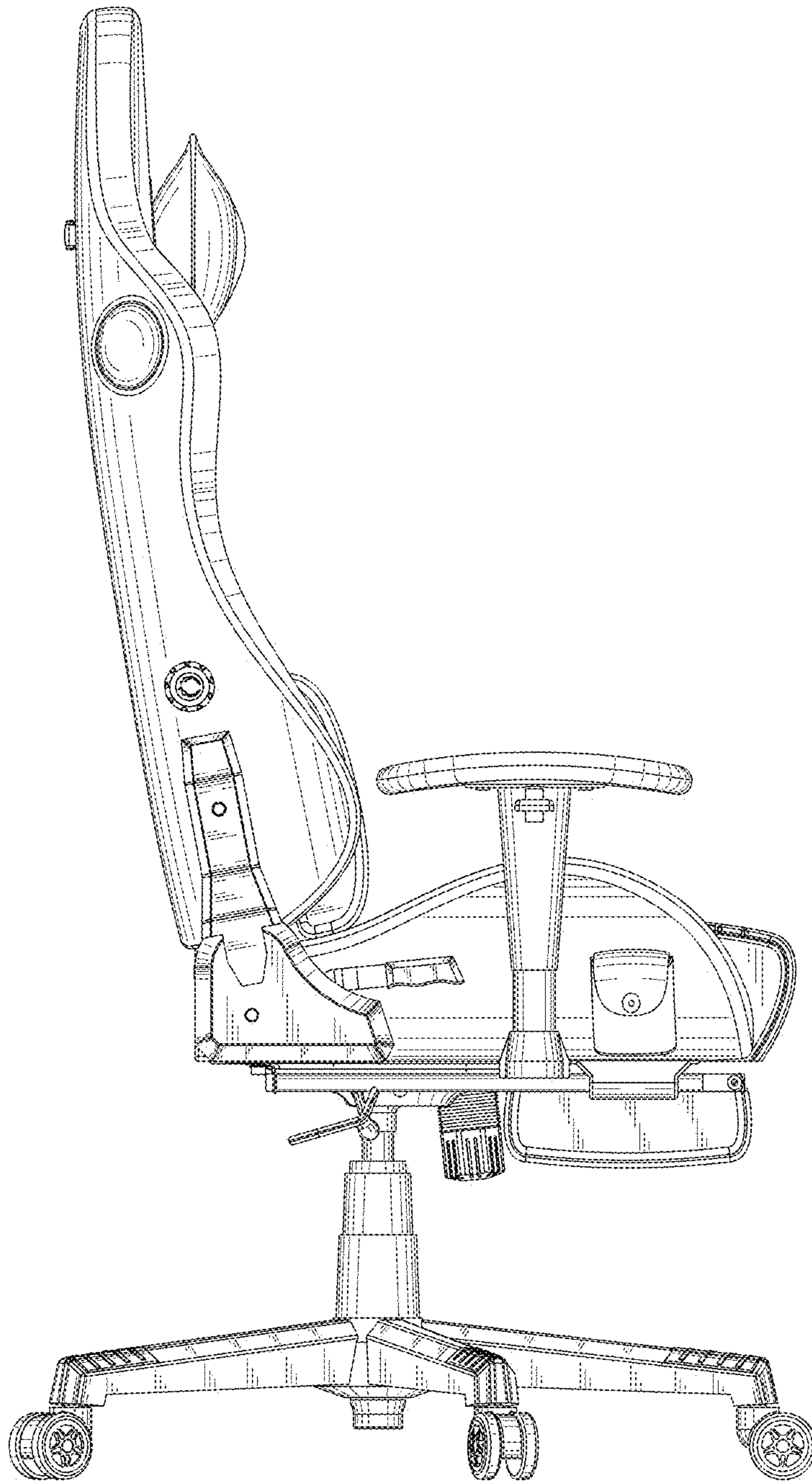


Fig. 4

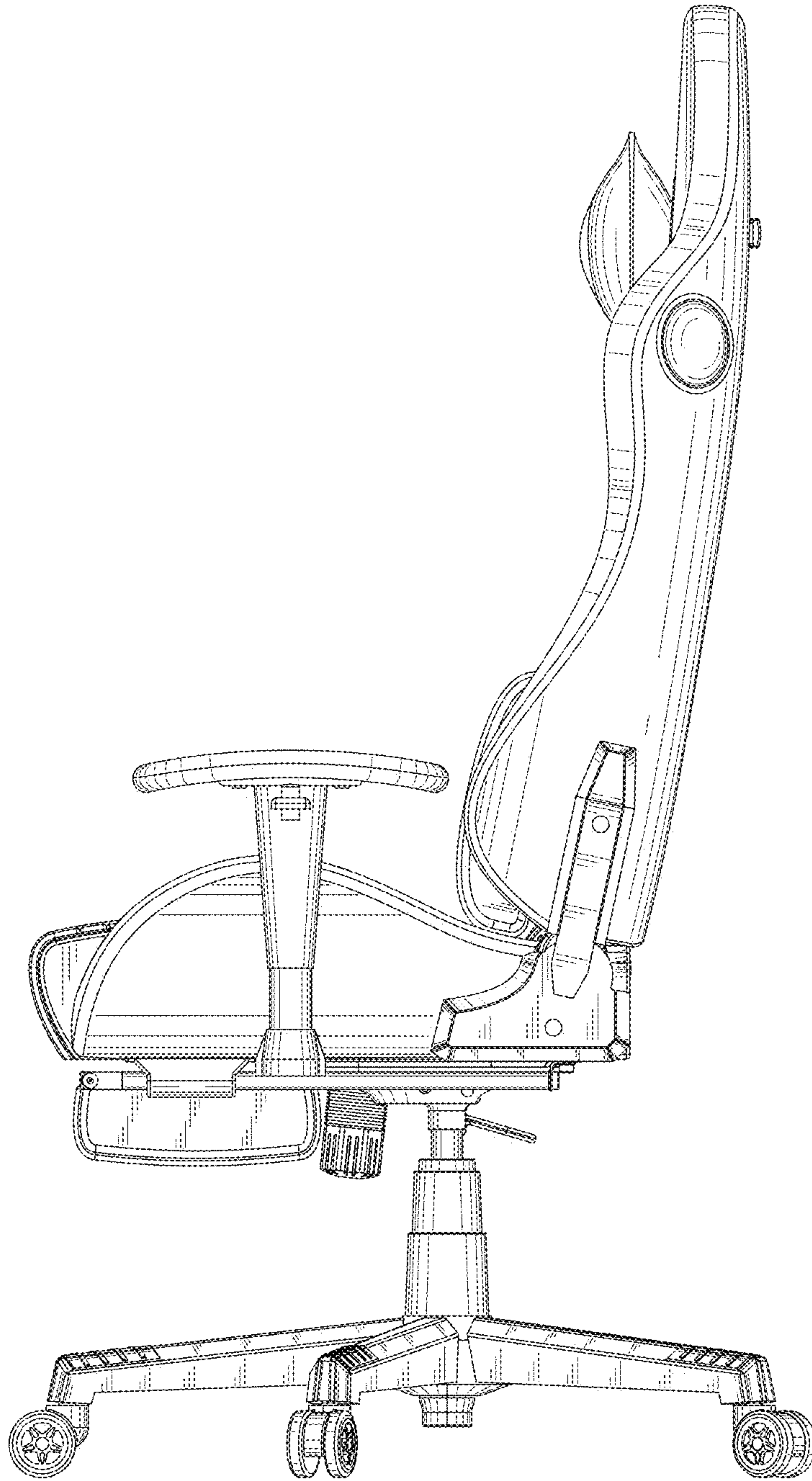


Fig. 5

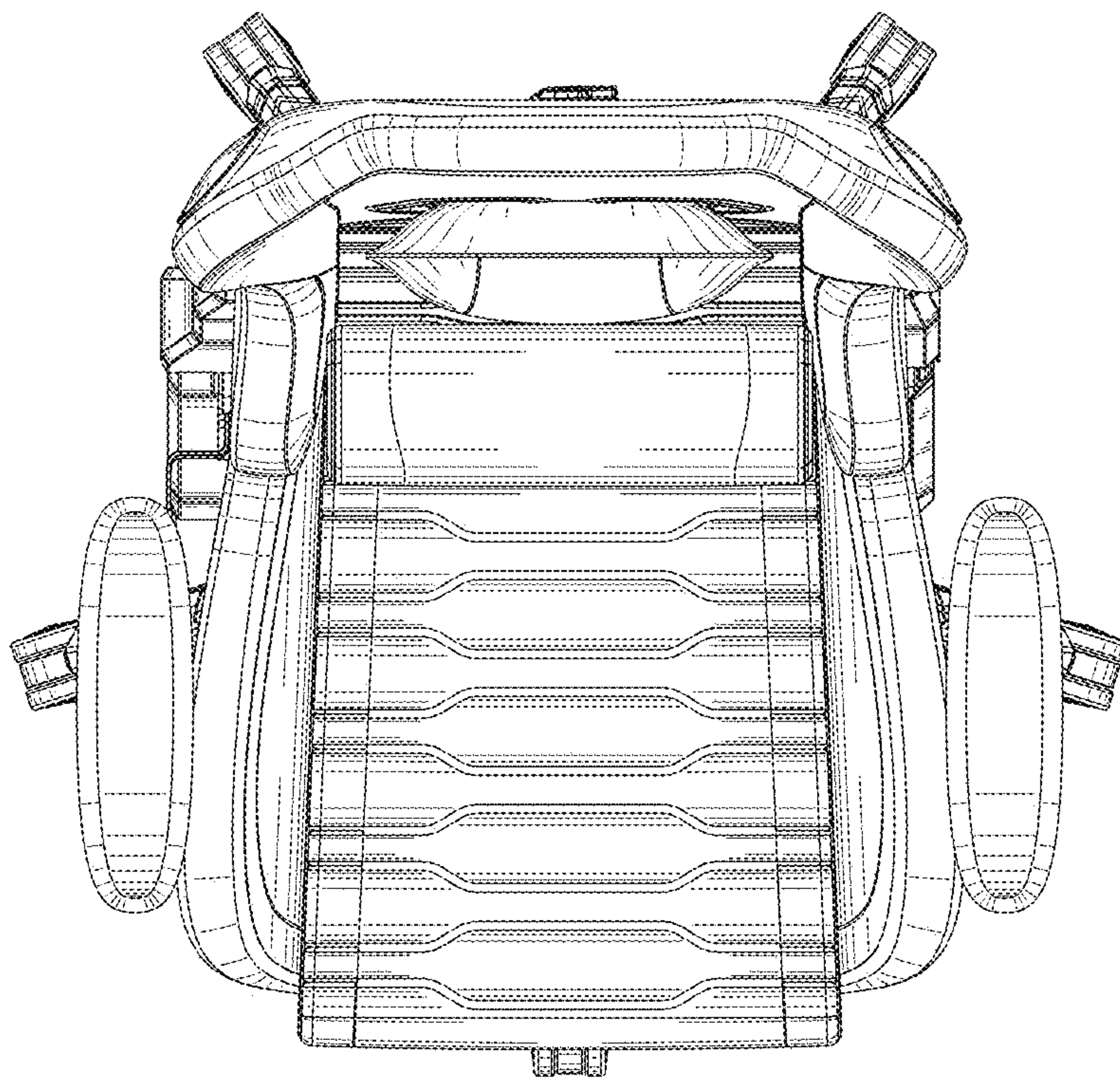


Fig. 6

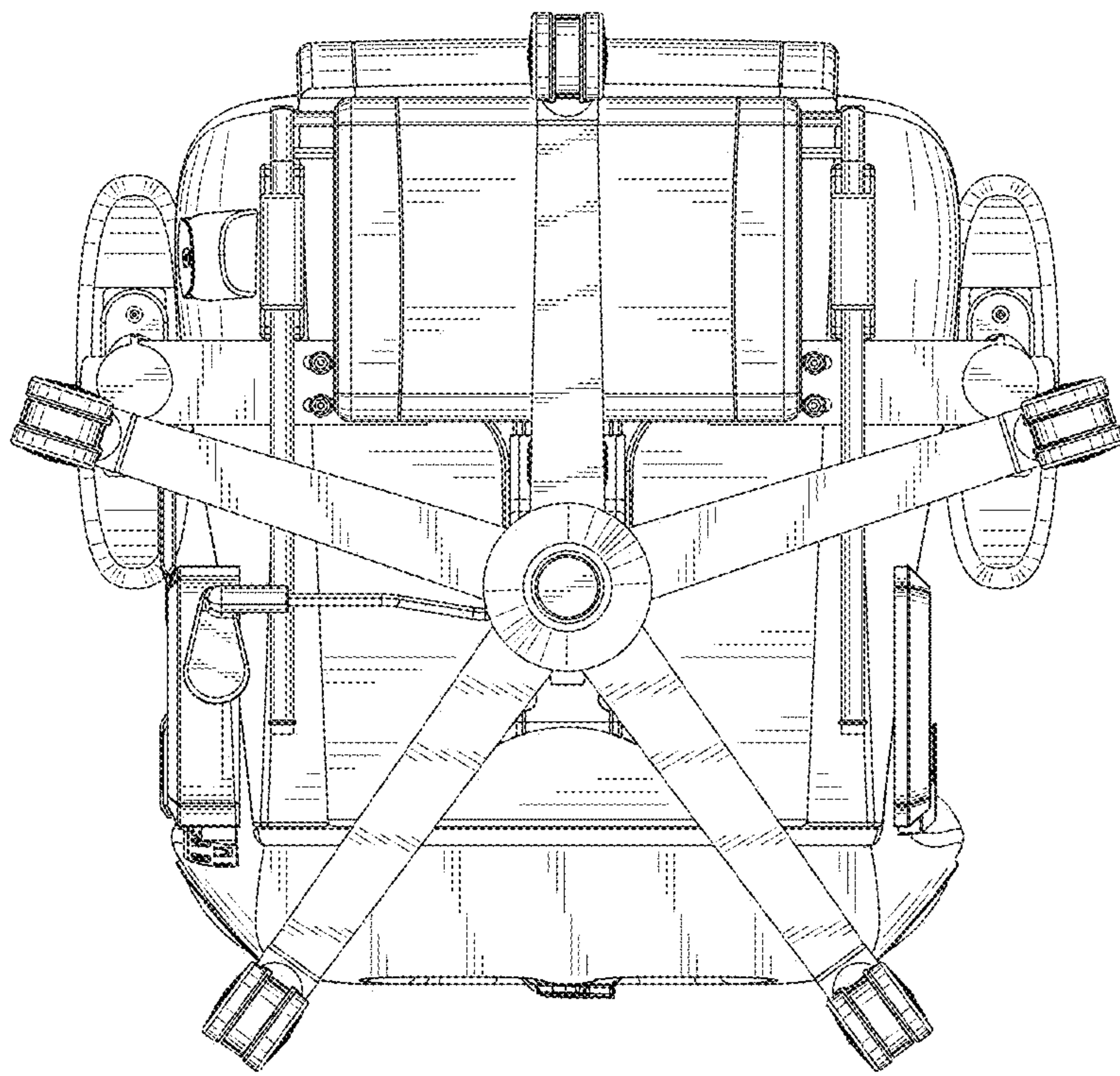


Fig. 7