



US00D983541S

(12) **United States Design Patent**  
**Jiang**

(10) **Patent No.:** **US D983,541 S**

(45) **Date of Patent:** **\*\* Apr. 18, 2023**

(54) **CHAISE LONGUE**

D749,335 S \* 2/2016 Vanderminden ..... D6/361  
D823,014 S 7/2018 Guggenbichler  
D825,213 S 8/2018 Sagnier

(71) Applicant: **Feng Jiang**, Ningbo (CN)

(72) Inventor: **Feng Jiang**, Ningbo (CN)

(\*\*) Term: **15 Years**

(21) Appl. No.: **29/884,982**

(22) Filed: **Feb. 17, 2023**

(51) **LOC (14) Cl.** ..... **06-01**

(52) **U.S. Cl.**  
USPC ..... **D6/361**

(58) **Field of Classification Search**

USPC ..... D6/334-336, 361, 367, 369, 370, 374,  
D6/375, 379, 716, 716.1, 716.2, 716.3,  
D6/716.4  
CPC ..... A47C 1/02; A47C 1/024; A47C 1/025;  
A47C 1/14; A47C 1/026; A47C 1/143;  
A47C 5/02; A47C 7/402; A47C 7/50;  
A47C 4/06; A47C 4/12; A47C 4/28;  
A47C 4/30

See application file for complete search history.

(56) **References Cited**

**U.S. PATENT DOCUMENTS**

D291,507 S \* 8/1987 Colby ..... D6/361  
D299,685 S \* 2/1989 Frinier ..... D6/367  
D335,775 S \* 5/1993 Lamalle ..... D6/369  
D704,463 S \* 5/2014 Vanderminden ..... D6/361  
D734,047 S \* 7/2015 Vanderminden ..... D6/361

**OTHER PUBLICATIONS**

Homrest Chaise Lounge Chairs for Outside, Adjustable 6 Position Outdoor PE Rattan Wicker Patio Pool Lounge Chair with Arm, Cushion, Pillow and Wheels for Poolside Backyard Deck Porch Garden Beach, from amazon.com, Date First Available: Jan. 5, 2022, pp. 1, 8, 10, from <https://www.amazon.com/HOMRES-Adjustable-Position-Poolside-Backyard/dp/B09PQL971M?th=1> (Year: 2022).\*

\* cited by examiner

*Primary Examiner* — Mimosa De

(74) *Attorney, Agent, or Firm* — Georgi Korobanov

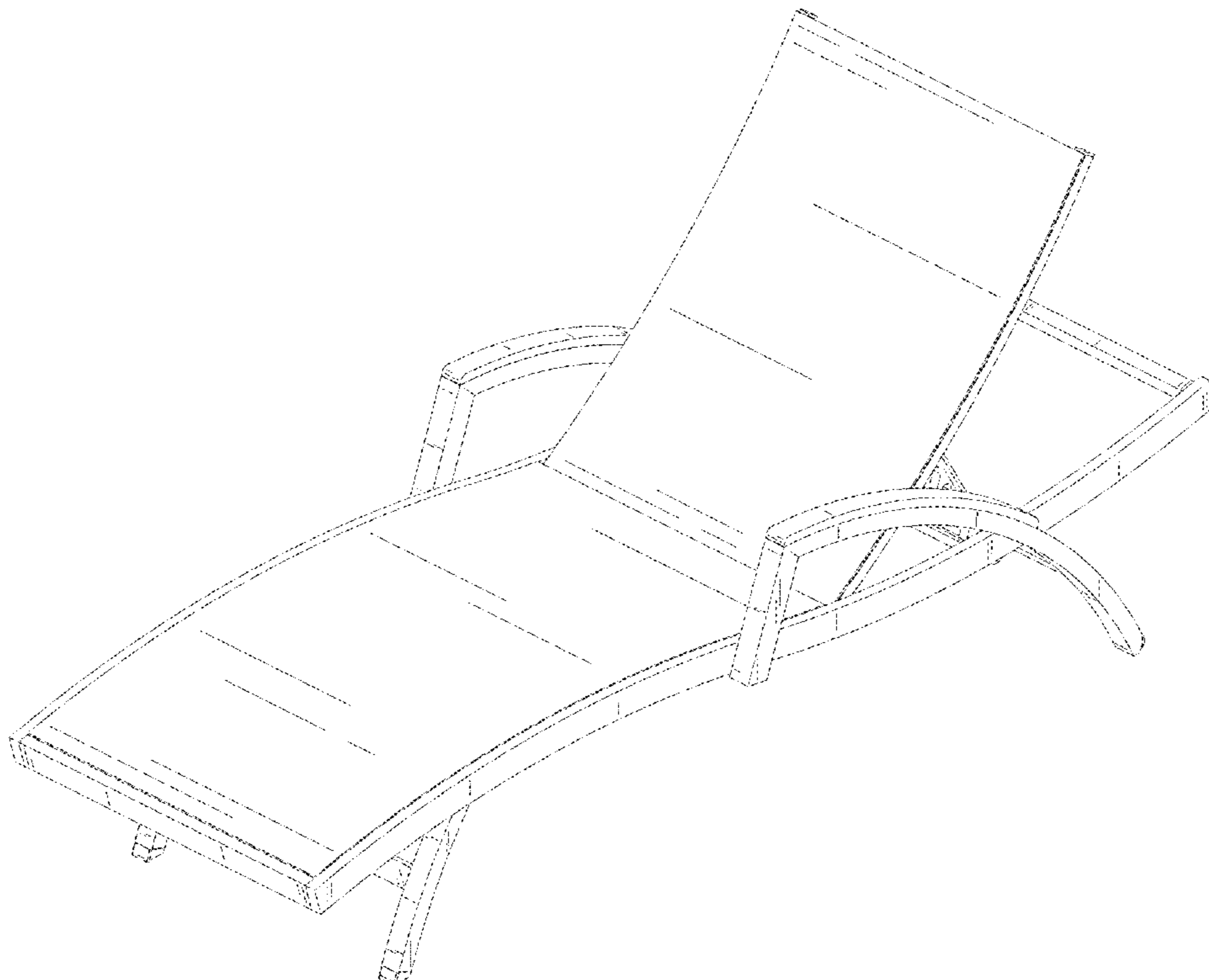
(57) **CLAIM**

The ornamental design for a chaise longue, as shown and described.

**DESCRIPTION**

FIG. 1 is a rear, bottom and left side perspective view of a chaise longue, showing my new design;  
FIG. 2 is a front, top and right side perspective view thereof;  
FIG. 3 is a top plan view thereof;  
FIG. 4 is a bottom plan view thereof;  
FIG. 5 is a left side view thereof;  
FIG. 6 is a right side view thereof;  
FIG. 7 is a rear view thereof; and,  
FIG. 8 is a front plan view thereof.

**1 Claim, 8 Drawing Sheets**



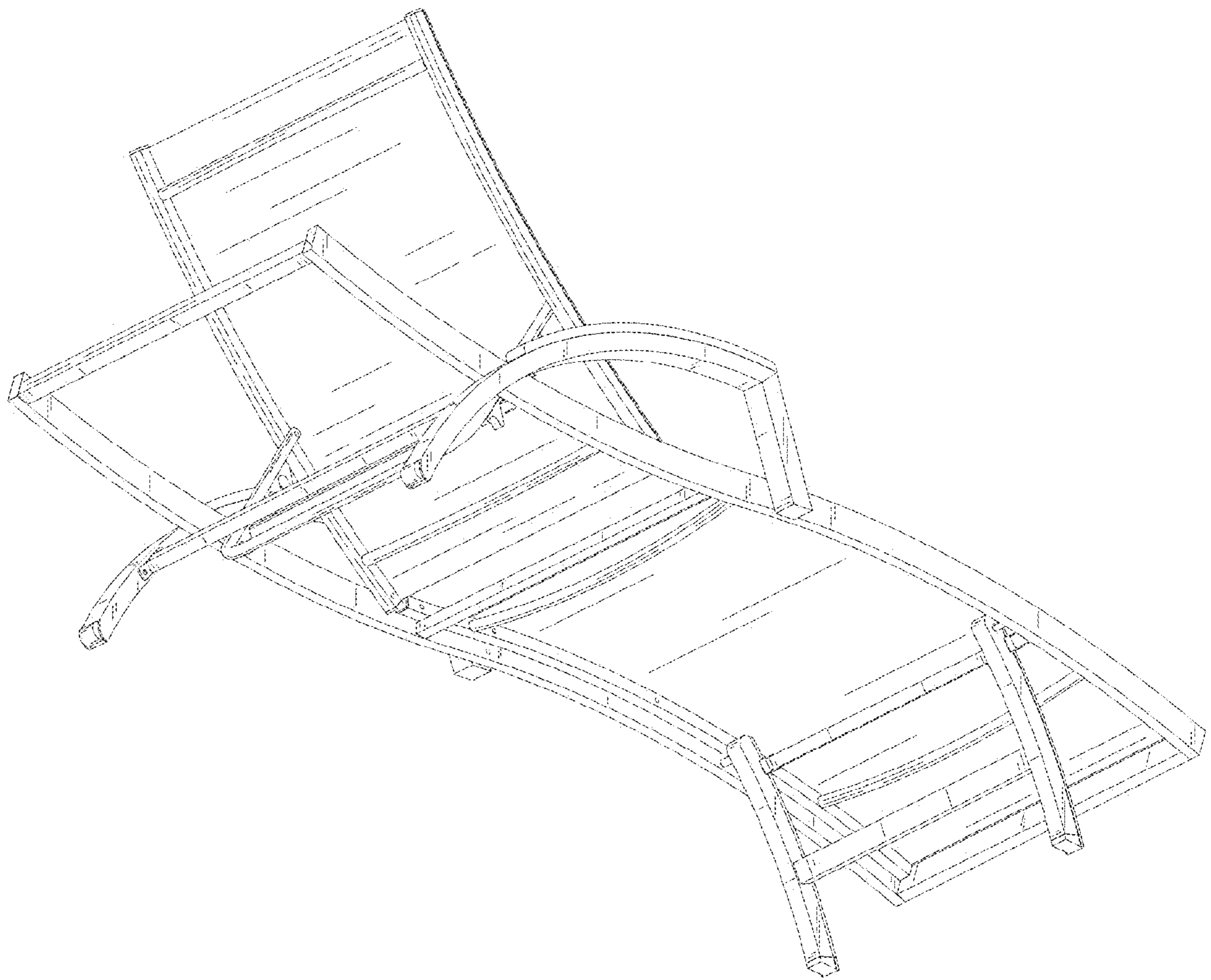


FIG. 1

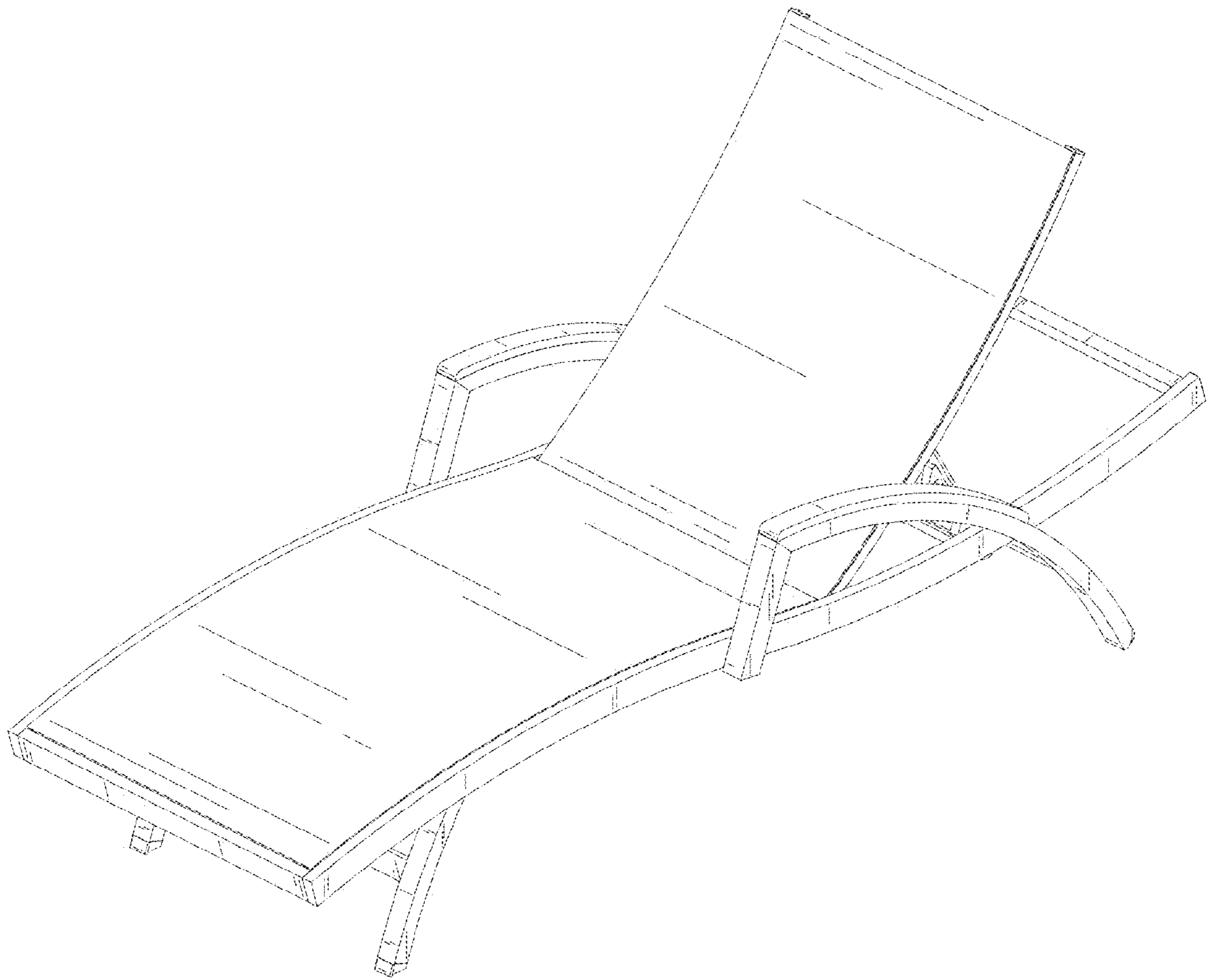


FIG. 2

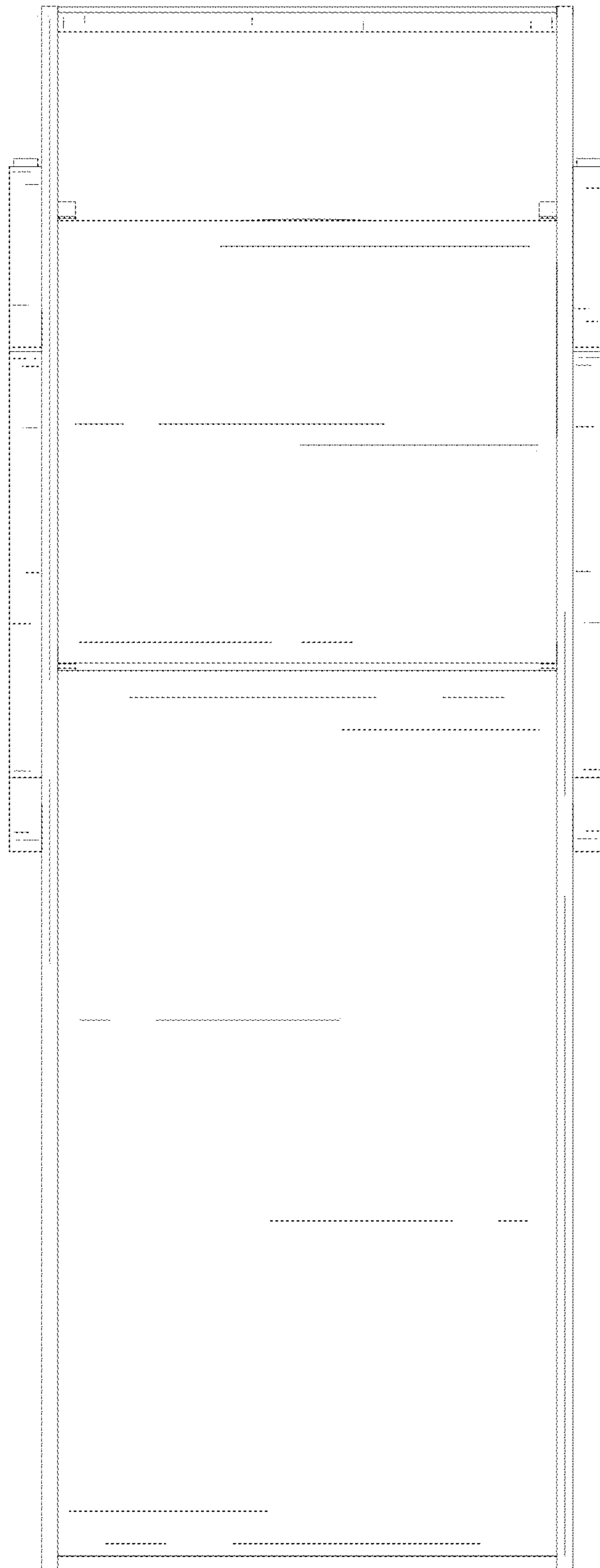


FIG. 3

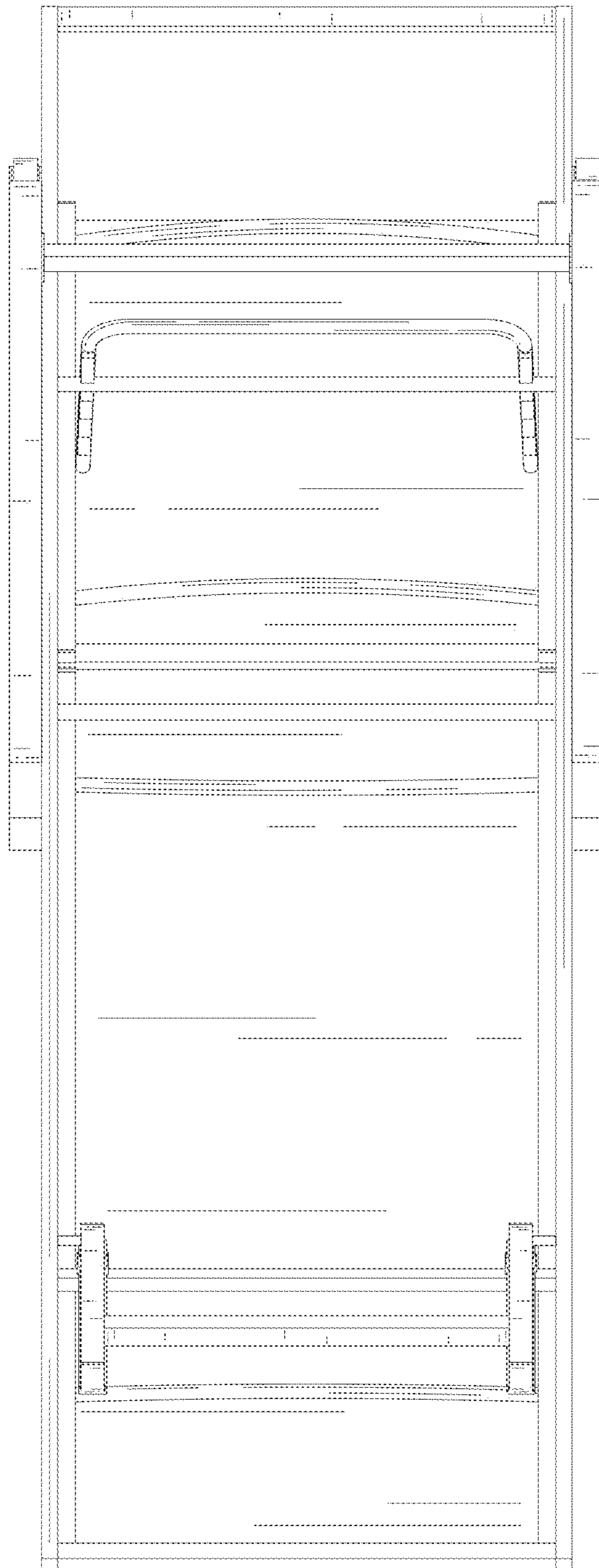


FIG. 4

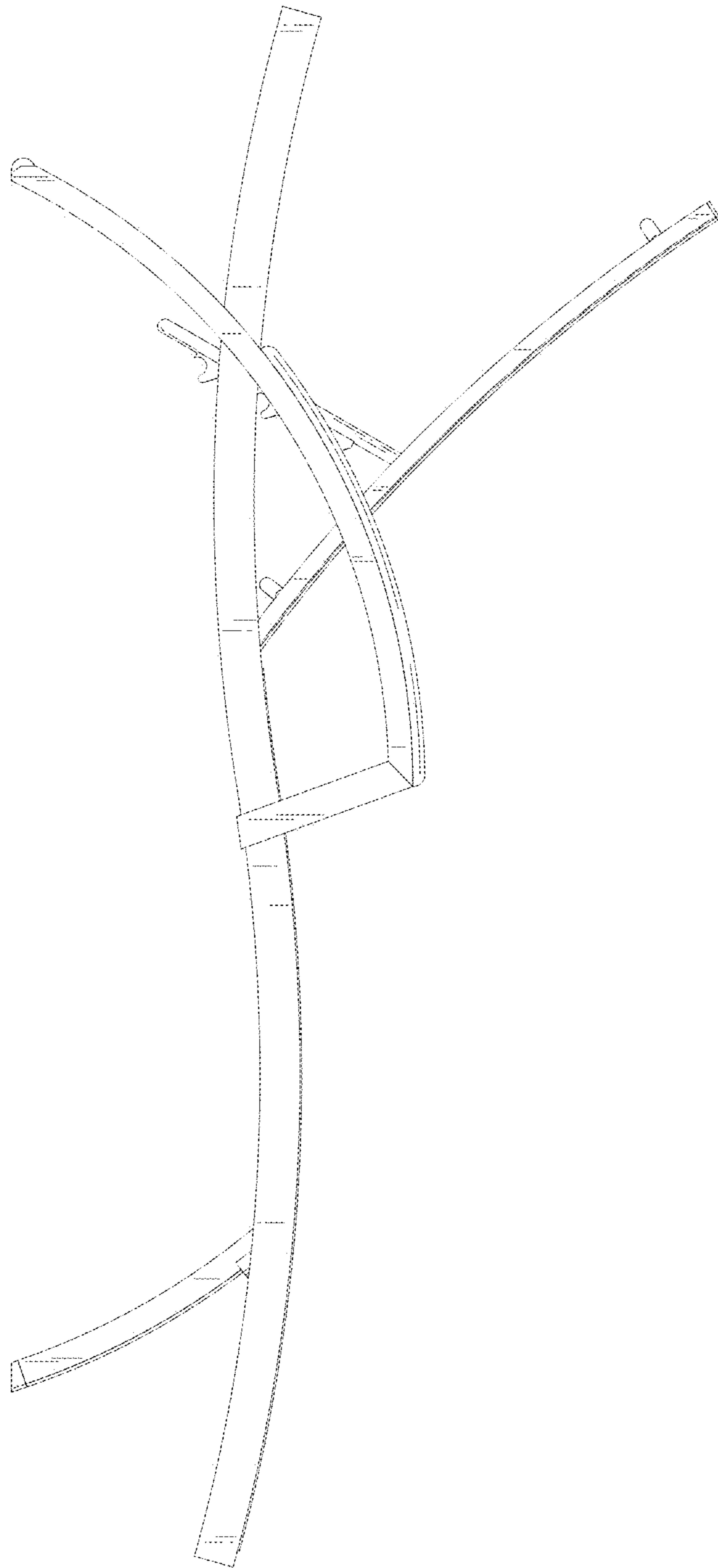


FIG. 5

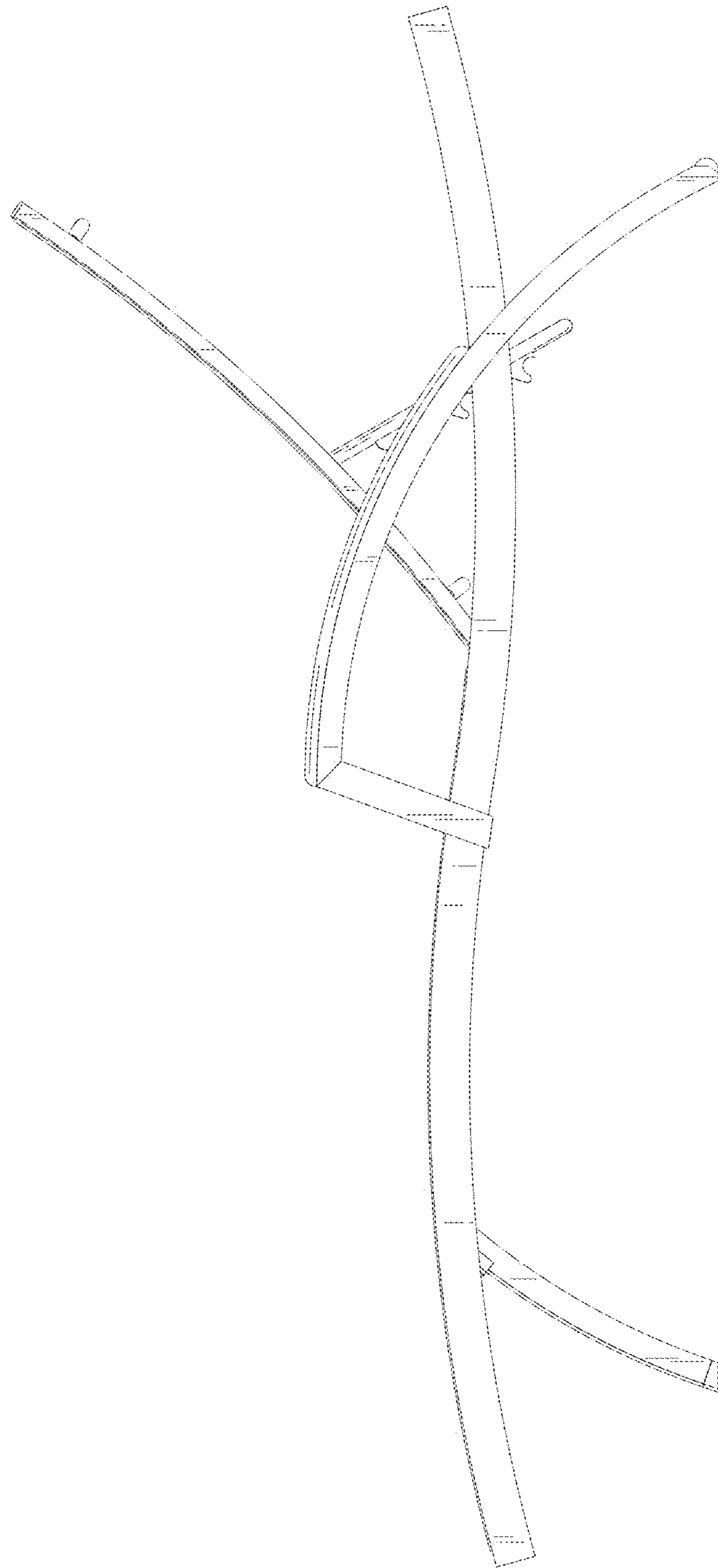


FIG. 6

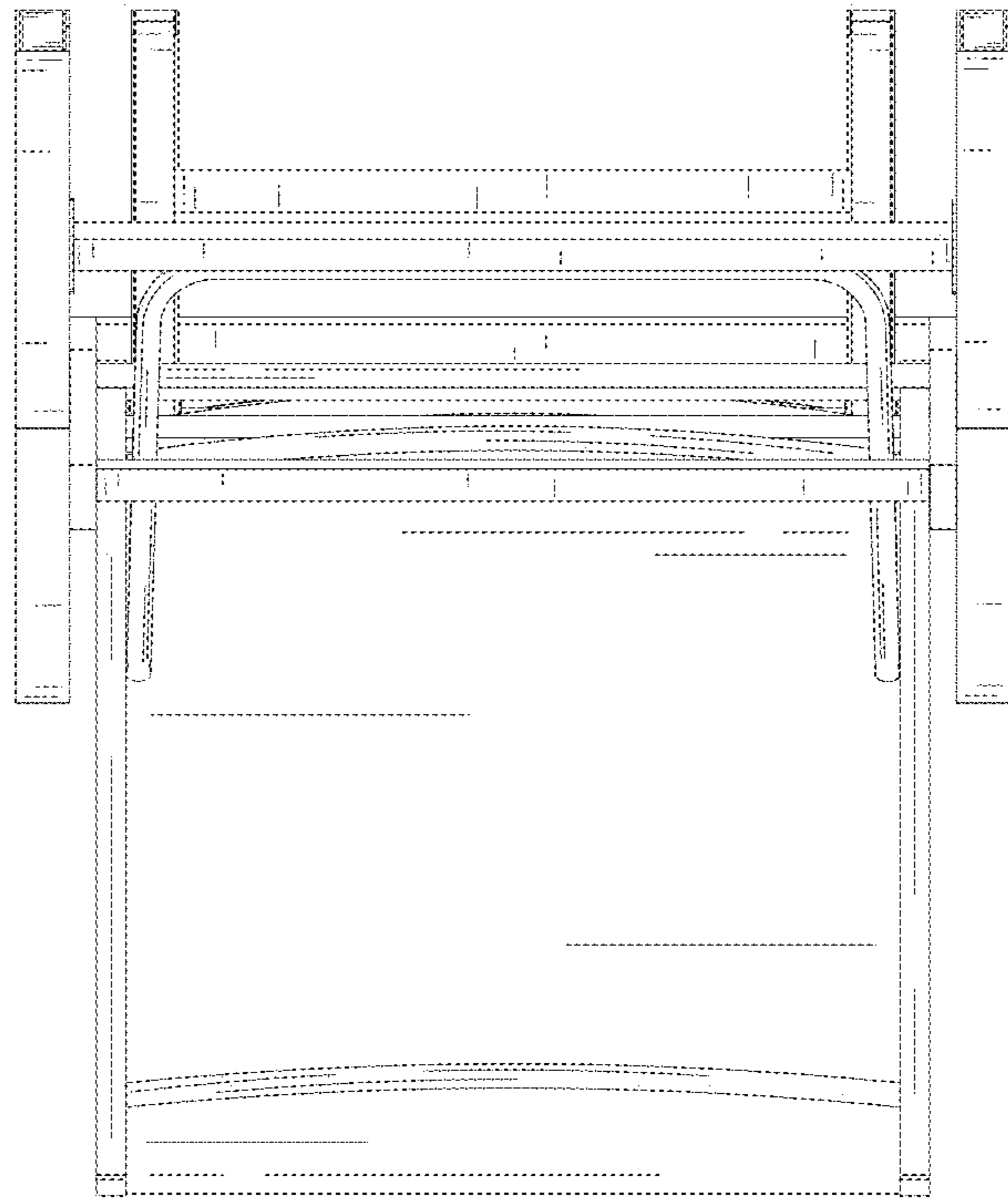


FIG. 7



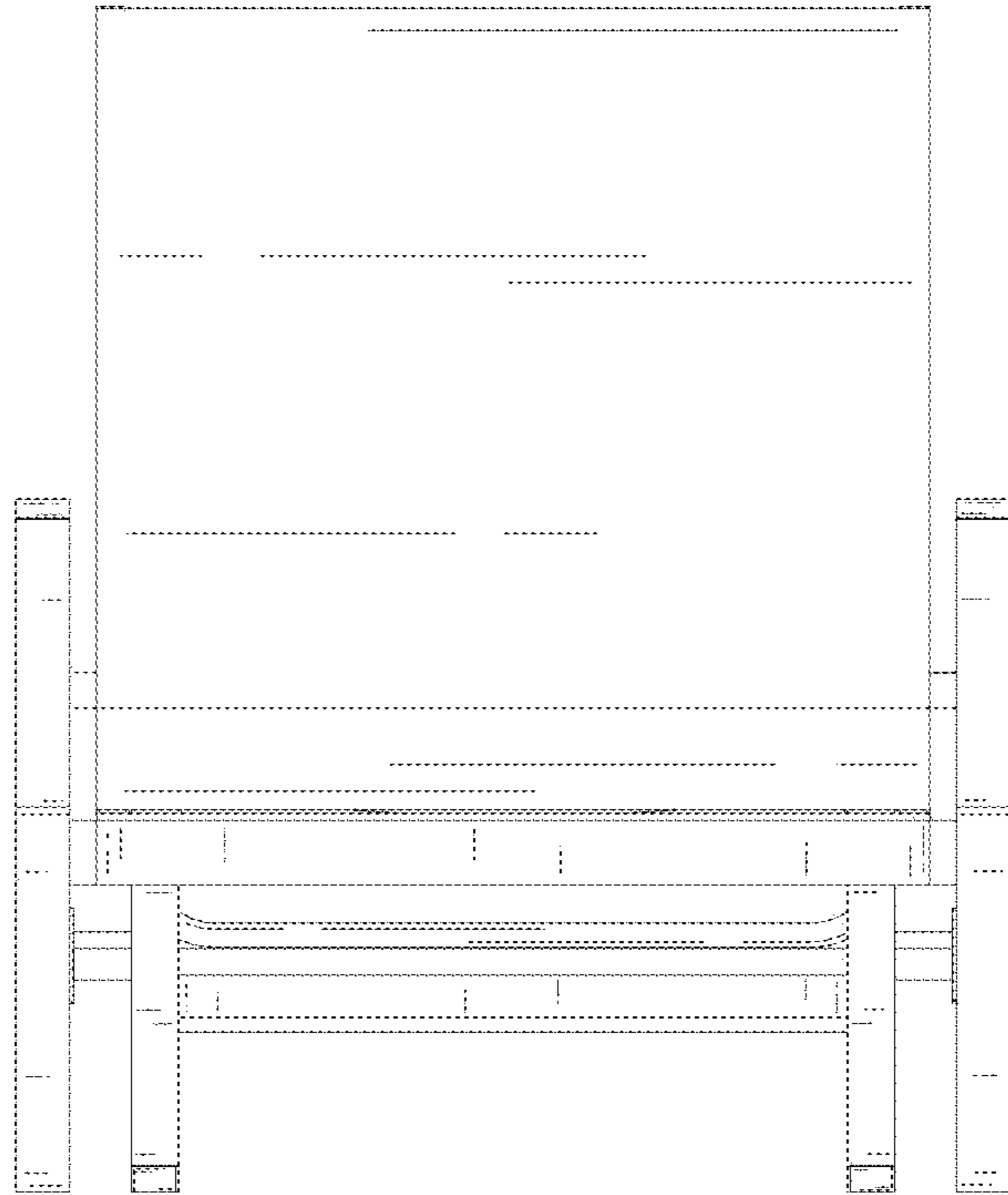


FIG. 8