



US00D983540S

(12) **United States Design Patent**
Wang

(10) **Patent No.:** **US D983,540 S**
(45) **Date of Patent:** **** Apr. 18, 2023**

(54) **SLEEPER CHAIR**

(71) Applicant: **Xinyi Wang**, Zhejiang (CN)

(72) Inventor: **Xinyi Wang**, Zhejiang (CN)

(73) Assignee: **NINGBO YINWAN INTERNATIONAL TRADE CO., LTD.**, Zhejiang (CN)

(**) Term: **15 Years**

(21) Appl. No.: **29/846,069**

(22) Filed: **Jul. 13, 2022**

(51) **LOC (14) Cl.** **06-01**

(52) **U.S. Cl.**
USPC **D6/355; D6/335**

(58) **Field of Classification Search**
USPC D6/334, 335, 342, 345, 349, 352, 360,
D6/363, 364, 365, 369, 374, 375, 376,
D6/355, 381
CPC .. A47C 4/028; A47C 1/00; A47C 3/12; A47C
17/00; A47C 17/02; A47C 17/04; A47C
17/12; A47C 17/13; A47C 17/136; A47C
17/16

See application file for complete search history.

(56) **References Cited**

U.S. PATENT DOCUMENTS

665,645	A *	1/1901	Schrock	A47C 17/20 5/52
2,620,856	A *	12/1952	Gardner	A47B 85/04 297/120
2,790,485	A *	4/1957	Franklin	A47C 17/12 297/116
D430,740	S *	9/2000	Chun	D6/381
D541,545	S *	5/2007	Gomez	
D549,470	S *	8/2007	Hutton	D6/334
D698,191	S *	1/2014	Kubryk	D6/366
D730,075	S *	5/2015	Kubryk	D6/375
D768,421	S *	10/2016	Kubryk	D6/716

(Continued)

OTHER PUBLICATIONS

Velvet Accent Chair by Acmease, first available: May 5, 2022. Amazon.com [online], [site visited Sep. 2, 2022], Internet URL: https://www.amazon.com/ACMEASE-Adjustable-Armrests-Backrest-Recliner/dp/B09ZJWNNX4/ref=psdc_1063306_t2_B09WDDYWY8 (Year: 2022).*

Primary Examiner — Mary Ann Calabrese

Assistant Examiner — Hillary Catherine Shepard

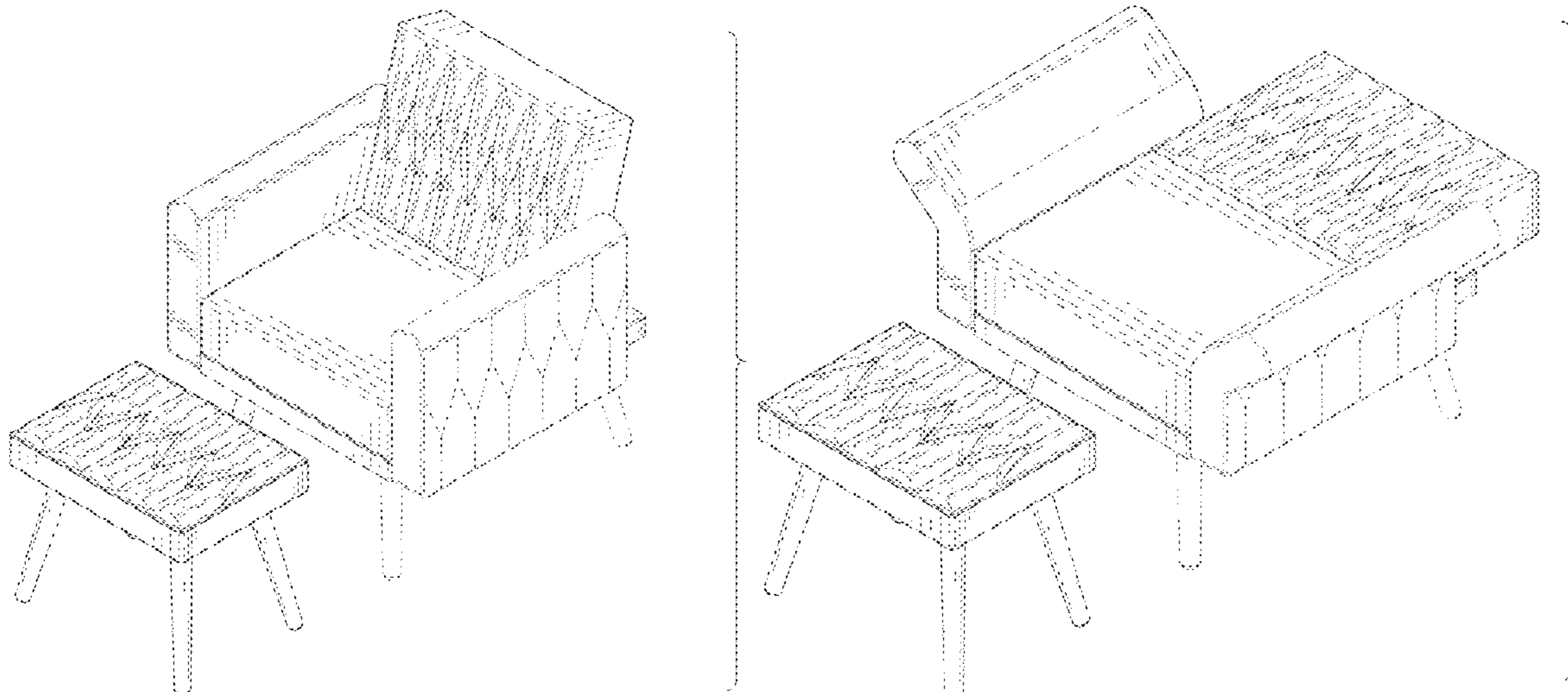
(57) **CLAIM**

The ornamental design for a sleeper chair, as shown and described.

DESCRIPTION

FIG. 1 is a perspective view of a sleeper chair, showing my new design;
FIG. 2 is a front and top perspective view of a first piece of the sleeper chair;
FIG. 3 is a rear and bottom perspective view thereof;
FIG. 4 is a front elevation view thereof;
FIG. 5 is a rear elevation view thereof;
FIG. 6 is a left side elevation view thereof;
FIG. 7 is a right side elevation view thereof;
FIG. 8 is a top plan view thereof;
FIG. 9 is a bottom plan view thereof;
FIG. 10 is a front and top perspective view of a second piece of the sleeper chair;
FIG. 11 is a rear and bottom perspective view thereof;
FIG. 12 is a front elevation view thereof;
FIG. 13 is a rear elevation view thereof;
FIG. 14 is a left side elevation view thereof;
FIG. 15 is a right side elevation view thereof;
FIG. 16 is a top plan view thereof;
FIG. 17 is a bottom plan view thereof; and,
FIG. 18 is another perspective view thereof, shown in an alternative position.
The broken lines in the figures illustrate portions of the sleeper chair that form no part of the claimed design.

1 Claim, 18 Drawing Sheets



(56)

References Cited

U.S. PATENT DOCUMENTS

D806,411 S *	1/2018	Dassen	D6/334
D859,014 S *	9/2019	Lopez	D6/334
D859,859 S *	9/2019	Lopez	D6/334
D874,167 S *	2/2020	Tian	D6/334
D899,795 S *	10/2020	Hale	D6/334
D907,385 S *	1/2021	Li	D6/366
D956,442 S *	7/2022	Tingler	D6/374

* cited by examiner

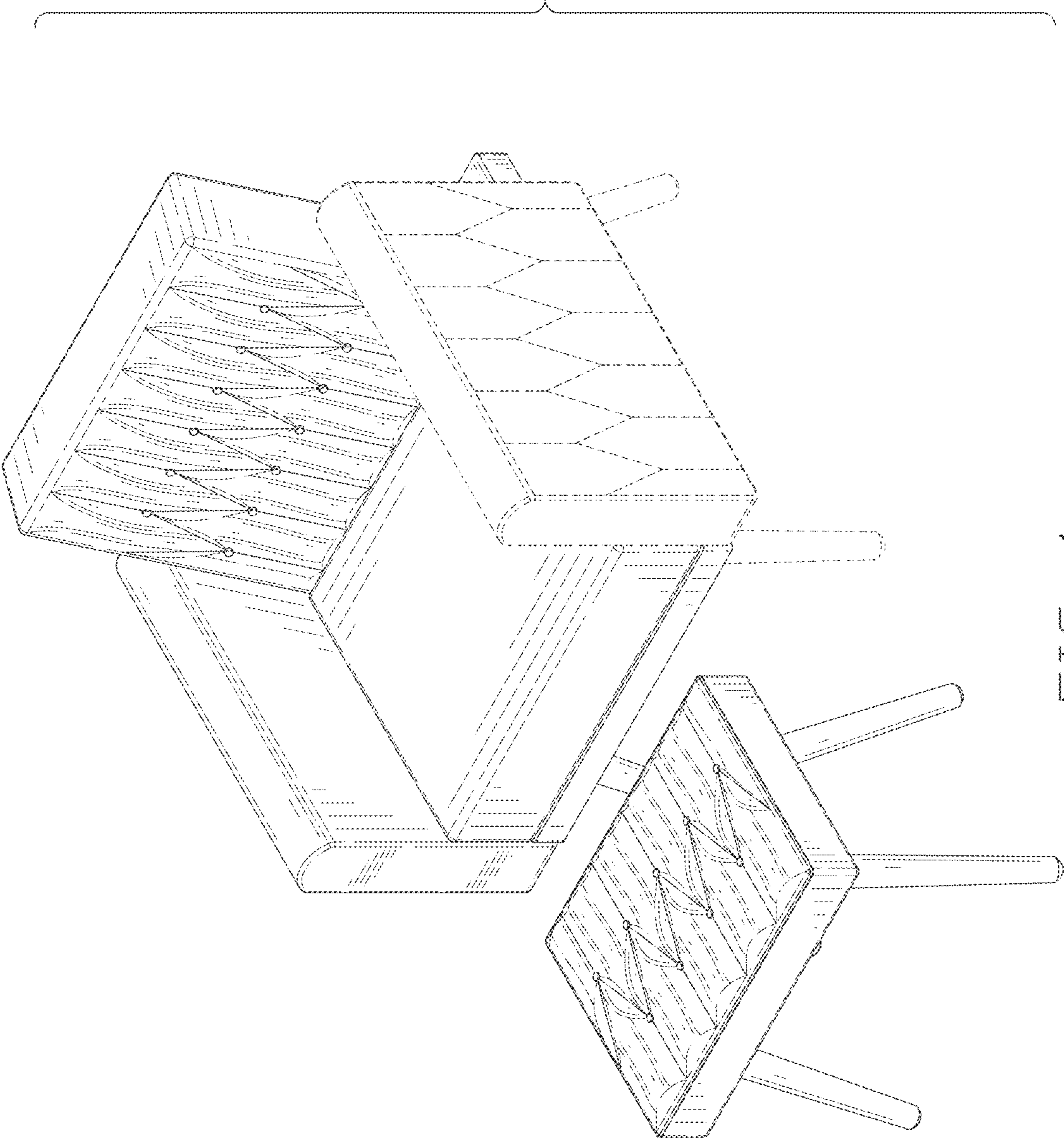


FIG. 1

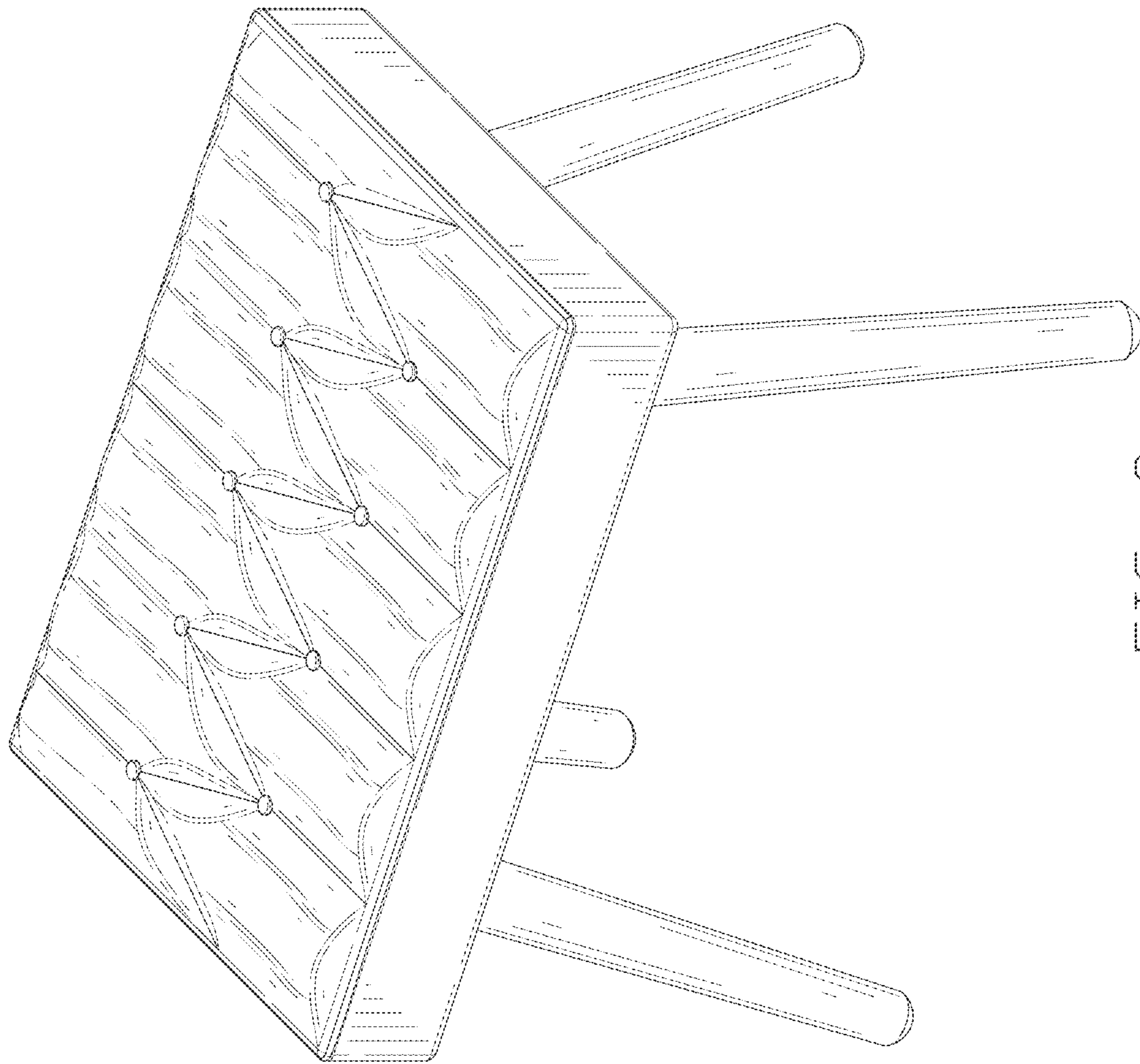


FIG. 2

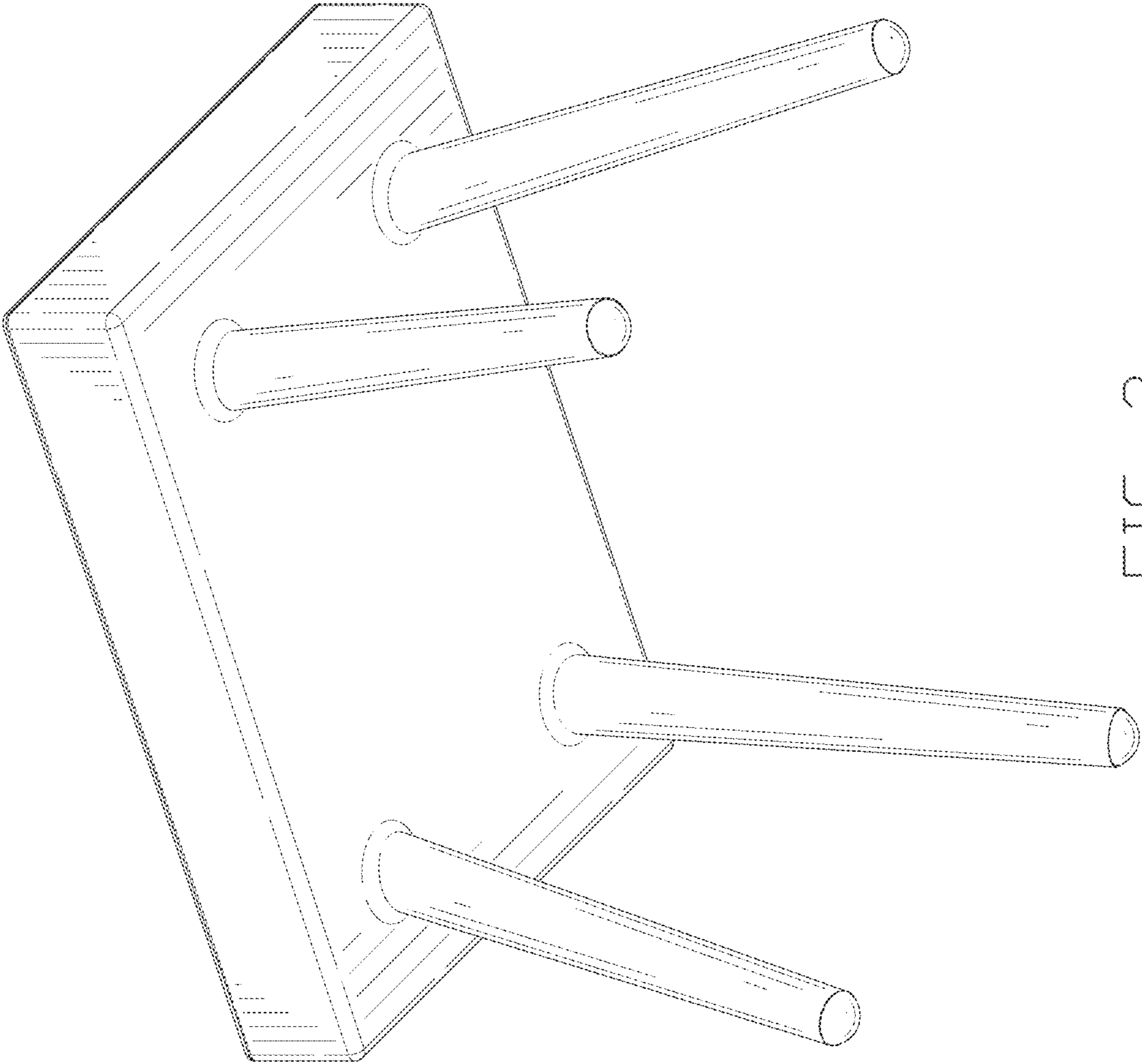


FIG. 3

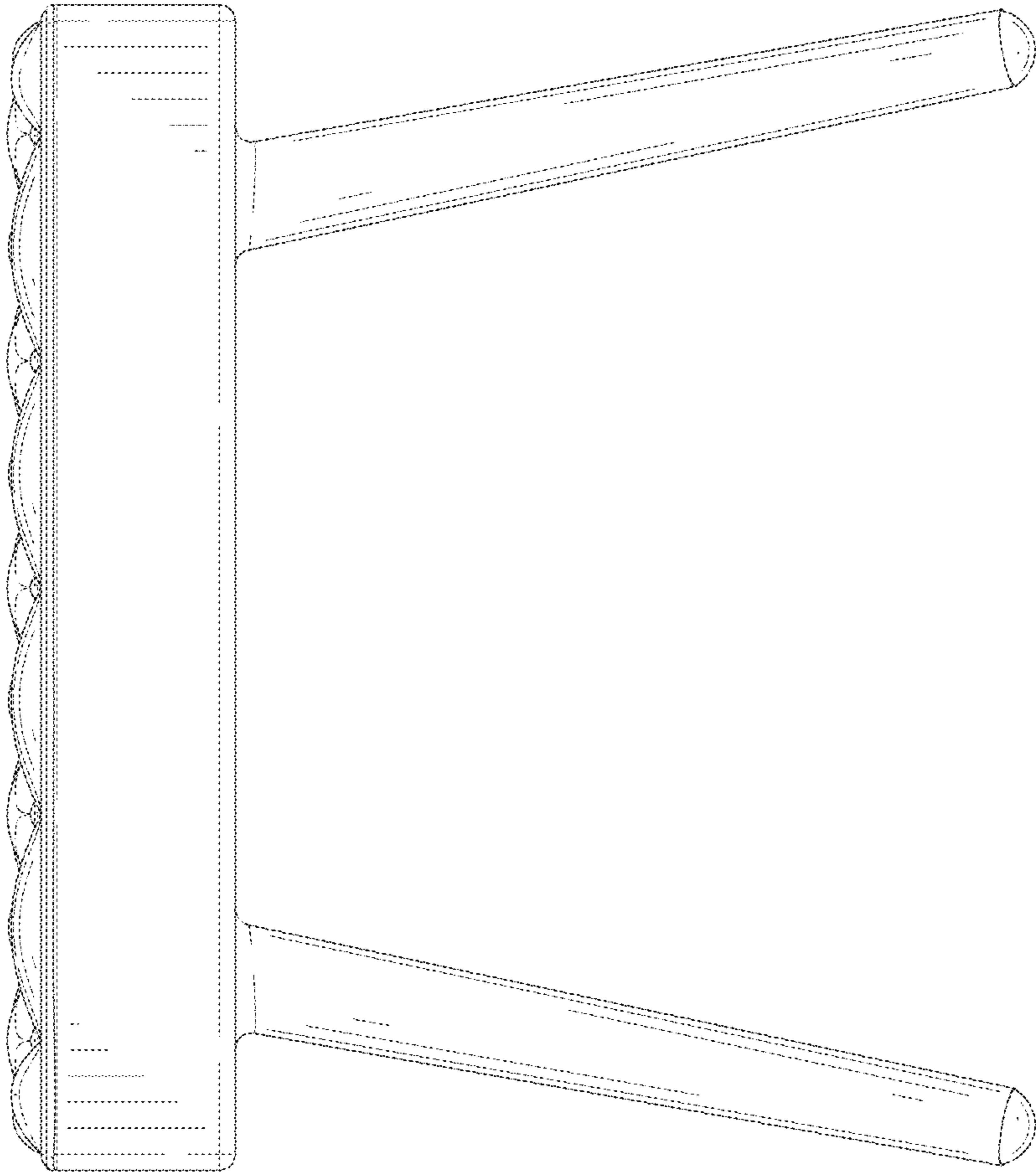


FIG. 4

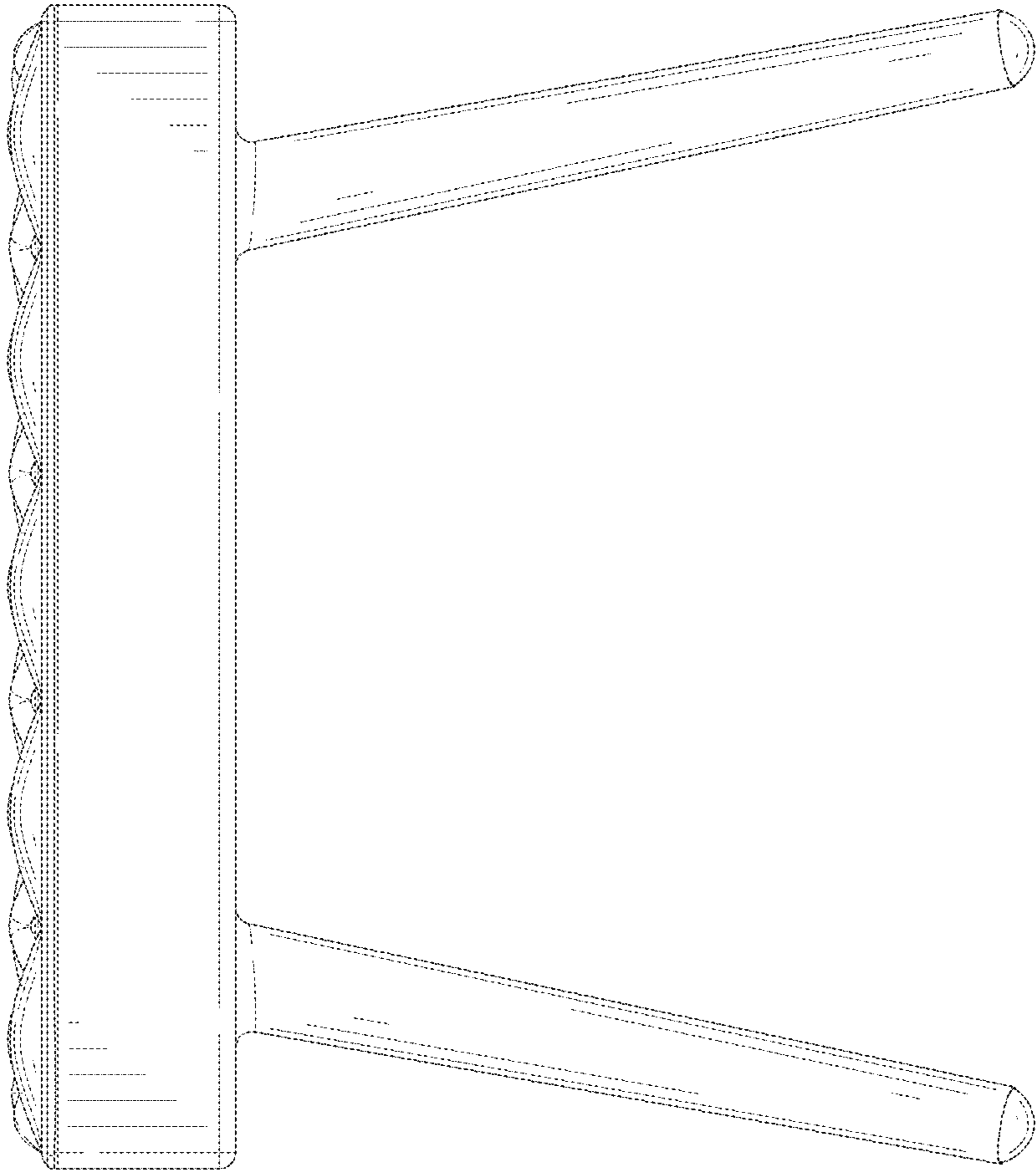


FIG. 5

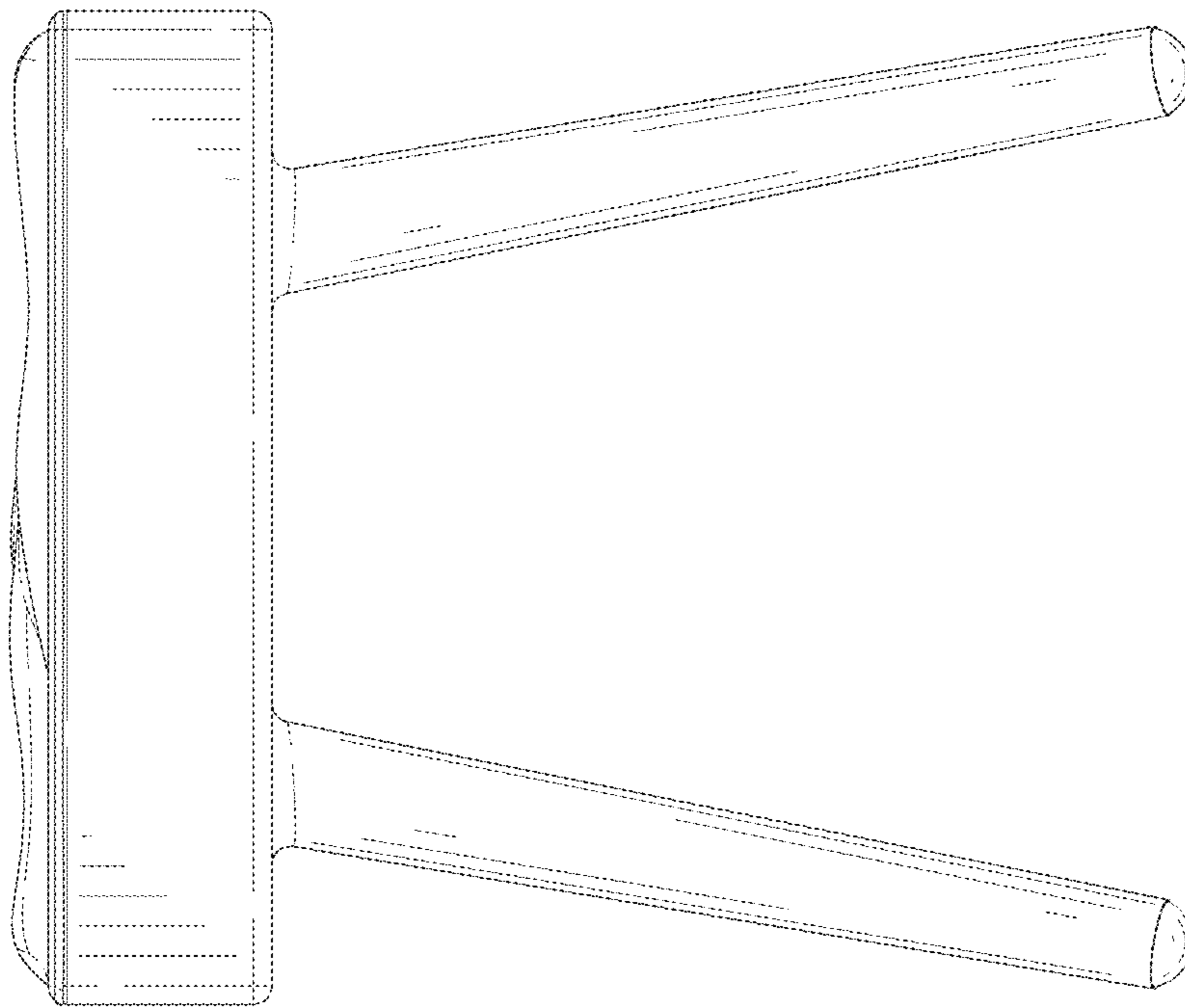


FIG. 6

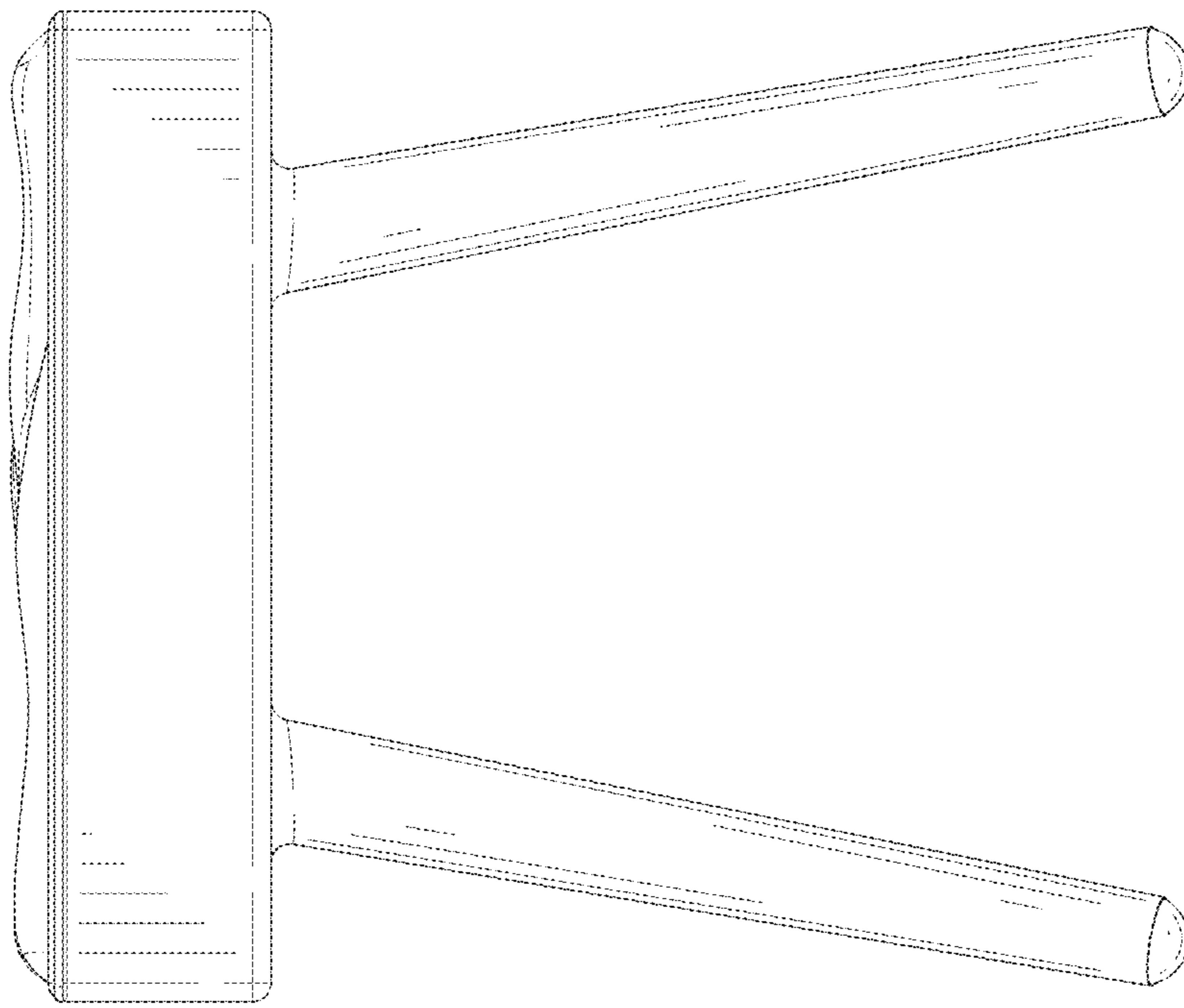


FIG. 7

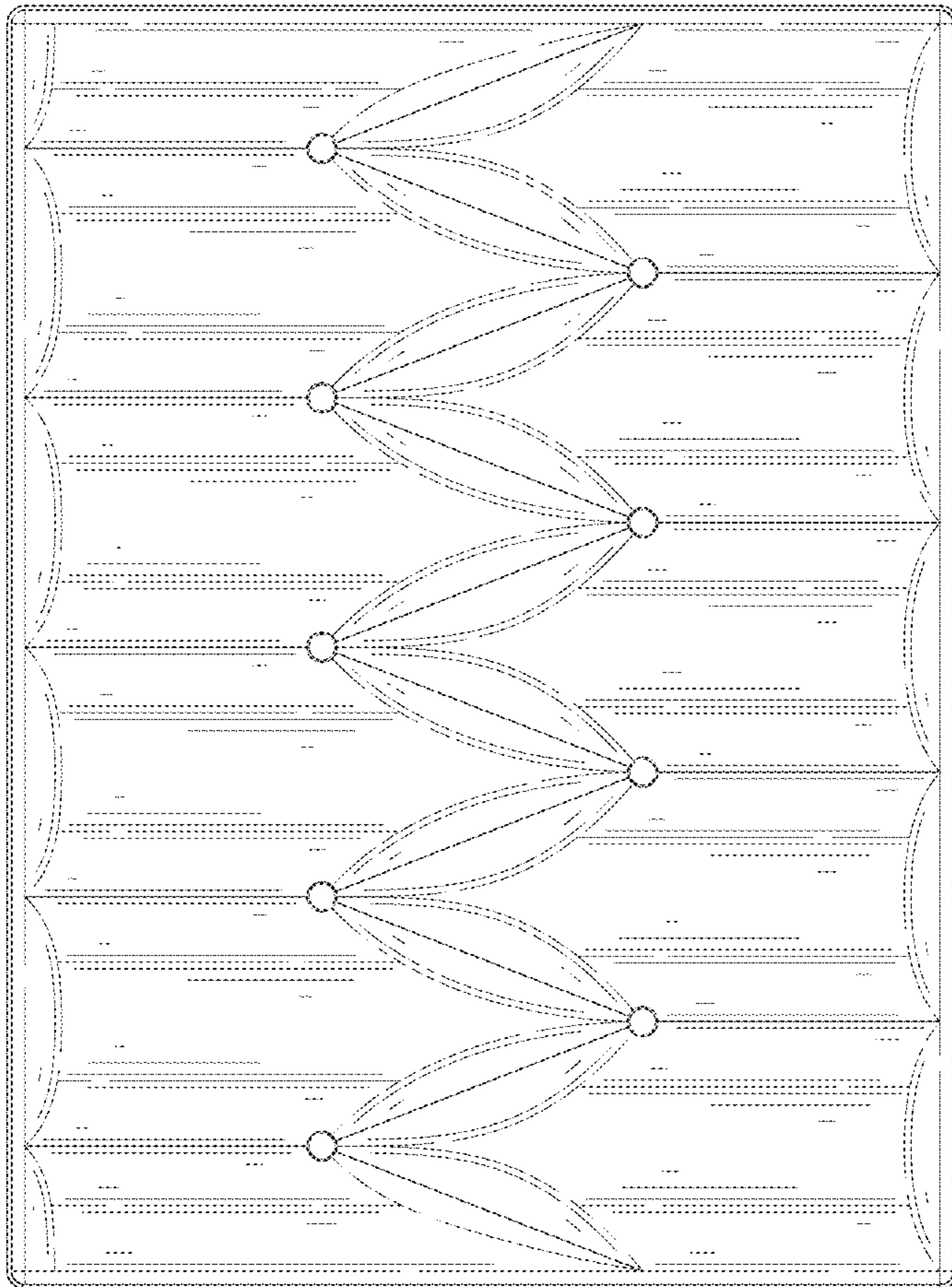


FIG. 8

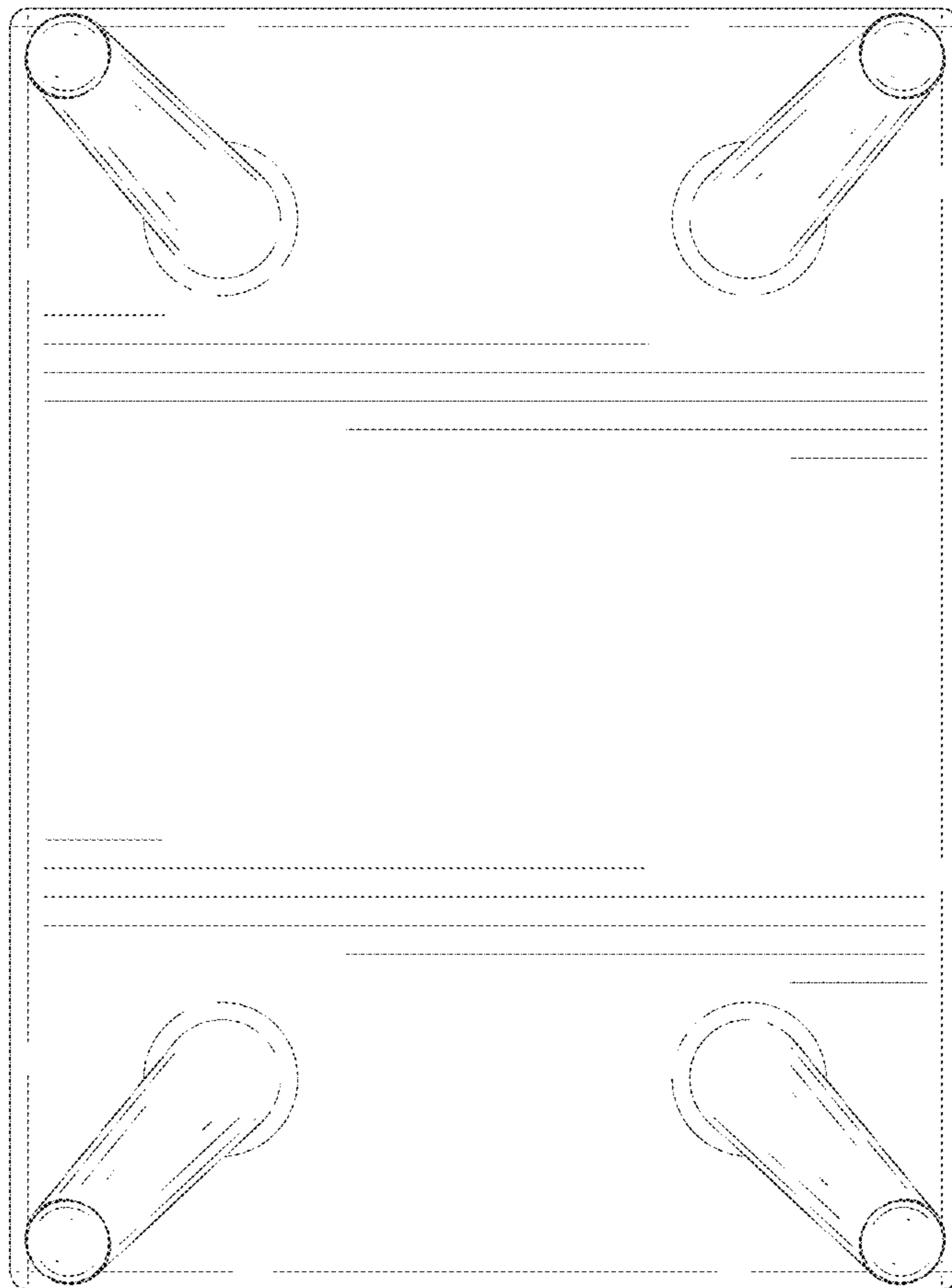


FIG. 9

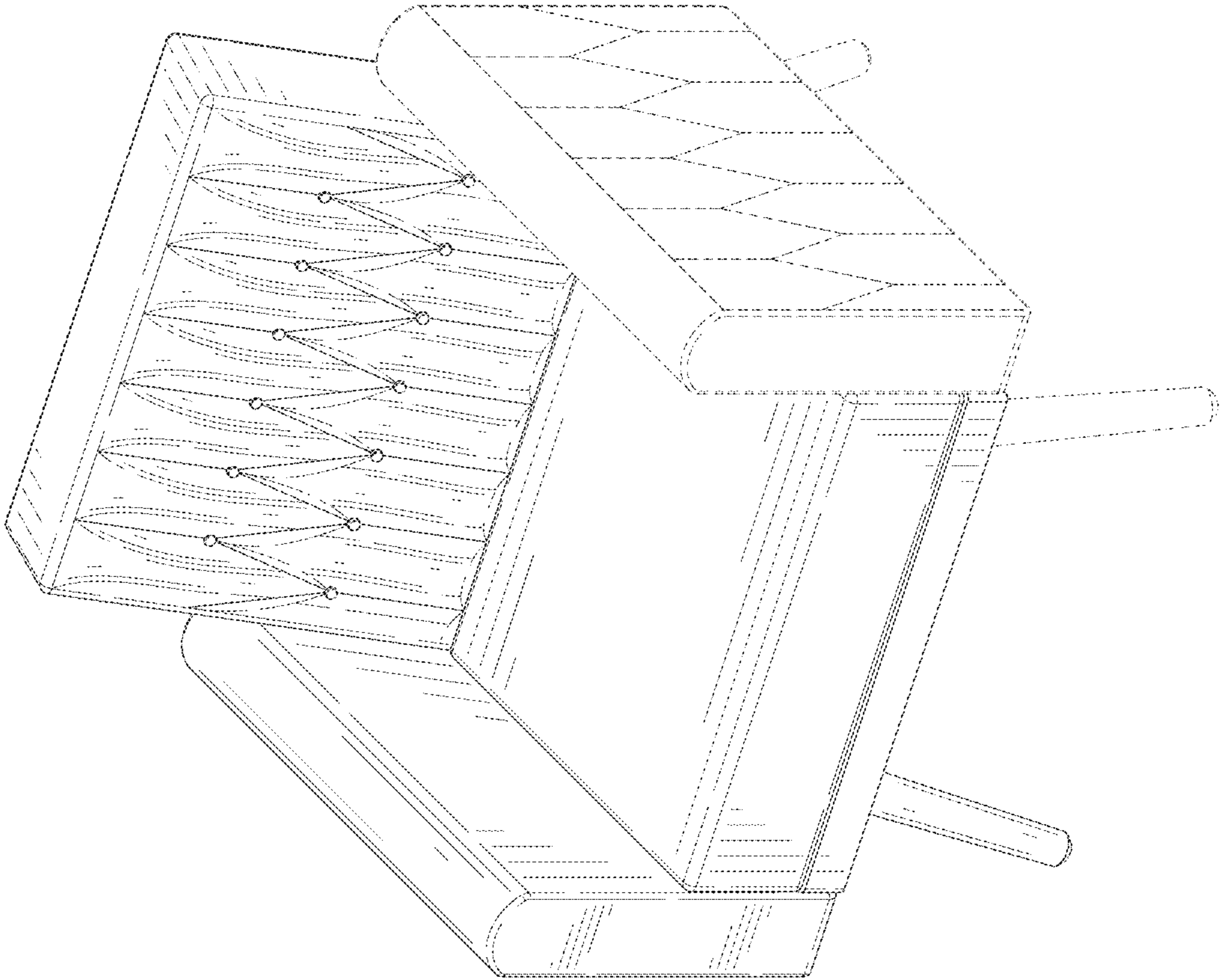


FIG. 10

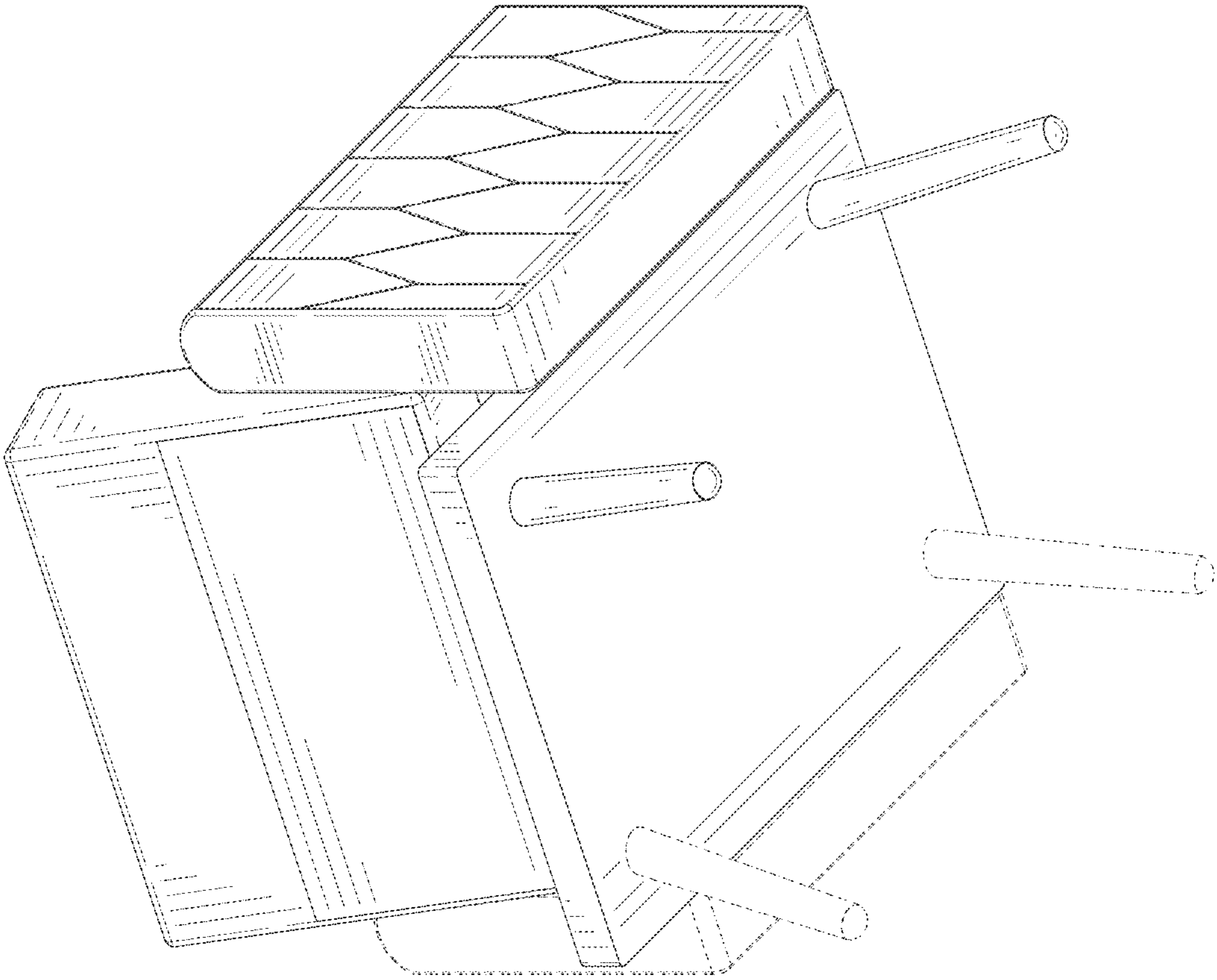


FIG. 11

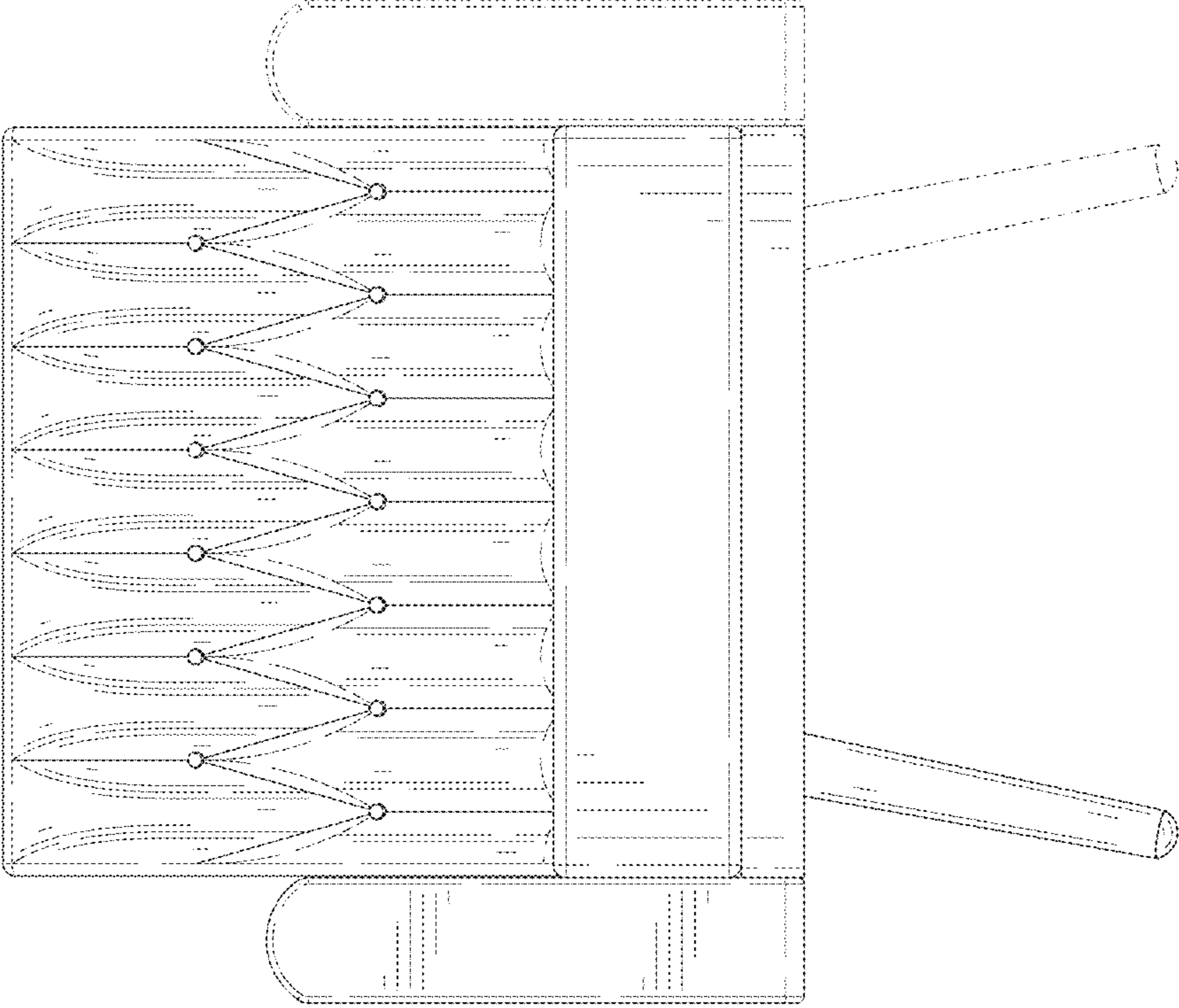


FIG. 12

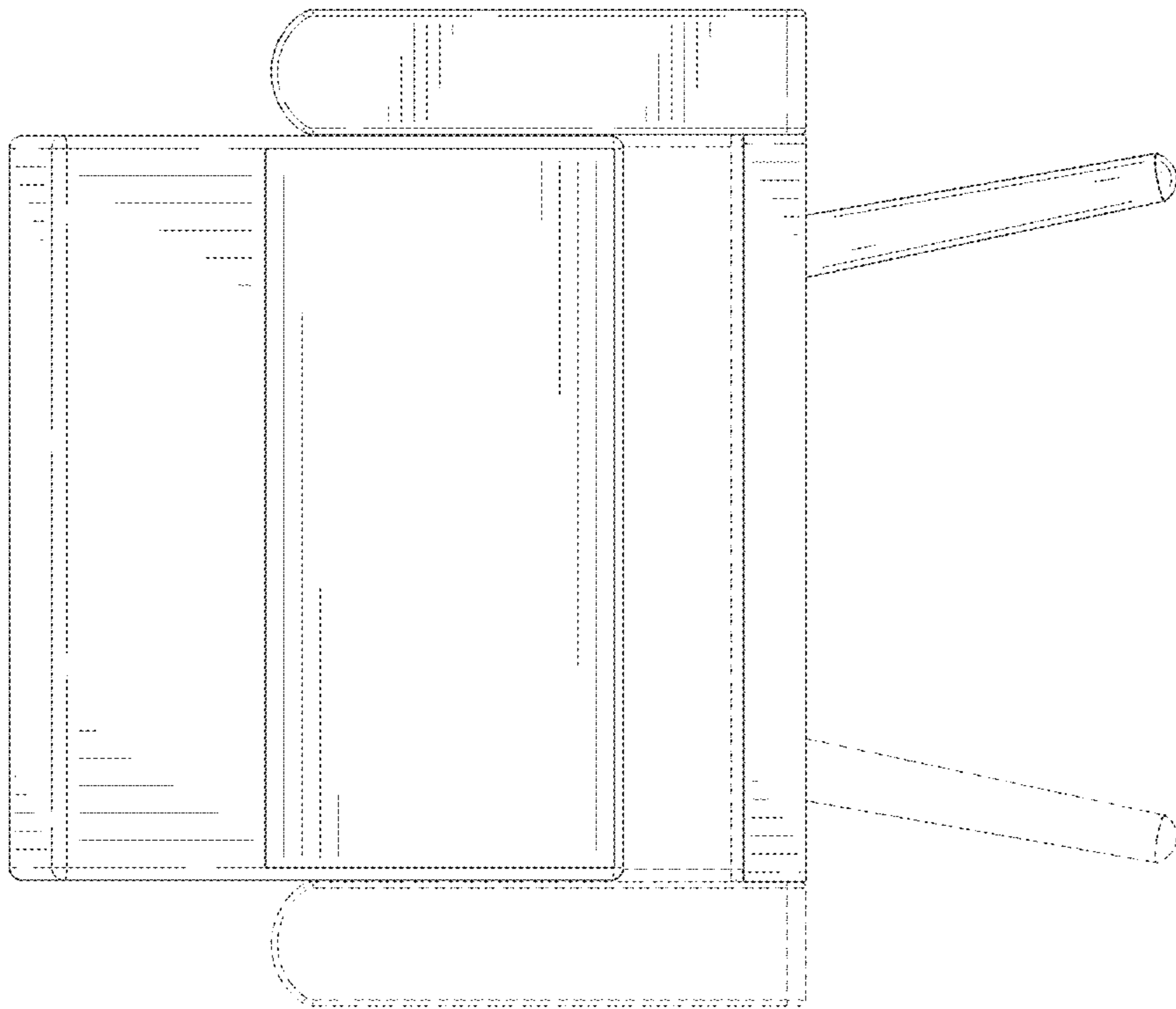


FIG. 13

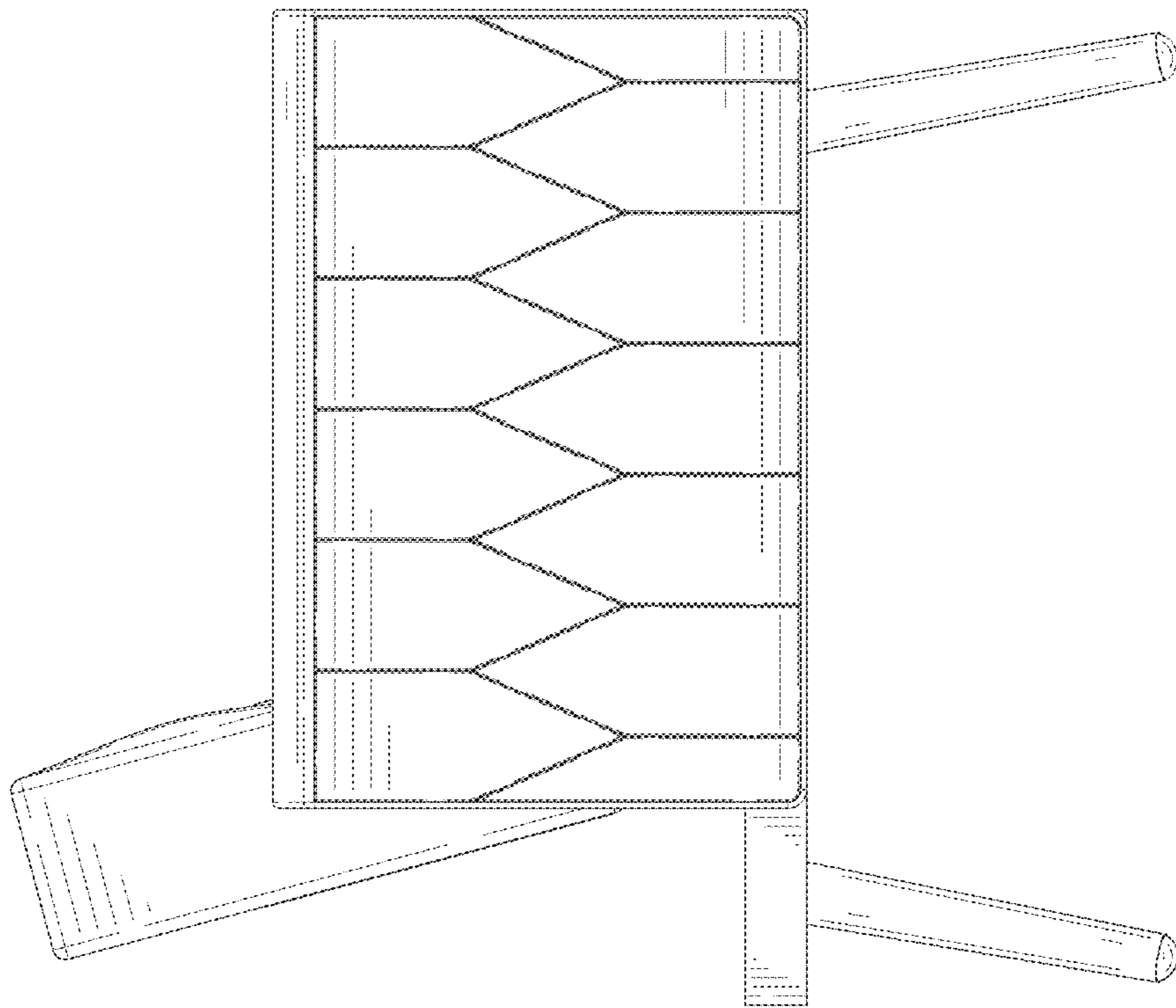


FIG. 14

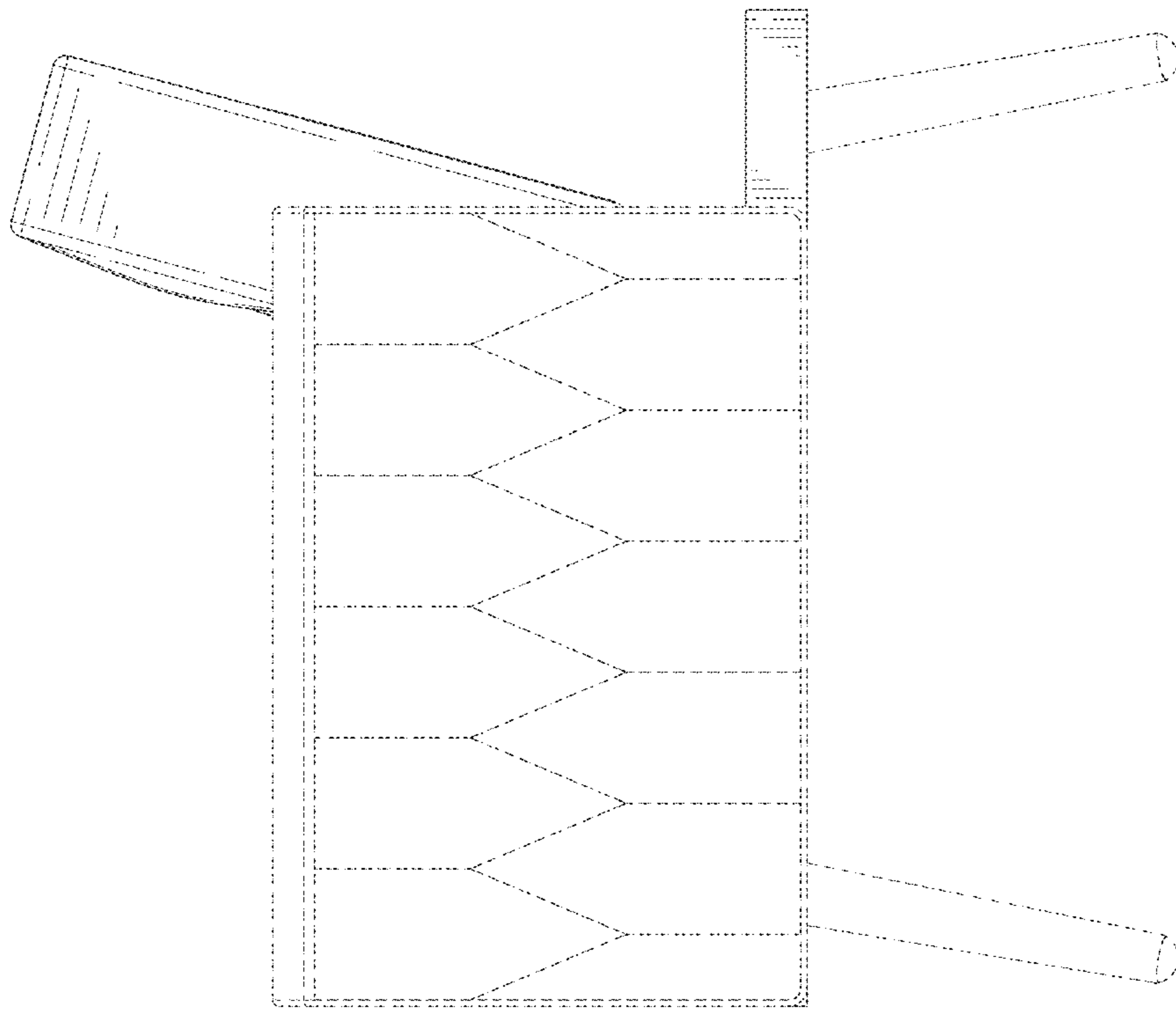


FIG. 15

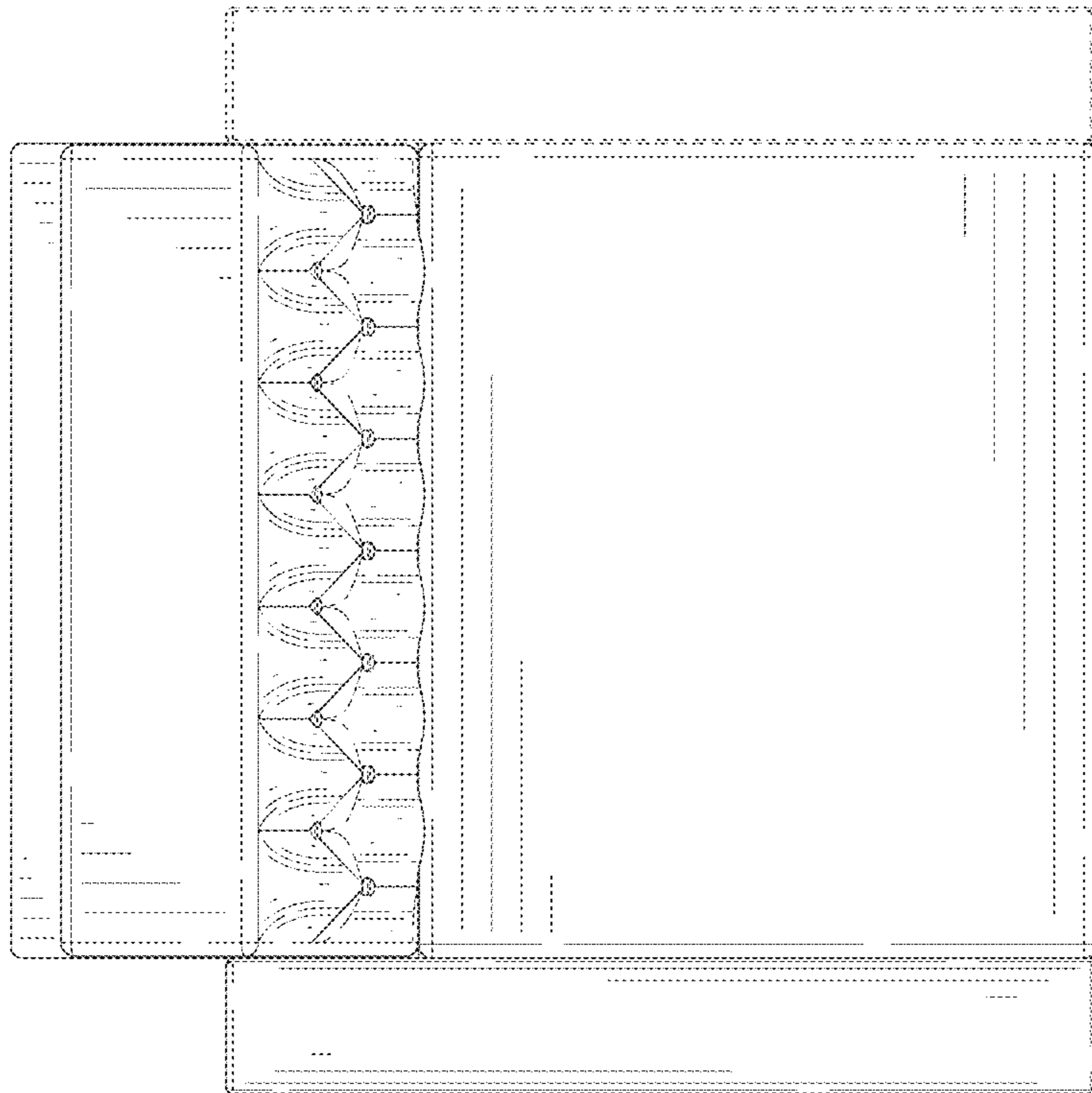


FIG. 16

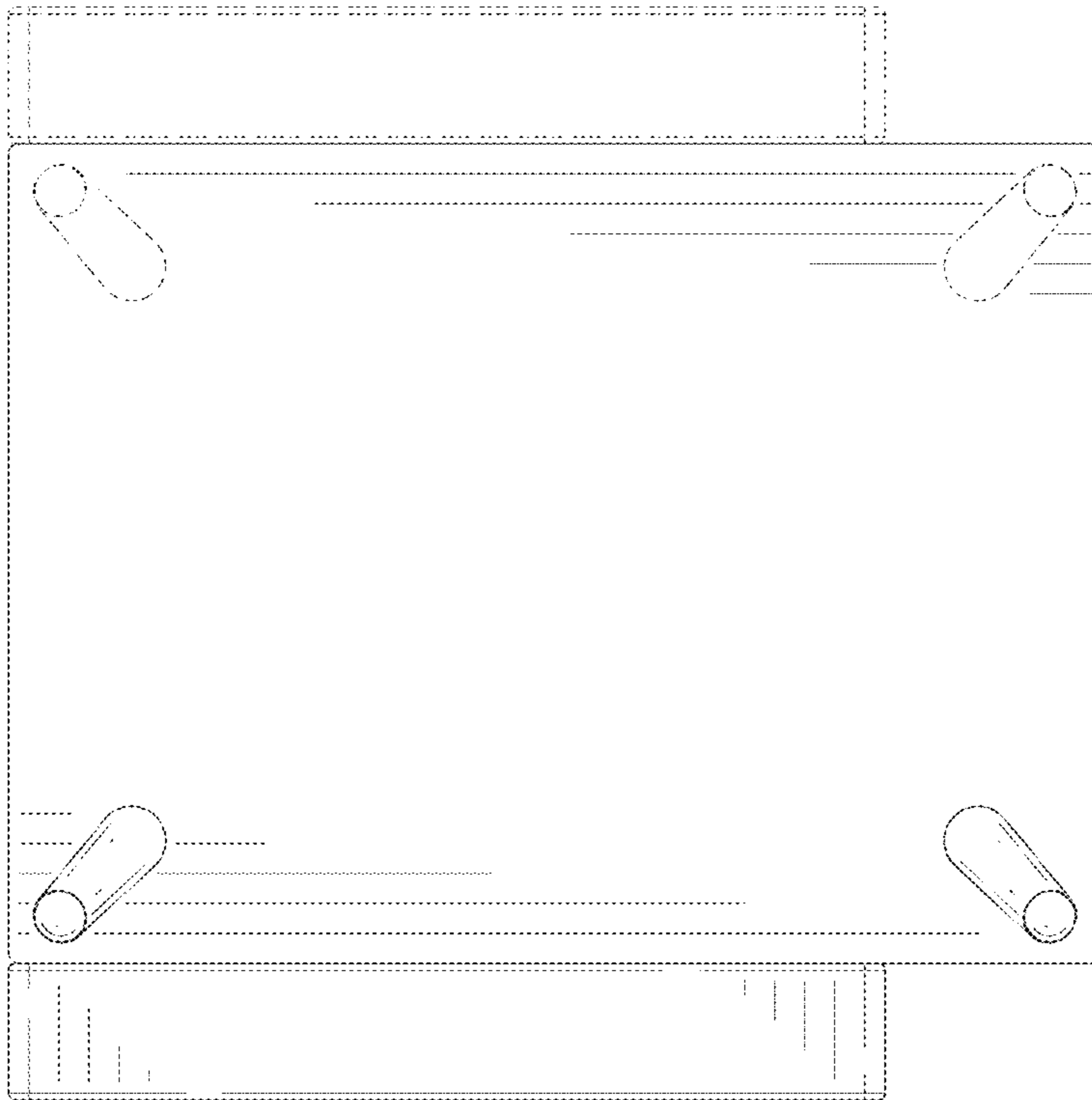


FIG. 17

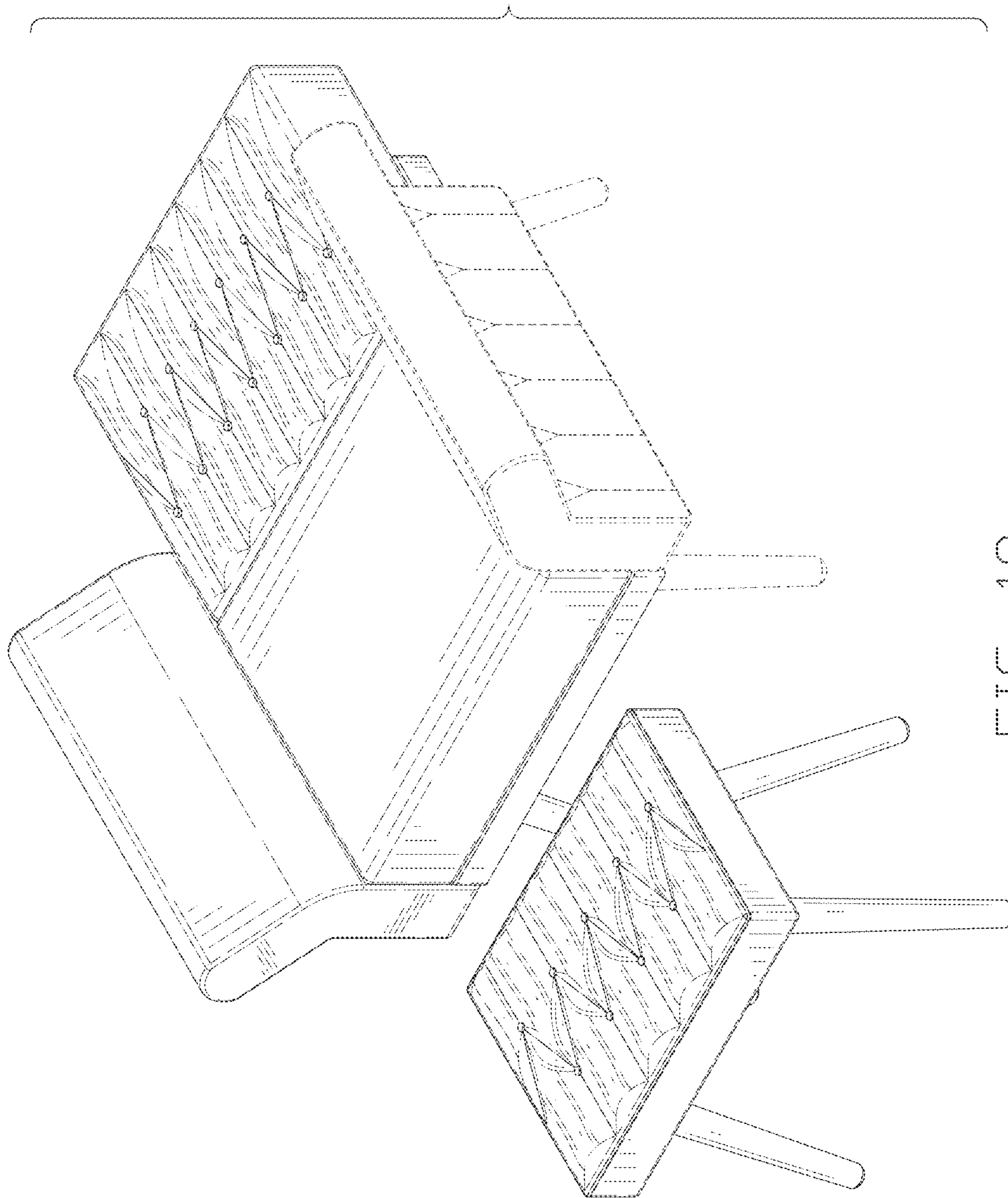


FIG. 18