



US00D983535S

(12) **United States Design Patent**  
**Tan**

(10) **Patent No.:** **US D983,535 S**

(45) **Date of Patent:** **\*\* Apr. 18, 2023**

(54) **VANITY MIRROR**

(71) Applicant: **Linping Tan**, Foshan (CN)

(72) Inventor: **Linping Tan**, Foshan (CN)

(\*\*) Term: **15 Years**

(21) Appl. No.: **29/849,775**

(22) Filed: **Aug. 15, 2022**

(30) **Foreign Application Priority Data**

Aug. 2, 2022 (CN) ..... 202230498038.1

(51) **LOC (14) Cl.** ..... **06-07**

(52) **U.S. Cl.**  
USPC ..... **D6/311**

(58) **Field of Classification Search**  
USPC ..... D6/300, 301, 302, 308, 309, 310, 311,  
D6/312, 313; D28/64.1, 64.3, 64.6, 64.7,  
D28/78, 82, 79, 84; D14/252, 253  
CPC ..... A47G 1/00; A47G 1/02; A47G 1/04  
See application file for complete search history.

(56) **References Cited**

**U.S. PATENT DOCUMENTS**

D506,074 S \* 6/2005 Chen ..... D6/300  
D745,511 S \* 12/2015 Lee ..... D14/371  
D750,066 S \* 2/2016 Lin ..... D14/371  
D779,835 S \* 2/2017 Zhang et al.  
D905,445 S \* 12/2020 Yang ..... D6/310

D916,470 S \* 4/2021 Liu ..... D6/300  
D925,238 S \* 7/2021 Yang ..... D6/312  
D925,239 S \* 7/2021 Cai ..... D6/312  
D933,974 S 10/2021 Choi  
D935,199 S \* 11/2021 Wang ..... D6/309  
D936,513 S \* 11/2021 Haller ..... D6/300  
D953,753 S \* 6/2022 Holzmann ..... D6/300  
D964,047 S \* 9/2022 Yang ..... D6/301  
D964,048 S \* 9/2022 Yang ..... D6/301

\* cited by examiner

*Primary Examiner* — Deanna L Pratt

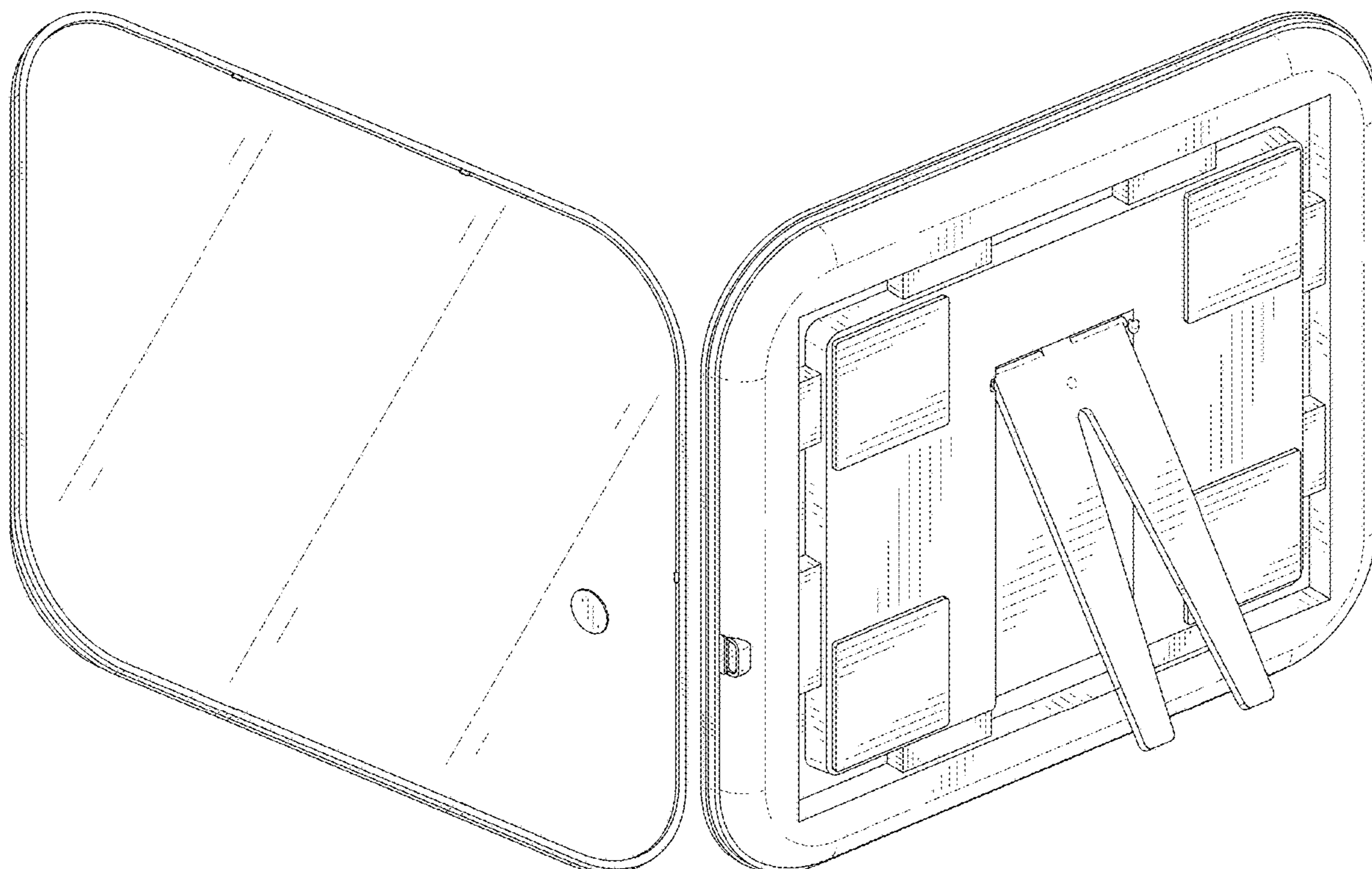
(57) **CLAIM**

The ornamental design for a vanity mirror, as shown and described.

**DESCRIPTION**

FIG. 1 is a perspective view of a vanity mirror showing my new design;  
FIG. 2 is another perspective view thereof;  
FIG. 3 is a front elevational view thereof;  
FIG. 4 is a rear elevational view thereof;  
FIG. 5 is a left side elevational view thereof;  
FIG. 6 is a right side elevational view thereof;  
FIG. 7 is a top plan view thereof;  
FIG. 8 is a bottom plan view thereof;  
FIG. 9 is a perspective view of the vanity mirror where the vanity mirror is in a configuration of use; and,  
FIG. 10 is an exploded perspective view of the vanity mirror. The broken lines in the drawings depict portions of the vanity mirror that form no part of the claimed design.

**1 Claim, 10 Drawing Sheets**



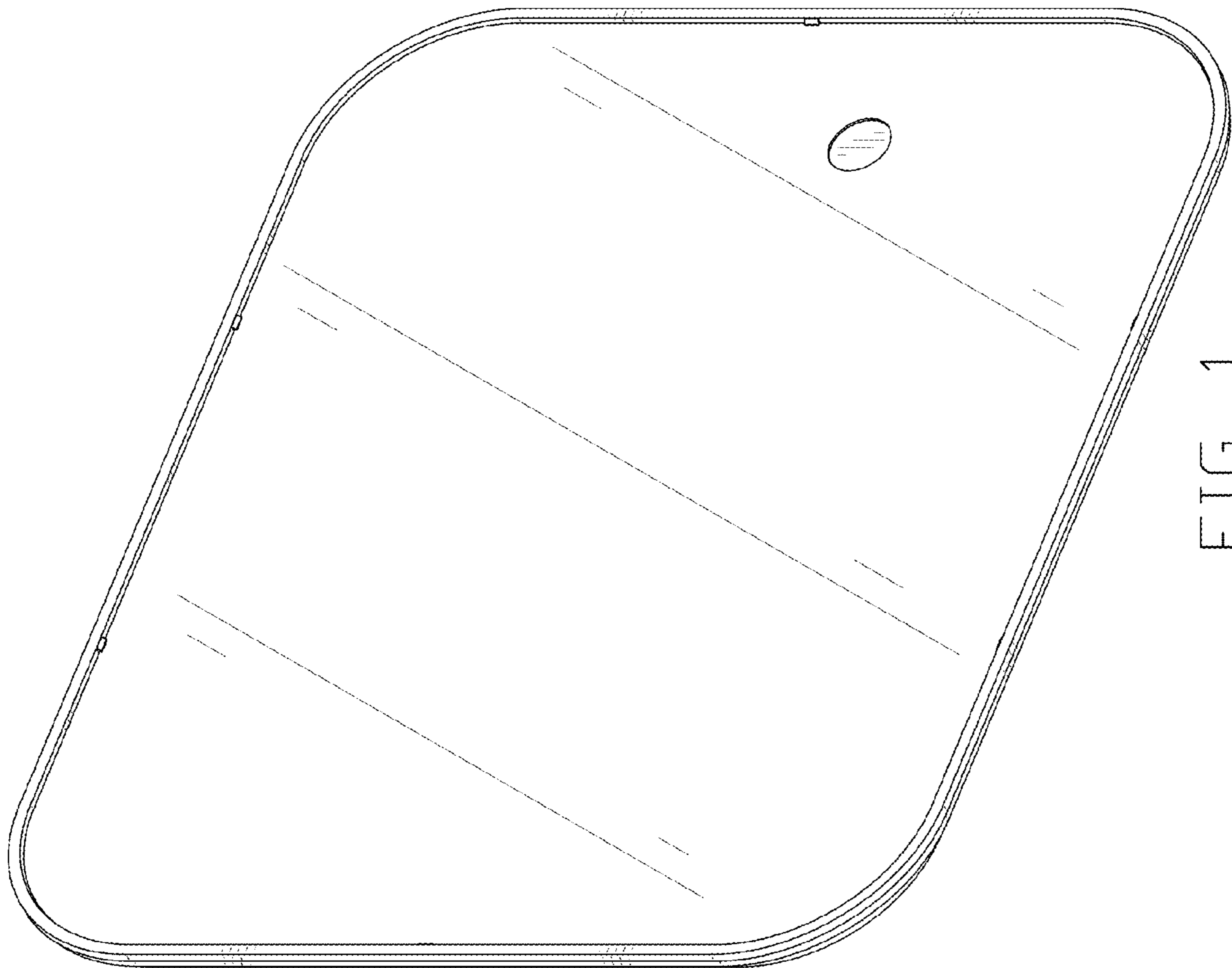


FIG. 1

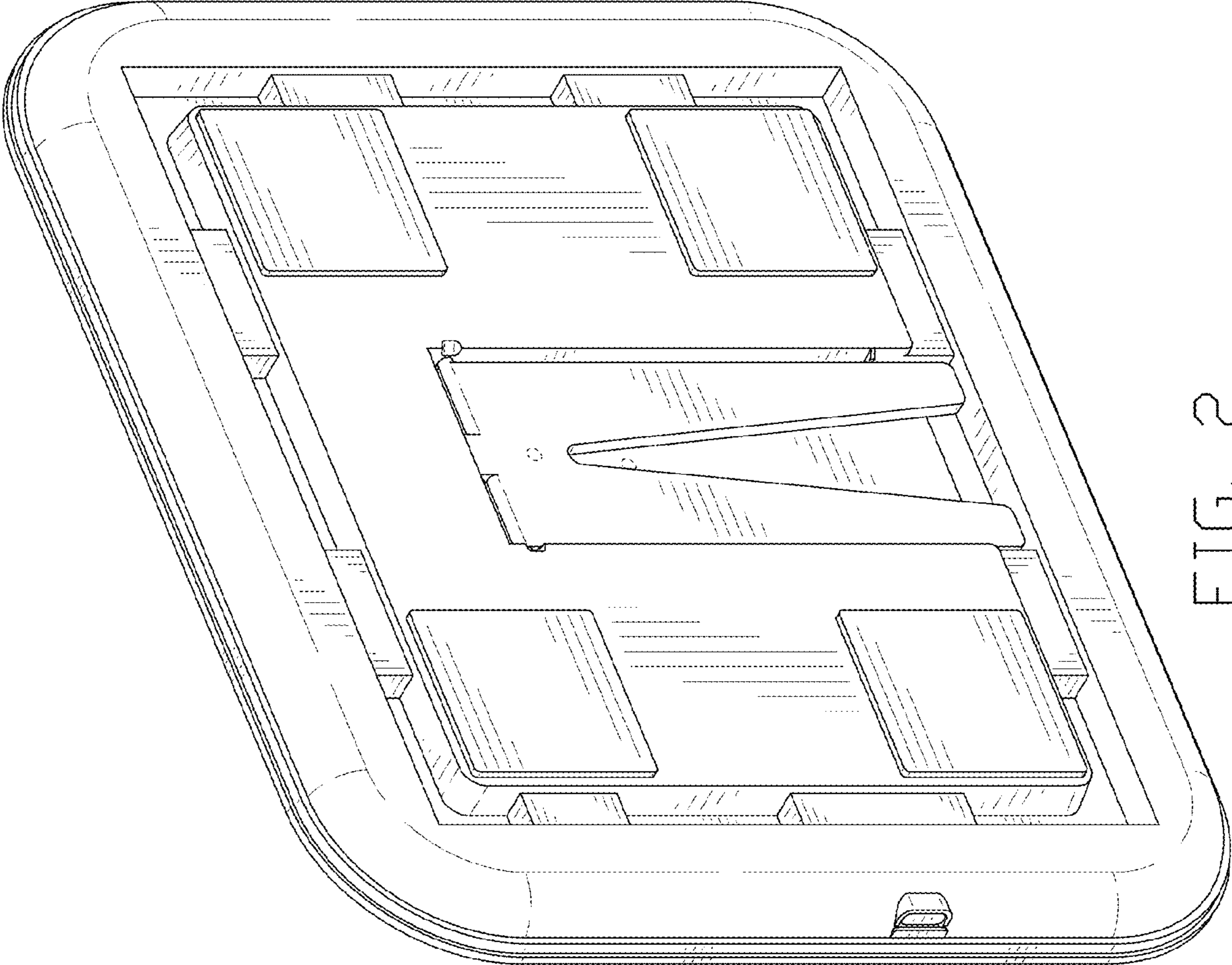


FIG. 2

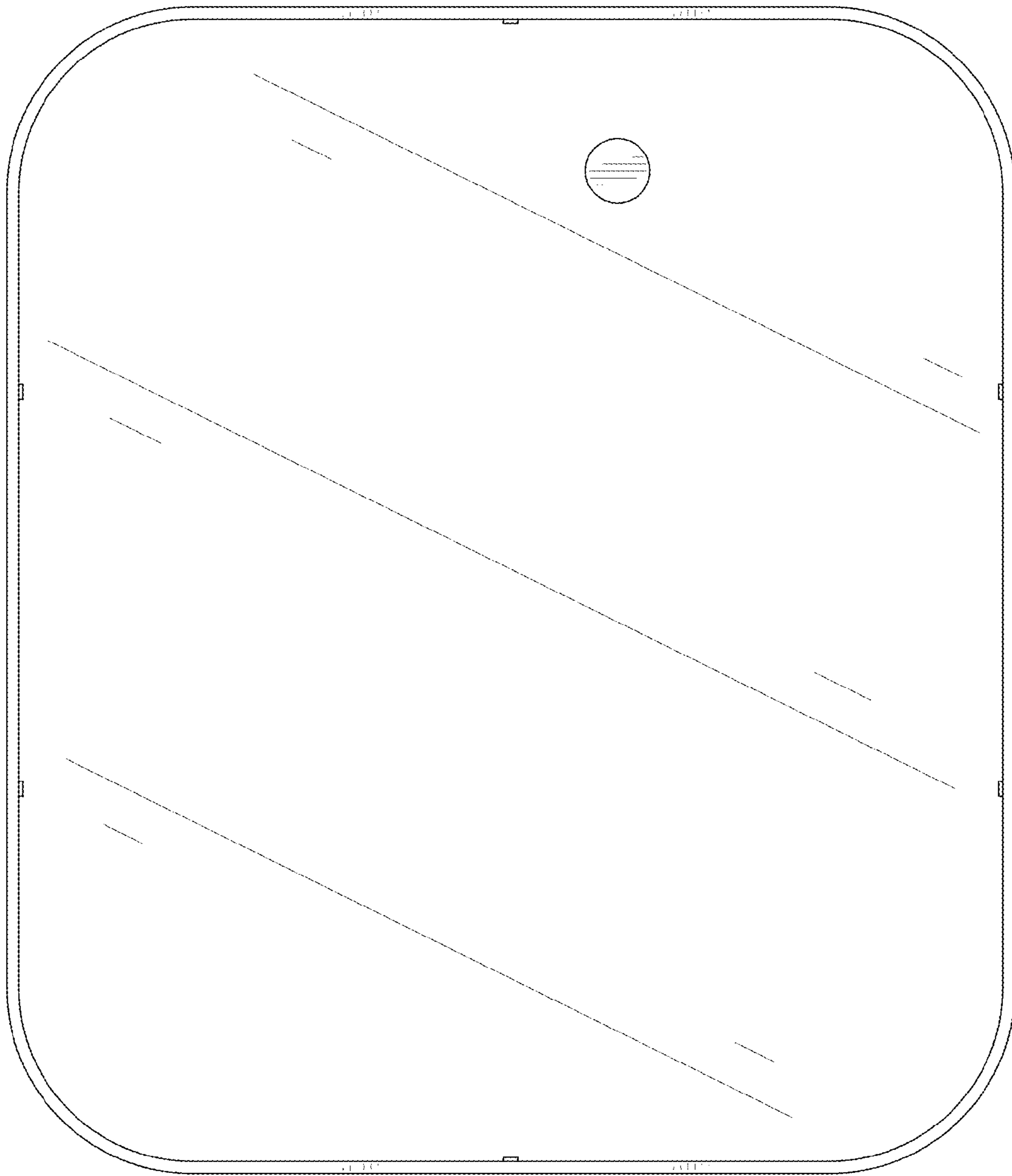


FIG. 3

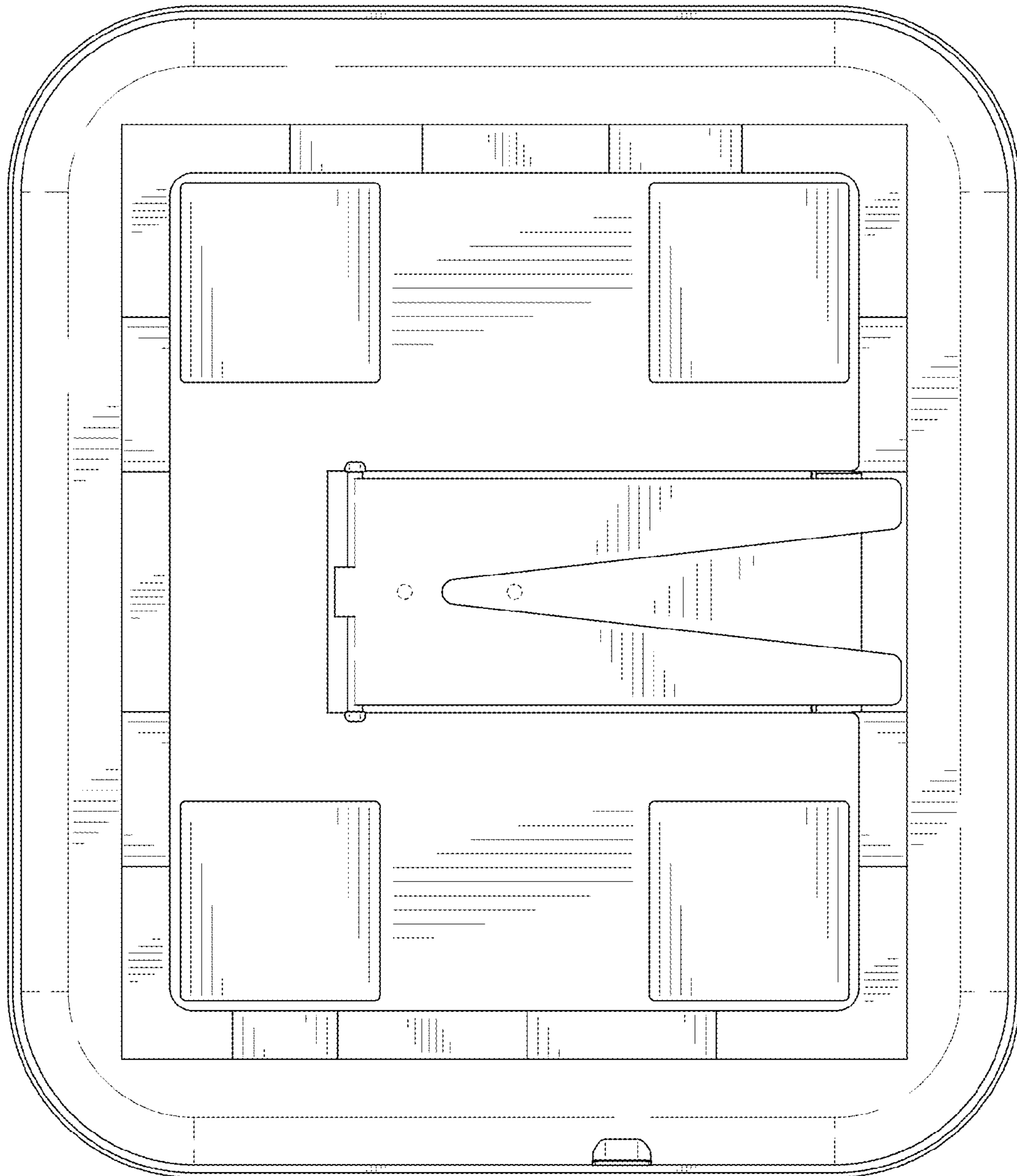


FIG. 4

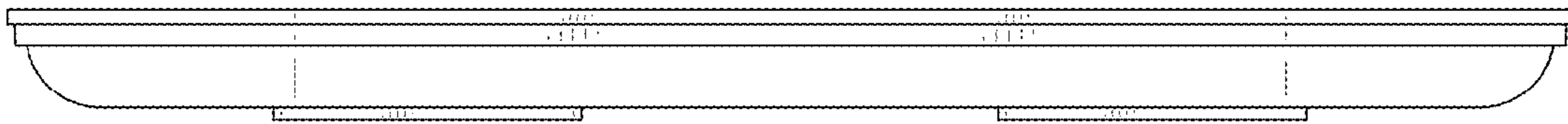


FIG. 5

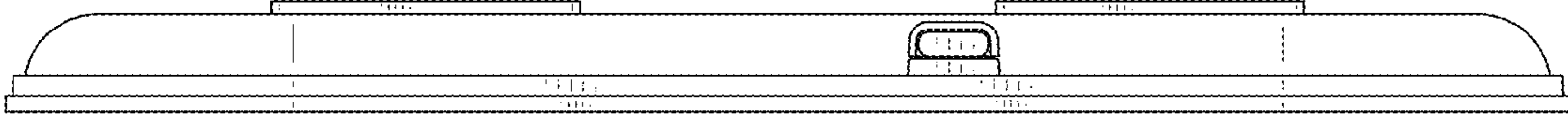


FIG. 6

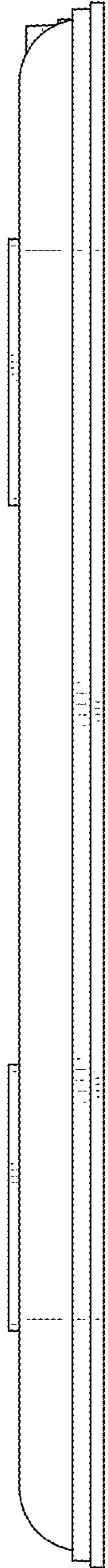


FIG. 7



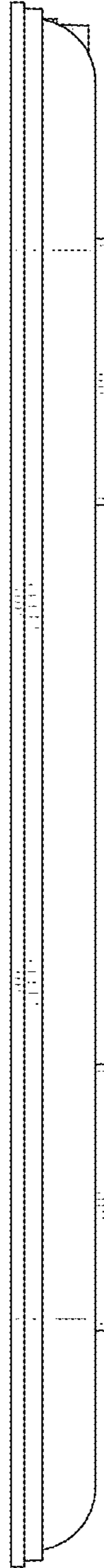


FIG. 8

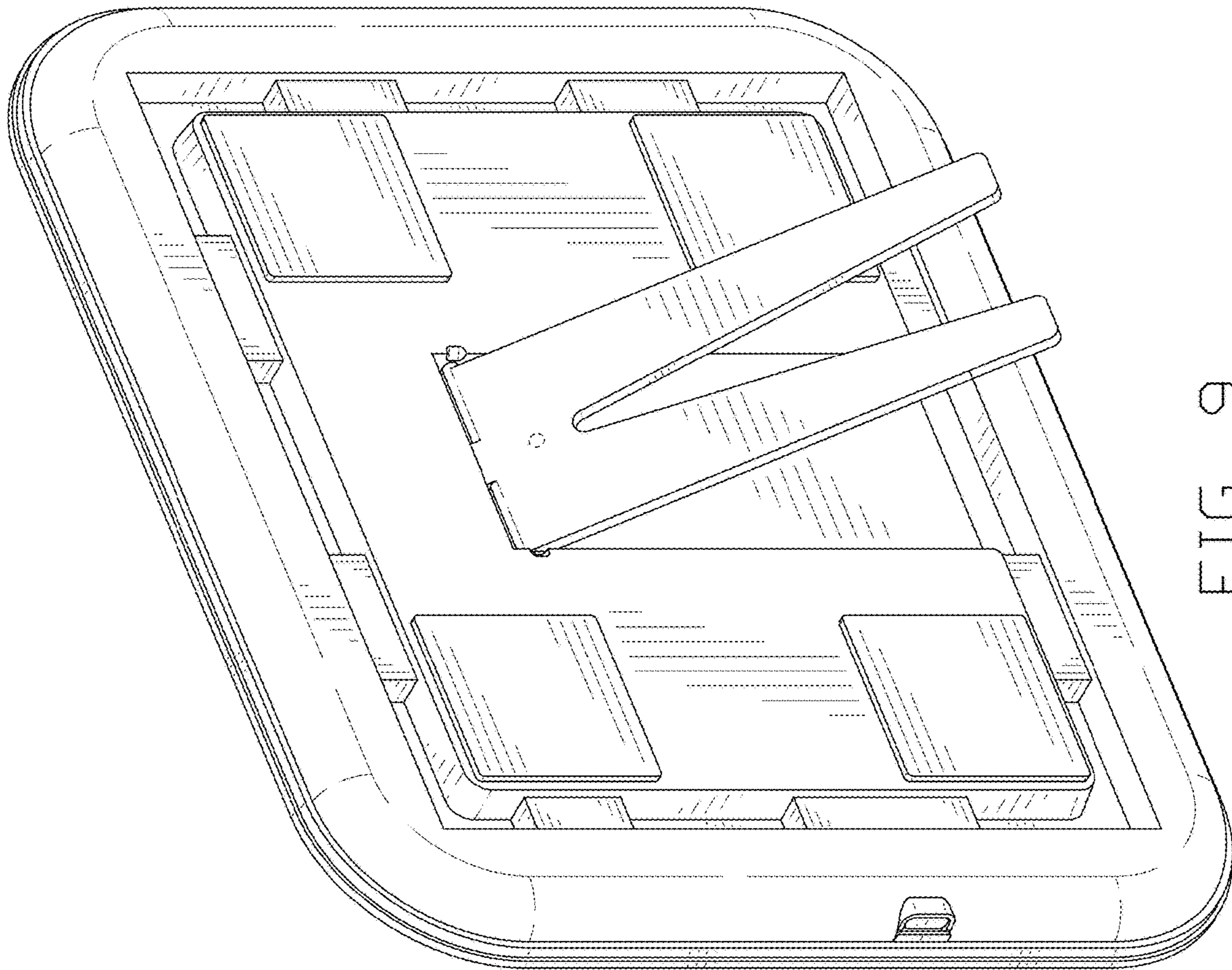


FIG. 9

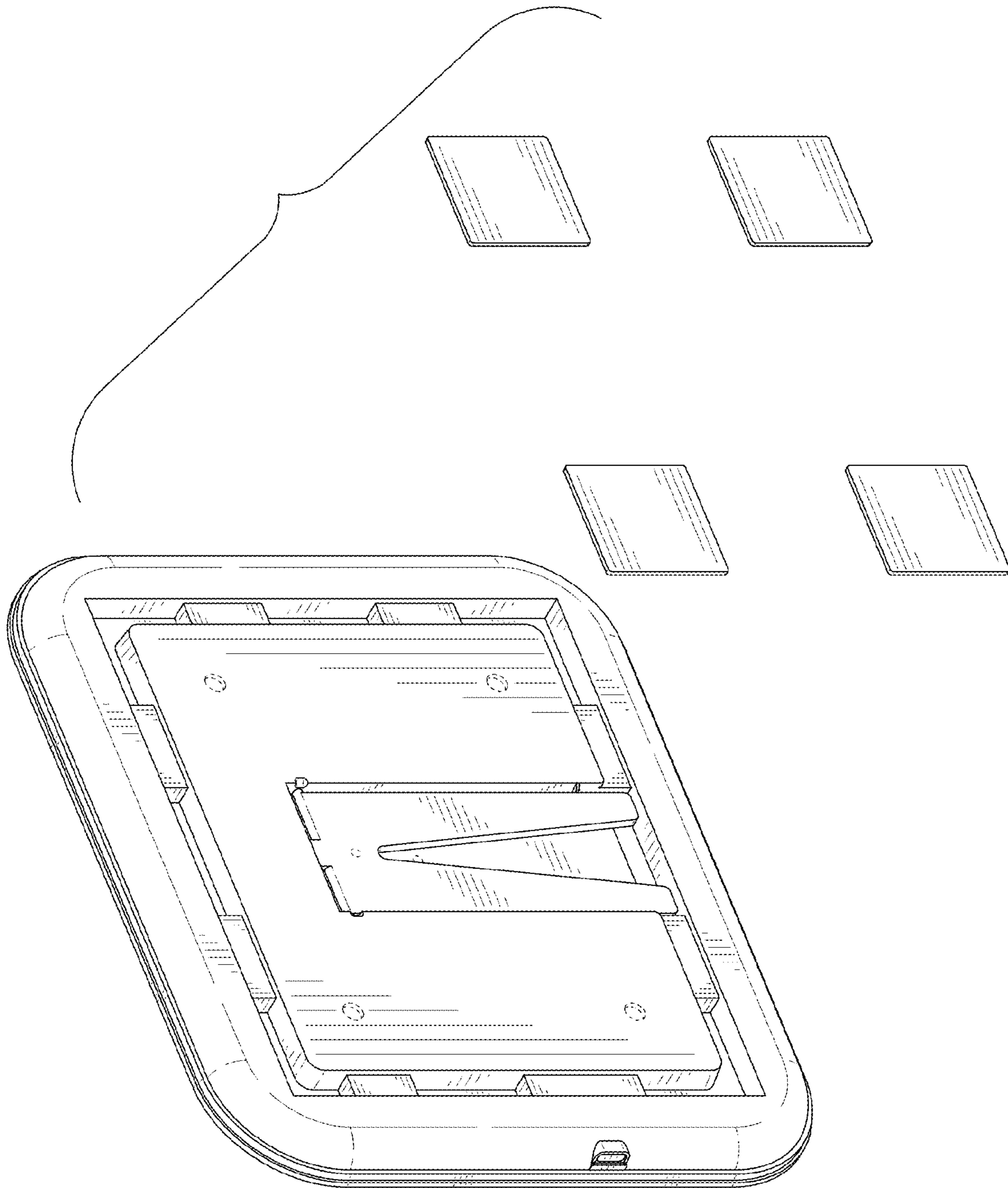


FIG. 10